

US00D966410S

(12) **United States Design Patent**
Li et al.

(10) **Patent No.:** **US D966,410 S**
(45) **Date of Patent:** **** Oct. 11, 2022**

- (54) **WRITING BOARD WITH PEN SET**
- (71) Applicants: **Zhitian Li**, Guangdong (CN); **Haican Zheng**, Guangdong (CN); **Lizhu Liu**, Guangdong (CN)
- (72) Inventors: **Zhitian Li**, Guangdong (CN); **Haican Zheng**, Guangdong (CN); **Lizhu Liu**, Guangdong (CN)
- (73) Assignee: **SHENZHEN ORSEN TECHNOLOGY CO., LTD**, Shenzhen (CN)
- (**) Term: **15 Years**
- (21) Appl. No.: **29/748,950**
- (22) Filed: **Sep. 2, 2020**
- (51) **LOC (13) Cl.** **19-06**
- (52) **U.S. Cl.**
USPC **D19/113**
- (58) **Field of Classification Search**
USPC D21/329, 350, 468, 469; D14/305, 322, D14/334-347, 403, 440; D19/113
CPC B43L 5/02; B43L 5/00; B43L 1/00
See application file for complete search history.

D893,497 S *	8/2020	Li	D14/440
D912,677 S *	3/2021	Li	D14/440
D928,230 S *	8/2021	Li	D19/113
D933,053 S *	10/2021	Sun	D14/250
D933,622 S *	10/2021	Li	D14/371
D946,654 S *	3/2022	Tao	D19/113
D947,176 S *	3/2022	Wu	D14/341

FOREIGN PATENT DOCUMENTS

CN	304408420	*	12/2017
CN	304572629	*	4/2018

OTHER PUBLICATIONS

Derabika LCD Writing Tablet, eBay, no date published, date retrieved from internet Apr. 2, 2022—29748950—<http://ebay.to/3LEpQVrNo> (Year: 2022).*

8.5 Inch Santa LCD Writing Tablet, Bravokidstoy.com, no date published, date retrieved from internet Apr. 2, 2022—29748950—<https://bravokidstoy.com/products/santa-lcd-writing-tablet> (Year: 2022).*

* cited by examiner

Primary Examiner — Jennifer L Rempfer
Assistant Examiner — Danielle Nichole Bowly
(74) *Attorney, Agent, or Firm* — Georgi Korobanov

(57) **CLAIM**

The ornamental design for a writing board with pen set, as shown and described.

DESCRIPTION

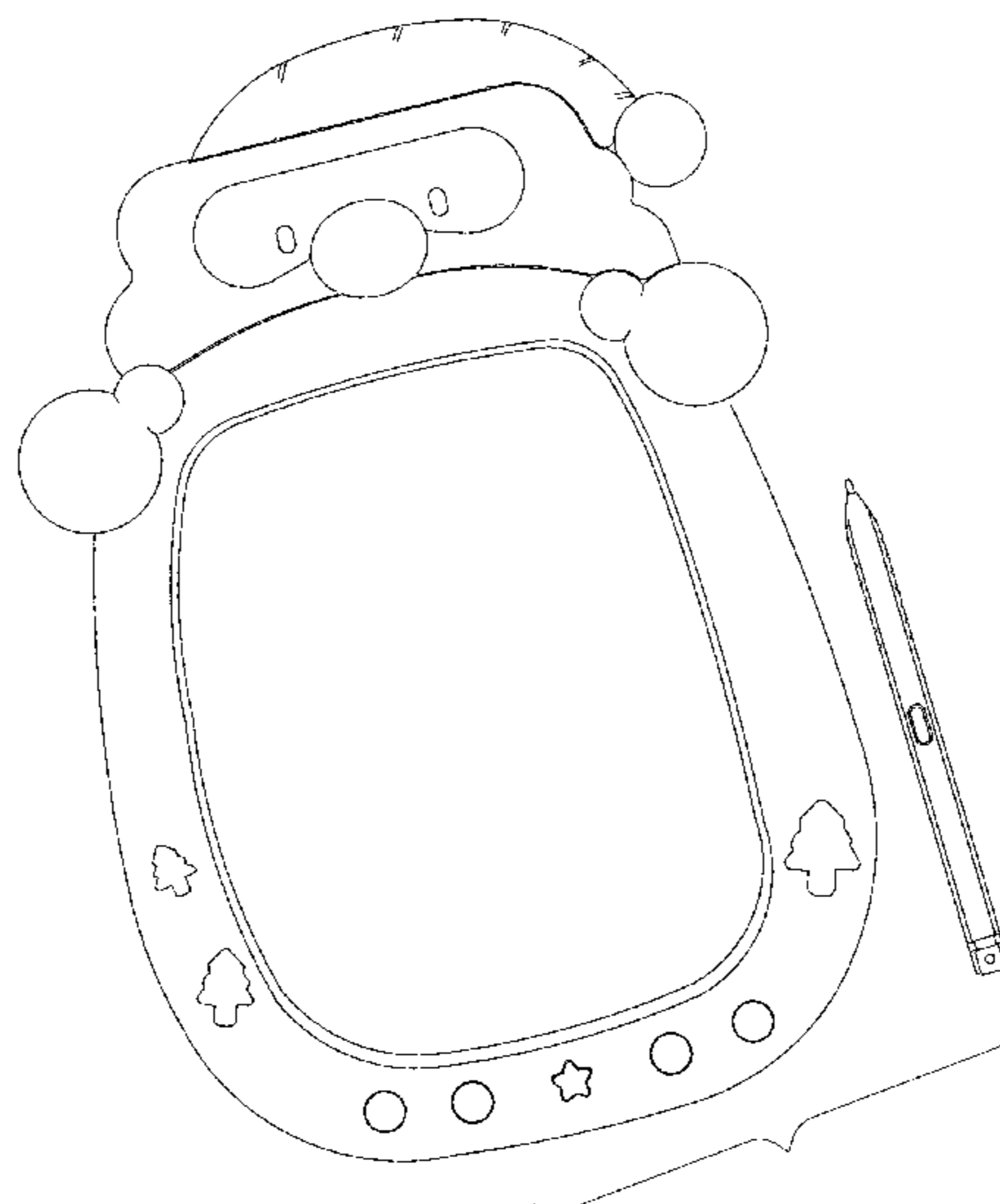
FIG. 1 is a front perspective view of a writing board with pen set showing our new design;
FIG. 2 is a rear perspective view thereof;
FIG. 3 is a front elevational view thereof;
FIG. 4 is a rear elevational view thereof;
FIG. 5 is a left side elevational view thereof;
FIG. 6 is a right side elevational view thereof; and,
FIG. 7 is a bottom plan view thereof.

1 Claim, 6 Drawing Sheets

(56) **References Cited**

U.S. PATENT DOCUMENTS

D369,190 S *	4/1996	Feiz	D21/329
D406,613 S *	3/1999	Nakanishi	D21/329
D443,304 S *	6/2001	Mak	D21/469
D495,705 S *	9/2004	Borsboom	D14/371
D496,360 S *	9/2004	Borsboom	D14/371
D533,850 S *	12/2006	Hoehn	D14/126
D711,865 S *	8/2014	Smith	D14/250
D719,575 S *	12/2014	Elliott	D14/440
D719,957 S *	12/2014	Elliott	D14/440
D752,055 S *	3/2016	Aryeh	D14/447
D753,102 S *	4/2016	Chen	D14/341
D810,751 S *	2/2018	Aryeh	D14/440
D879,105 S *	3/2020	Li	D14/440



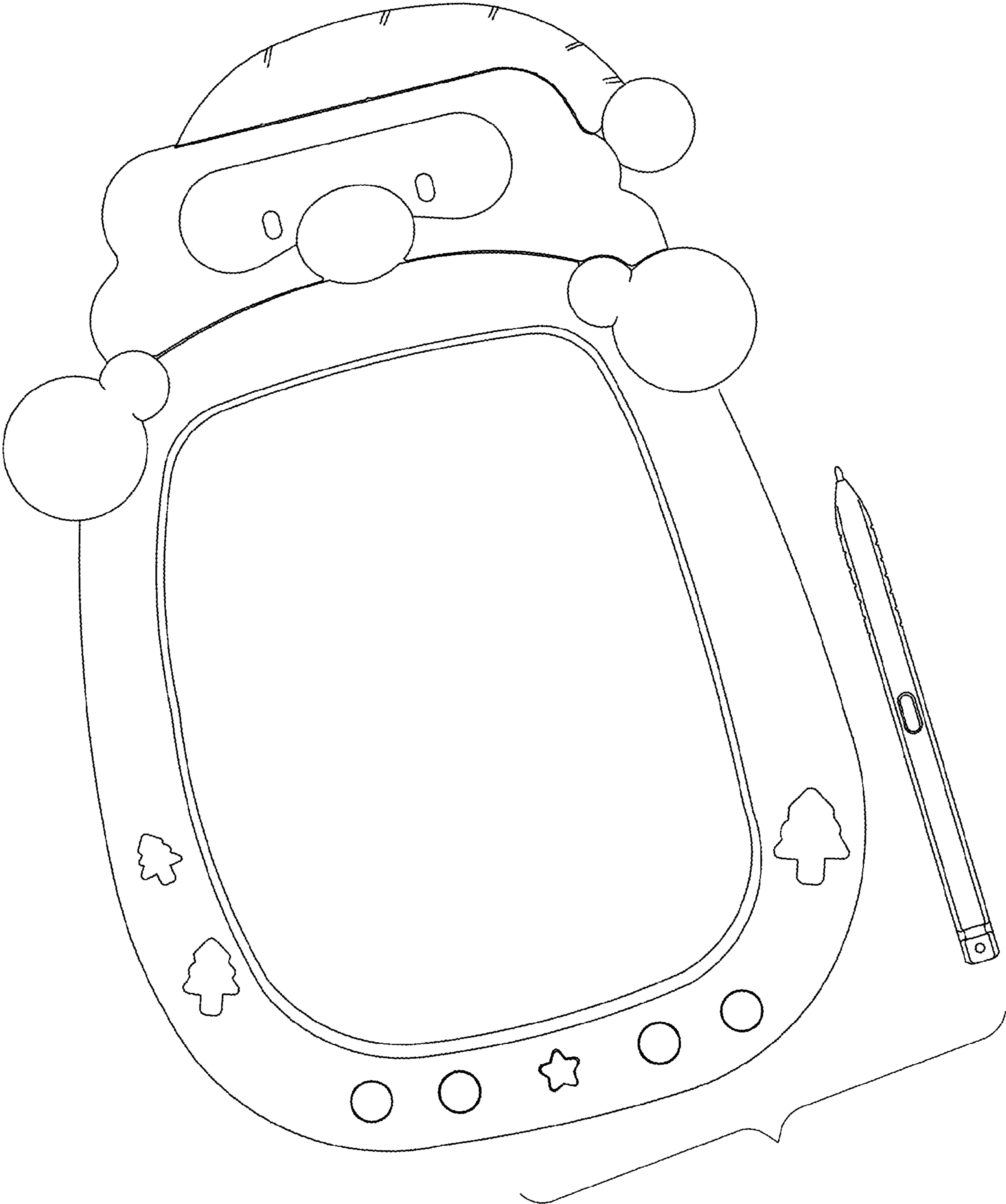


FIG.1

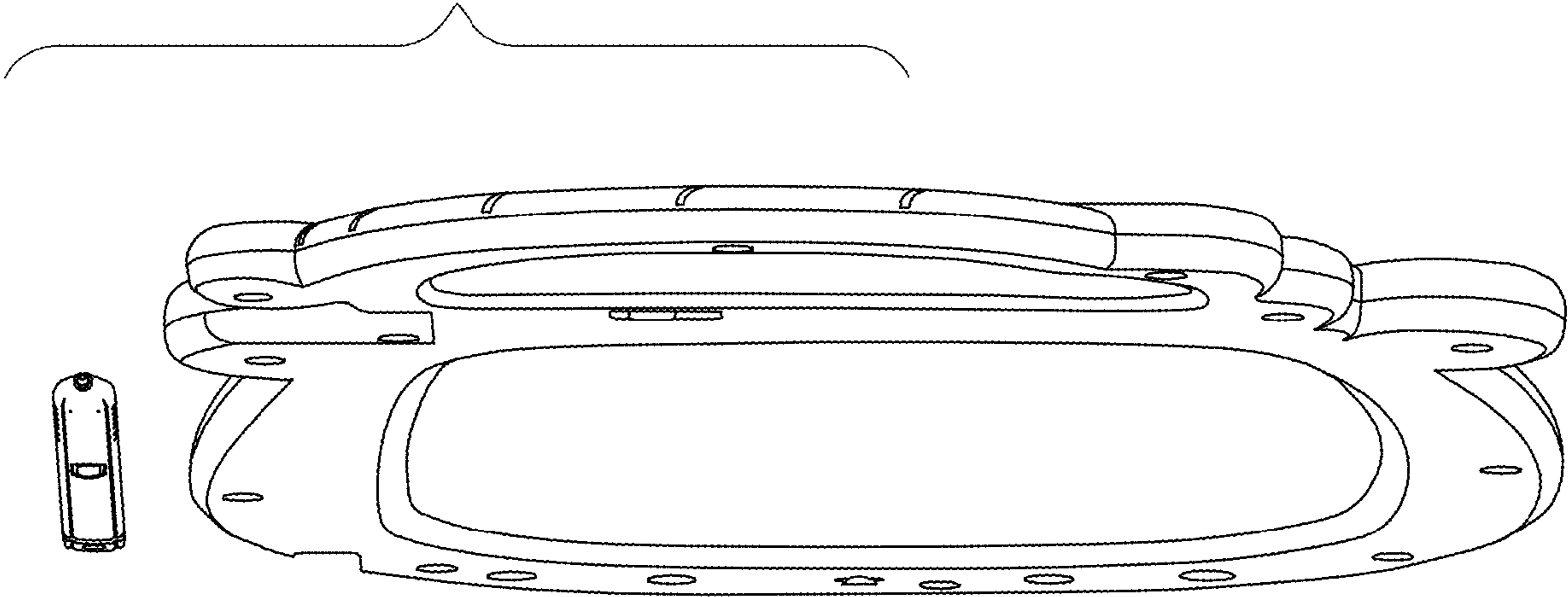


FIG.2

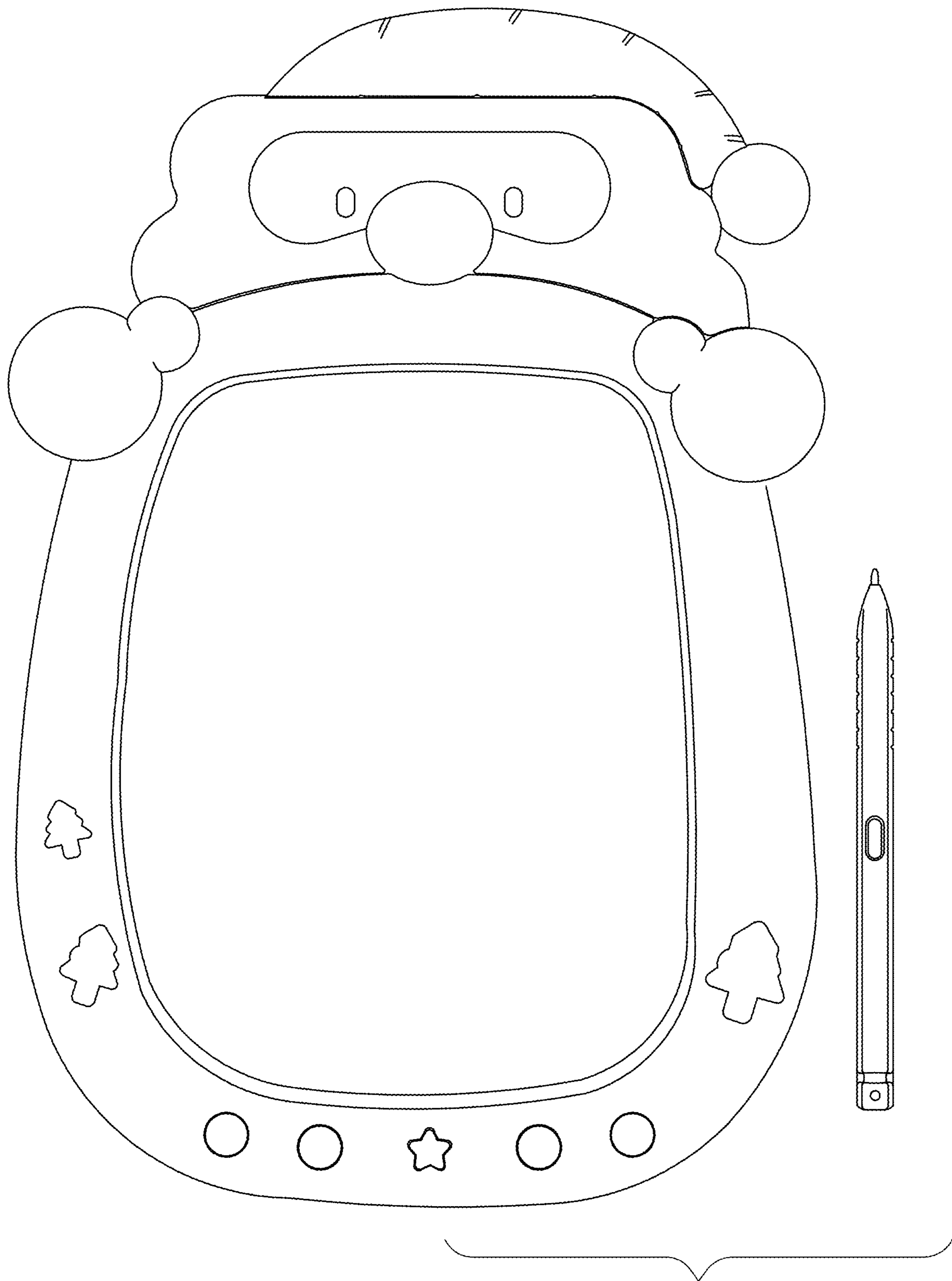


FIG.3

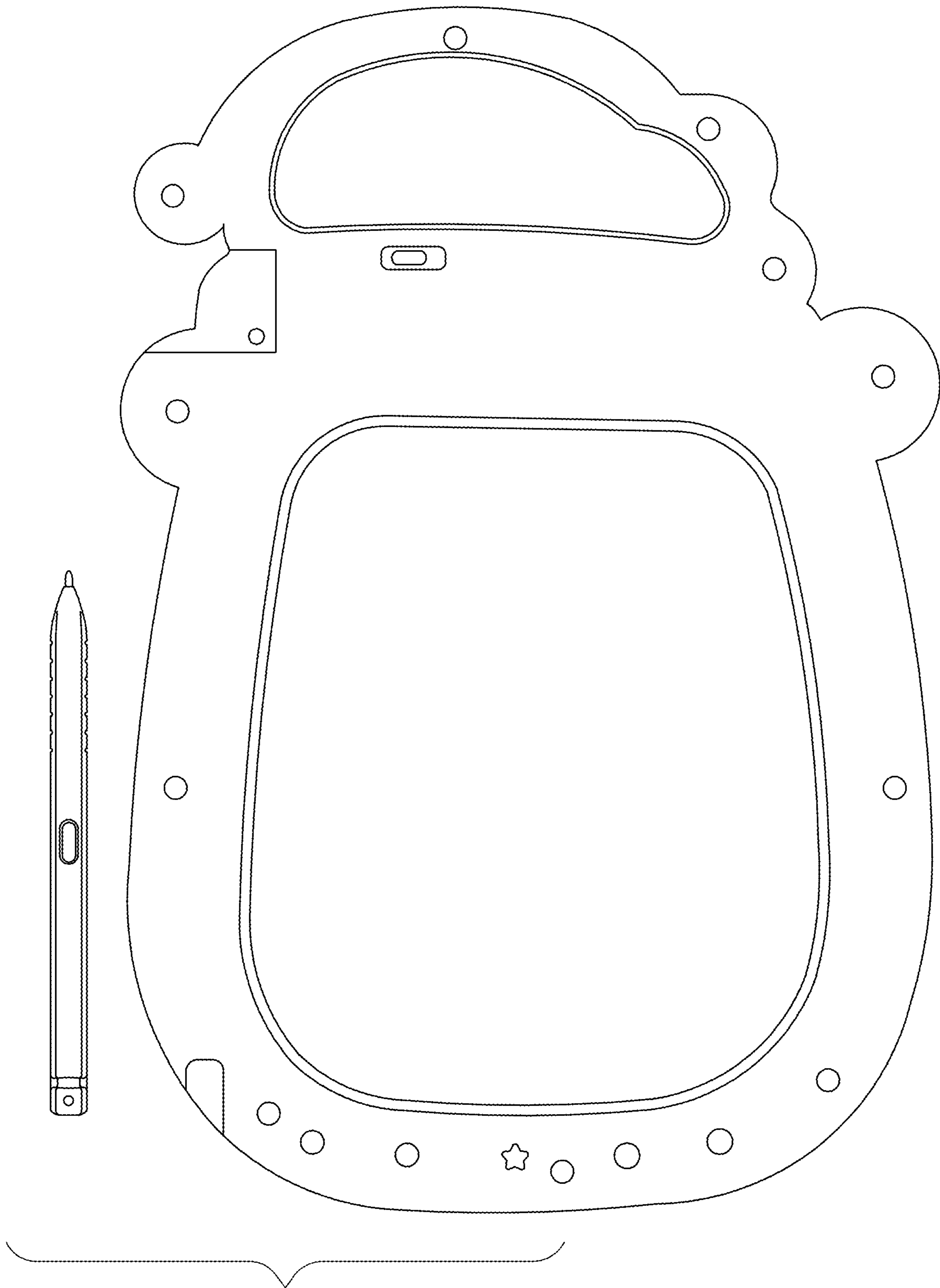


FIG.4

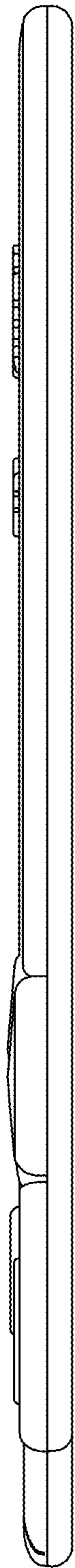


FIG. 5

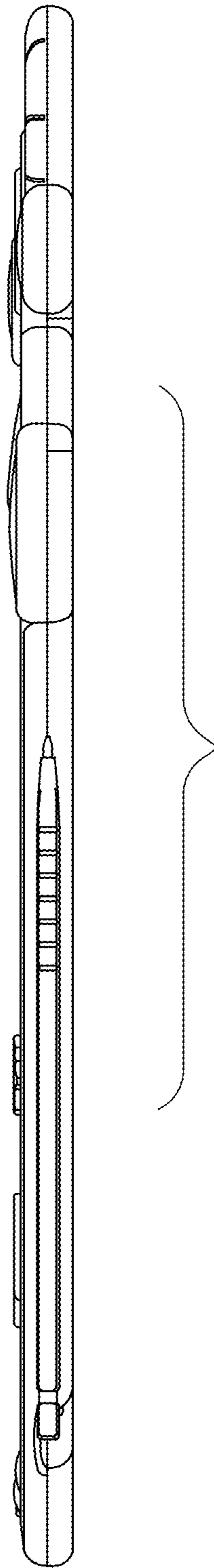


FIG. 6

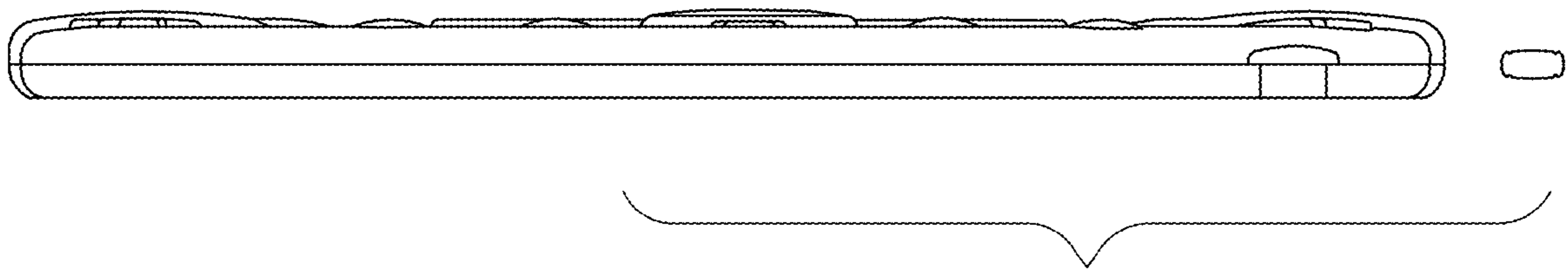


FIG.7