



US00D966405S

(12) **United States Design Patent** (10) **Patent No.:** **US D966,405 S**  
**Inada** (45) **Date of Patent:** **\*\* Oct. 11, 2022**

(54) **PRINTER**  
(71) Applicant: **BROTHER INDUSTRIES, LTD.,**  
Nagoya (JP)  
(72) Inventor: **Toshiya Inada,** Nagoya (JP)  
(73) Assignee: **BROTHER INDUSTRIES, LTD.,**  
Nagoya (JP)

D767,671 S \* 9/2016 Endo ..... D18/50  
D785,084 S \* 4/2017 Azegami ..... D18/50  
D818,039 S \* 5/2018 Tomomatsu ..... D18/50  
D855,692 S \* 8/2019 Eun ..... D18/50  
D870,806 S \* 12/2019 Ozawa ..... B41J 15/042  
D18/50  
D892,919 S \* 8/2020 Nakatani ..... D18/50  
D897,421 S \* 9/2020 Chida ..... D18/19  
D942,535 S \* 2/2022 Wang ..... D18/50

(\*\*) Term: **15 Years**  
(21) Appl. No.: **29/722,387**  
(22) Filed: **Jan. 29, 2020**

**FOREIGN PATENT DOCUMENTS**

JP D1559667 \* 9/2019

(30) **Foreign Application Priority Data**

Jul. 29, 2019 (JP) ..... 2019-016839

(51) **LOC (13) Cl.** ..... **14-02**  
(52) **U.S. Cl.**  
USPC ..... **D18/53**

(58) **Field of Classification Search**  
USPC ..... D14/300, 301, 302, 303, 307, 308, 314,  
D14/321, 365, 445, 446; D18/4.1, 4.4,  
D18/4.6, 34.1, 6, 7, 14, 19, 34.3, 34.7,  
D18/34.8, 34.9, 36, 37, 38, 39, 46, 47,  
D18/48, 49, 50, 53, 54, 55, 56  
CPC .... H04N 1/00278; B26D 1/045; B26D 1/065;  
B41J 15/044; B41J 2/1752; B41J 29/02;  
G06F 3/02

See application file for complete search history.

(56) **References Cited**

**U.S. PATENT DOCUMENTS**

D523,072 S \* 6/2006 Lee ..... D18/14  
D544,530 S \* 6/2007 Omuro ..... D18/50  
D678,403 S \* 3/2013 Seki ..... D18/50  
D694,318 S \* 11/2013 Jihoon ..... D18/50  
D732,607 S \* 6/2015 Backs ..... D18/50  
D766,360 S \* 9/2016 Takahashi ..... D18/50

**OTHER PUBLICATIONS**

Brother HL-L3290CDW Compact Digital Color Printer p. 12, 2018  
Amazon.com\_29722387-https://www.amazon.com/Brother-HL-  
L3290CDW-Providing-Convenient-Replenishment/dp/B07FN78LY5?  
th=1 (Year: 2018).\*

\* cited by examiner

*Primary Examiner* — Jennifer L Rempfer  
*Assistant Examiner* — Danielle Nichole Bowly  
(74) *Attorney, Agent, or Firm* — Oliff PLC

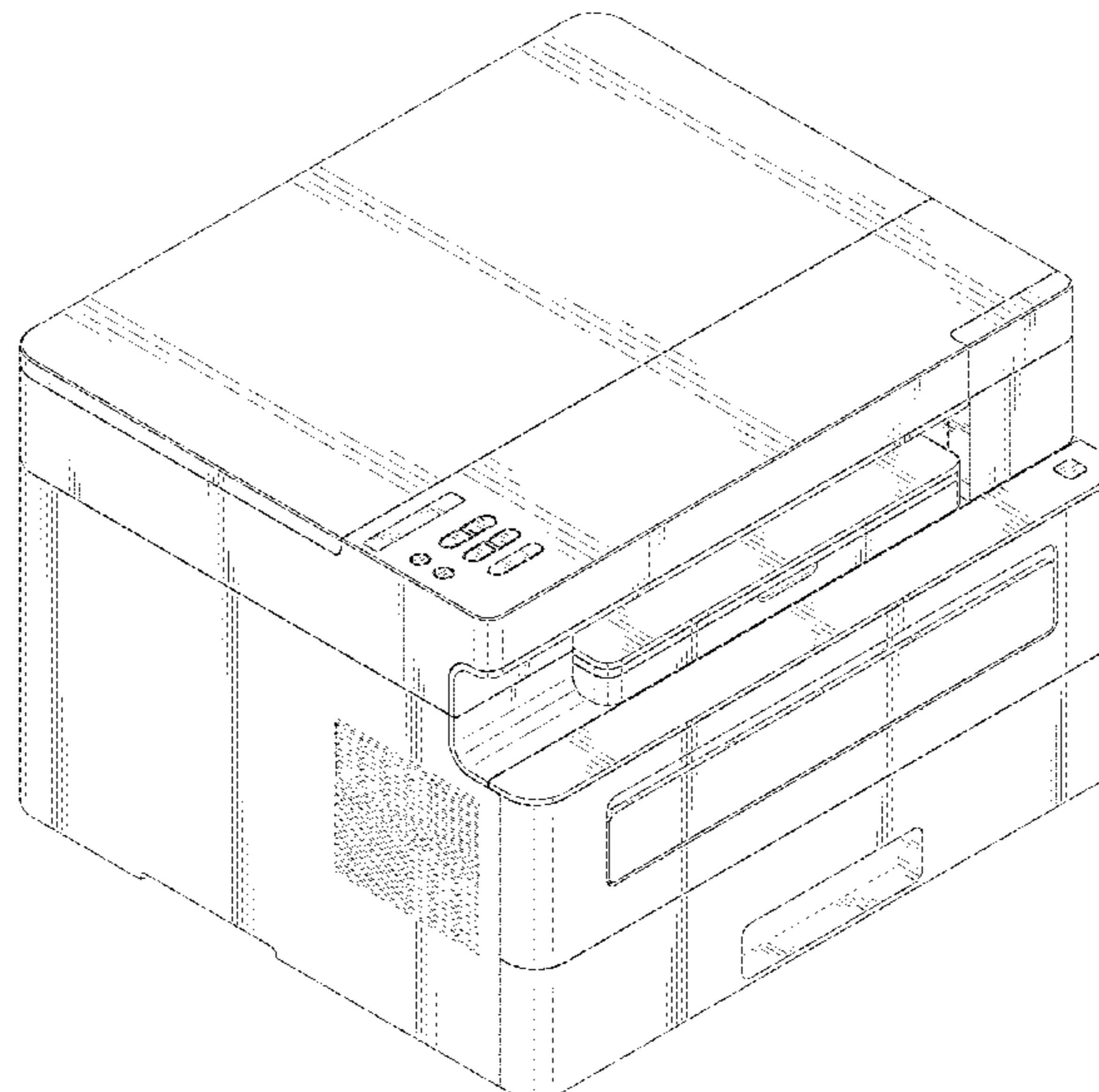
(57) **CLAIM**

The ornamental design for a printer, as shown and described.

**DESCRIPTION**

FIG. 1 is a perspective view of the printer;  
FIG. 2 is a front elevational view thereof;  
FIG. 3 is a rear elevational view thereof;  
FIG. 4 is a left-side elevational view thereof;  
FIG. 5 is a right-side elevational view thereof;  
FIG. 6 is a top plan view thereof; and,  
FIG. 7 is a bottom plan view thereof.  
The evenly spaced broken lines depict unclaimed parts of  
the printer and form no part of the claimed design.

**1 Claim, 7 Drawing Sheets**



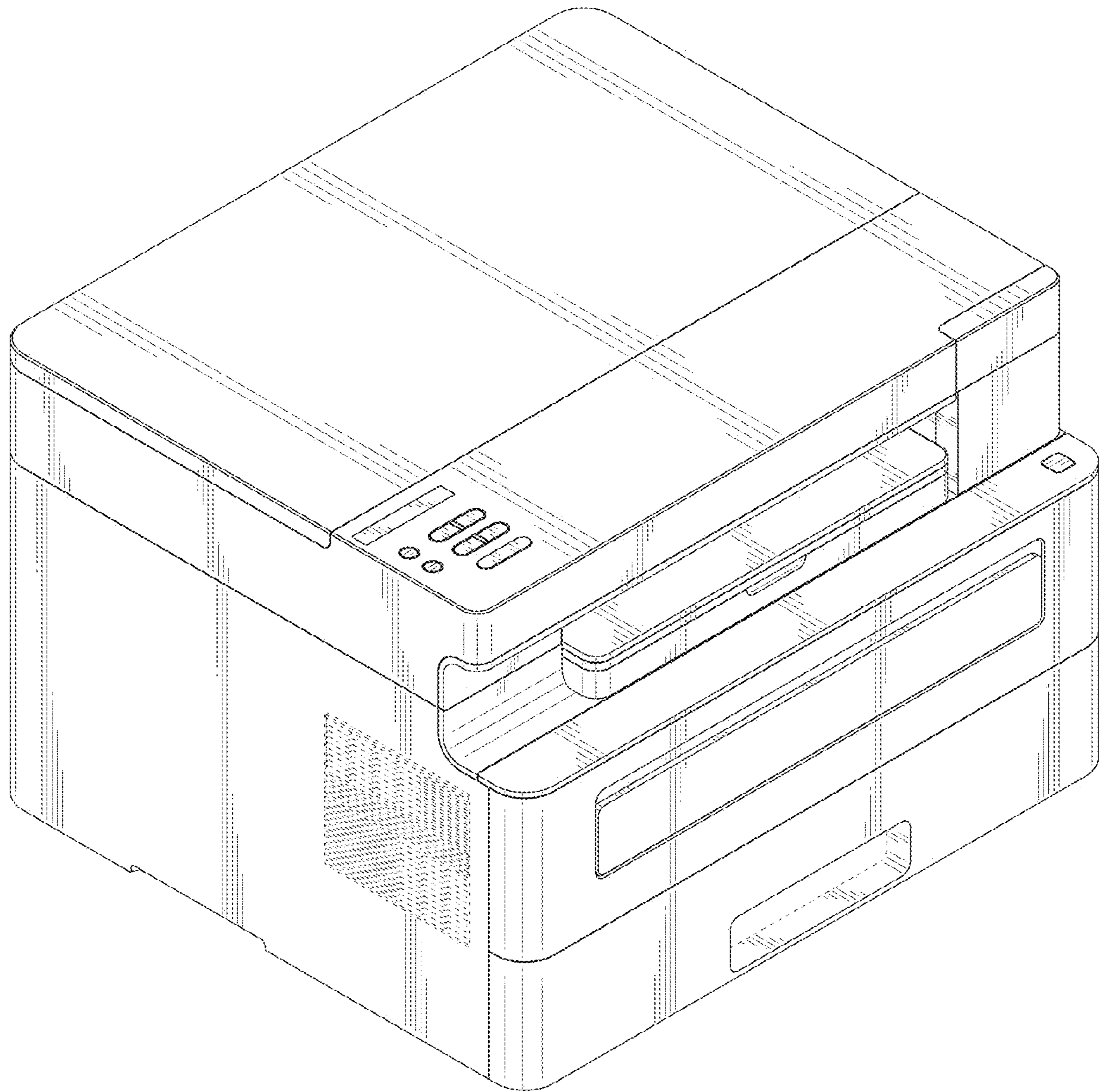


FIG. 1

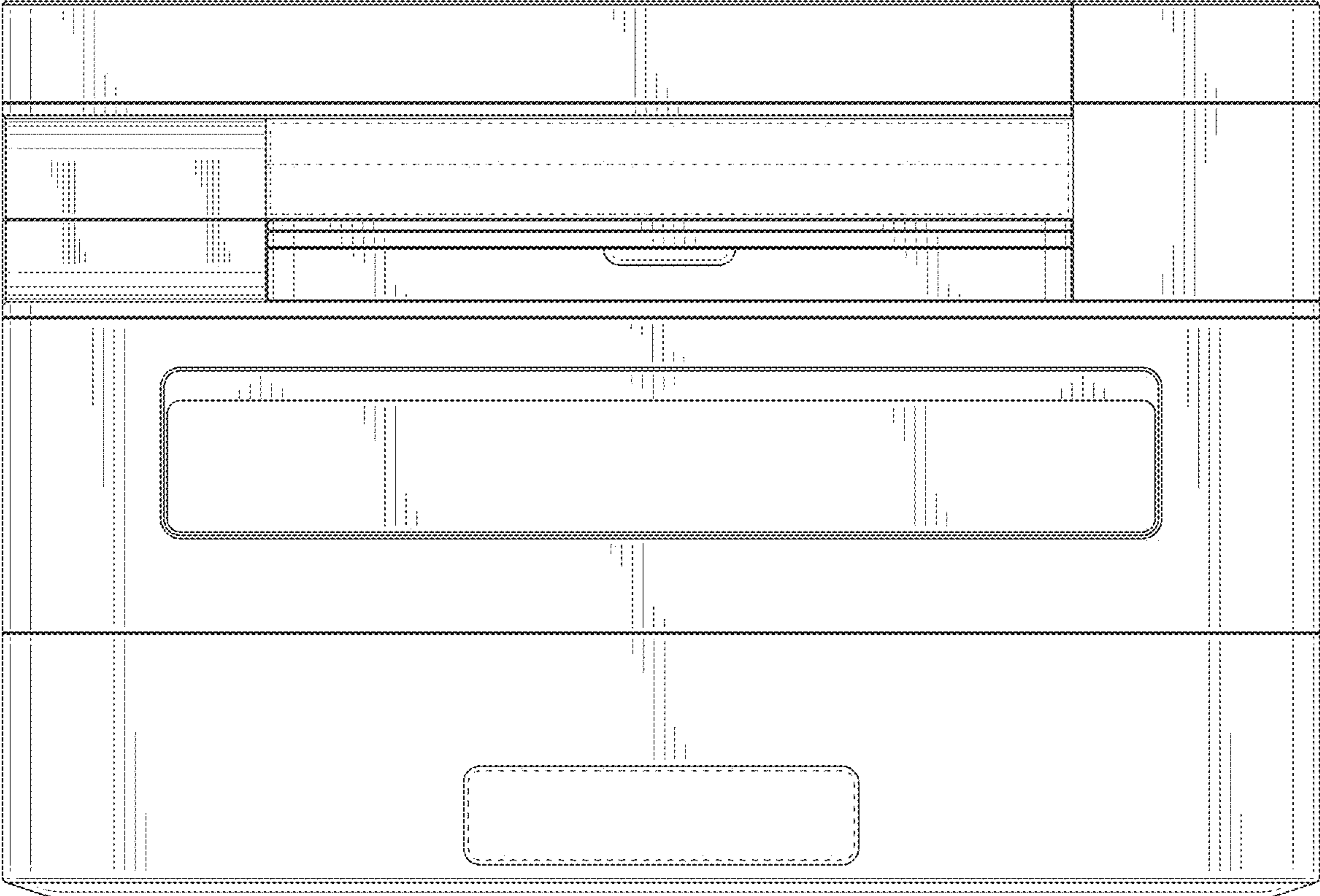


FIG. 2

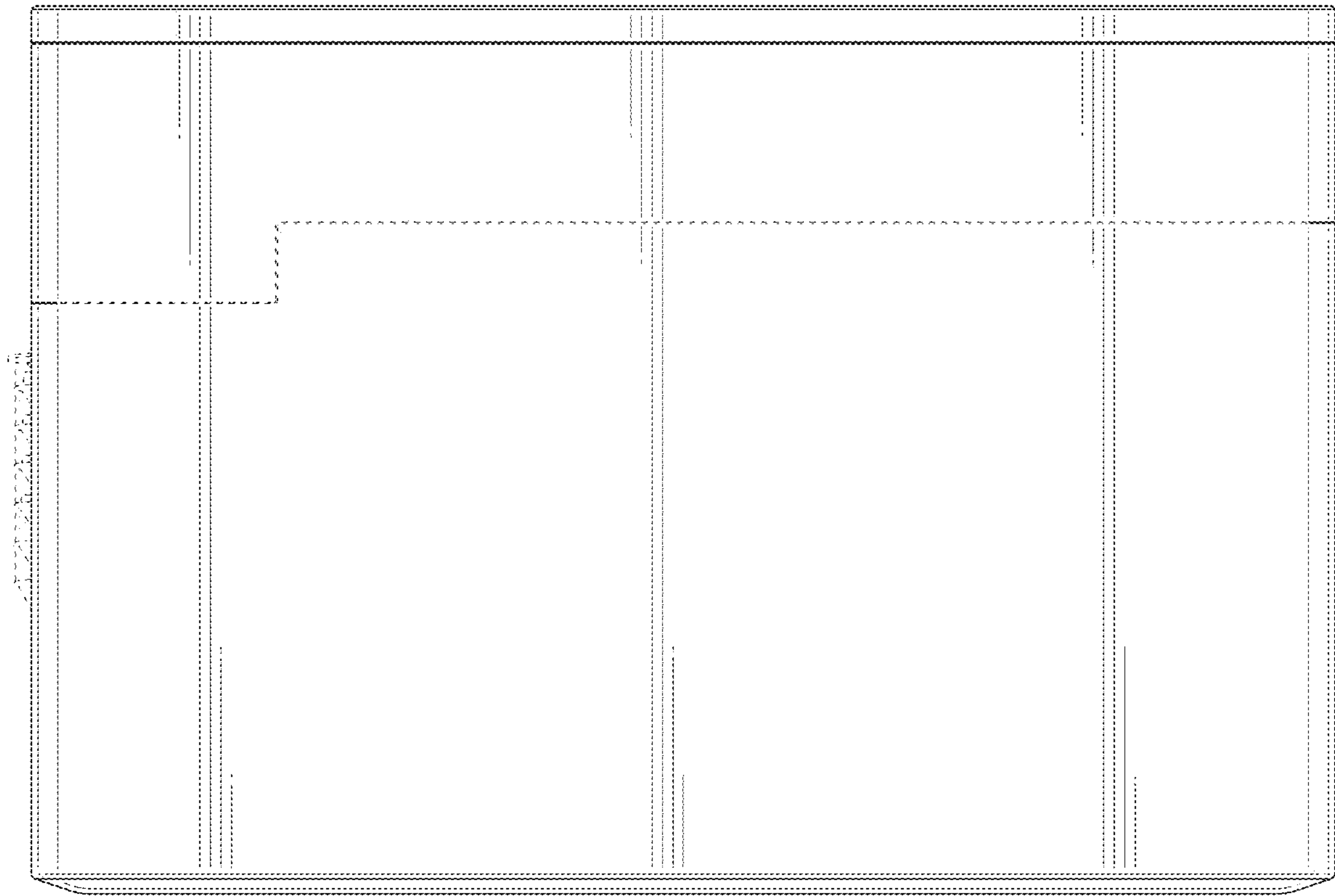


FIG. 3

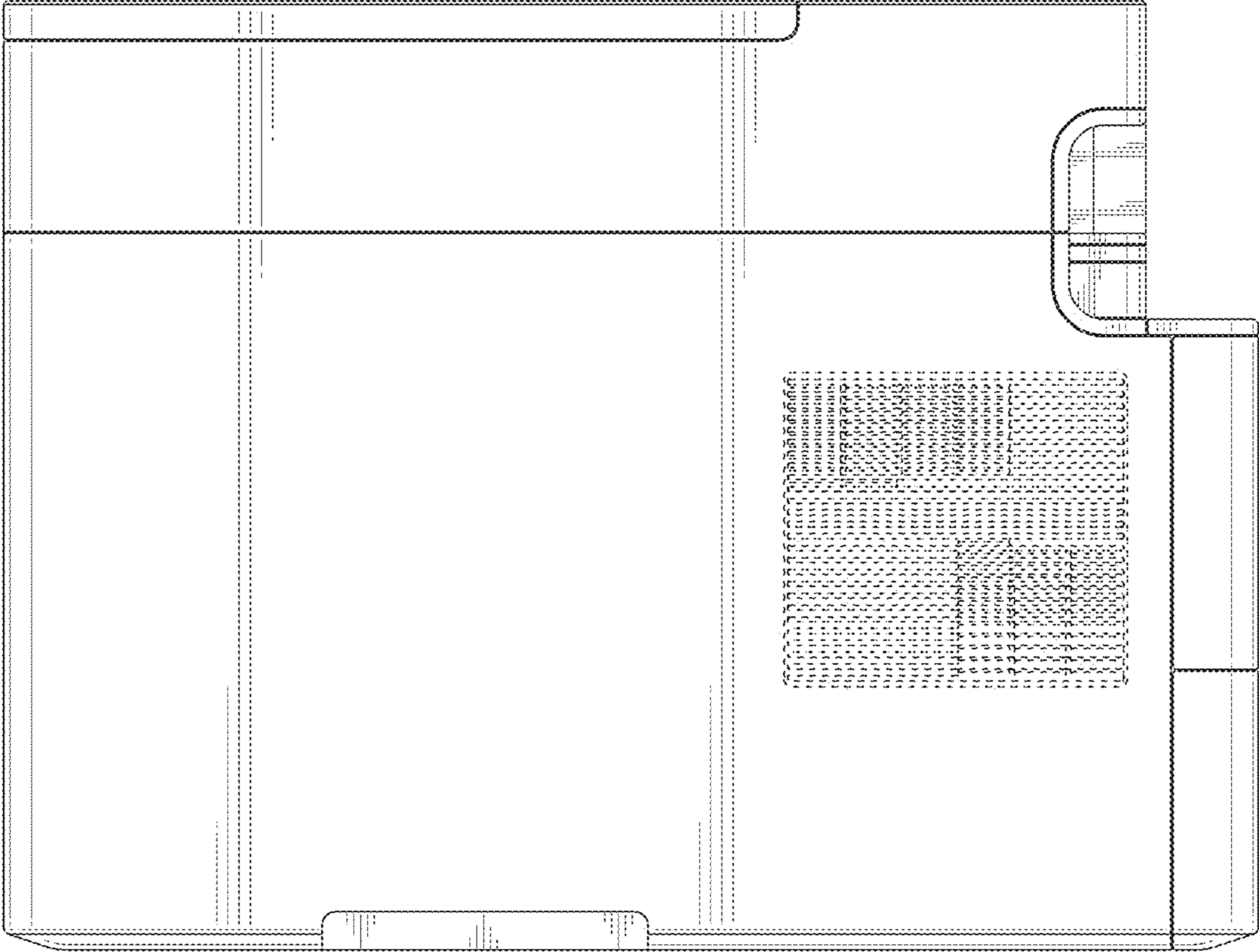


FIG. 4

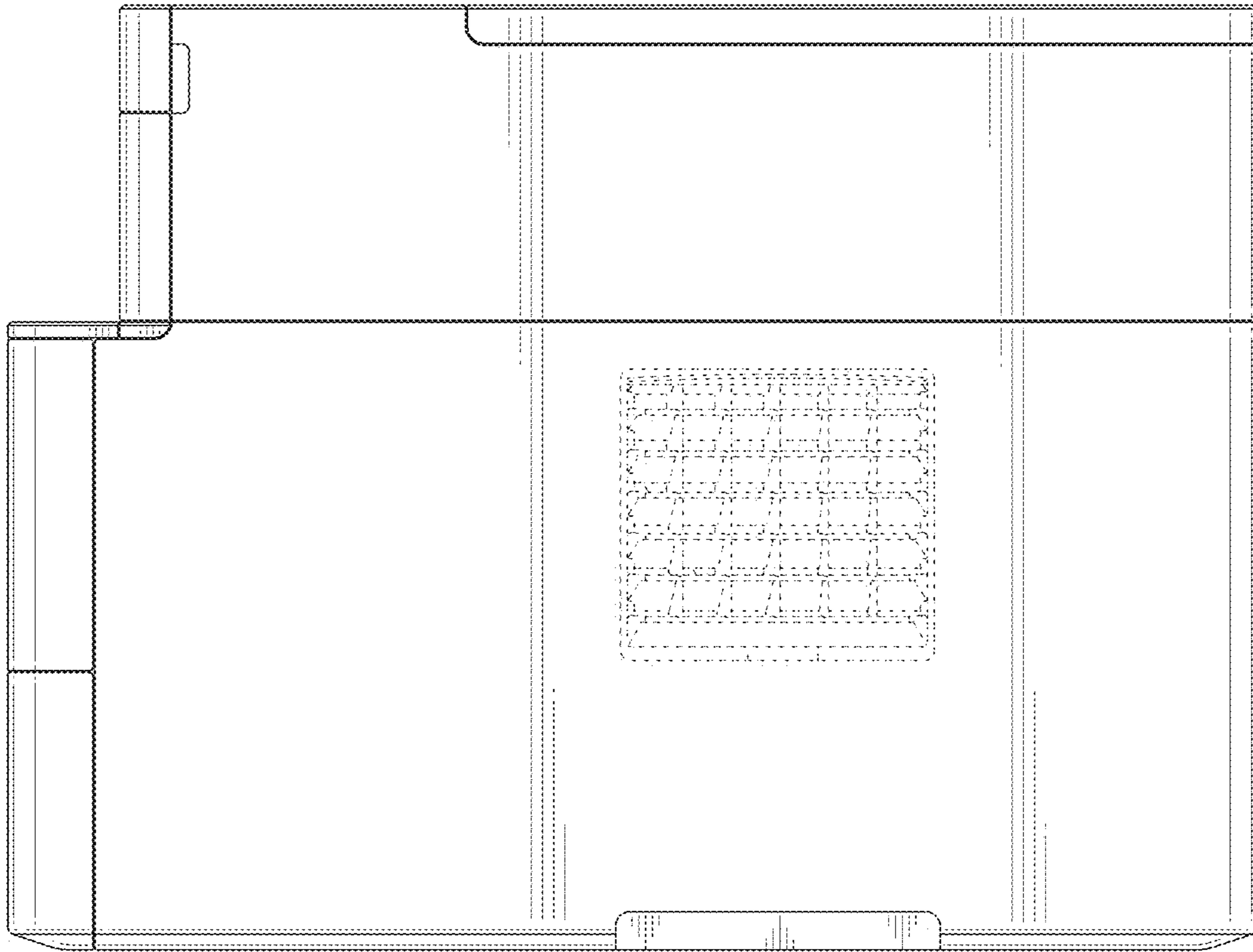


FIG. 5

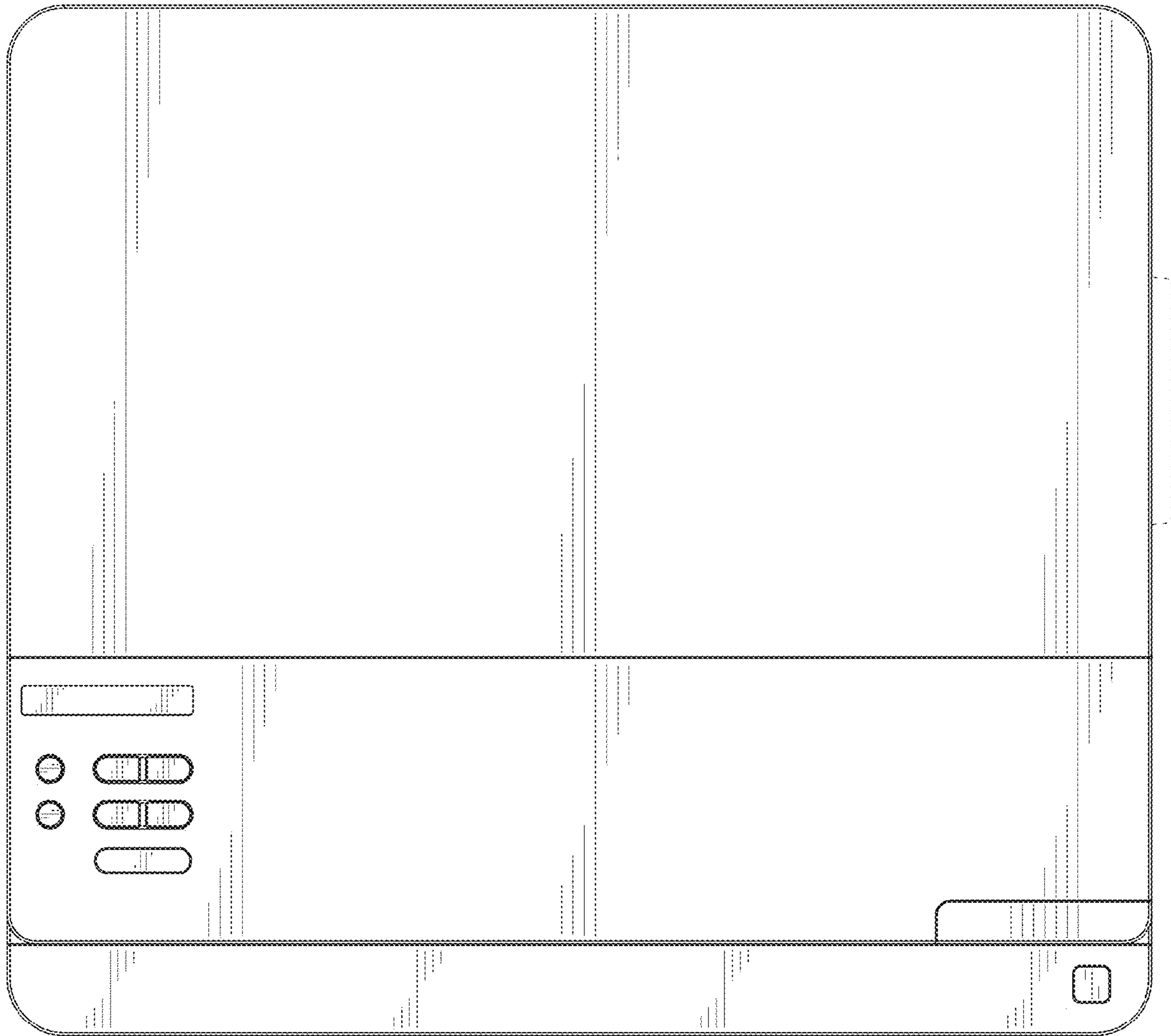


FIG. 6

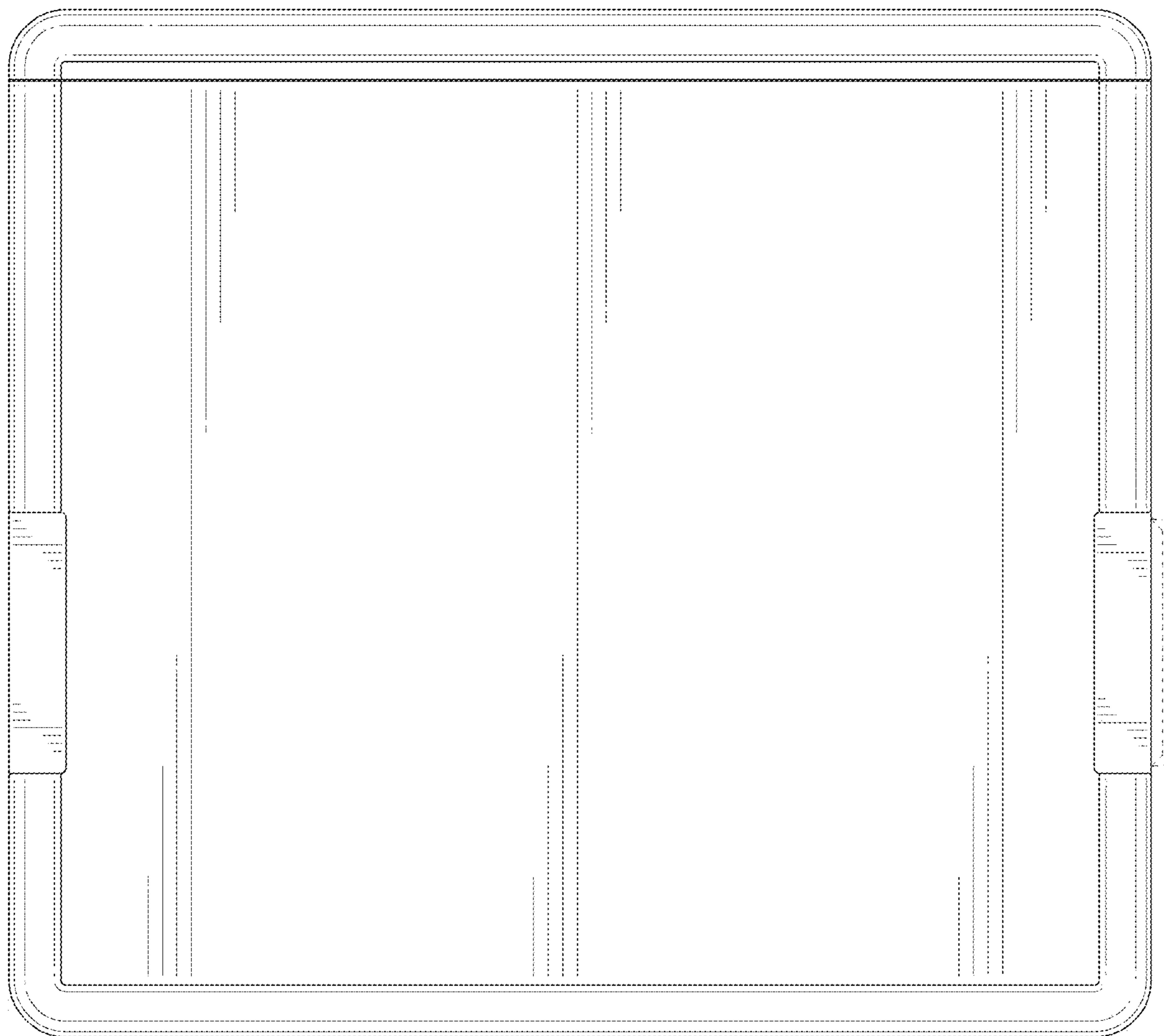


FIG. 7