



US00D966404S

(12) **United States Design Patent Grant** (10) **Patent No.: US D966,404 S**
(45) **Date of Patent: ** Oct. 11, 2022**

(54) **COVER FOR STRINGED INSTRUMENT NECK AND STRINGS**

(71) Applicant: **Adam Grant**, West Hollywood, CA (US)

(72) Inventor: **Adam Grant**, West Hollywood, CA (US)

(**) Term: **15 Years**

(21) Appl. No.: **29/770,263**

(22) Filed: **Feb. 10, 2021**

(51) **LOC (13) Cl.** **17-03**

(52) **U.S. Cl.**
USPC **D17/20**

(58) **Field of Classification Search**
USPC D17/13, 20, 99; D3/204
CPC G10D 3/18; G10G 7/00
See application file for complete search history.

(56) **References Cited**

U.S. PATENT DOCUMENTS

4,601,391 A *	7/1986	Gibbs	G10G 7/00
				206/14
D320,405 S *	10/1991	Wyant	D17/20
D322,717 S *	12/1991	Wyant	D3/204
D463,103 S	9/2002	Lin		
7,291,778 B2 *	11/2007	Larry	G10G 7/00
				84/453
D634,539 S	3/2011	Burmeister		
D635,182 S *	3/2011	Toone	D17/20
D858,919 S *	9/2019	Payne	D32/40
2005/0145095 A1 *	7/2005	Larry	G10G 7/00
				84/453
2011/0197739 A1	8/2011	Pearce		
2021/0201858 A1 *	7/2021	Grant	G10D 3/18

FOREIGN PATENT DOCUMENTS

WO	WO-2008022012 A2 *	2/2008	G10G 7/00
WO	DM/216 058	*	6/2021	

OTHER PUBLICATIONS

Kickstarter. <https://www.kickstarter.com/projects/13418477/g-suit-a-one-of-a-kind-guitar-cover>. "G-Suit". Aug. 23, 2018 (Year: 2018).*

* cited by examiner

Primary Examiner — R. Johnson

(74) *Attorney, Agent, or Firm* — Barry Choobin; Patent 360

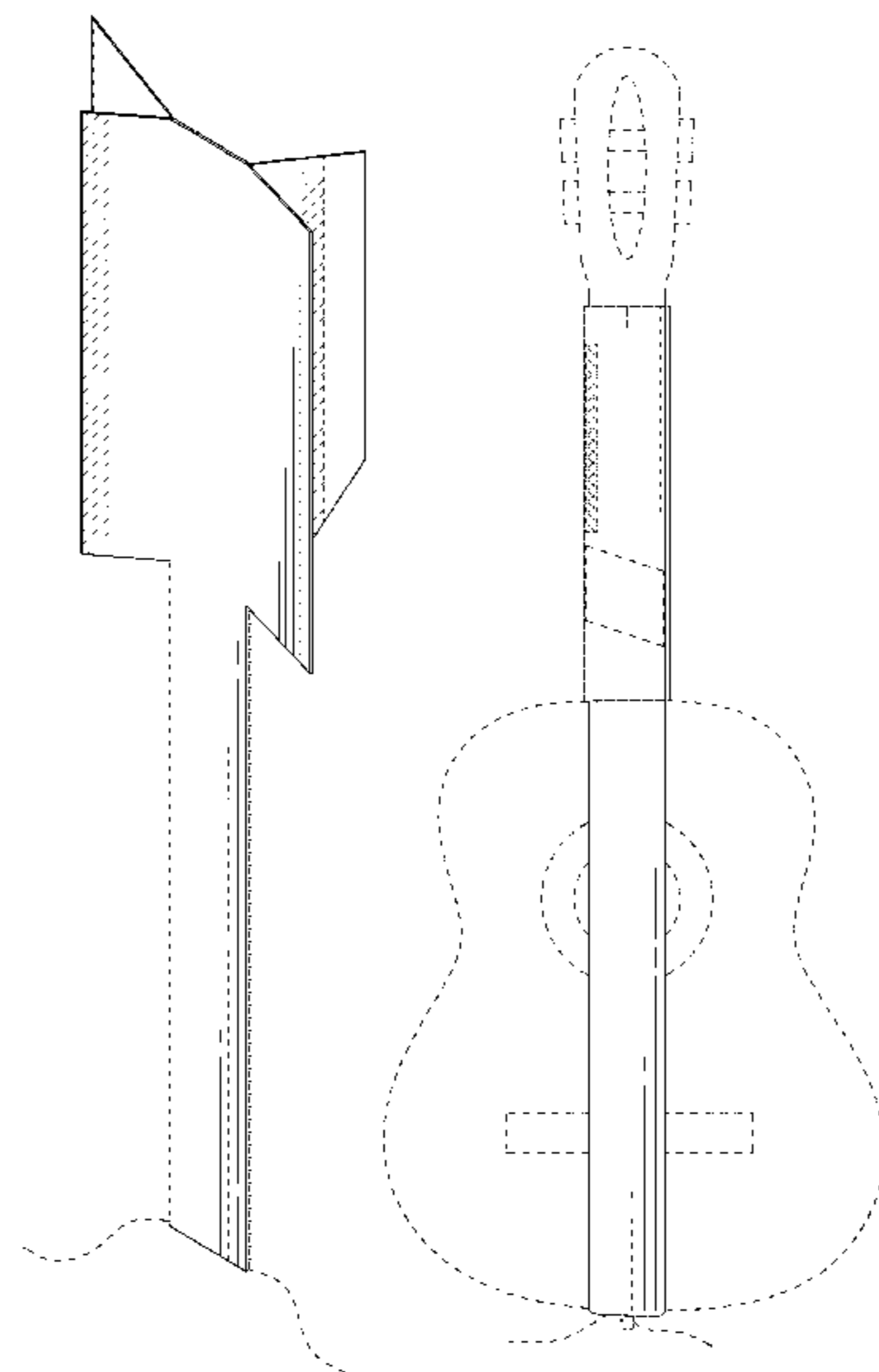
(57) **CLAIM**

The ornamental design for a cover for stringed instrument neck and strings, as shown and described.

DESCRIPTION

FIG. 1 is a perspective view of a cover for stringed instrument neck and strings, showing my new design;
 FIG. 2 is a front view thereof;
 FIG. 3 is a rear view thereof;
 FIG. 4 is a right side view thereof;
 FIG. 5 is a left side view thereof;
 FIG. 6 is a top view thereof;
 FIG. 7 is a bottom view thereof;
 FIG. 8 shows the cover for stringed instrument neck and strings wrapped to a neck of a stringed instrument in broken lines;
 FIG. 9 is a rear view thereof;
 FIG. 10 is a perspective view thereof; and,
 FIG. 11 is another perspective view thereof, in which the lower strap of the cover for stringed instrument neck and strings is folded beneath the upper part.
 An area depicted in stippling in FIG. 3 represents a micro-fiber cloth.
 The broken lines depict portions of the article that form no part of the claimed design. Broken lines in FIGS. 8-11 show a guitar for environment purpose only and form no part of claim design.

1 Claim, 9 Drawing Sheets



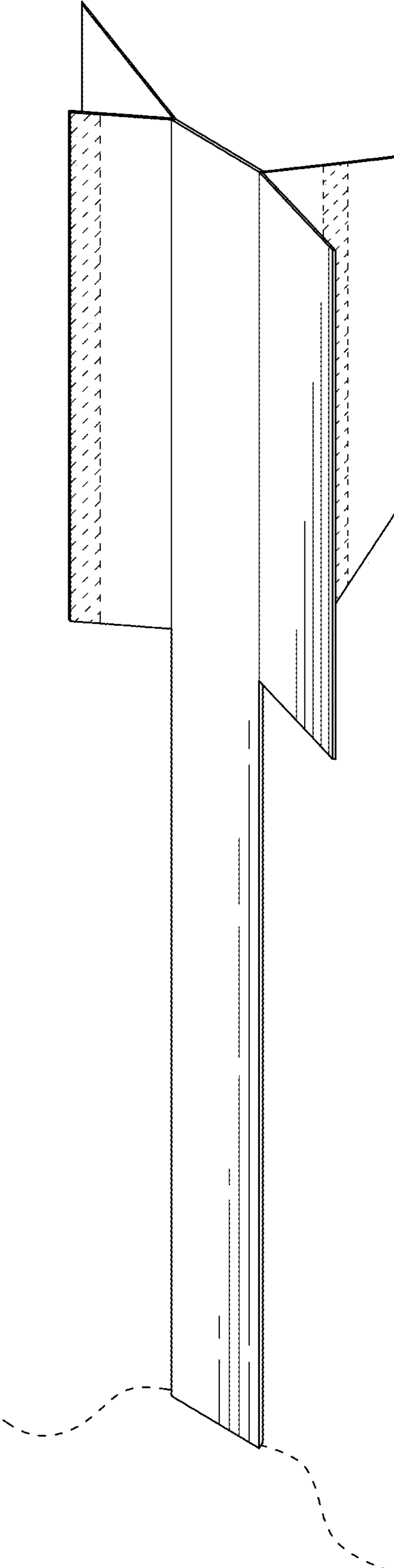


FIG. 1

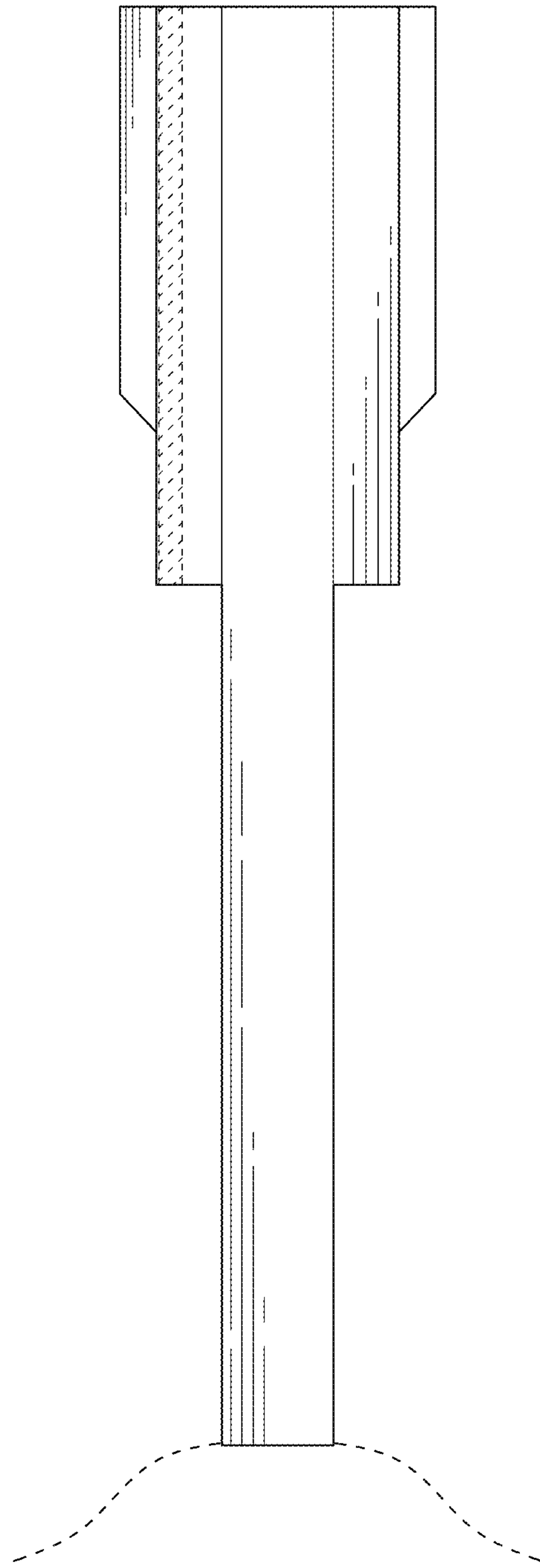


FIG. 2

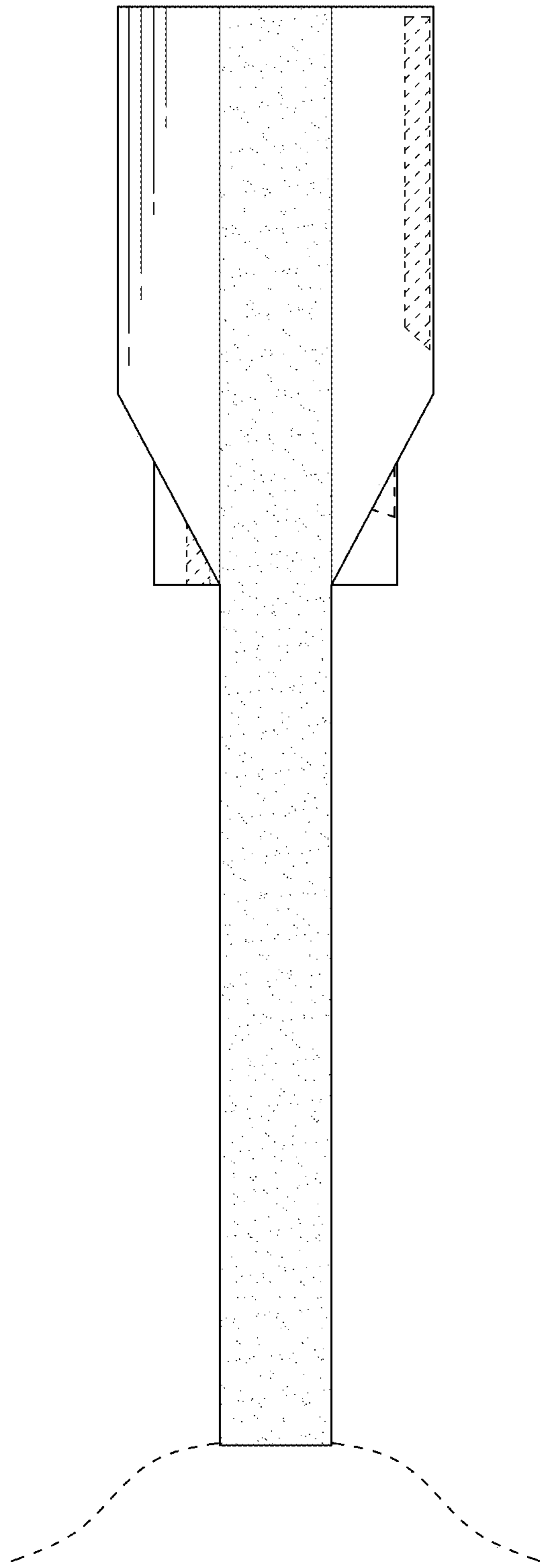


FIG. 3

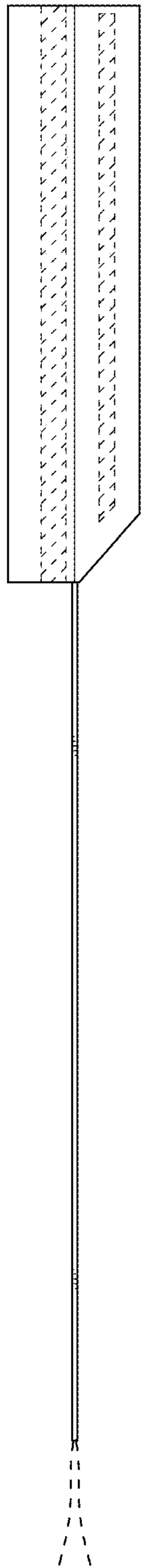


FIG. 4

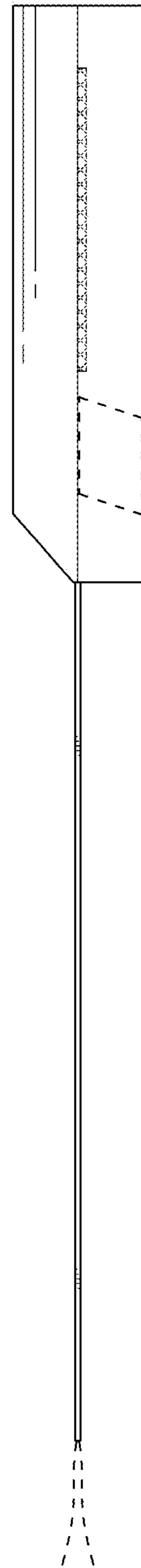


FIG. 5

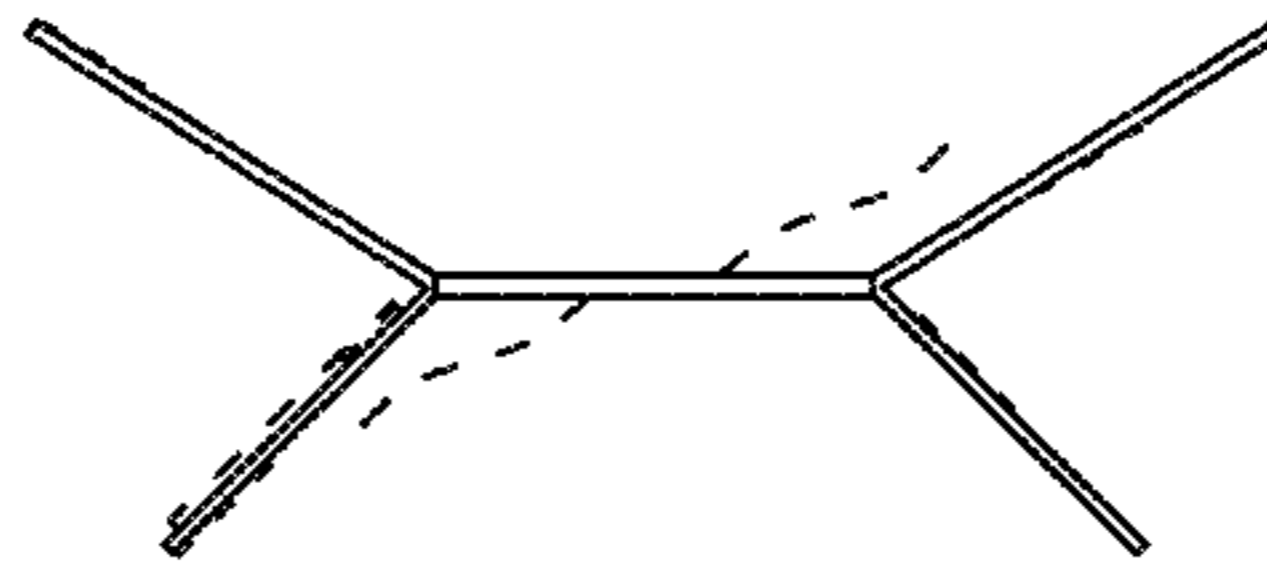


FIG. 6

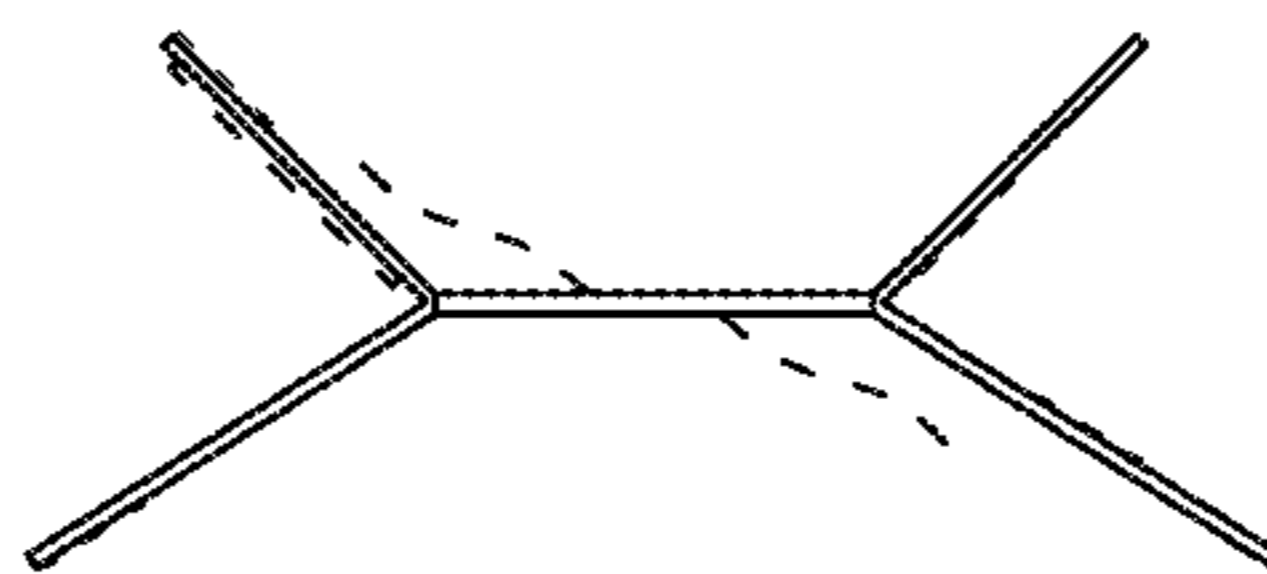


FIG. 7

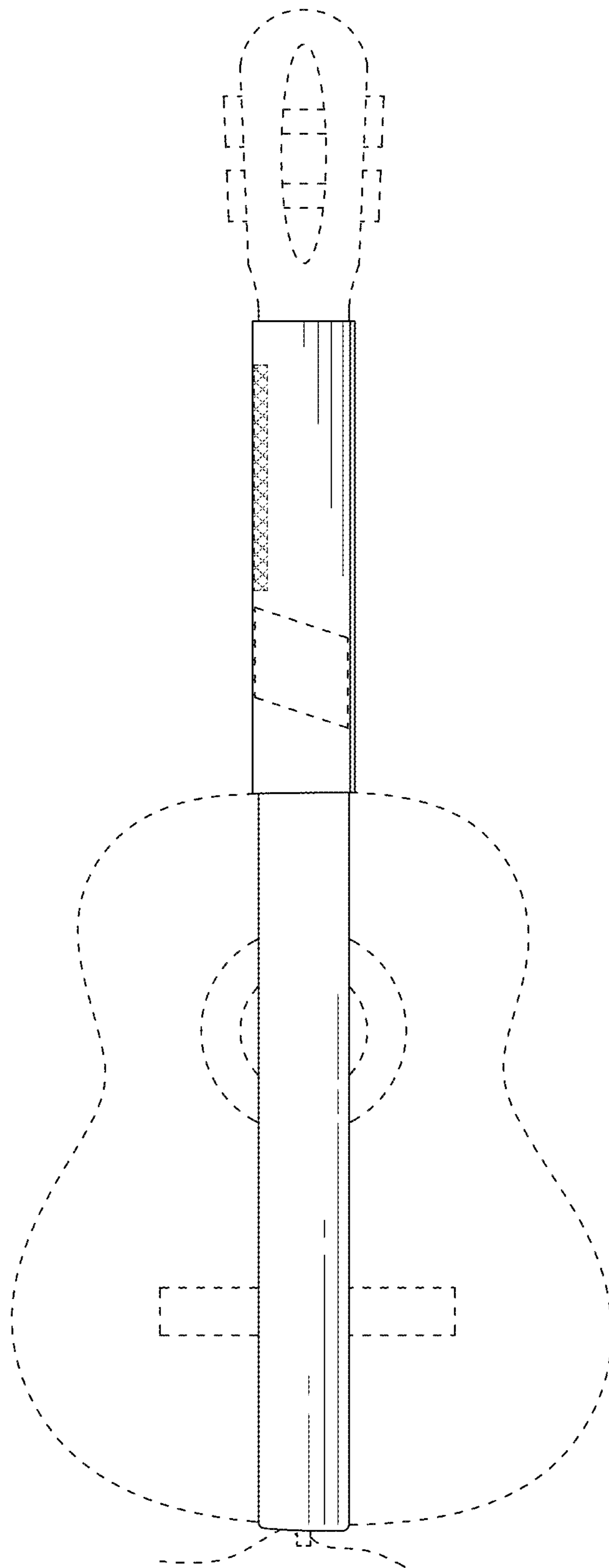


FIG. 8

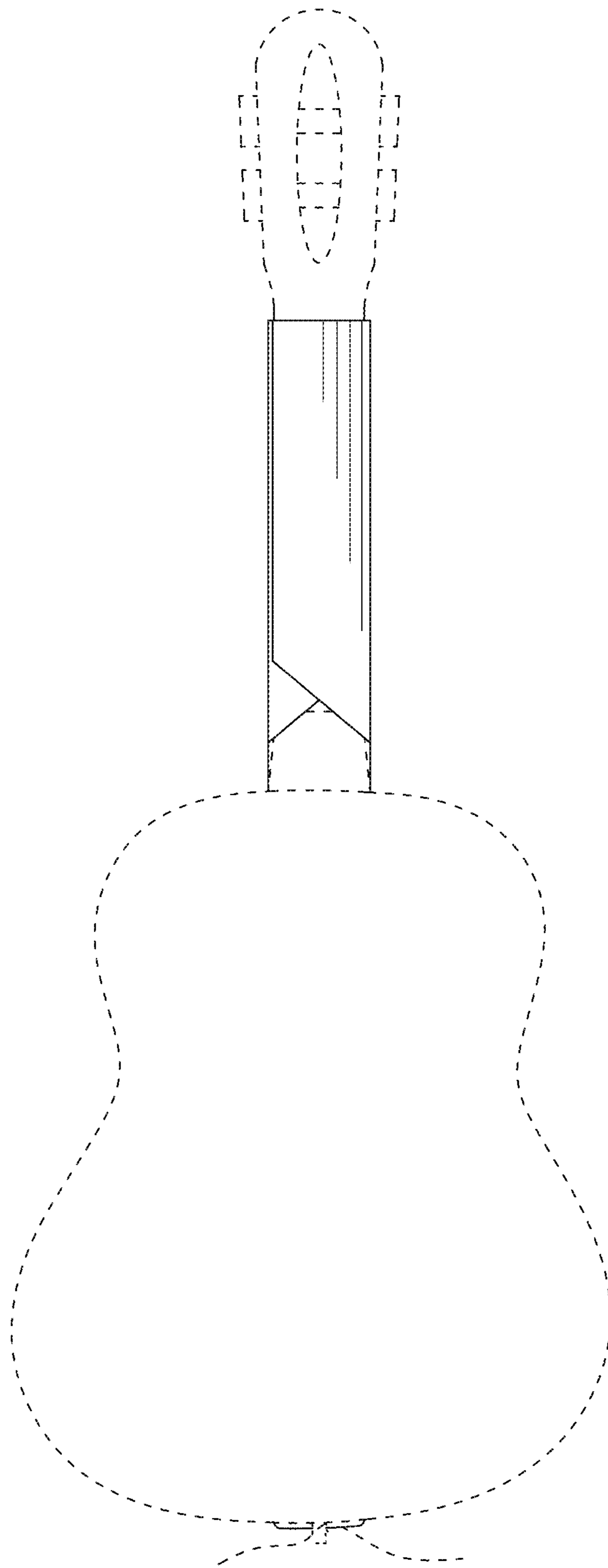


FIG. 9

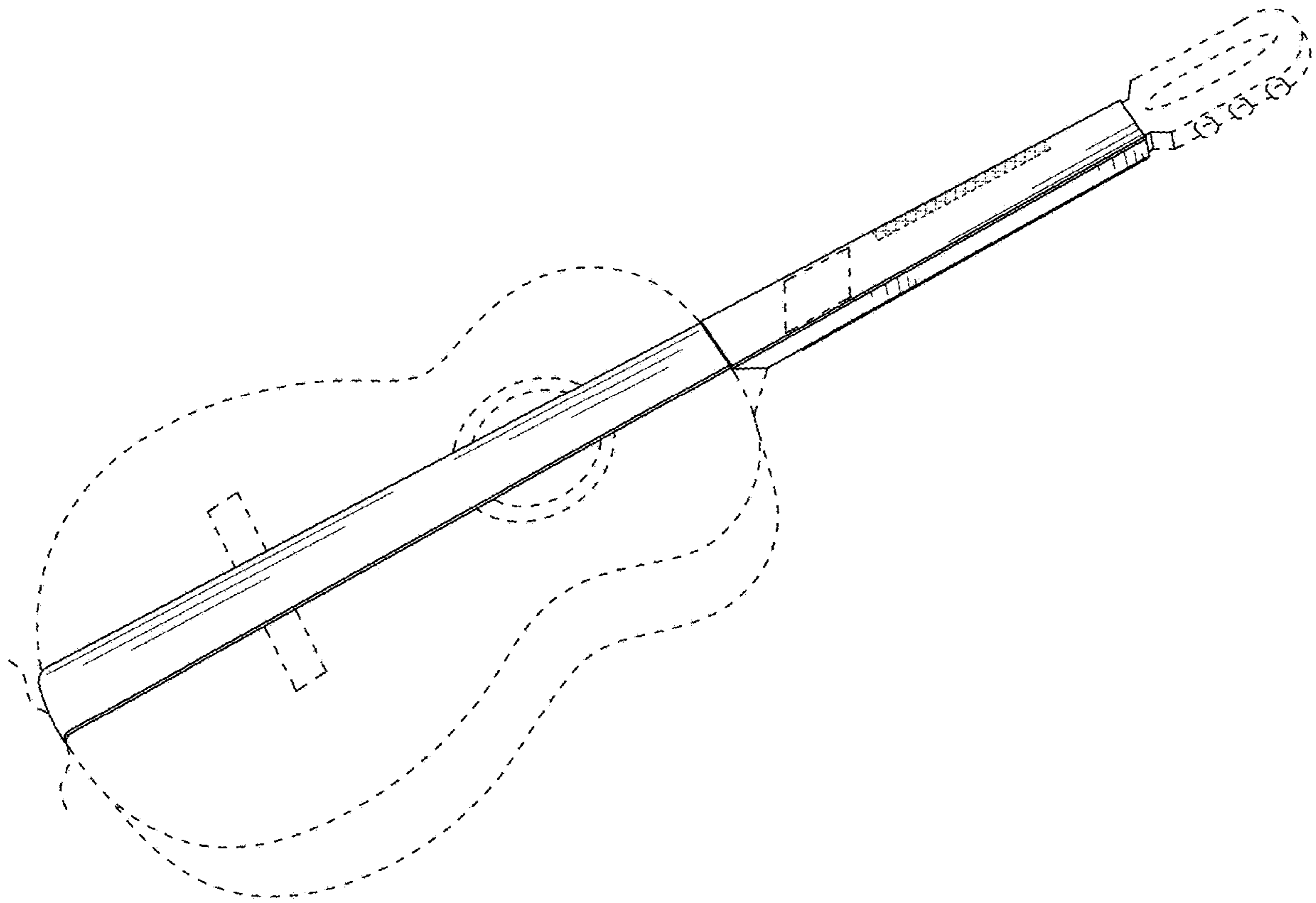


FIG. 10

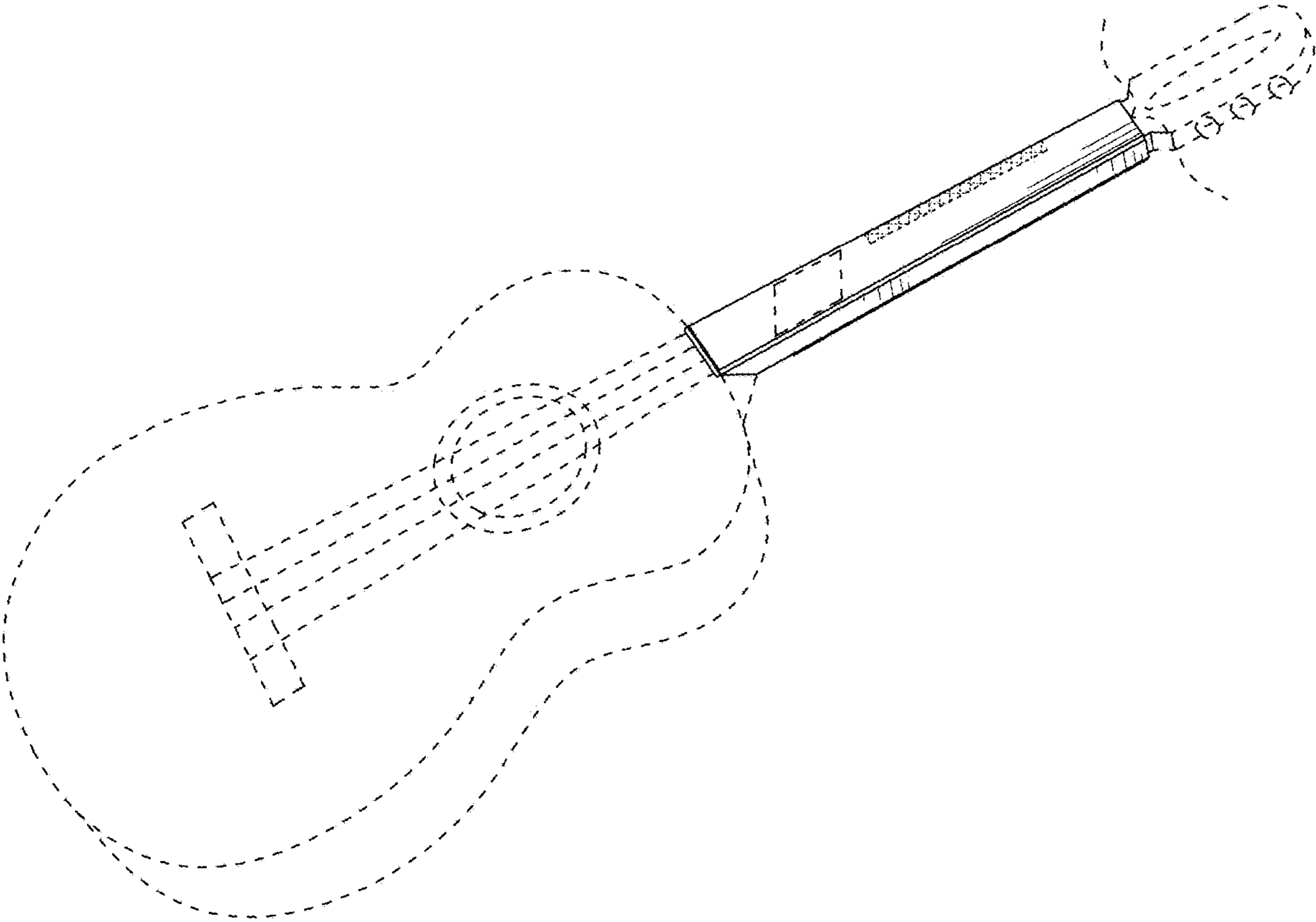


FIG. 11