



US00D966400S

(12) **United States Design Patent**
Wu

(10) **Patent No.:** **US D966,400 S**
(45) **Date of Patent:** **** Oct. 11, 2022**

(54) **PROJECTOR**

(71) Applicant: **SHENZHEN DINGSHI ELECTRONIC COMMERCE CO., LTD.**, Shenzhen (CN)

(72) Inventor: **Gonghui Wu**, Shenzhen (CN)

(73) Assignee: **SHENZHEN DINGSHI ELECTRONIC COMMERCE CO., LTD.**, Shenzhen (CN)

(**) Term: **15 Years**

(21) Appl. No.: **29/822,119**

(22) Filed: **Jan. 6, 2022**

(51) **LOC (13) Cl.** **16-02**

(52) **U.S. Cl.**
USPC **D16/230**

(58) **Field of Classification Search**
USPC D16/221, 225, 230–231, 234; D21/514
CPC G03B 21/16; G03B 21/145; G03B 21/14;
G03B 21/00; G03B 21/001; G03B
21/003; G03B 21/12
See application file for complete search history.

(56) **References Cited**

U.S. PATENT DOCUMENTS

D520,551 S 5/2006 Salvatori et al.
D545,862 S * 7/2007 Kawasaki D16/221

D557,317 S 12/2007 Schoenert et al.
D926,246 S * 7/2021 Wu D16/230
D936,727 S * 11/2021 Gao D16/230
D939,614 S * 12/2021 Mao D16/230
D939,615 S * 12/2021 Wu D16/230
D956,125 S * 6/2022 Wu D16/230

* cited by examiner

Primary Examiner — Wan Laymon

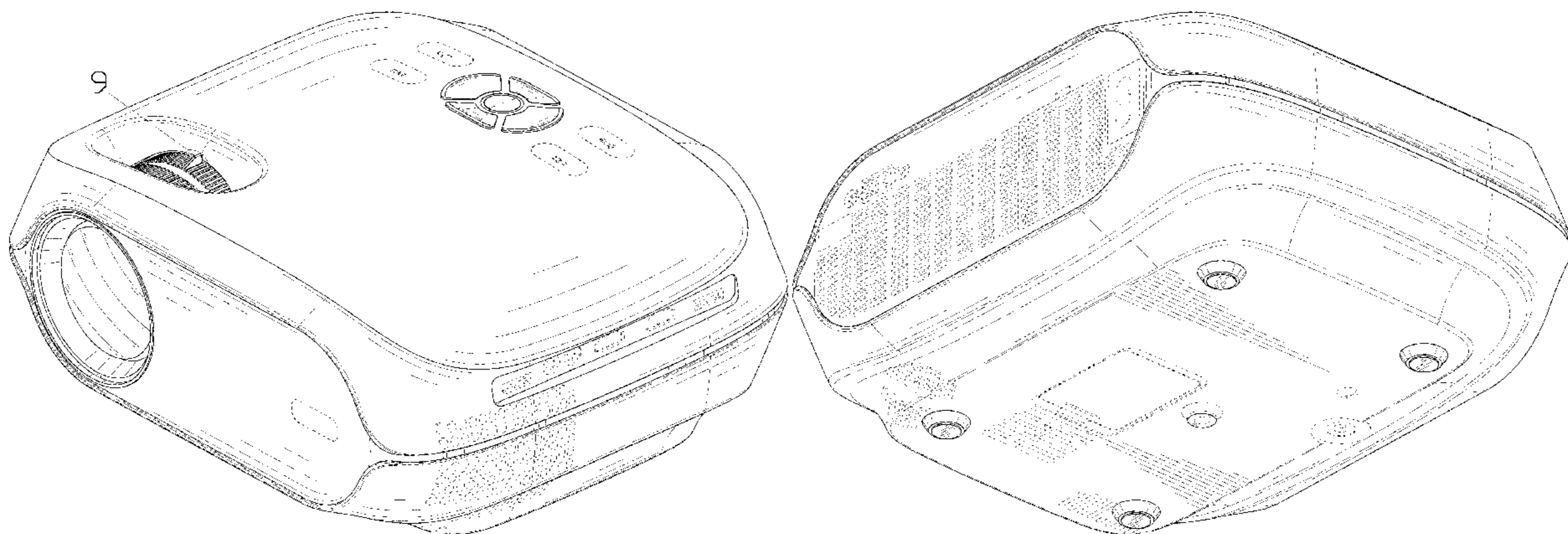
(57) **CLAIM**

The ornamental design for a projector, as shown and described.

DESCRIPTION

FIG. 1 is a perspective view of a projector showing my new design;
FIG. 2 is another perspective view thereof;
FIG. 3 is a front elevational view thereof;
FIG. 4 is a rear elevational view thereof;
FIG. 5 is a left side elevational view thereof;
FIG. 6 is a right side elevational view thereof;
FIG. 7 is a top plan view thereof;
FIG. 8 is a bottom plan view thereof; and,
FIG. 9 is an enlarged view of portion 9 shown in FIG. 1.
The dash-dash broken lines in the drawings depict portions of the projector that form no part of the claimed design. The dot-dash broken lines represent the boundary of the enlarged portion and form no part of the claimed design.

1 Claim, 9 Drawing Sheets



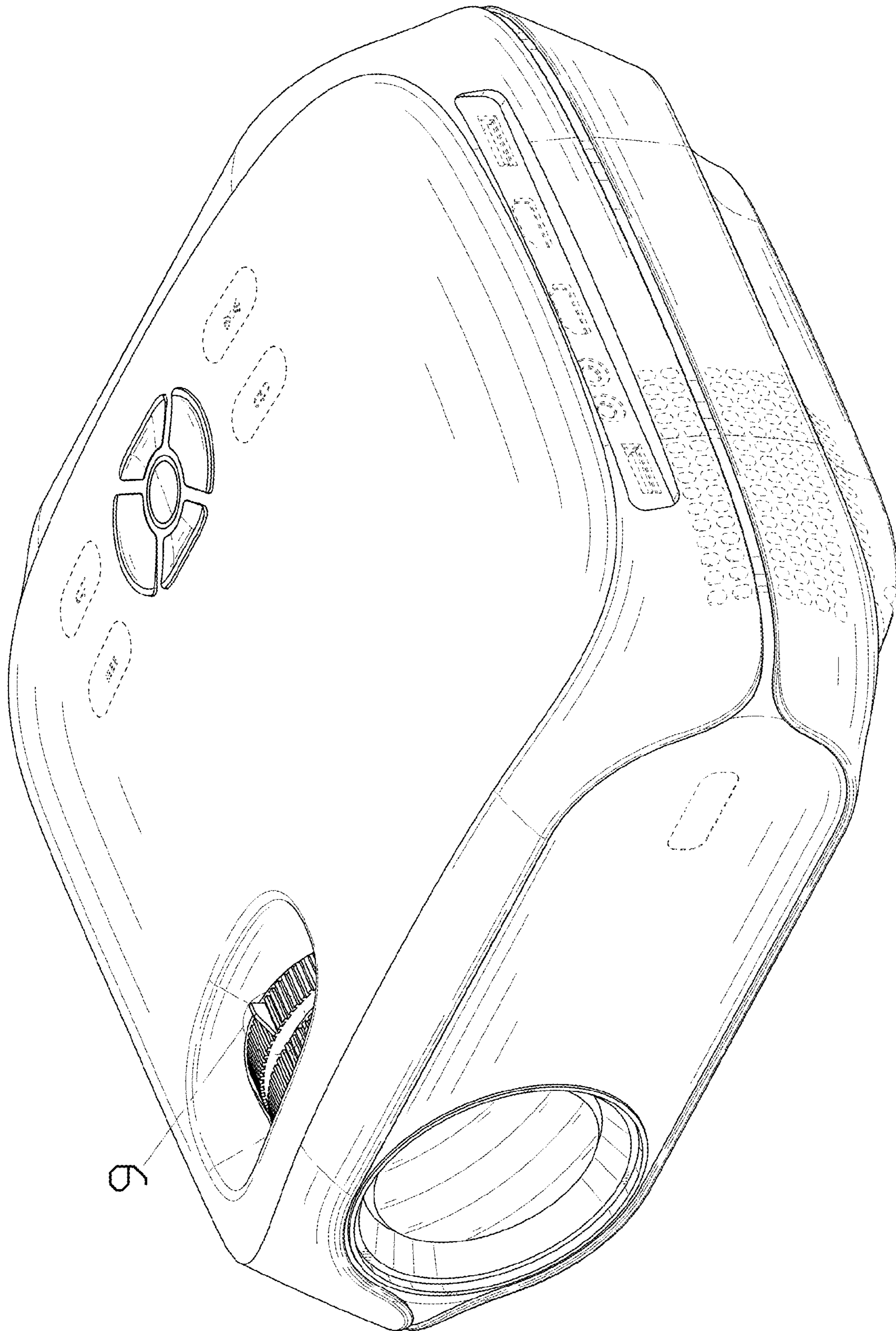


FIG. 1

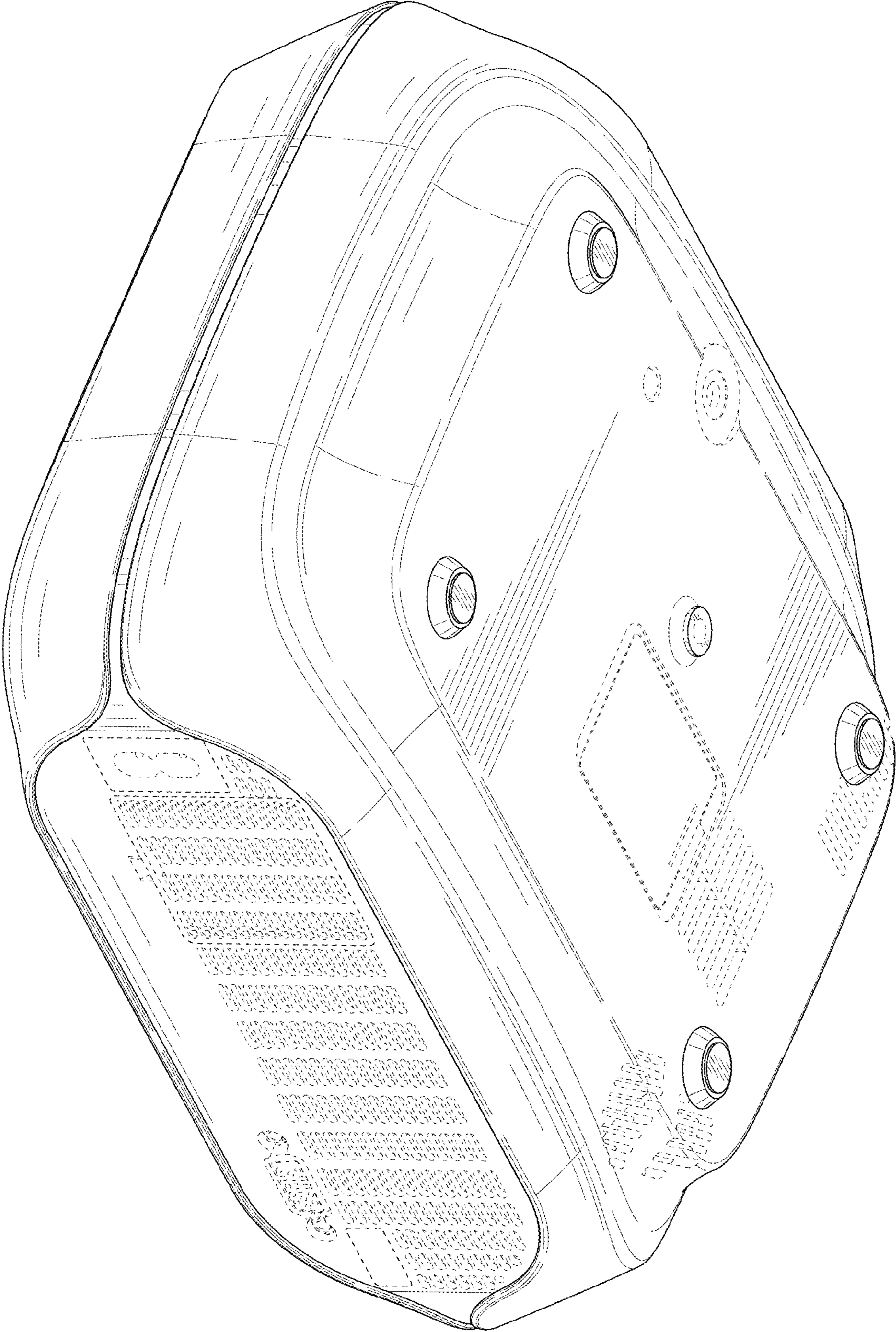


FIG. 2

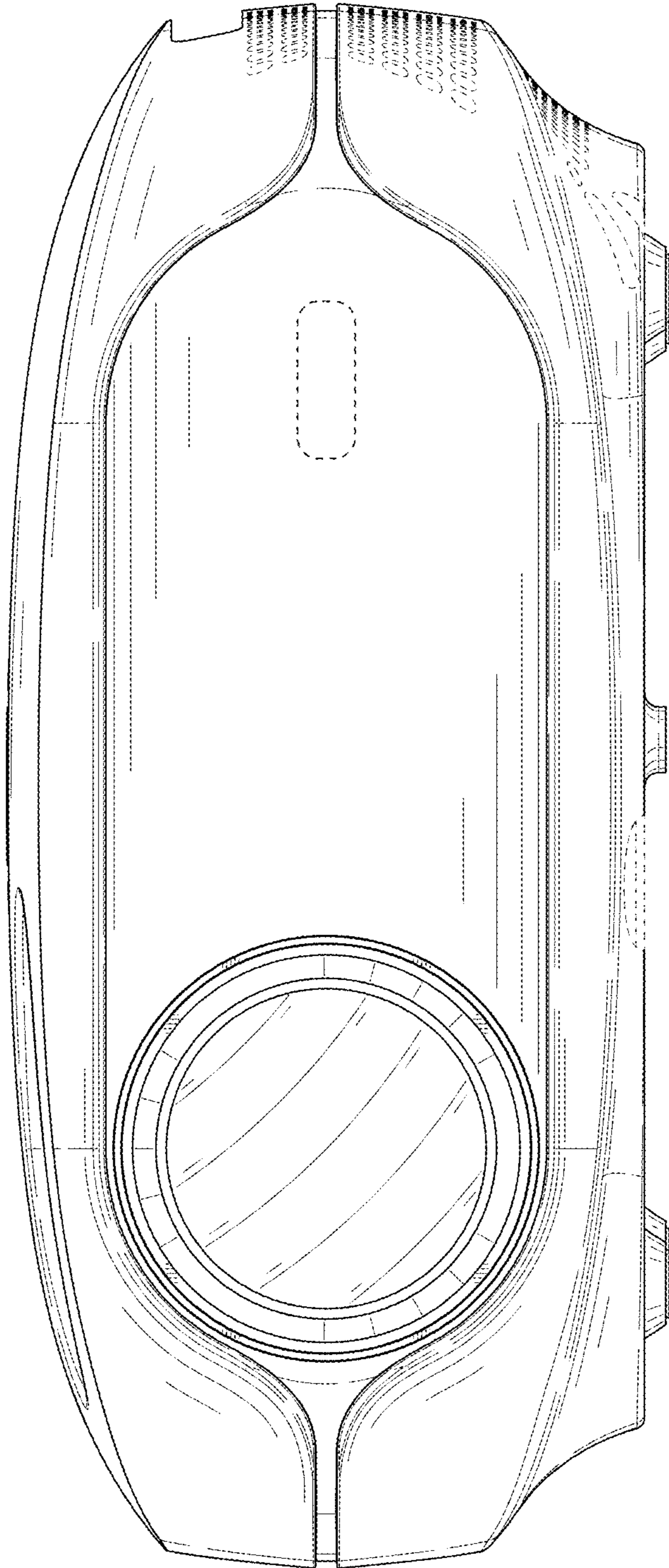


FIG. 3

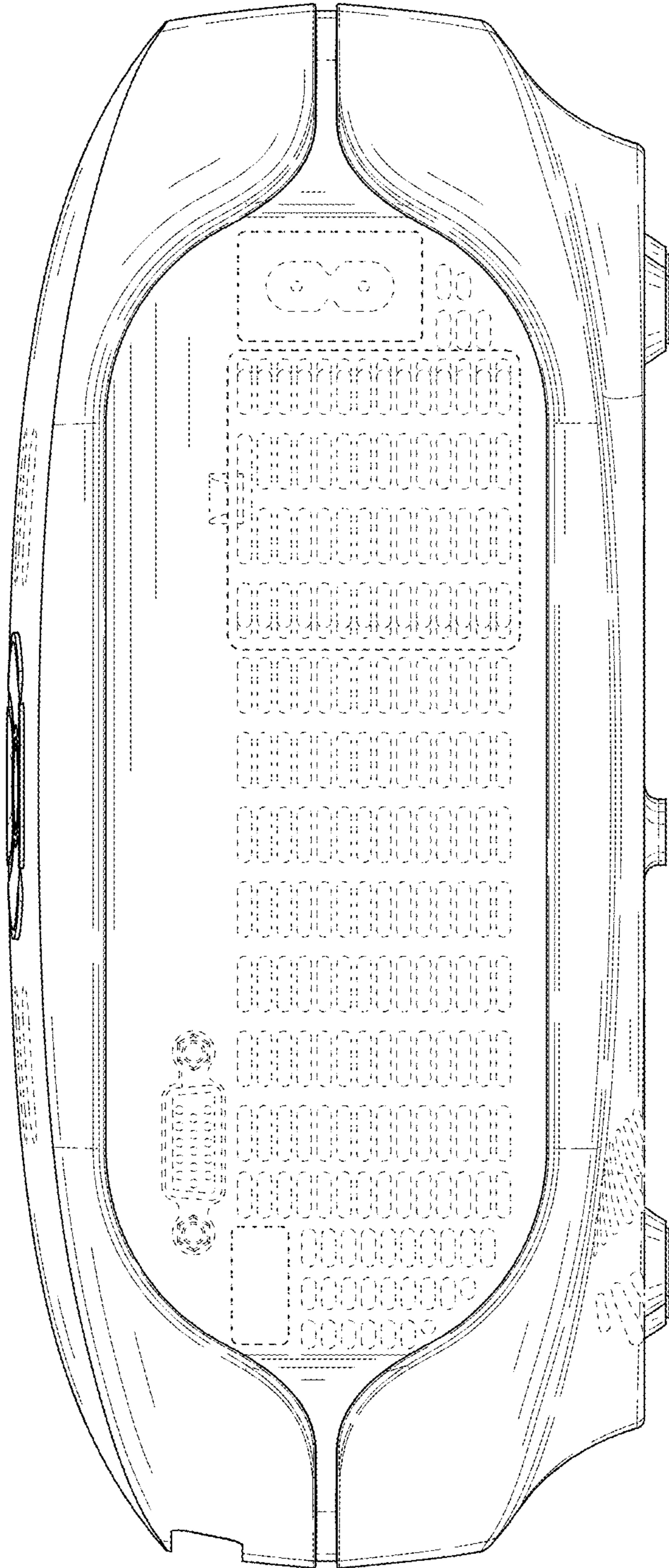


FIG. 4

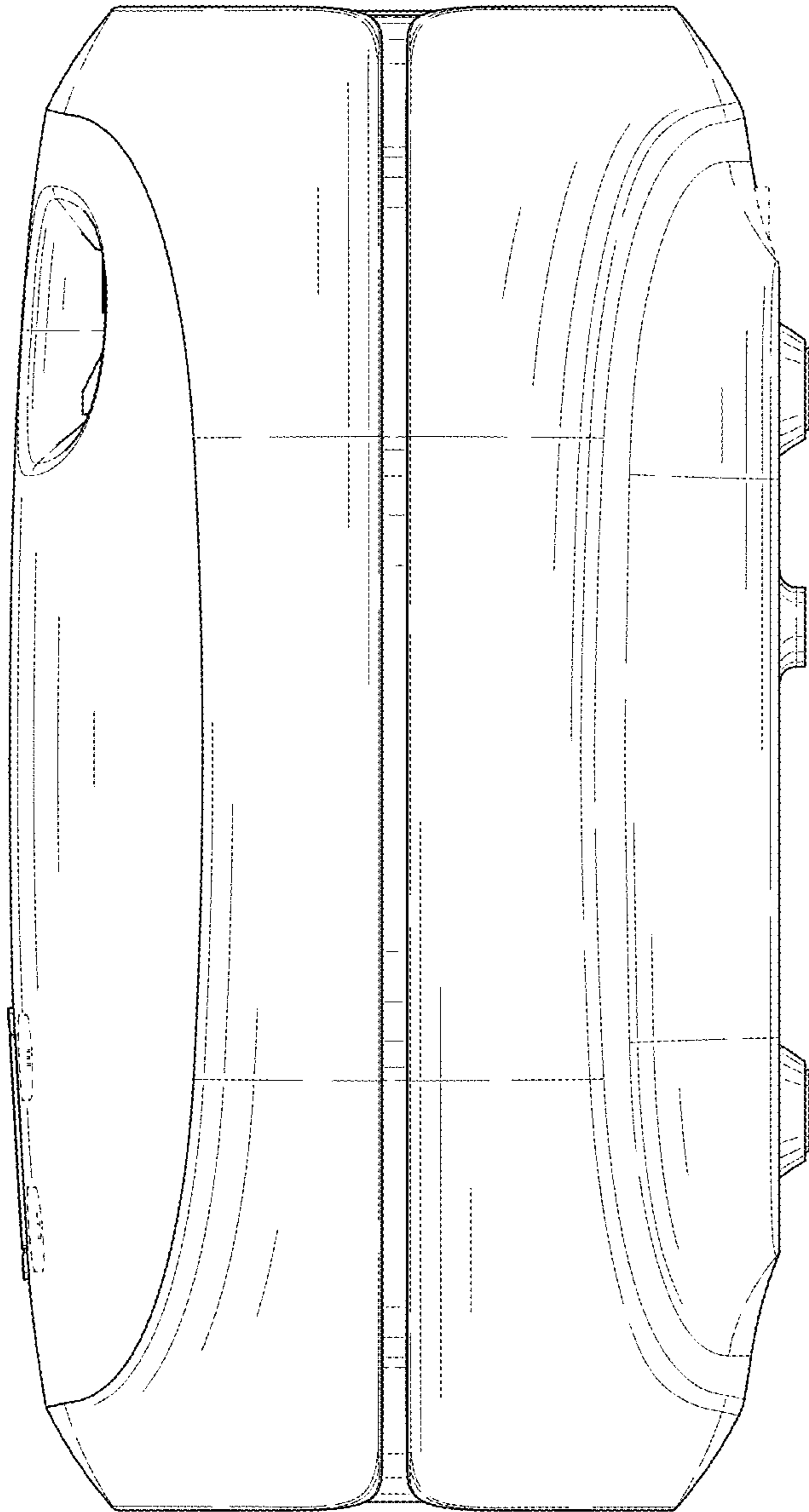


FIG. 5

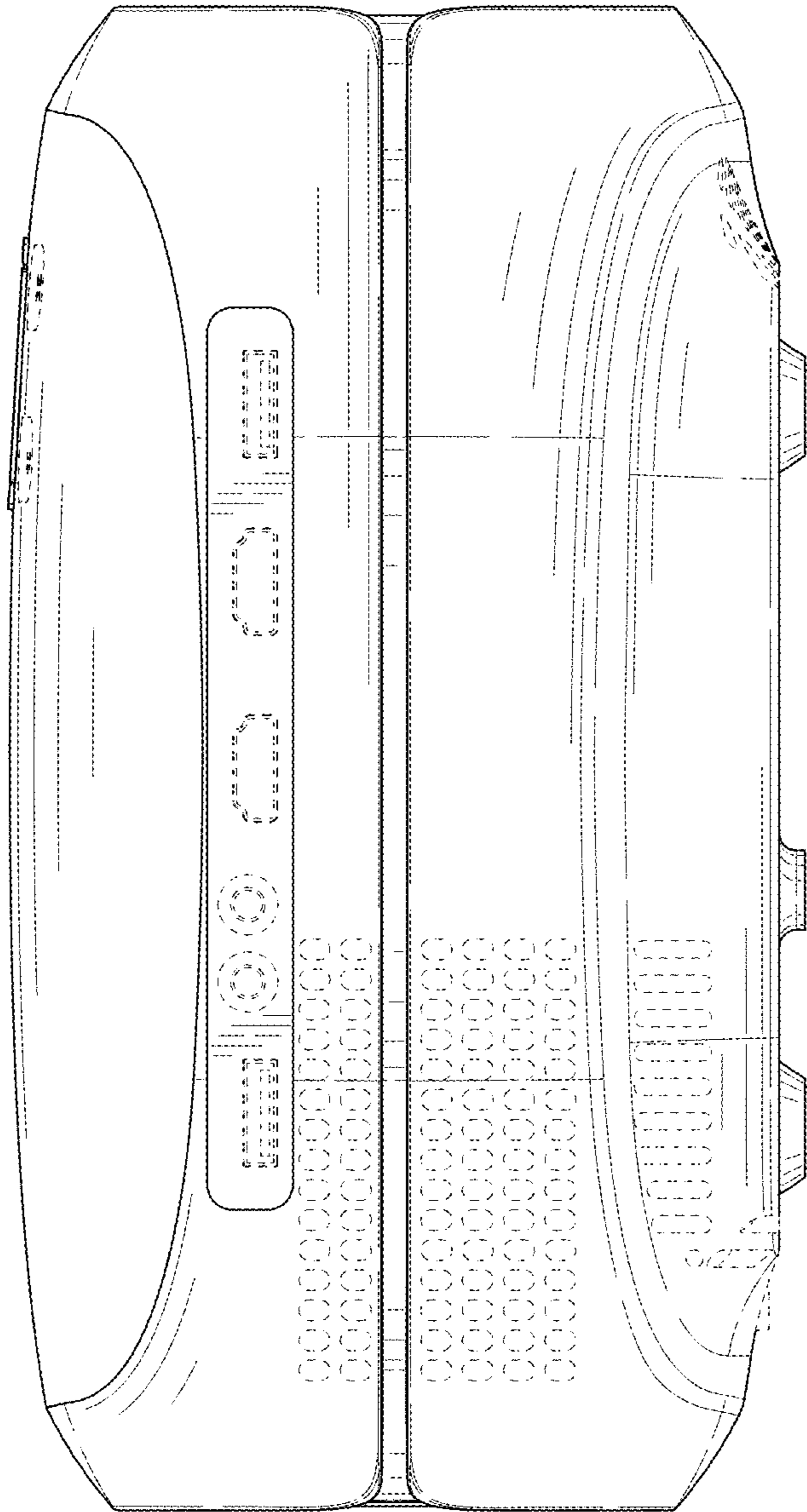


FIG. 6

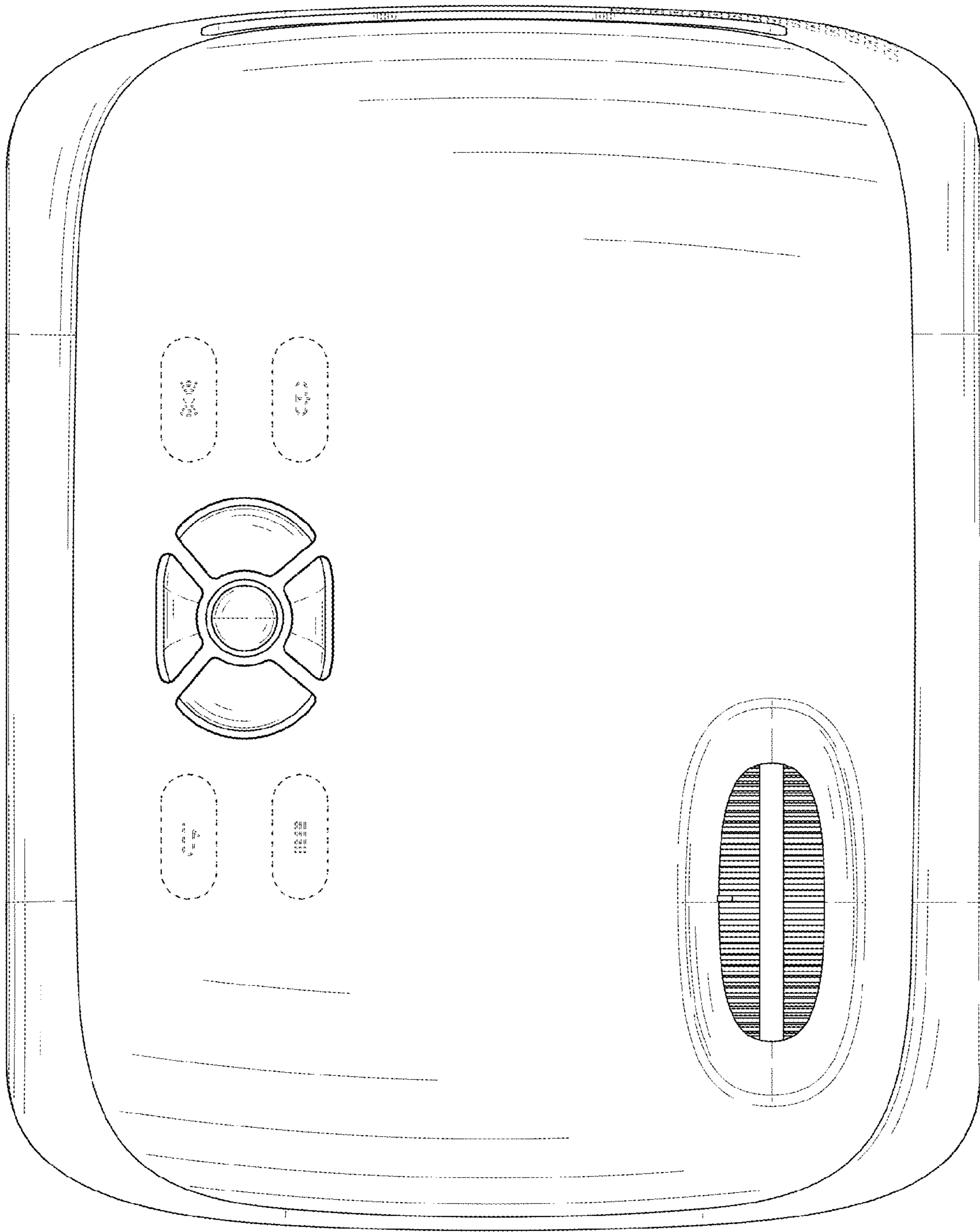


FIG. 7

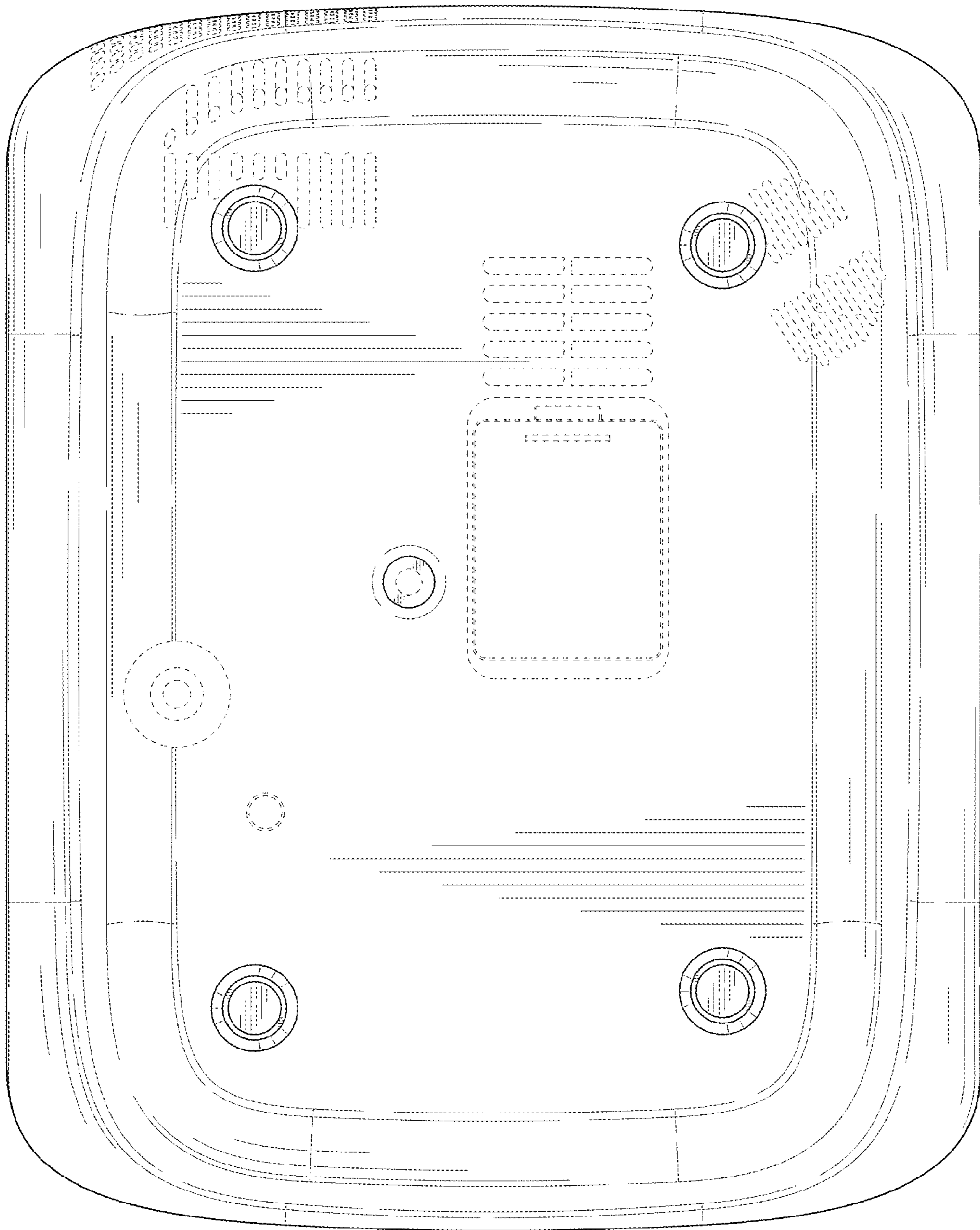


FIG. 8

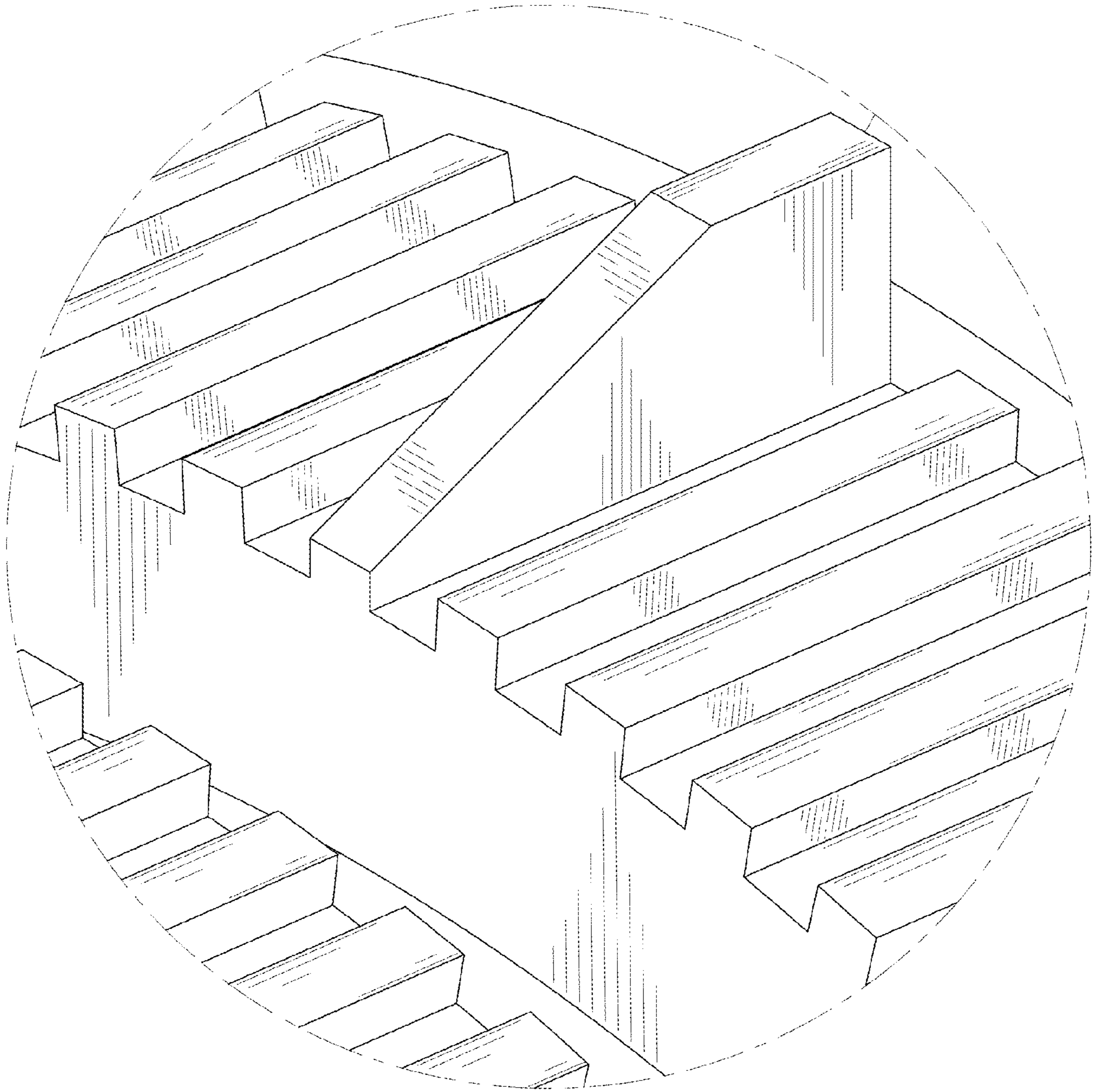


FIG. 9