



US00D966399S

(12) **United States Design Patent** (10) **Patent No.:** **US D966,399 S**
Li (45) **Date of Patent:** **** Oct. 11, 2022**

(54) **PROJECTOR**

D606,109 S * 12/2009 Tatara D16/230
D882,670 S * 4/2020 He D16/230
D886,889 S * 6/2020 Mao D16/230

(71) Applicant: **HONGKONG 1 DREAMLAND
E-COMMERCE LIMITED**, Kowloon
(CN)

* cited by examiner

(72) Inventor: **Ling Li**, Kowloon (CN)

Primary Examiner — Wan Laymon

(**) Term: **15 Years**

(74) *Attorney, Agent, or Firm* — Rumit Ranjit Kanakia

(21) Appl. No.: **29/754,593**

(57) **CLAIM**

(22) Filed: **Oct. 13, 2020**

The ornamental design for a projector, as shown and described.

(51) **LOC (13) Cl.** **16-02**

DESCRIPTION

(52) **U.S. Cl.**
USPC **D16/230**

(58) **Field of Classification Search**

USPC D16/221, 225, 230–231, 234; D21/514
CPC G03B 21/16; G03B 21/14; G03B 21/145;
G03B 21/00; G03B 21/001; G03B
21/003; G03B 21/12

See application file for complete search history.

FIG. 1 is a perspective view of a projector showing my new design;
FIG. 2 is another perspective view thereof;
FIG. 3 is a front view thereof;
FIG. 4 is a back view thereof;
FIG. 5 is a right-side view thereof;
FIG. 6 is a left-side view thereof;
FIG. 7 is a top view thereof; and,
FIG. 8 is a bottom view thereof.

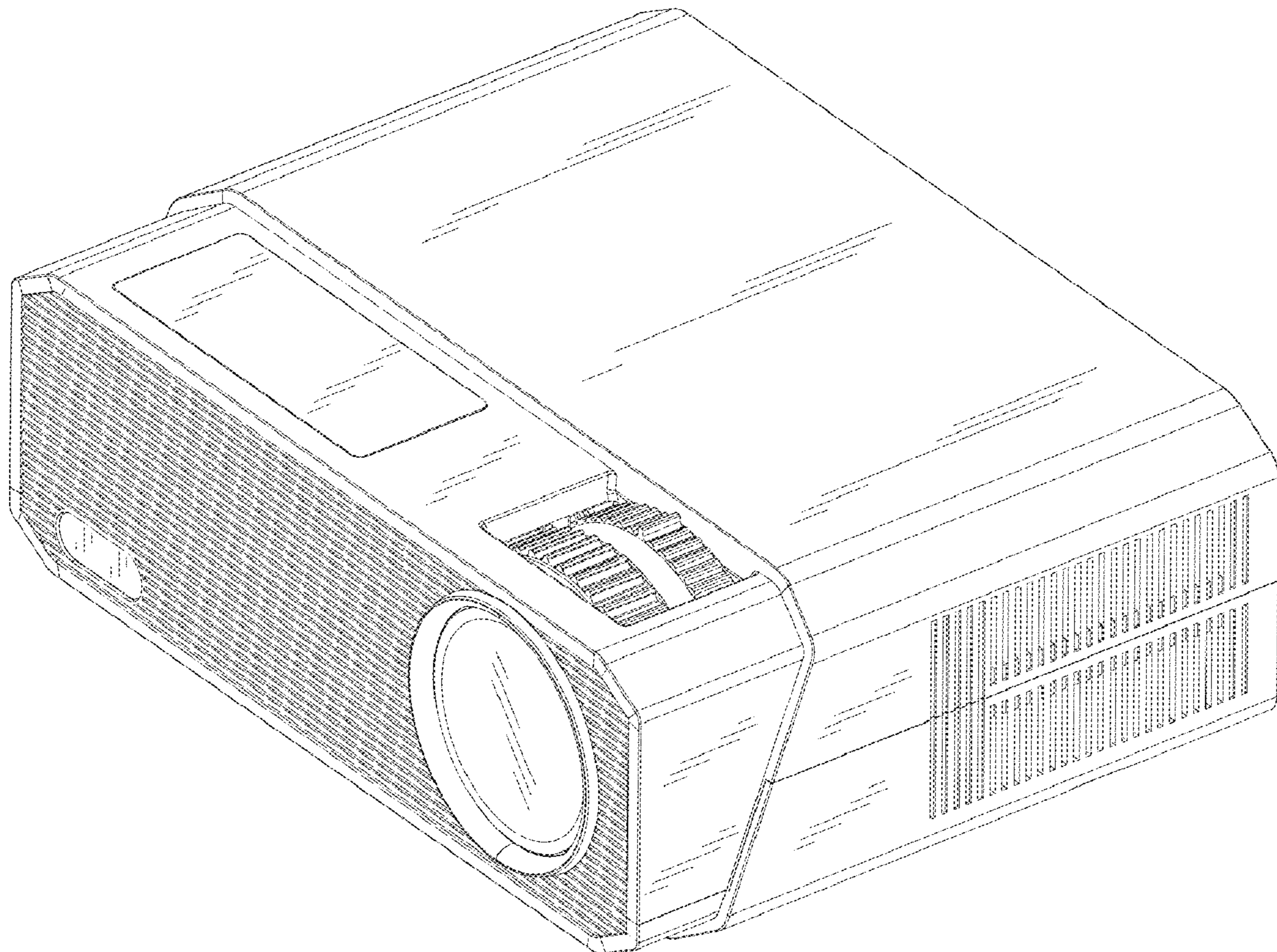
(56) **References Cited**

The broken lines in the drawings depict portions of the projector that form no part of the claimed design.

U.S. PATENT DOCUMENTS

D551,690 S * 9/2007 Kawabe D16/221
D588,619 S * 3/2009 Kawabe D16/230

1 Claim, 8 Drawing Sheets



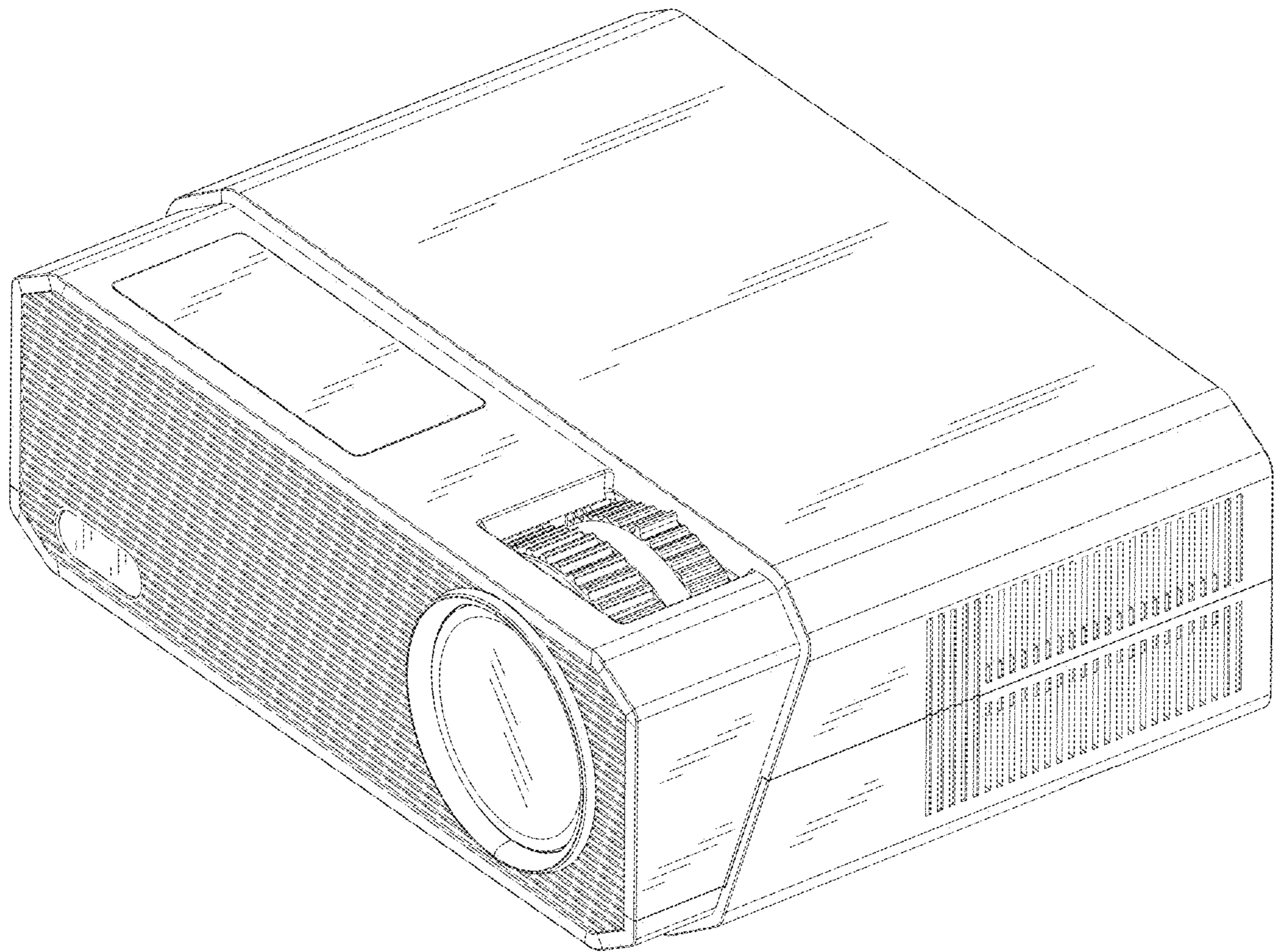


FIG. 1

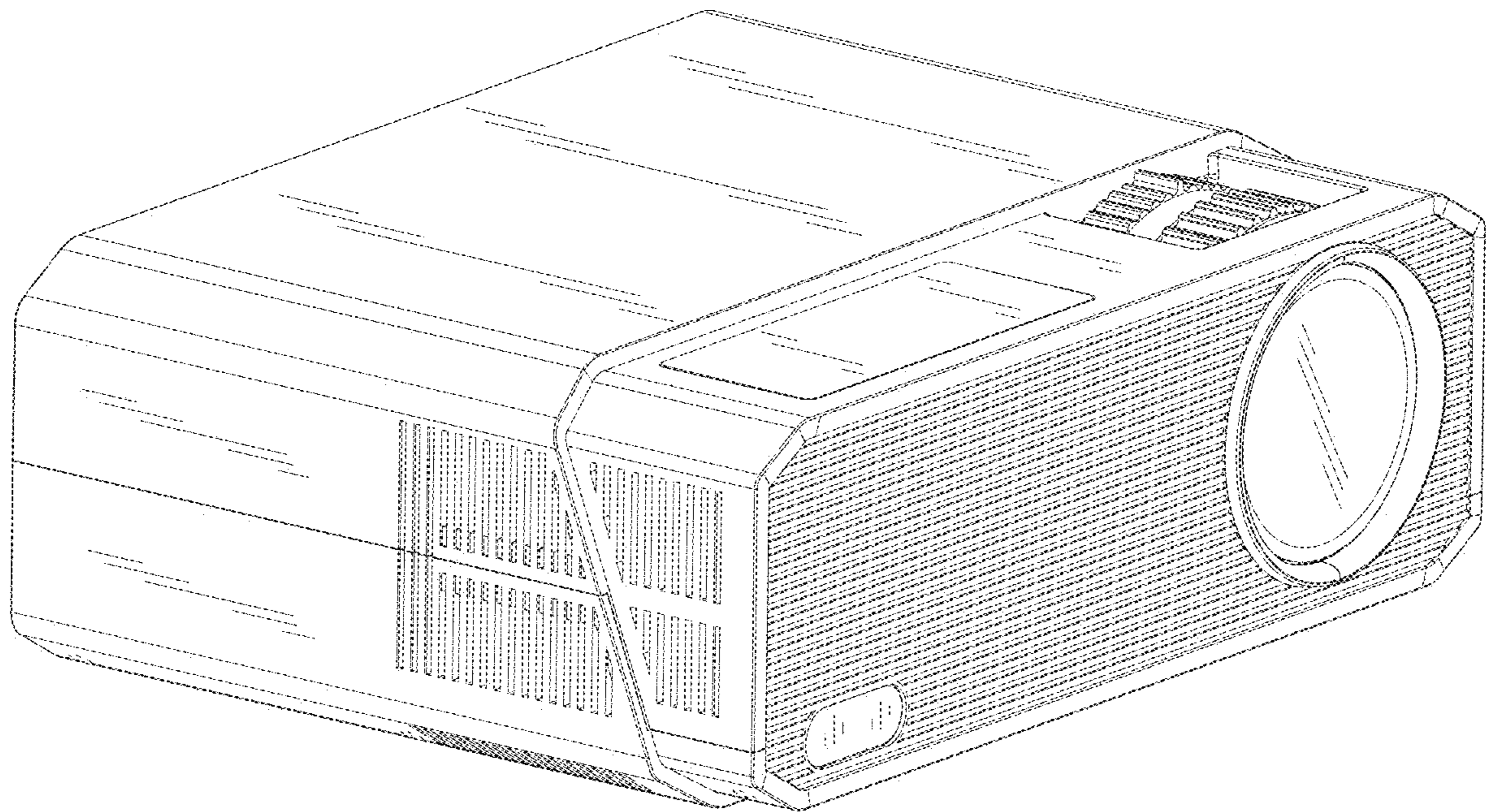


FIG. 2

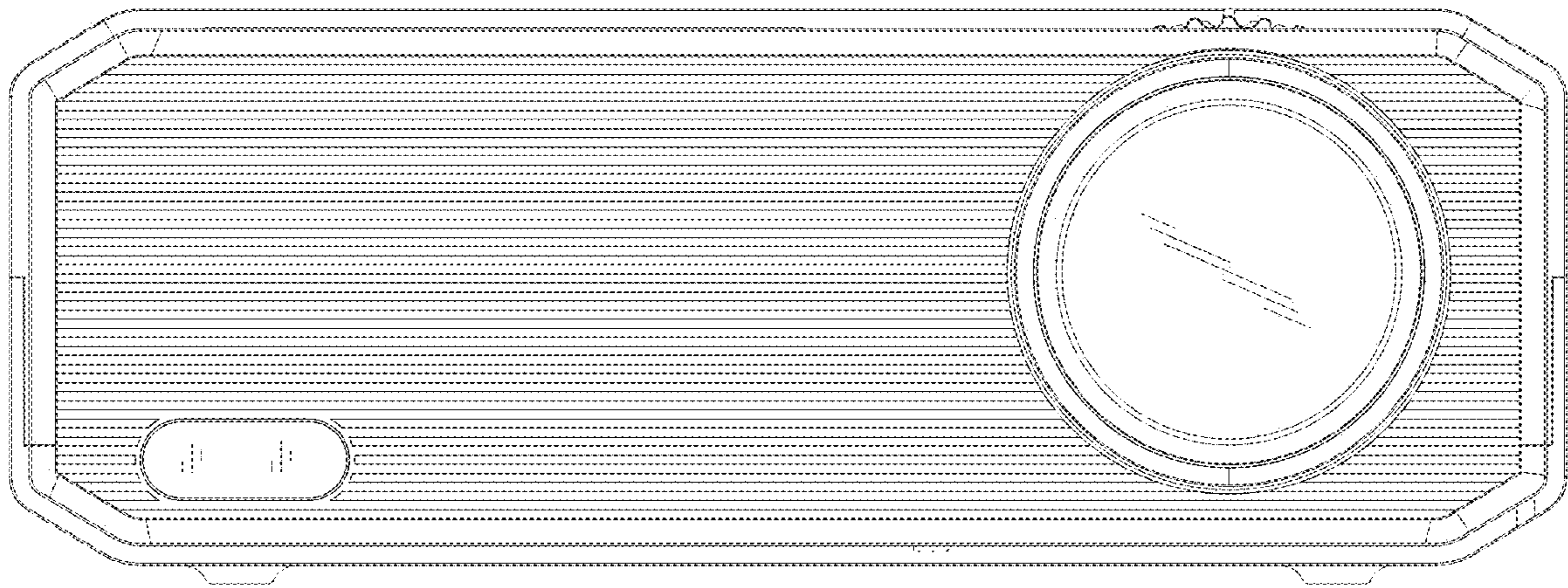


FIG. 3

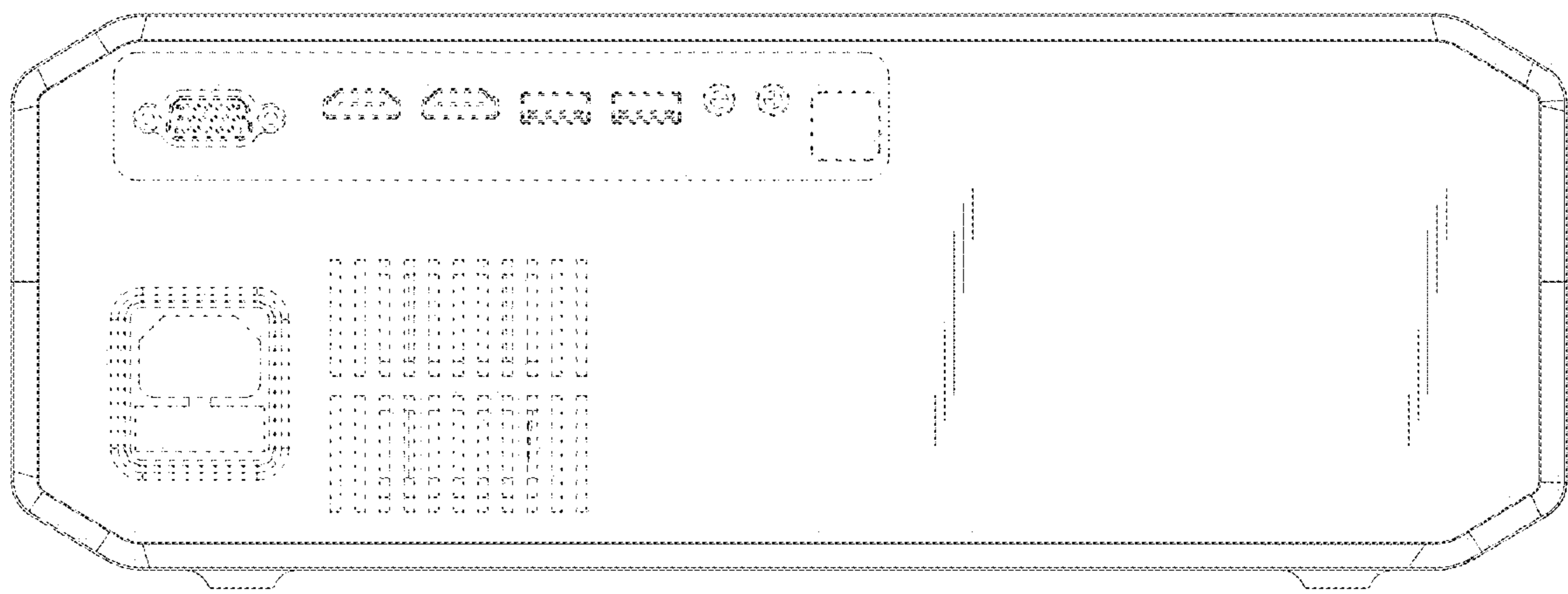


FIG. 4

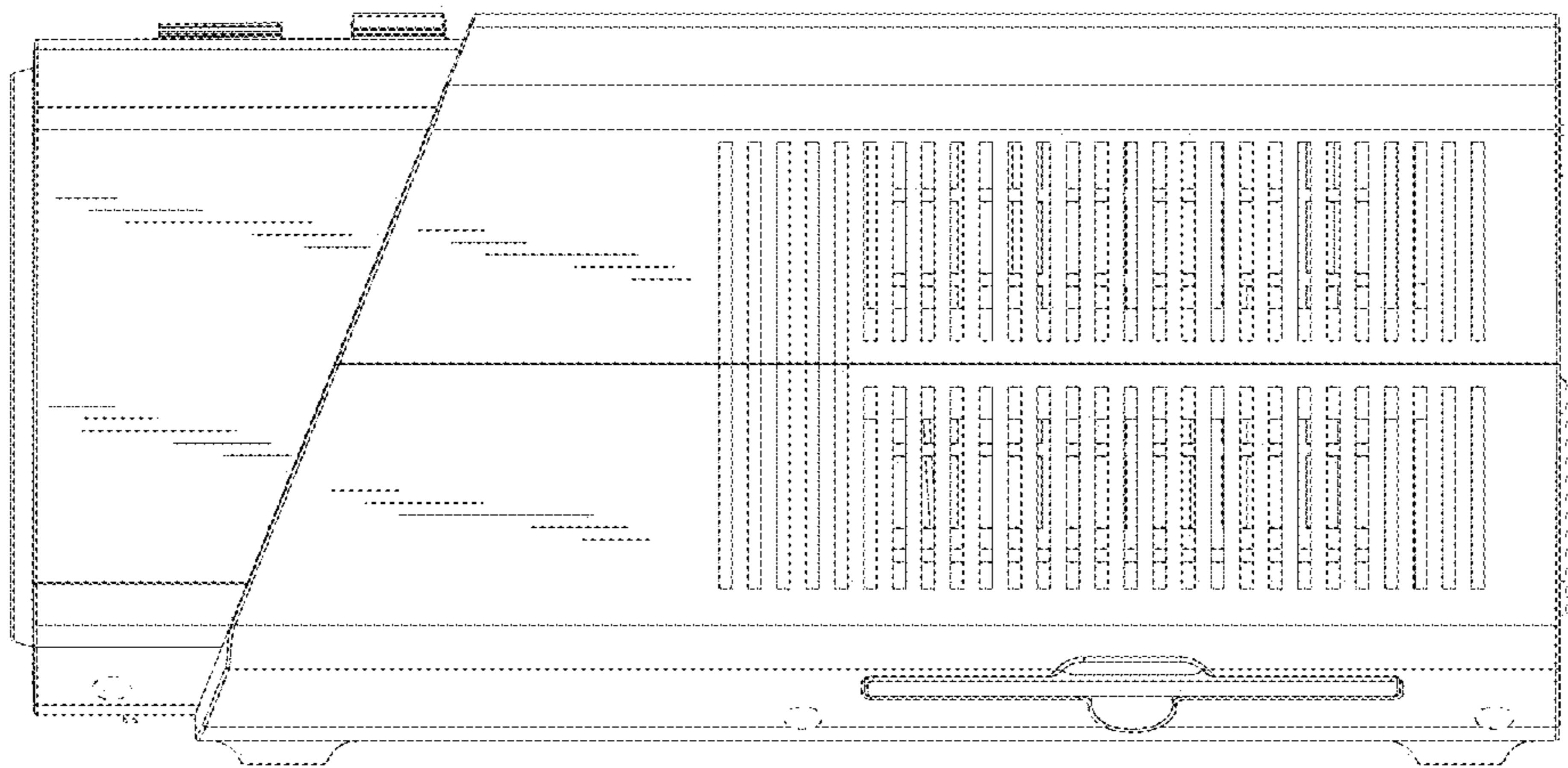


FIG. 5

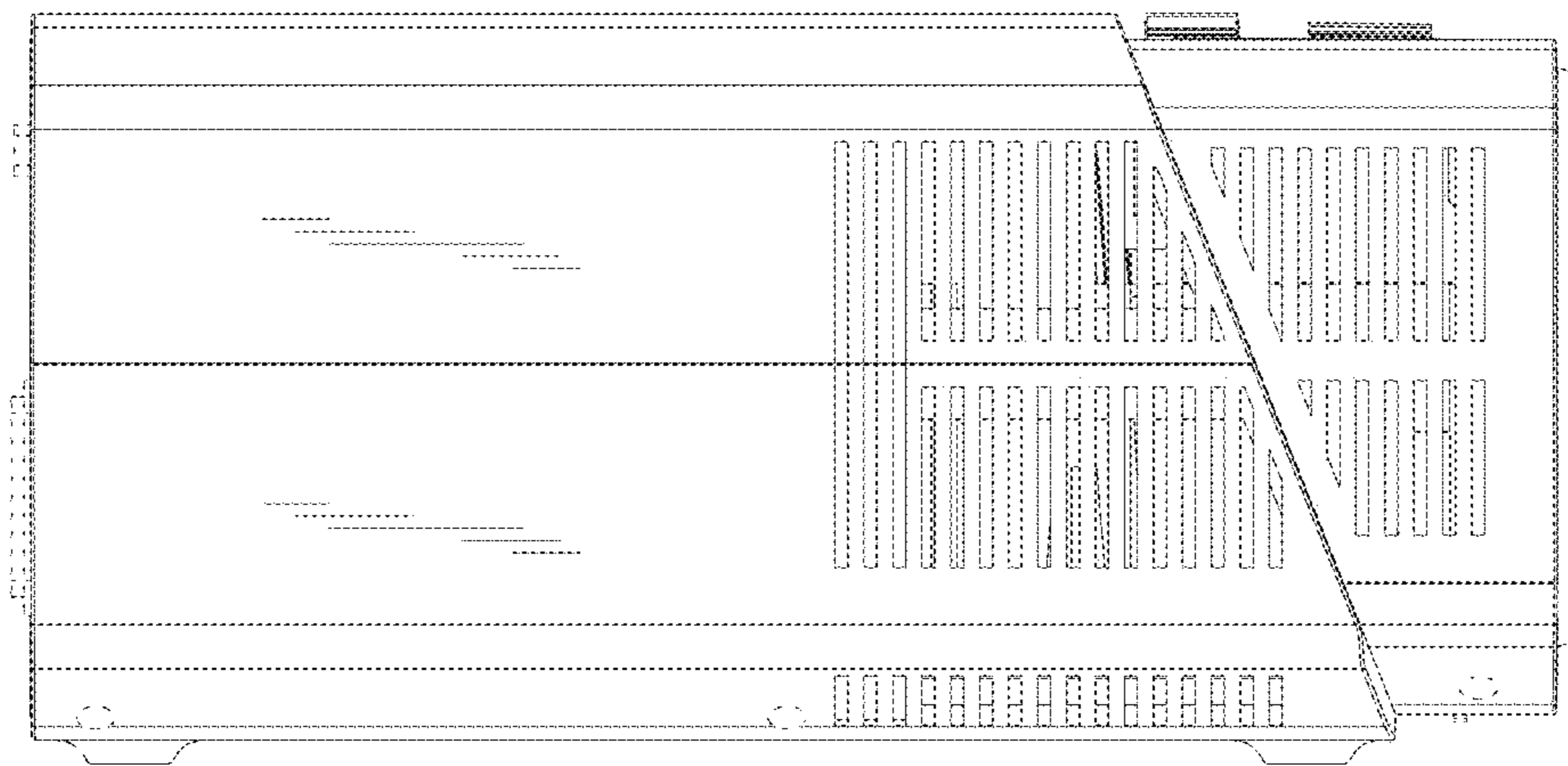


FIG. 6

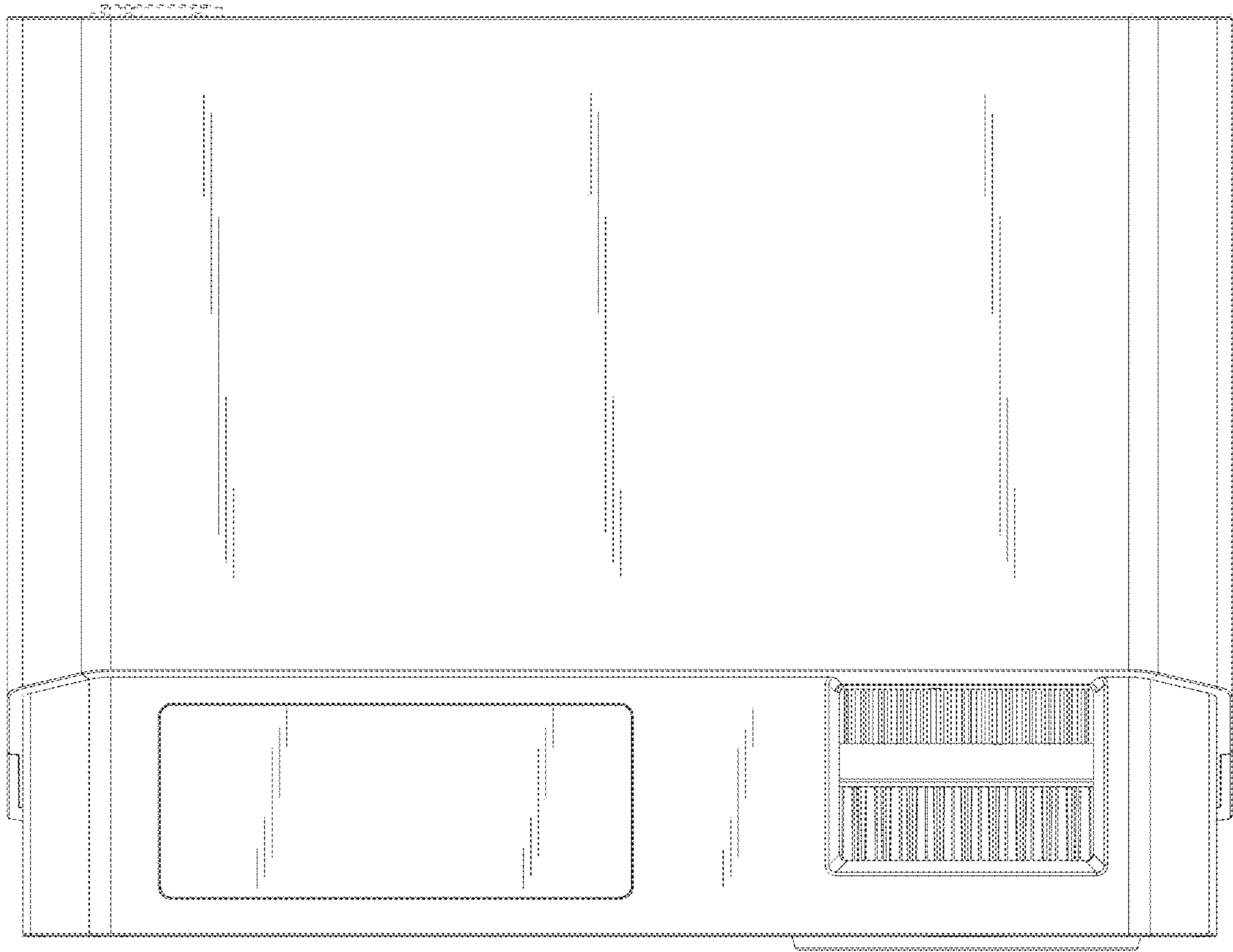


FIG. 7

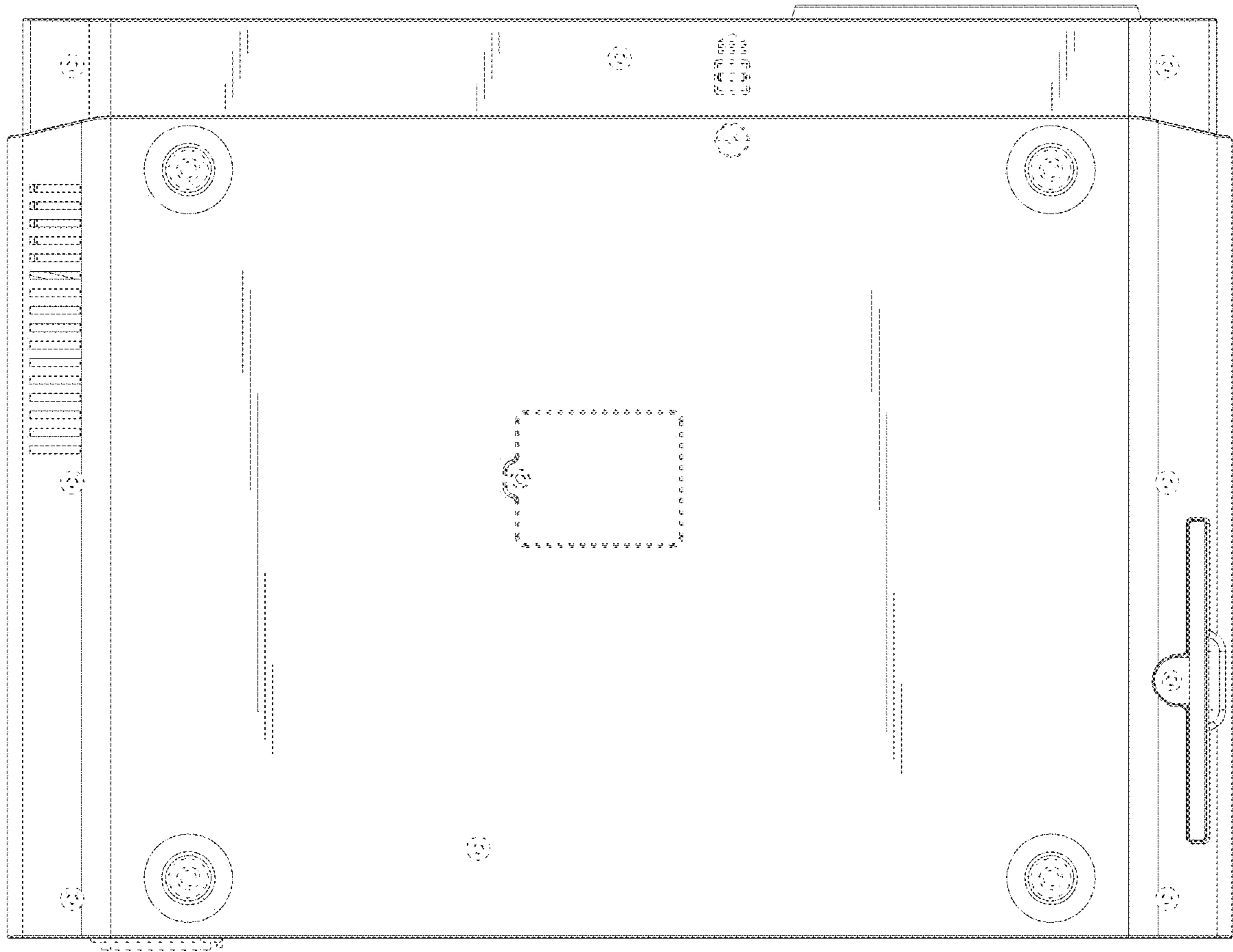


FIG. 8