



US00D966398S

(12) **United States Design Patent**
Minnis et al.

(10) **Patent No.:** **US D966,398 S**
(45) **Date of Patent:** **** Oct. 11, 2022**

(54) **PROJECTOR DEVICE**

(71) Applicant: **Amazon Technologies, Inc.**, Seattle, WA (US)
(72) Inventors: **Sydney Tye Minnis**, Seattle, WA (US); **Martin Aalund**, Seattle, WA (US); **Oszkar Tiberius Bajko**, Issaquah, WA (US); **Rahul Gupta**, Bothell, WA (US); **Mona Mayeh**, Seattle, WA (US); **Kristina Perez de Tagle**, Kent, WA (US); **Sudarshan Rangaraj**, Seattle, WA (US); **Ryan Scott Russell**, Bellevue, WA (US); **Hung-Bing Tan**, Seattle, WA (US); **Arivazhagan Chandrashekar**, Issaquah, WA (US); **Pierre Della Nave**, London (GB)

(73) Assignee: **Amazon Technologies, Inc.**, Seattle, WA (US)

(**) Term: **15 Years**

(21) Appl. No.: **29/757,909**

(22) Filed: **Nov. 10, 2020**

(51) **LOC (13) Cl.** **16-02**

(52) **U.S. Cl.**
USPC **D16/225; D16/230**

(58) **Field of Classification Search**
USPC D16/221, 225, 229-231; D21/514
CPC G03B 21/145; G03B 21/14; G03B 21/16; G03B 21/00; G03B 21/001; G03B 21/12
See application file for complete search history.

(56) **References Cited**

U.S. PATENT DOCUMENTS

2,060,560 A * 11/1936 Ellis, Jr. G03B 21/145
353/77
D670,321 S * 11/2012 Chien D16/221

D770,554 S * 11/2016 Han D16/225
D781,365 S * 3/2017 Kim D16/230
D781,366 S * 3/2017 Kim D16/230
9,612,513 B2 * 4/2017 Yoshida G03B 21/00
D858,613 S * 9/2019 Cho D16/221
10,884,325 B2 * 1/2021 Chien G03B 21/145

OTHER PUBLICATIONS

Office Action for U.S. Appl. No. 29/785,401, dated Mar. 29, 2022, Minnis, "Projector Device", 9 pages.

* cited by examiner

Primary Examiner — Wan Laymon

(74) *Attorney, Agent, or Firm* — Lee & Hayes, P.C.

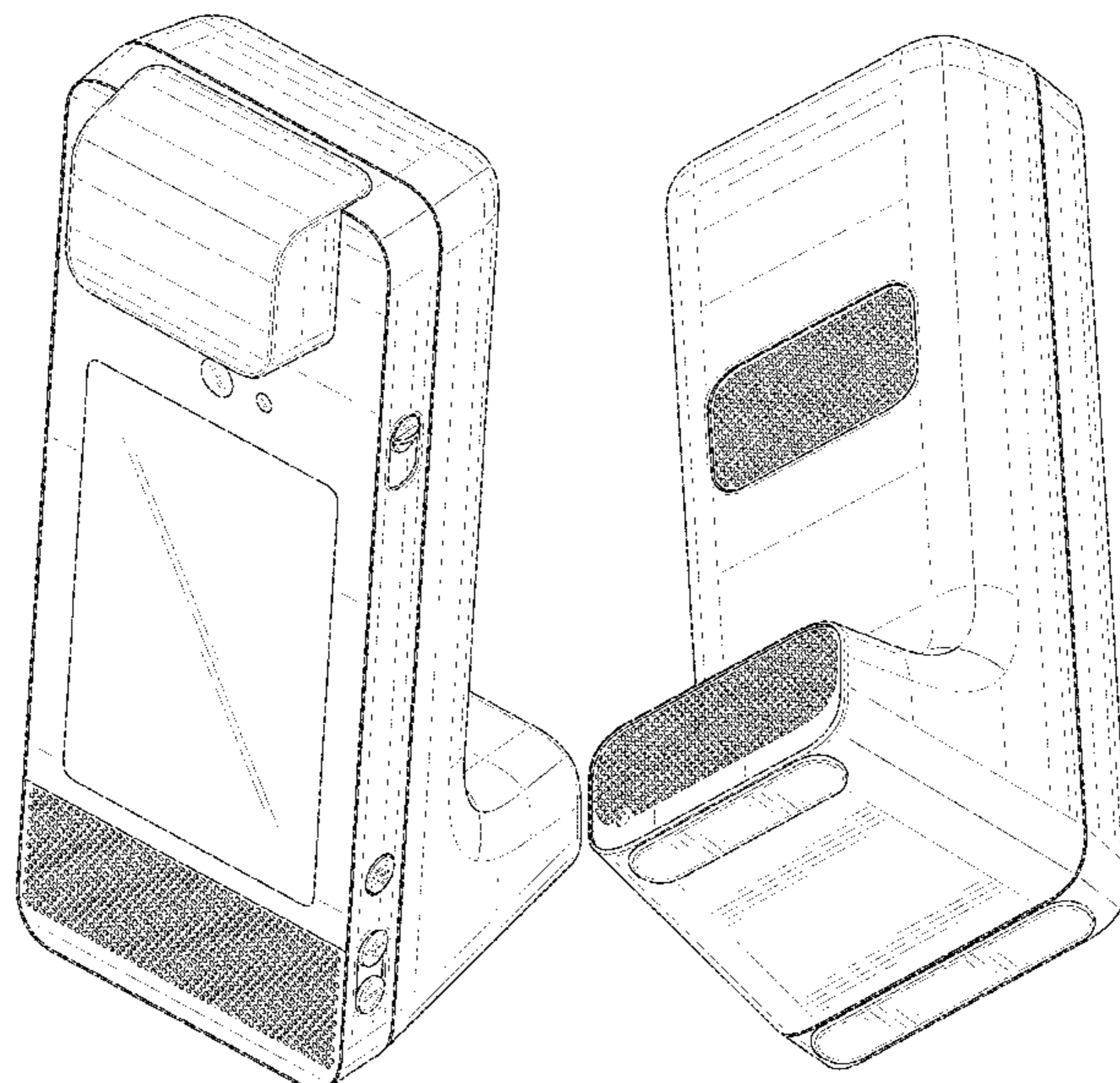
(57) **CLAIM**

The ornamental design for a projector device, as shown and described.

DESCRIPTION

FIG. 1 is a top, front, right-side perspective view of a projector device;
FIG. 2 is a bottom, back, left-side perspective view thereof;
FIG. 3 is a front view thereof;
FIG. 4 is a back view thereof;
FIG. 5 is a right-side view thereof;
FIG. 6 is a left-side view thereof;
FIG. 7 is a top view thereof; and,
FIG. 8 is a bottom view thereof.
The dashed broken lines depict portions of the projector device form no part of the claimed design.

1 Claim, 8 Drawing Sheets



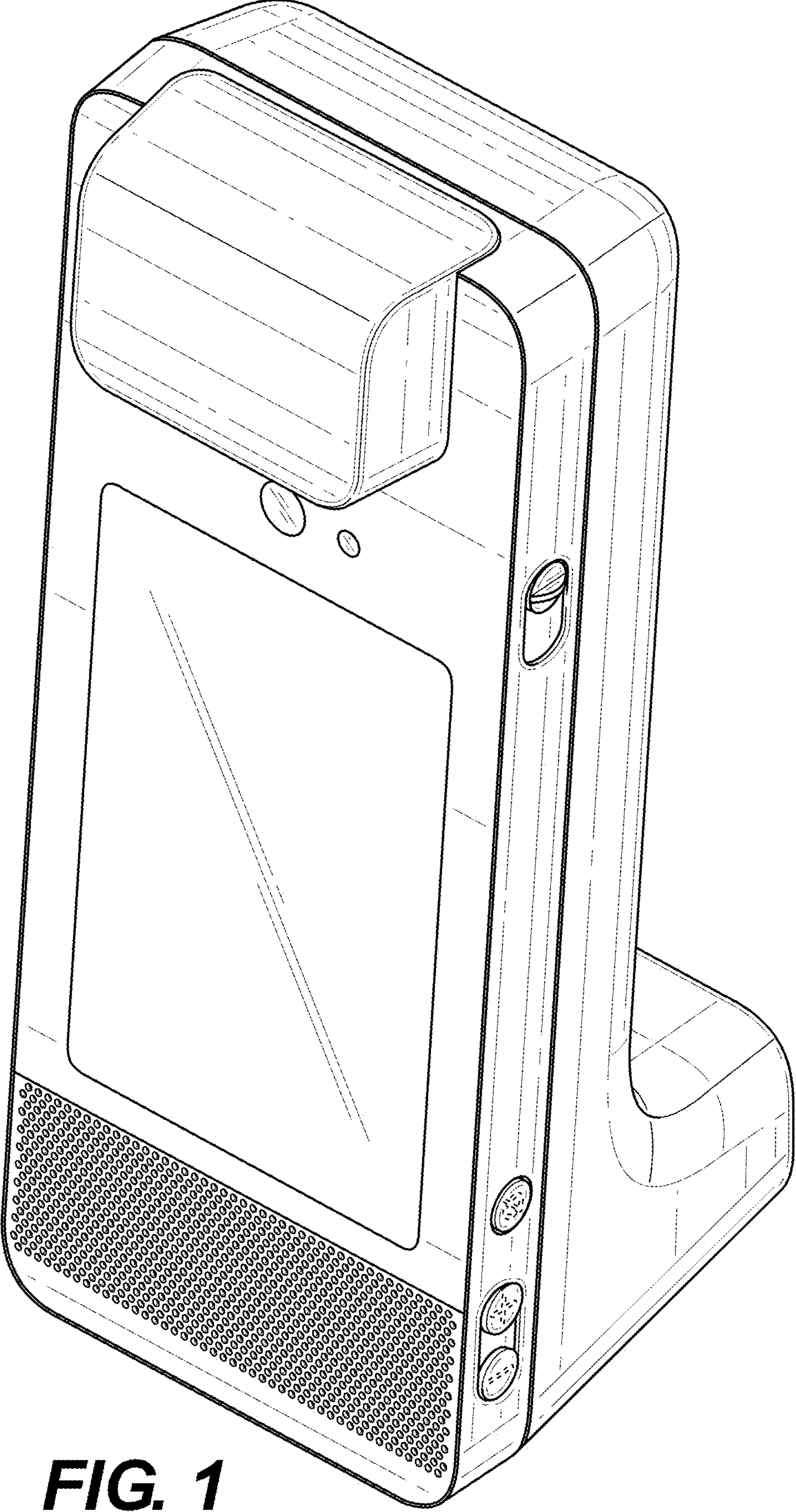


FIG. 1

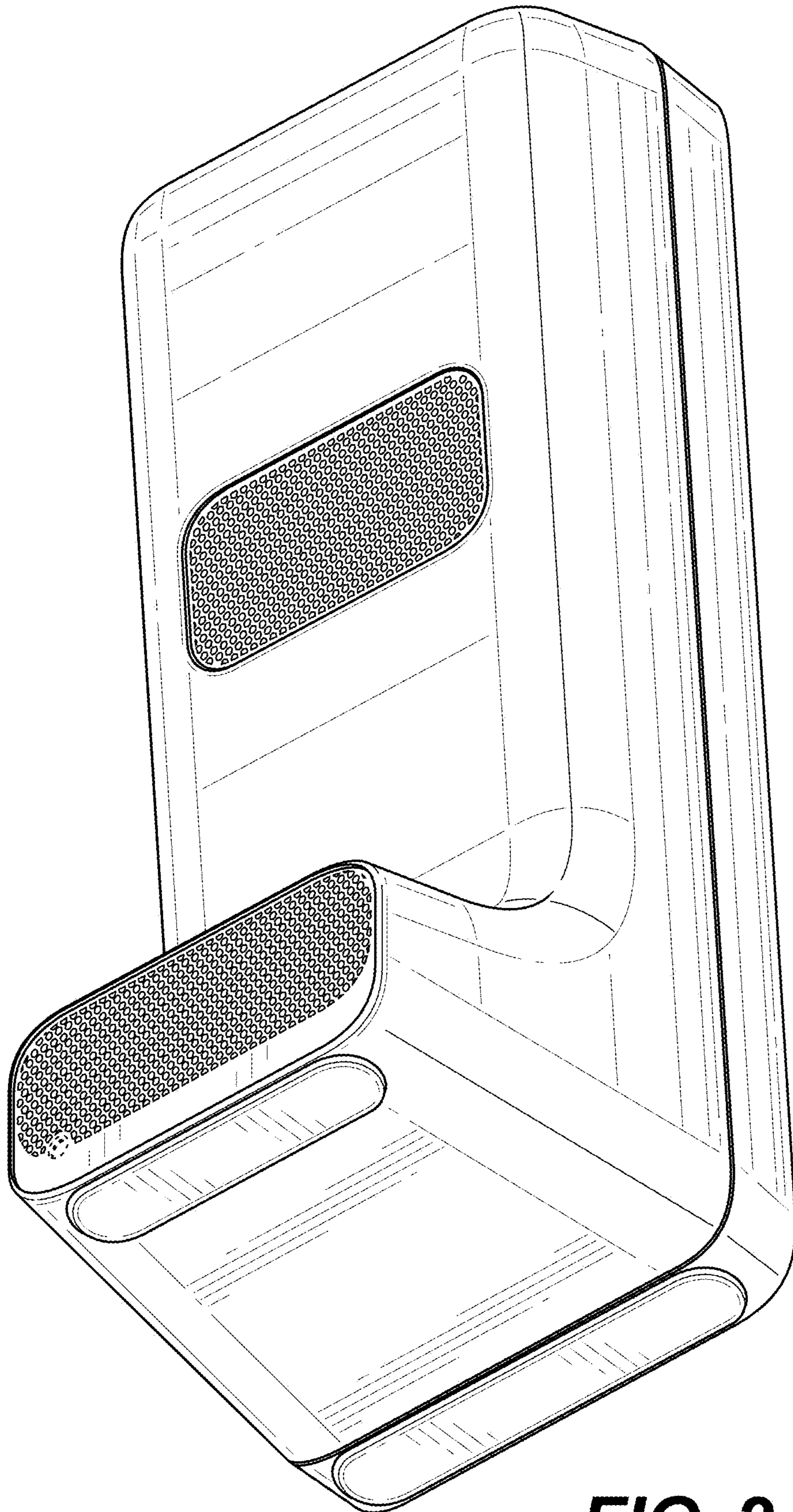


FIG. 2

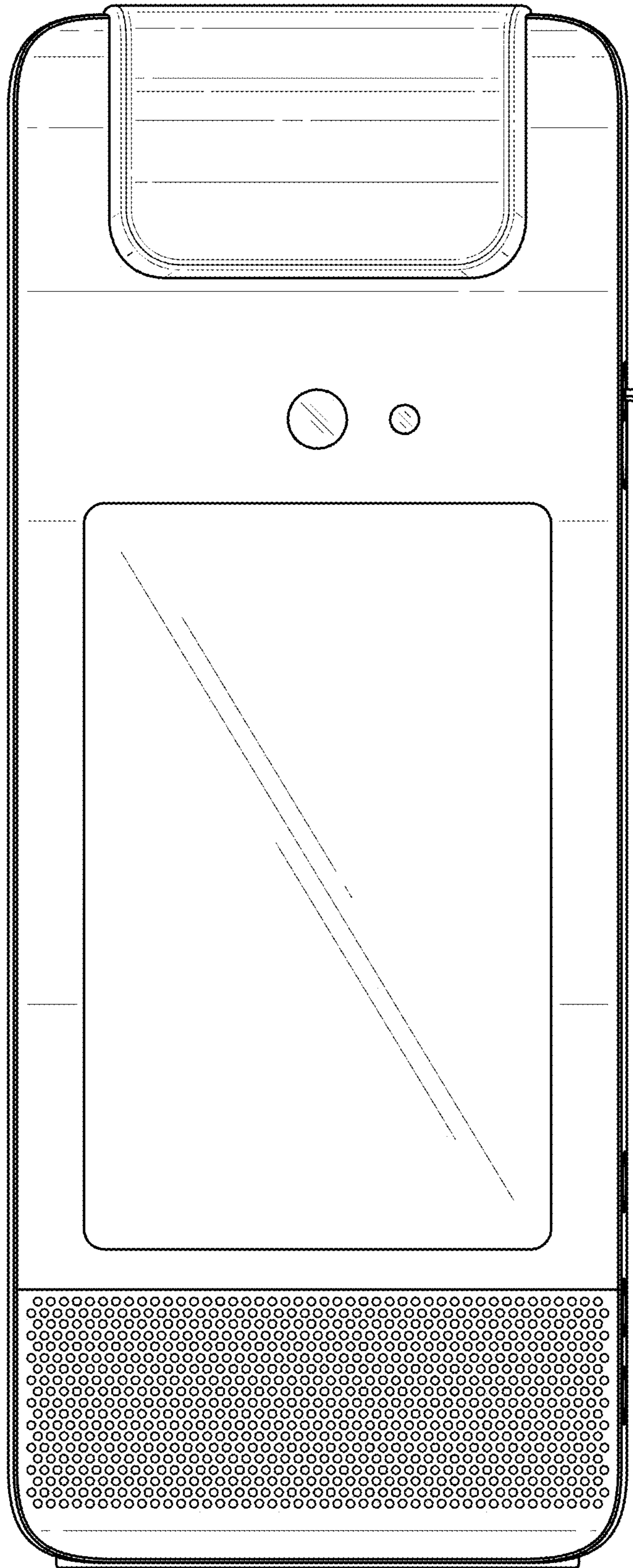


FIG. 3

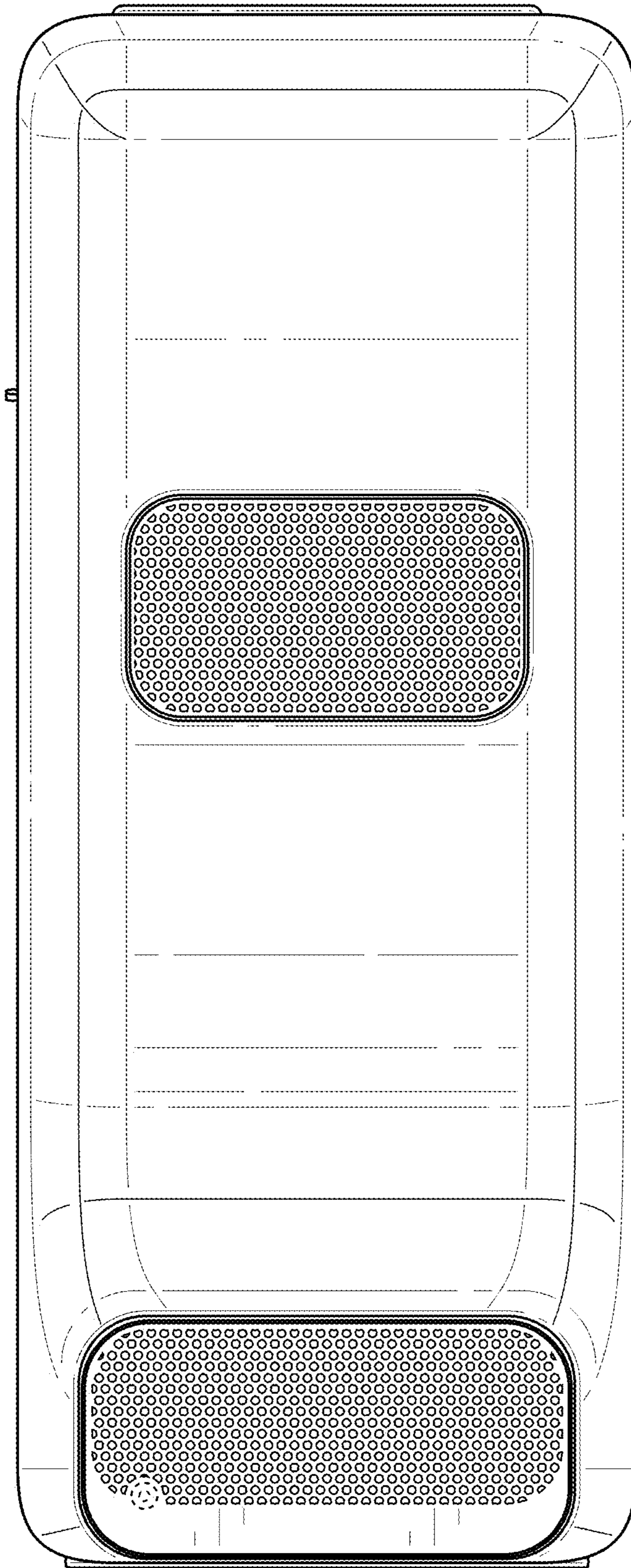


FIG. 4

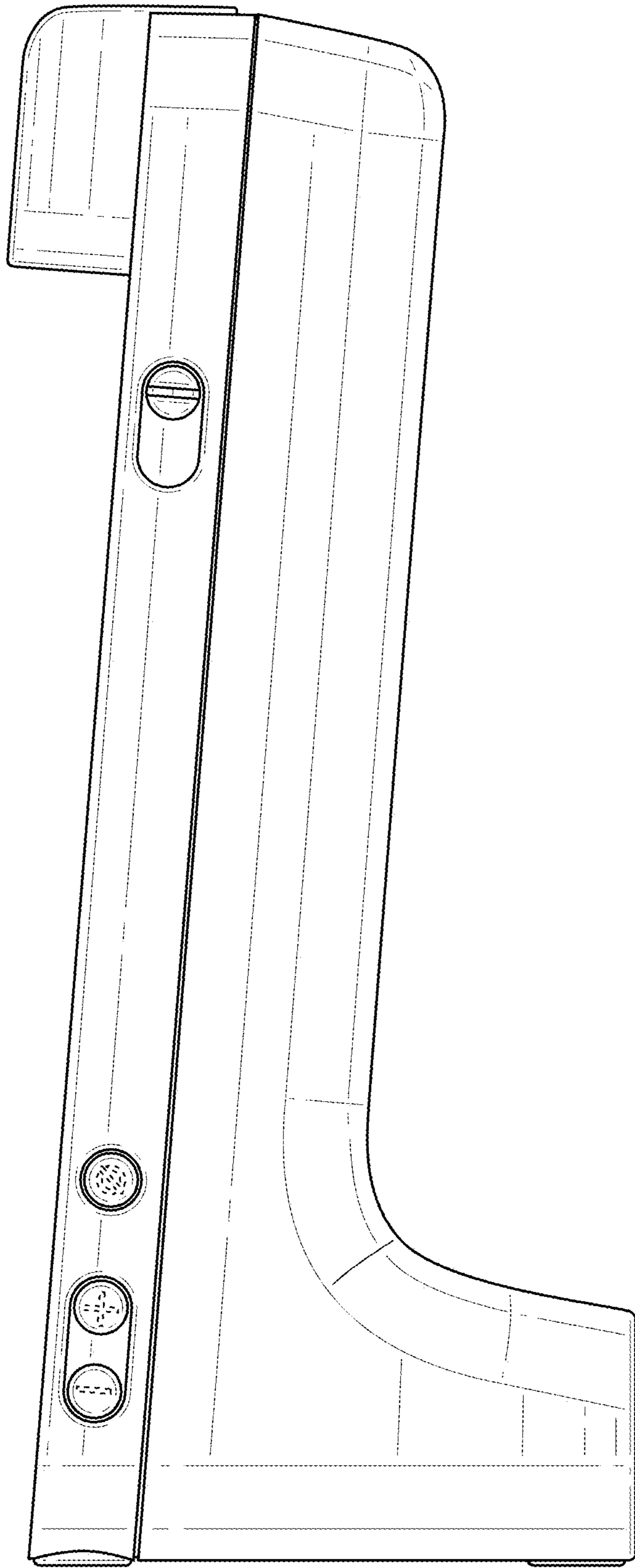


FIG. 5

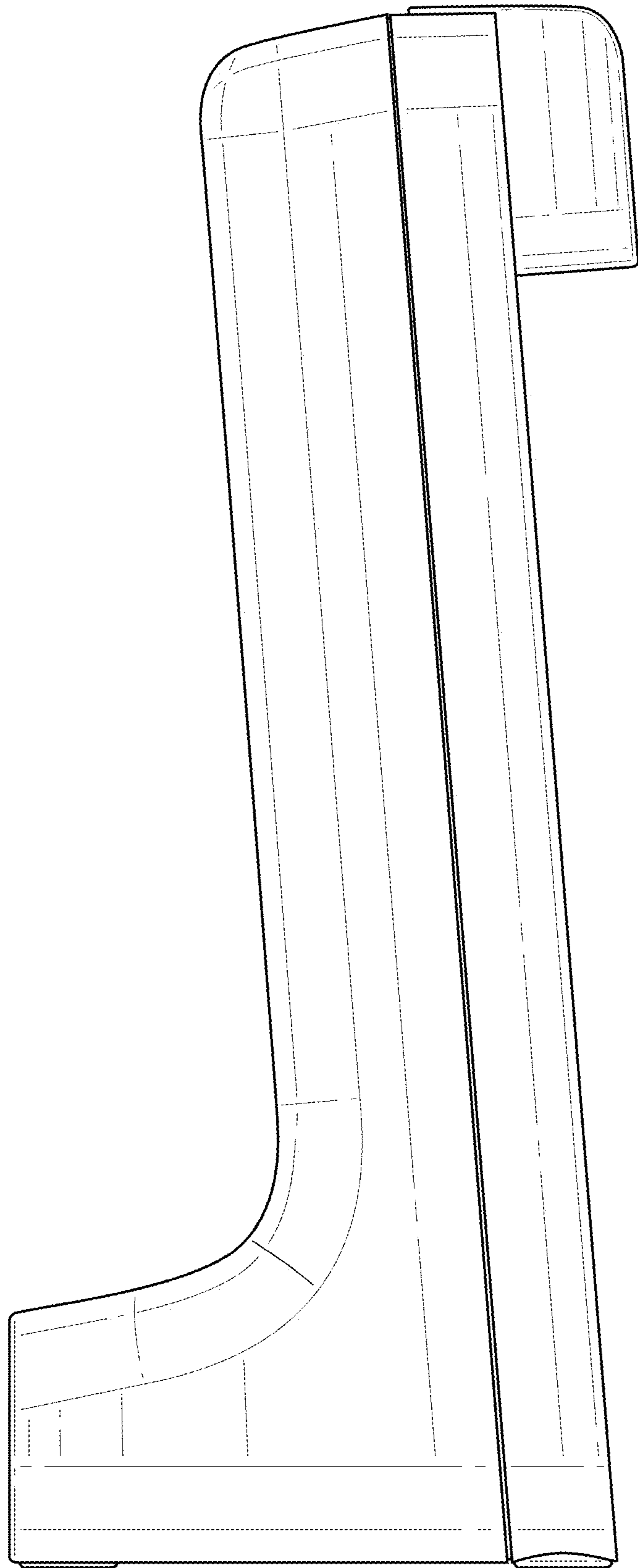


FIG. 6

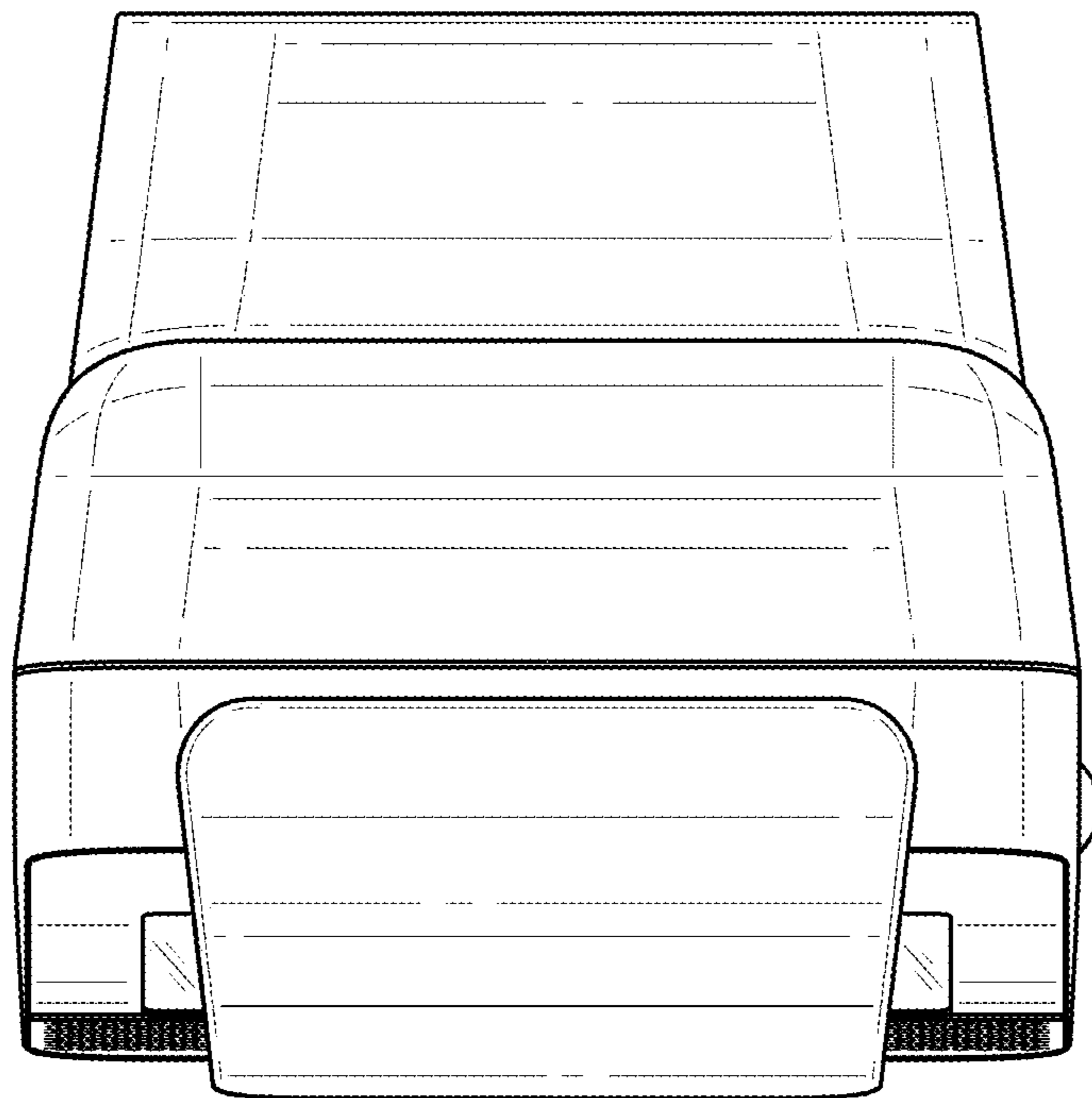


FIG. 7

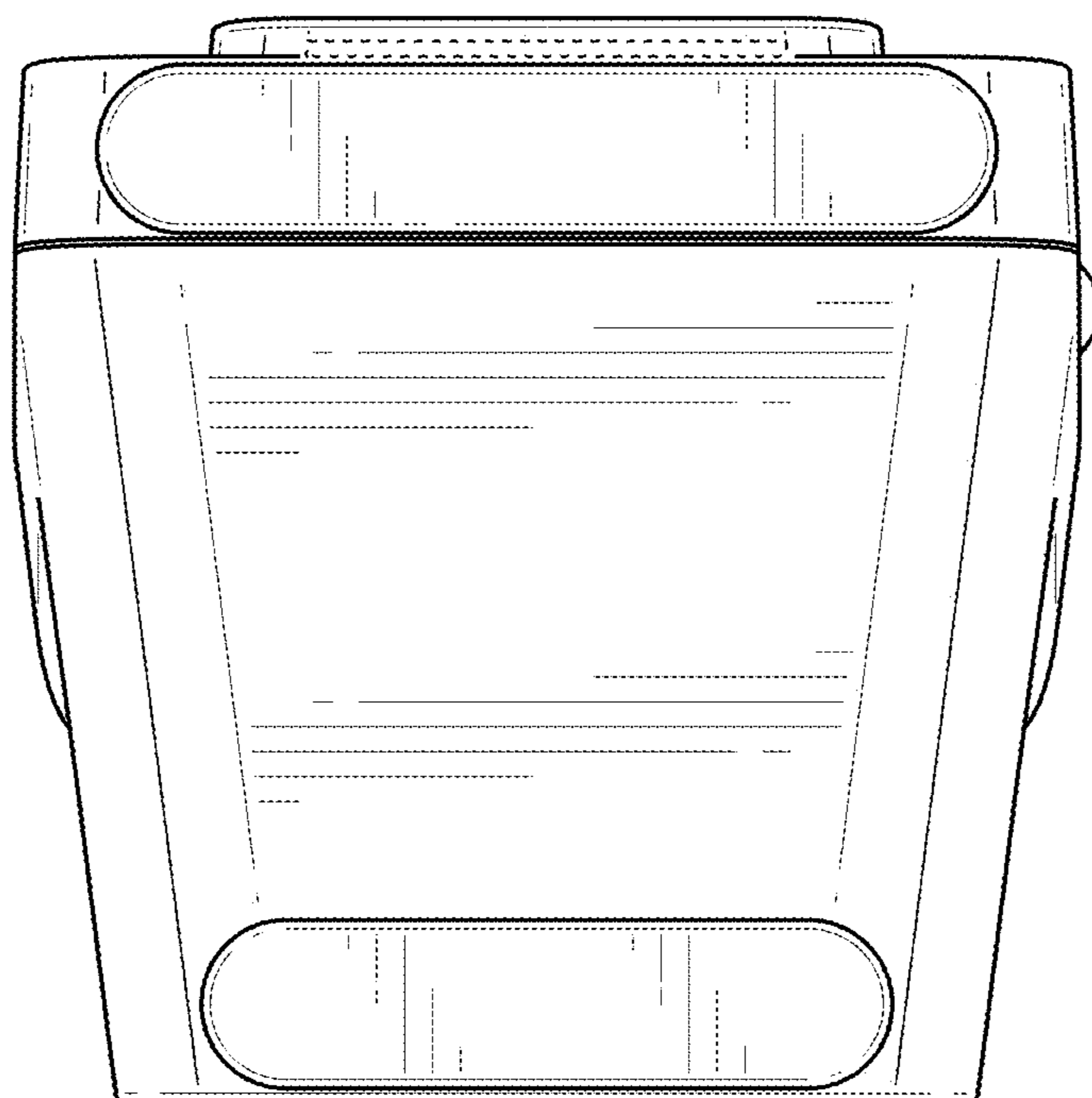


FIG. 8