



US00D966391S

(12) **United States Design Patent**
Zhou

(10) **Patent No.:** **US D966,391 S**
(45) **Date of Patent:** **** Oct. 11, 2022**

- (54) **DASHBOARD CAMERA**
- (71) Applicant: **Shenzhen Jinliang Electronic Technology Co., Ltd., Shenzhen (CN)**
- (72) Inventor: **Liangbing Zhou, Sichuan (CN)**
- (73) Assignee: **Shenzhen Jinliang Electronic Technology Co., Ltd., Shenzhen (CN)**
- (**) Term: **15 Years**

D875,803 S *	2/2020	Yuan	D16/202
D881,254 S *	4/2020	Guo	D16/202
D884,054 S *	5/2020	Mihara	D16/208
D887,475 S *	6/2020	Hsu	D16/208
D887,476 S *	6/2020	Hsu	D16/208

(Continued)

- (21) Appl. No.: **29/838,224**
- (22) Filed: **May 11, 2022**
- (51) **LOC (13) Cl.** **16-01**
- (52) **U.S. Cl.**
USPC **D16/202**
- (58) **Field of Classification Search**
USPC D16/200–203, 208, 217–218; D10/46, D10/61, 62, 70, 104.1, 106.6, 109.1, D10/109.2; D14/125, 203.1, 204, 317, D14/474, 496
CPC G03B 17/02; G03B 21/10; G03B 2217/00; H04N 5/2251; H04N 5/2252; H04N 5/23216
See application file for complete search history.

FOREIGN PATENT DOCUMENTS

EM	009020803-0001	*	5/2022
EM	009085202-0002	*	7/2022
GB	6201343	*	4/2022

OTHER PUBLICATIONS

“Kingslim D2 2.5K Dual Dash Cam, 1440P&1080P Front and Rear Camera for Cars 170 Degree Driving Recorder with Sony Starvis Sensor Night Vision G-Sensor Parking Mode Support 128GB Max” from Amazon.com, first available Jun. 4, 2020 from the internet <https://www.amazon.com/dp/B089N7C98G?linkCode=ogi&tag=caranddriver_auto-append-20&ascsubtag=%5Bartid%7C10048.a.36972378%5Bsrc%7C%5Bch%7C%5Blt%7C&th=1>(Year: 2020)*

(Continued)

Primary Examiner — Elizabeth J Oswecki
Assistant Examiner — Lacey Chey Bowman

(57) **CLAIM**

The ornamental design for a dashboard camera, substantially as shown and described.

(56) **References Cited**

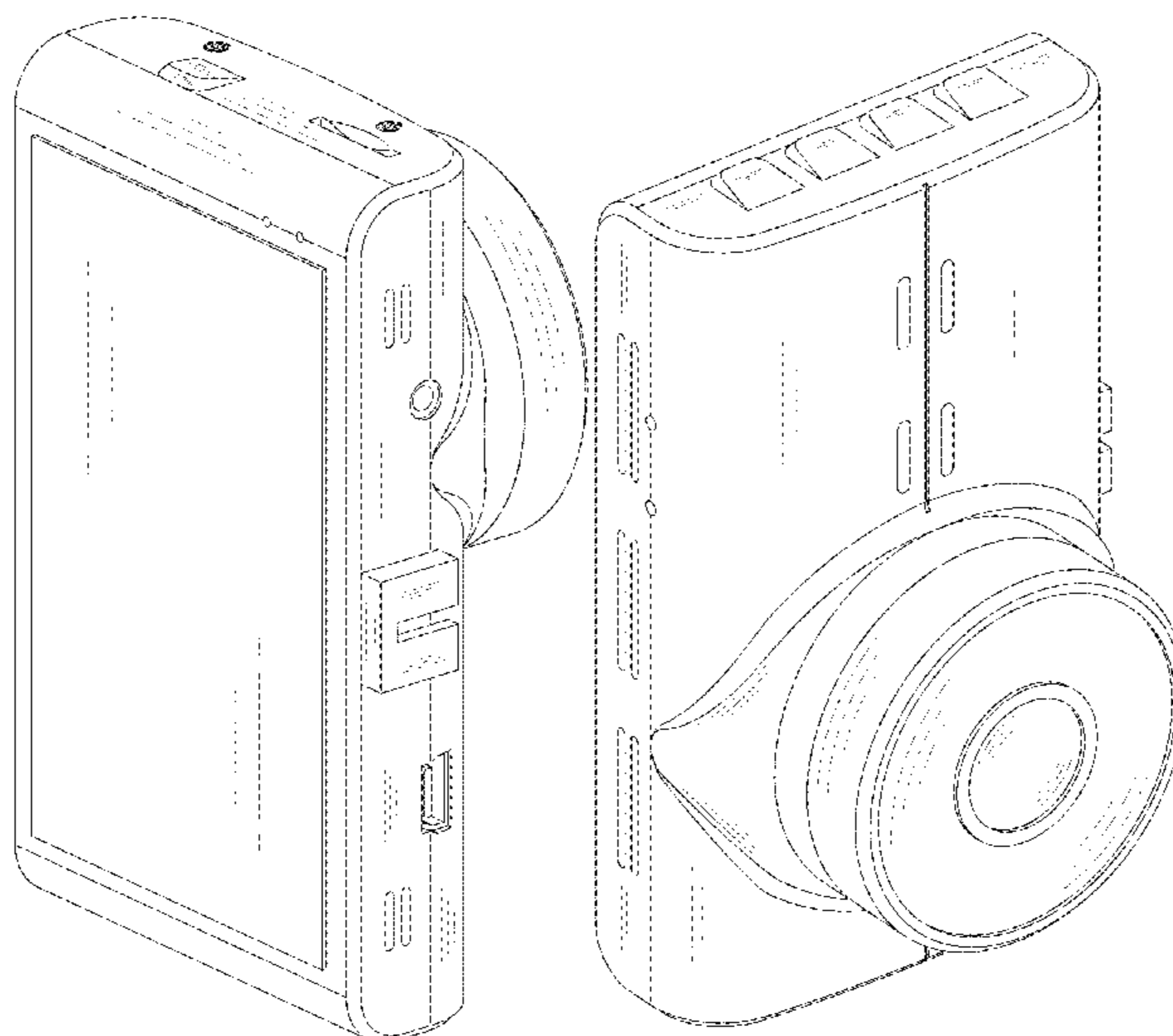
U.S. PATENT DOCUMENTS

D643,056 S *	8/2011	Zaliauskas	D16/202
D747,386 S *	1/2016	Li	D16/208
D753,749 S *	4/2016	Zhu	D16/202
D755,874 S *	5/2016	Yang	D16/202
D756,436 S *	5/2016	Ku	D16/218
D766,351 S *	9/2016	Li	D16/202
D772,966 S *	11/2016	Song	D16/200
D816,144 S *	4/2018	Vigren	D16/203
D819,111 S *	5/2018	Singh	
D825,636 S *	8/2018	Hueber	D16/202
D856,392 S *	8/2019	Luo	D16/202
D857,076 S *	8/2019	Gan	D16/202
D867,420 S *	11/2019	Zhang	D16/202

DESCRIPTION

FIG. 1 is a front perspective view of a dashboard camera, showing my new design;
FIG. 2 is a rear perspective view thereof;
FIG. 3 is a front elevation view thereof;
FIG. 4 is a rear elevation view thereof;
FIG. 5 is a left side elevation view thereof;
FIG. 6 is a right side elevation view thereof;
FIG. 7 is a top plan view thereof; and,
FIG. 8 is a bottom plan view thereof.

1 Claim, 8 Drawing Sheets



(56)

References Cited

U.S. PATENT DOCUMENTS

D888,127	S *	6/2020	Lee	D16/202
D888,801	S *	6/2020	Hsu	D16/208
D892,901	S *	8/2020	Xu	D16/218
D893,578	S *	8/2020	Denby	D16/218
D898,095	S *	10/2020	Jang	D16/202
D907,093	S *	1/2021	Hung	D16/202
D908,766	S *	1/2021	He	D16/208
D908,772	S	1/2021	Grant		
D914,782	S *	3/2021	Huang	D16/202
D921,736	S *	6/2021	Yin	D16/208
D923,075	S *	6/2021	Grant	D16/208
D934,943	S *	11/2021	Zhao	D16/218
D939,608	S *	12/2021	Han	D16/202
D939,610	S *	12/2021	Han	D16/202
2010/0194931	A1 *	8/2010	Kawaguchi	H04N 5/23222 348/240.99
2017/0195550	A1 *	7/2017	Kim	H04N 5/23216
2022/0141385	A1 *	5/2022	Ishihara	H01H 13/66 348/207.99

OTHER PUBLICATIONS

“Dash Cam for Cars 1080P FHD Car Dash Camera CHORTAU 2021 New Version Car Camera Recorder 3.2Inch Screen Dashboard Camera with 170°Wide Angle, Super Night Version, WDR, Loop Recording, Parking Monitor” from Walmart.com, first retrieved Aug. 8, 2022 from the internet <<https://www.walmart.com/ip/Dash-Cam-Cars-1080P-FHD-Car-Camera-CHORTAU-2021-New-Version-Recorder-3-2Inch-Screen-Dashboard-170-Wide-Angle-Super-Night-Version-WDR-Loop-Recording-P/344045166>>(Year: 2022).*

* cited by examiner

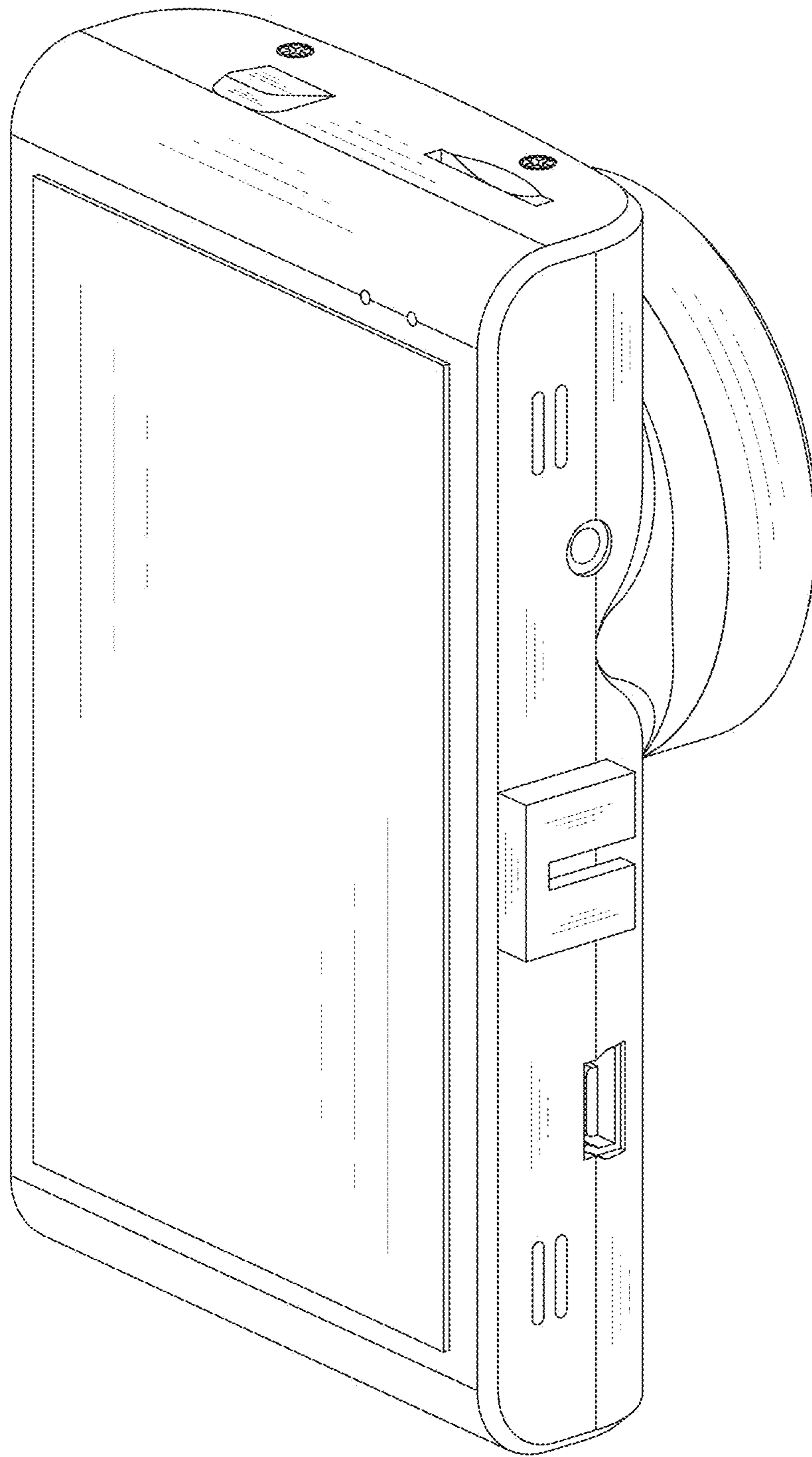


FIG. 1

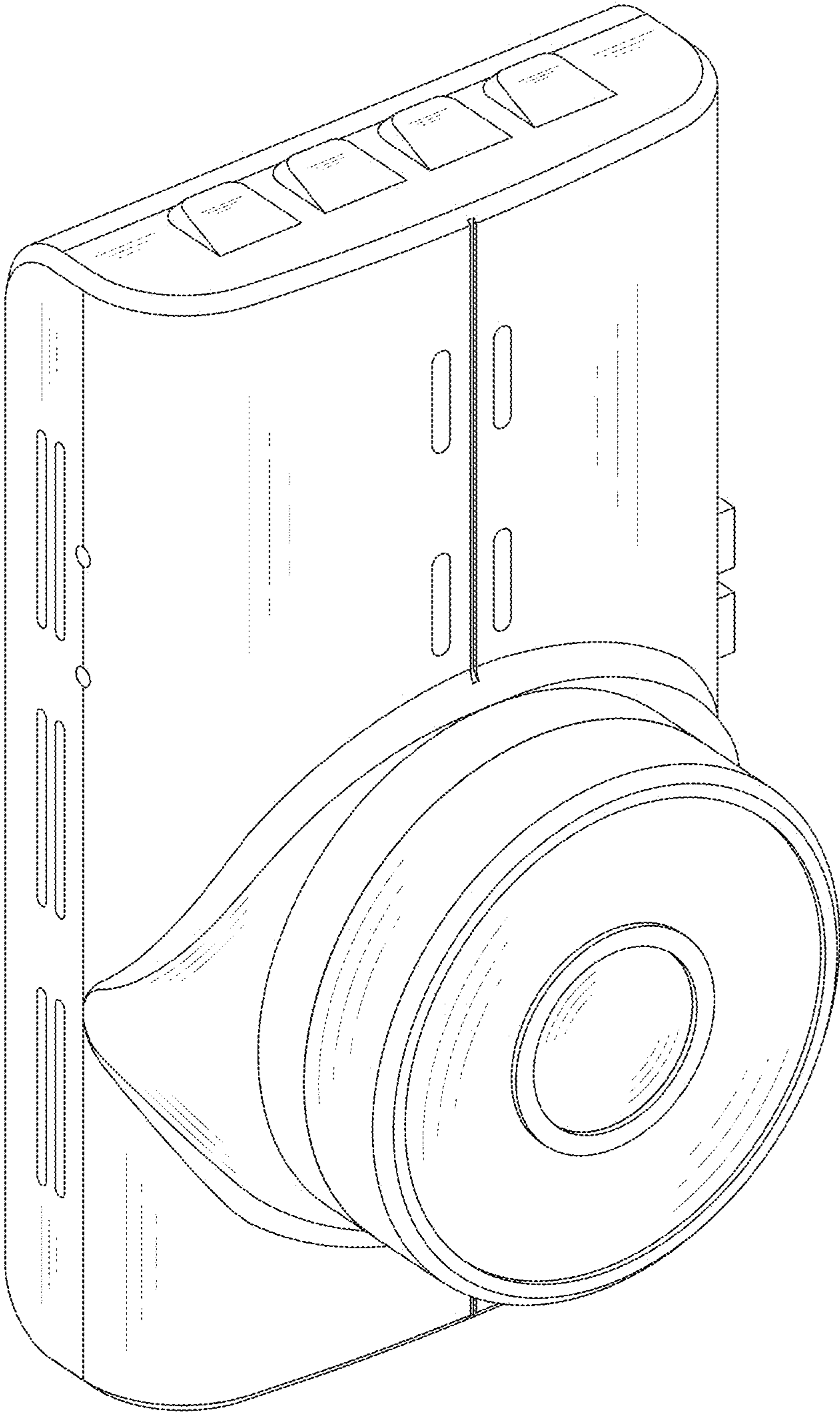


FIG. 2

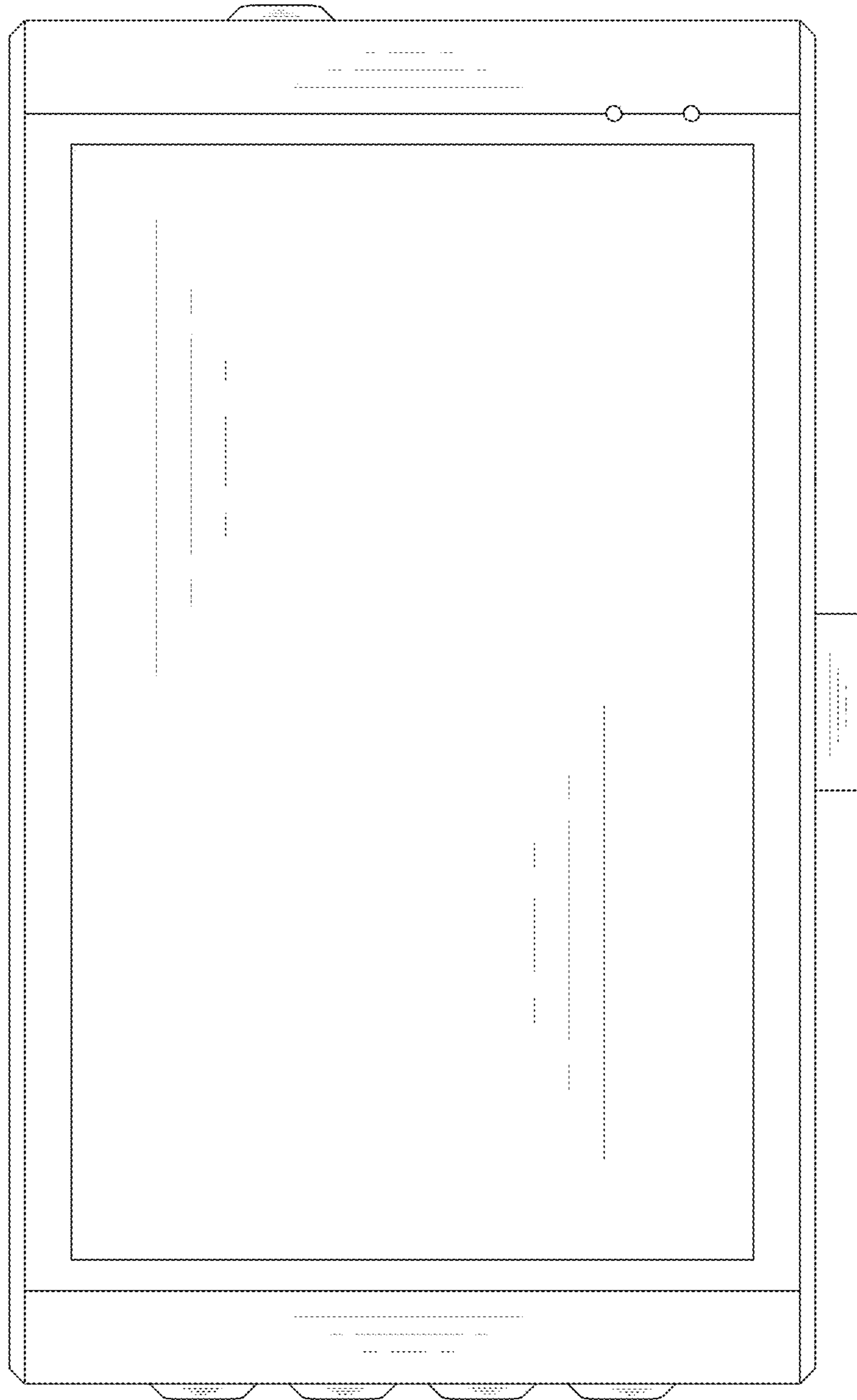


FIG. 3

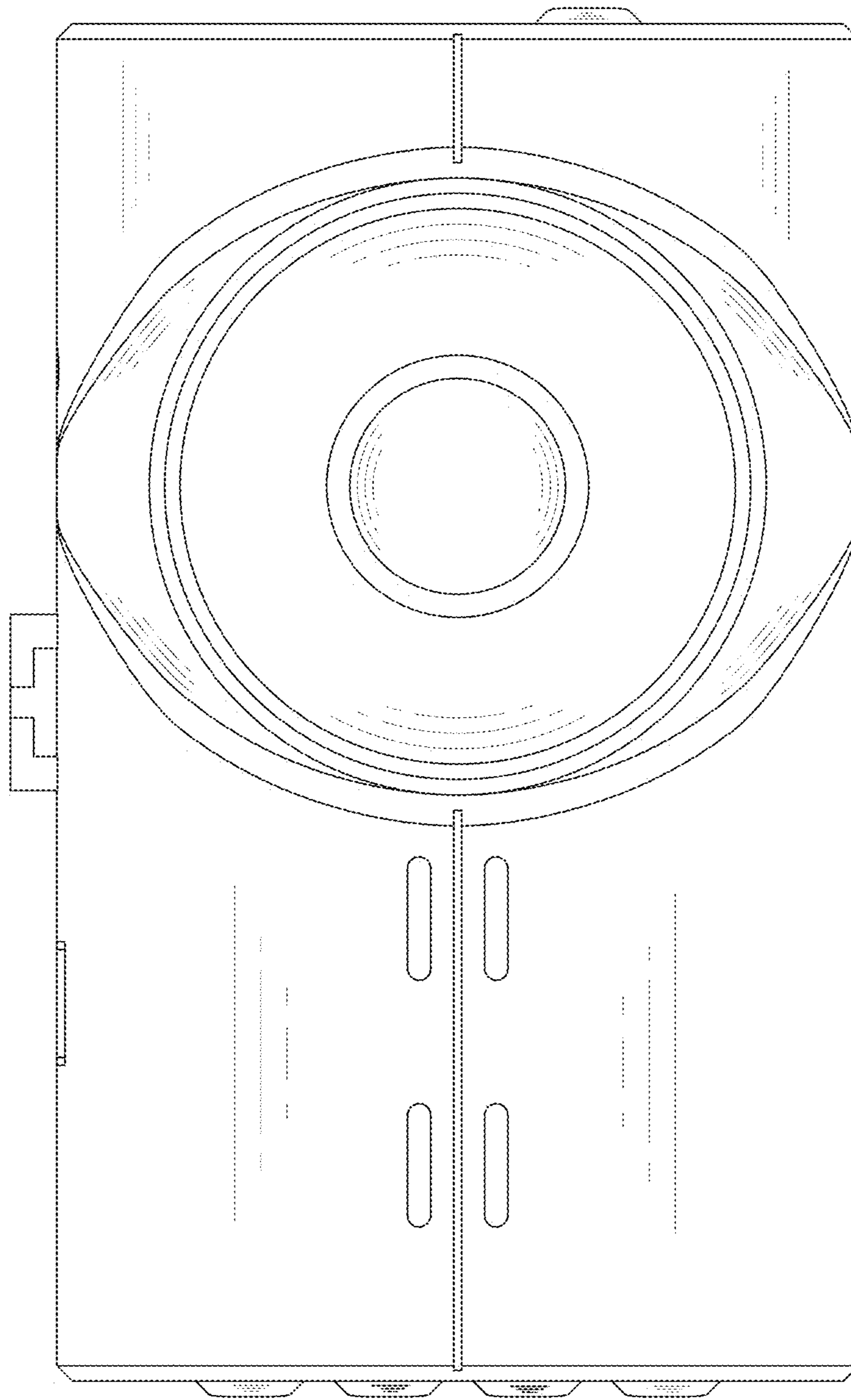


FIG. 4

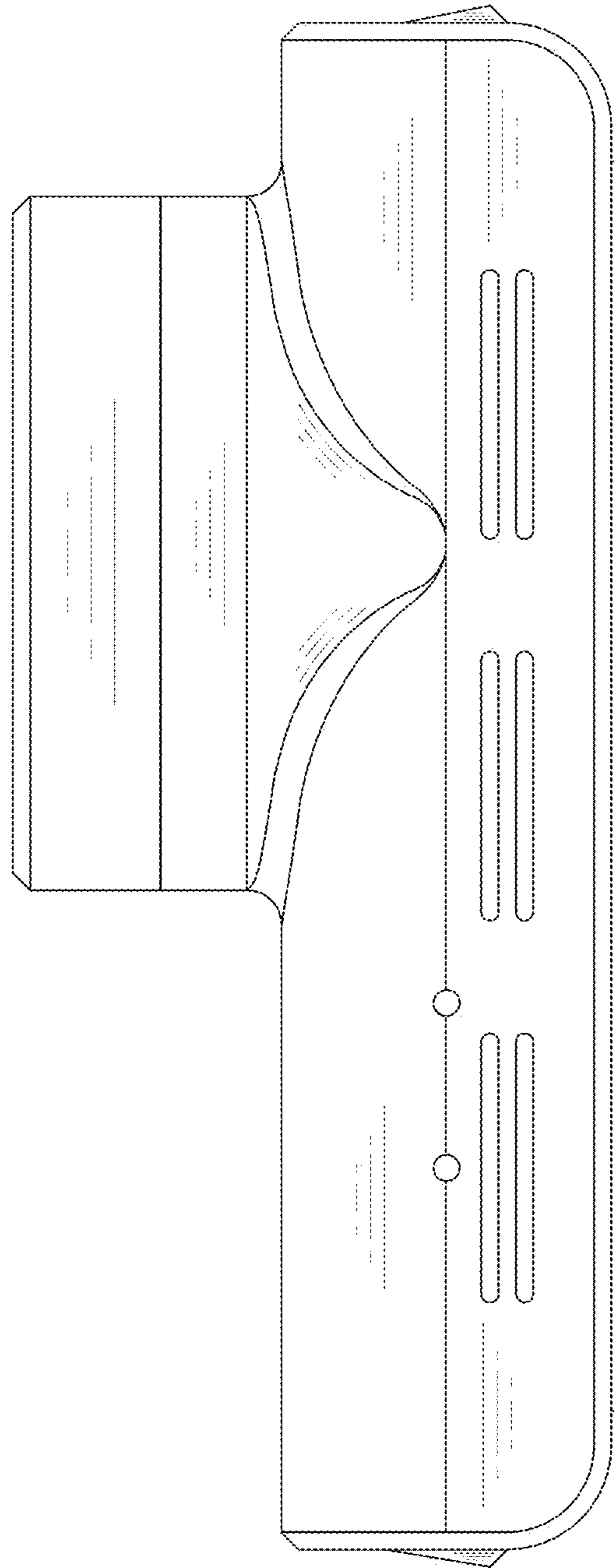


FIG. 5

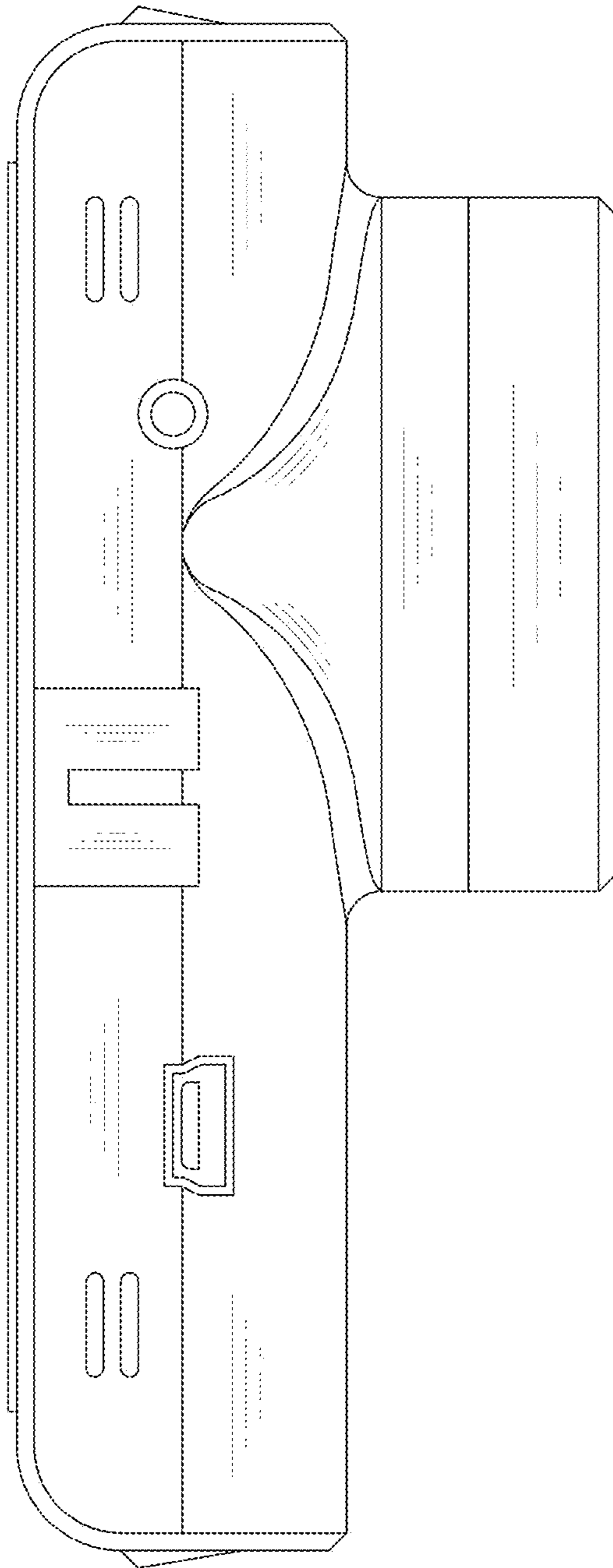


FIG. 6

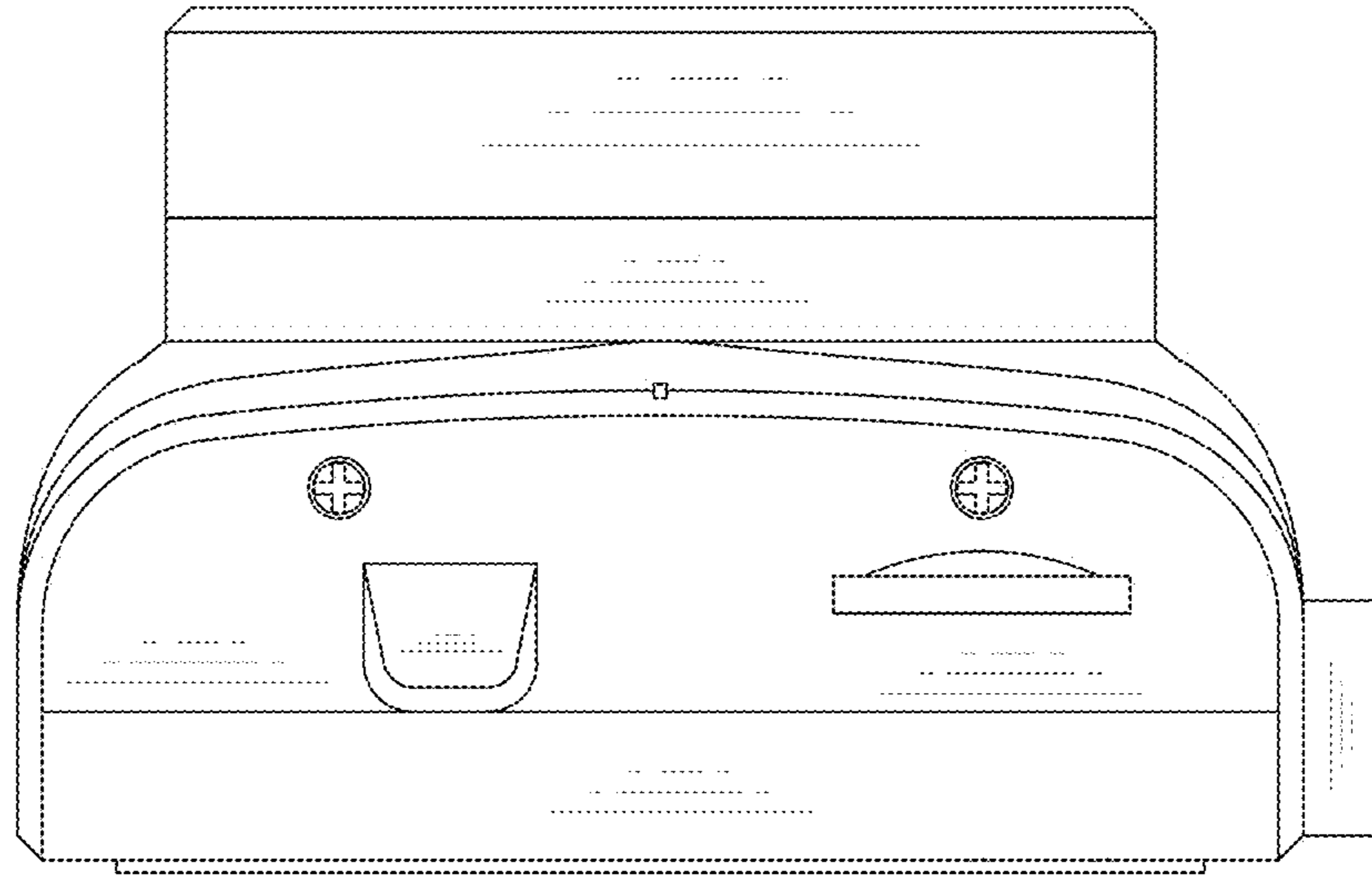


FIG. 7

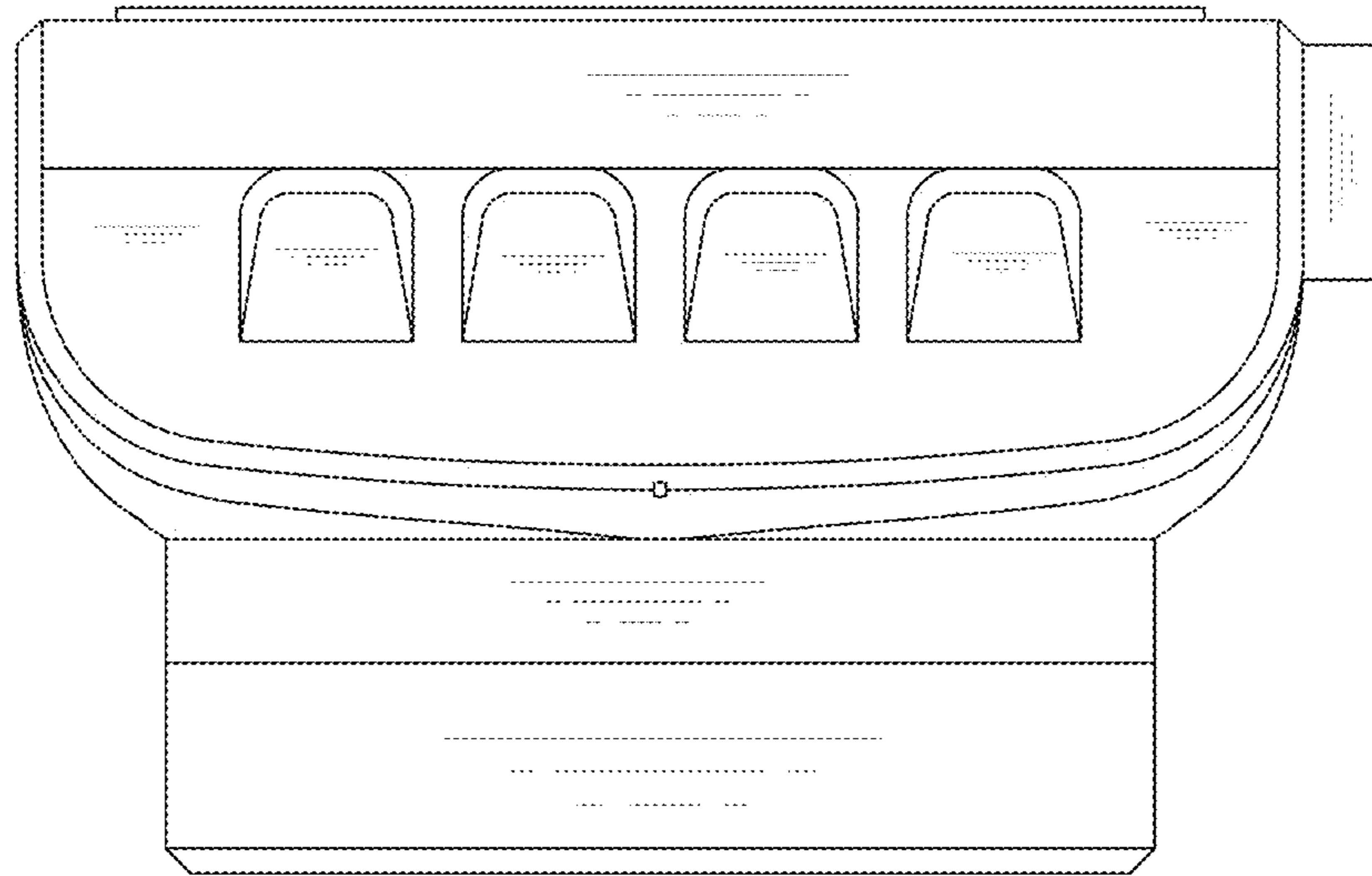


FIG. 8