



US00D966390S

(12) **United States Design Patent**
Zhang

(10) **Patent No.:** **US D966,390 S**

(45) **Date of Patent:** **** Oct. 11, 2022**

(54) **DASHBOARD CAMERA**

(71) Applicant: **Ruichang Zhang Xiaoyan Trading Co., Ltd., Jiangxi (CN)**

(72) Inventor: **Xiaoyan Zhang, Jiangxi (CN)**

(73) Assignee: **Ruichang Zhang Xiaoyan Trading Co., Ltd., Jiujiang (CN)**

(**) Term: **15 Years**

(21) Appl. No.: **29/838,223**

(22) Filed: **May 11, 2022**

(51) **LOC (13) Cl.** **16-01**

(52) **U.S. Cl.**
USPC **D16/202**

(58) **Field of Classification Search**
USPC D16/200–203, 208, 217–218; D10/46,
D10/61, 62, 70, 104.1, 106.6, 109.1,
D10/109.2; D14/125, 203.1, 204, 317,
D14/474, 496
CPC G03B 17/02; G03B 21/10; G03B 2217/00;
H04N 5/2251; H04N 5/2252; H04N
5/23216
See application file for complete search history.

(56) **References Cited**

U.S. PATENT DOCUMENTS

D510,375 S	*	10/2005	Ou	D16/202
D644,259 S	*	8/2011	Barley	D16/203
D747,386 S	*	1/2016	Li	D16/208
D753,749 S	*	4/2016	Zhu	D16/202
D755,874 S	*	5/2016	Yang	D16/202
D756,436 S	*	5/2016	Ku	D16/218
D766,351 S	*	9/2016	Li	D16/202
D772,966 S	*	11/2016	Song	D16/200
D816,144 S	*	4/2018	Vigren	D16/203
D819,111 S	*	5/2018	Singh	
D825,636 S	*	8/2018	Hueber	D16/202
D856,392 S	*	8/2019	Luo	D16/202
D857,076 S	*	8/2019	Gan	D16/202
D865,835 S	*	11/2019	Fidler	D16/202

D867,420 S	*	11/2019	Zhang	D16/202
D875,803 S	*	2/2020	Yuan	D16/202
D881,254 S	*	4/2020	Guo	D16/202
D884,054 S	*	5/2020	Mihara	D16/208
D887,475 S	*	6/2020	Hsu	D16/208
D887,476 S	*	6/2020	Hsu	D16/208

(Continued)

FOREIGN PATENT DOCUMENTS

EM	009021744-0001	*	5/2022
EM	009085202-0001	*	7/2022

OTHER PUBLICATIONS

“Dash Cam Front and Rear Chortau Dual Dash Cam 3 inch Dashboard Camera Full HD 170° Wide Angle Backup Camera with Night Vision WDR G-Sensor Parking Monitor Loop Recording Motion Detection” from Walmart.com, first retrieved Aug. 8, 2022 from the internet <<https://www.walmart.com/ip/Dash-Cam-Front-Rear-CHORTAU-Dual-3-inch-Dashboard-Camera-Full-HD-170-Wide-Angle-Backup-Night-Vision-WDR-G-Sensor-Parking-Monitor-Loop-Recording-Motio/444904015>>.*

(Continued)

Primary Examiner — Elizabeth J Oswecki
Assistant Examiner — Lacey Chey Bowman

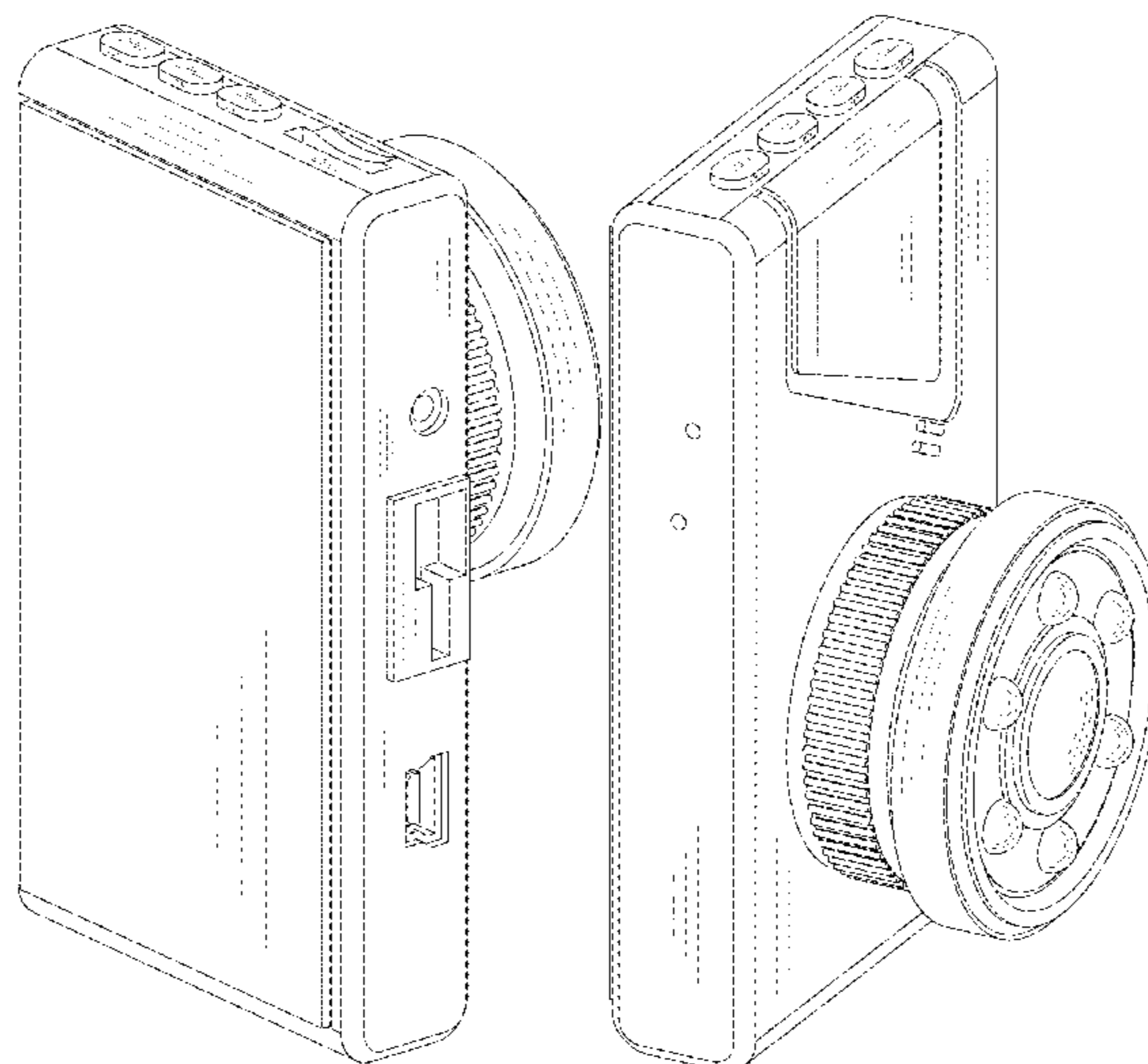
(57) **CLAIM**

The ornamental design for a dashboard camera, substantially as shown and described.

DESCRIPTION

FIG. 1 is a front perspective view of a dashboard camera, showing my new design;
FIG. 2 is a rear perspective view thereof;
FIG. 3 is a front elevation view thereof;
FIG. 4 is a rear elevation view thereof;
FIG. 5 is a left side elevation view thereof;
FIG. 6 is a right side elevation view thereof;
FIG. 7 is a top plan view thereof; and,
FIG. 8 is a bottom plan view thereof.

1 Claim, 8 Drawing Sheets



(56)

References Cited

U.S. PATENT DOCUMENTS

D888,127	S	*	6/2020	Lee	D16/202
D888,801	S	*	6/2020	Hsu	D16/208
D892,901	S	*	8/2020	Xu	D16/218
D893,578	S	*	8/2020	Denby	D16/218
D905,781	S	*	12/2020	Liu	D16/218
D907,093	S	*	1/2021	Hung	D16/202
D908,766	S	*	1/2021	He	D16/208
D908,772	S		1/2021	Grant		
D921,736	S	*	6/2021	Yin	D16/208
D923,075	S	*	6/2021	Grant	D16/208
D934,943	S	*	11/2021	Zhao	D16/218
D939,608	S	*	12/2021	Han	D16/202
D939,610	S	*	12/2021	Han	D16/202
2010/0194931	A1	*	8/2010	Kawaguchi	H04N 5/23222 348/240.99
2017/0195550	A1	*	7/2017	Kim	H04N 5/23216
2022/0141385	A1	*	5/2022	Ishihara	H01H 13/66 348/207.99

OTHER PUBLICATIONS

“Dash Cam 1080P Full HD Car Camera DVR Dashboard Video Recorder In Car Camera Dashcam for Cars 170 Wide Angle WDR 3.0inch UK” from Alibaba.com, first retrieved Aug. 8, 2022 from the internet <https://www.alibaba.com/product-detail/Dash-Cam-1080P-Full-HD-Car_62181175331.html> (Year: 2022).*

* cited by examiner

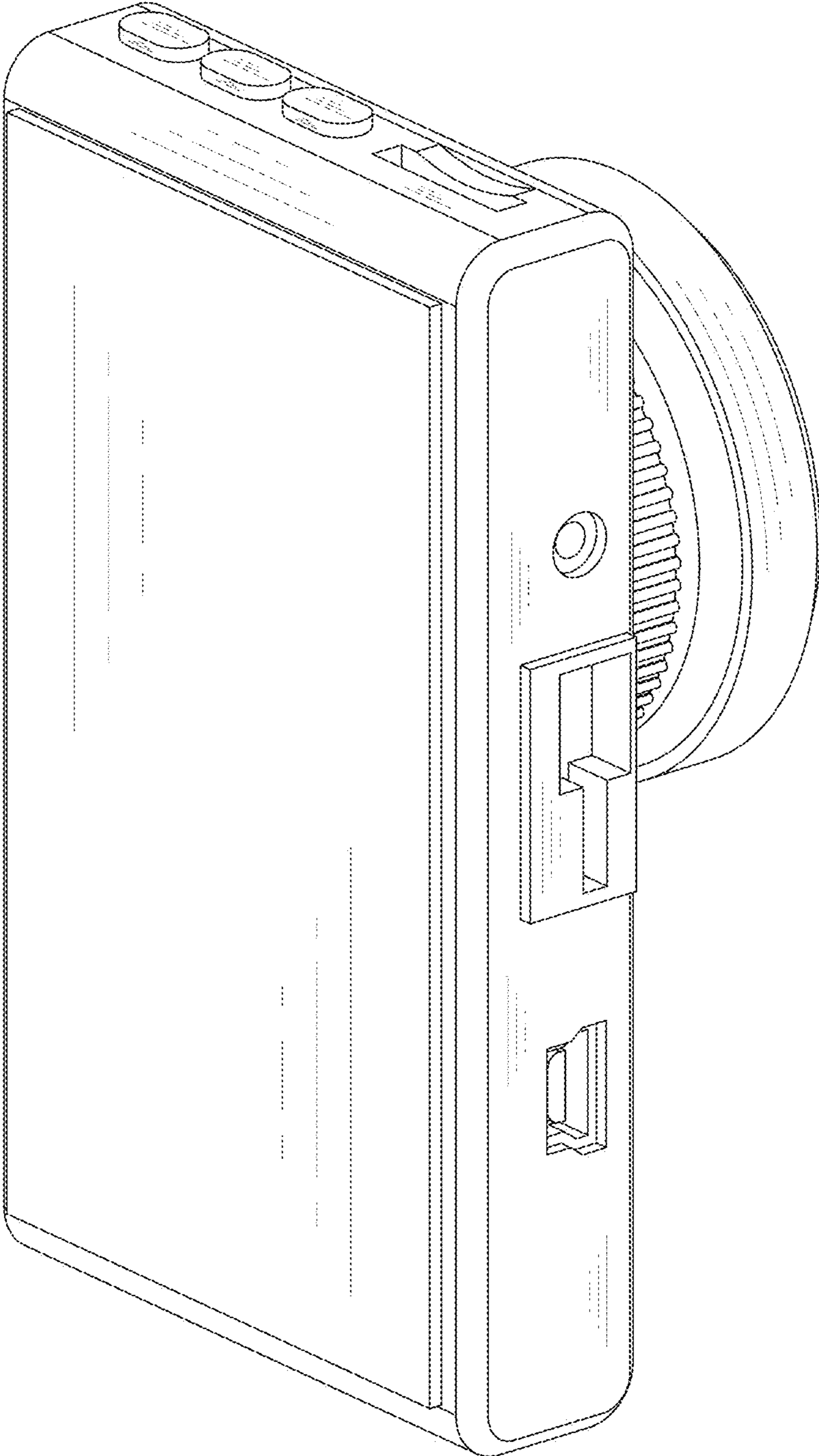


FIG. 1

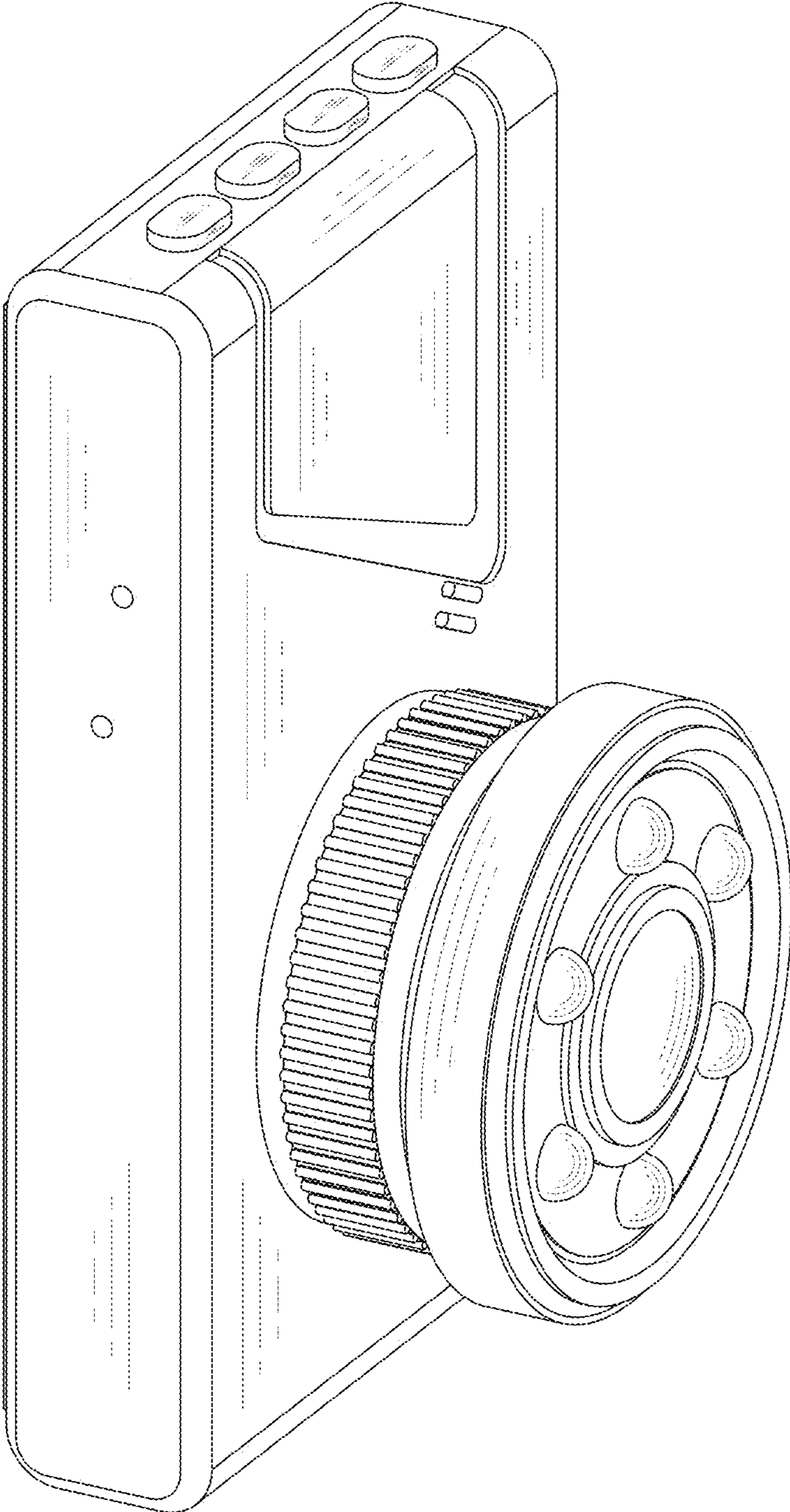


FIG. 2

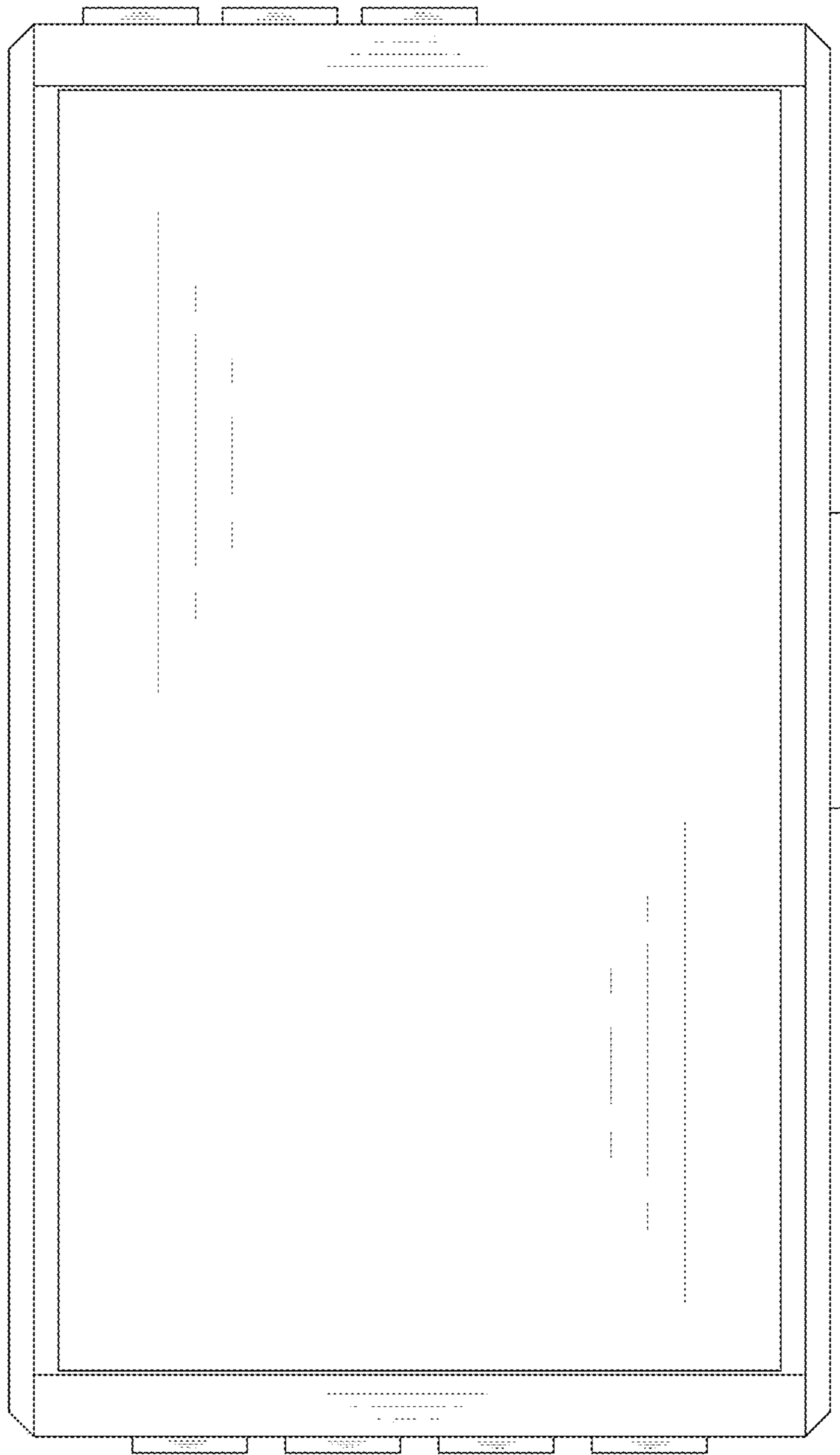


FIG. 3

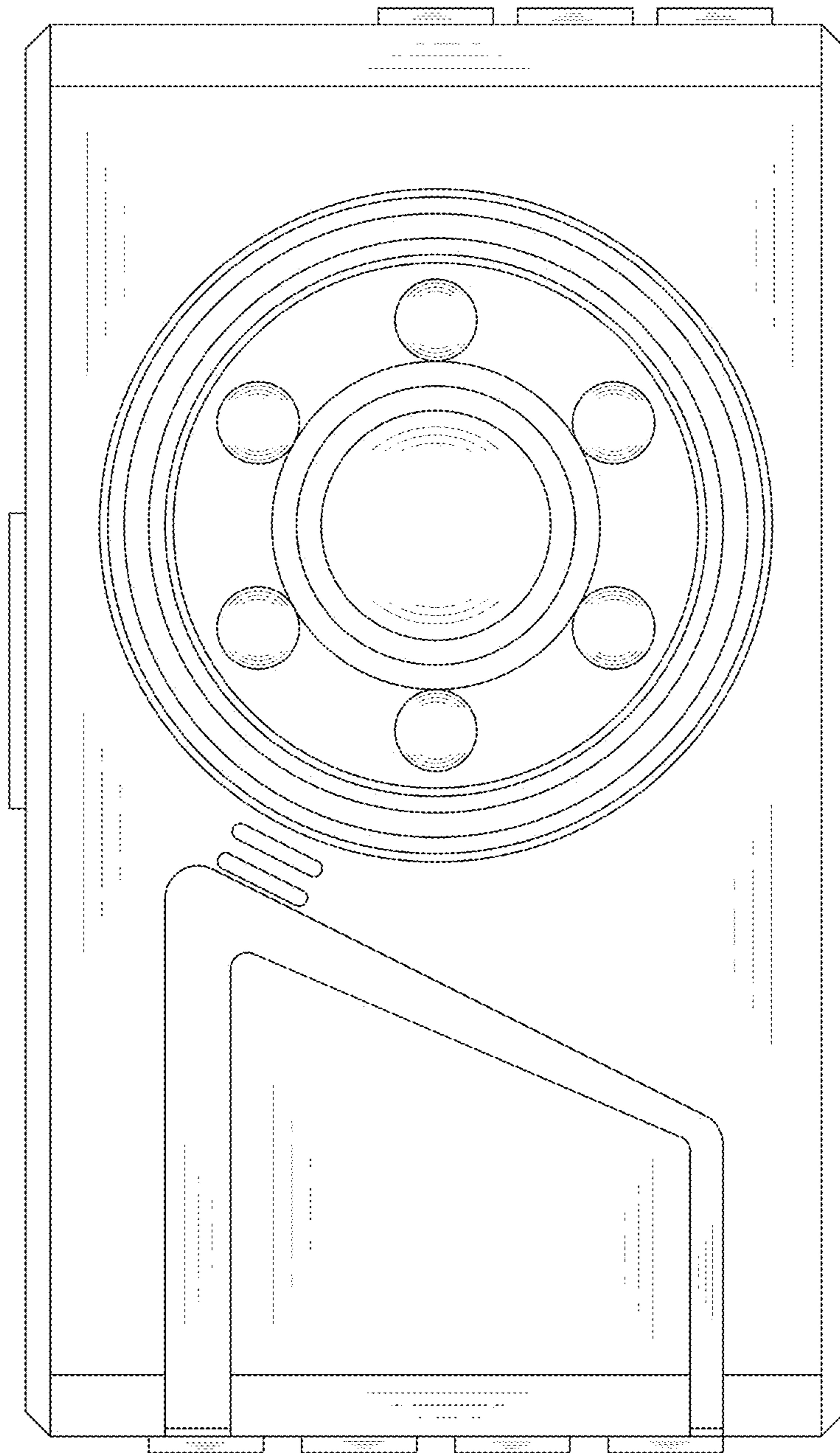


FIG. 4

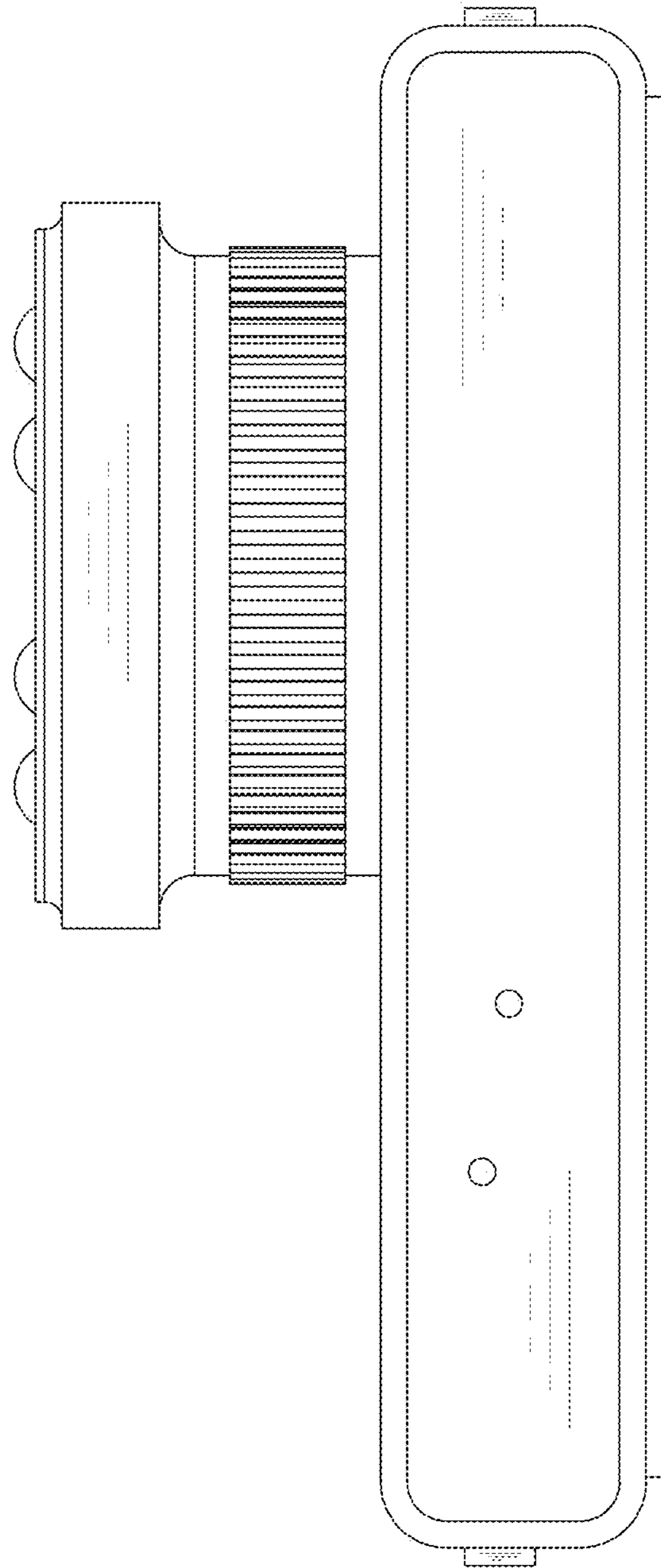


FIG. 5

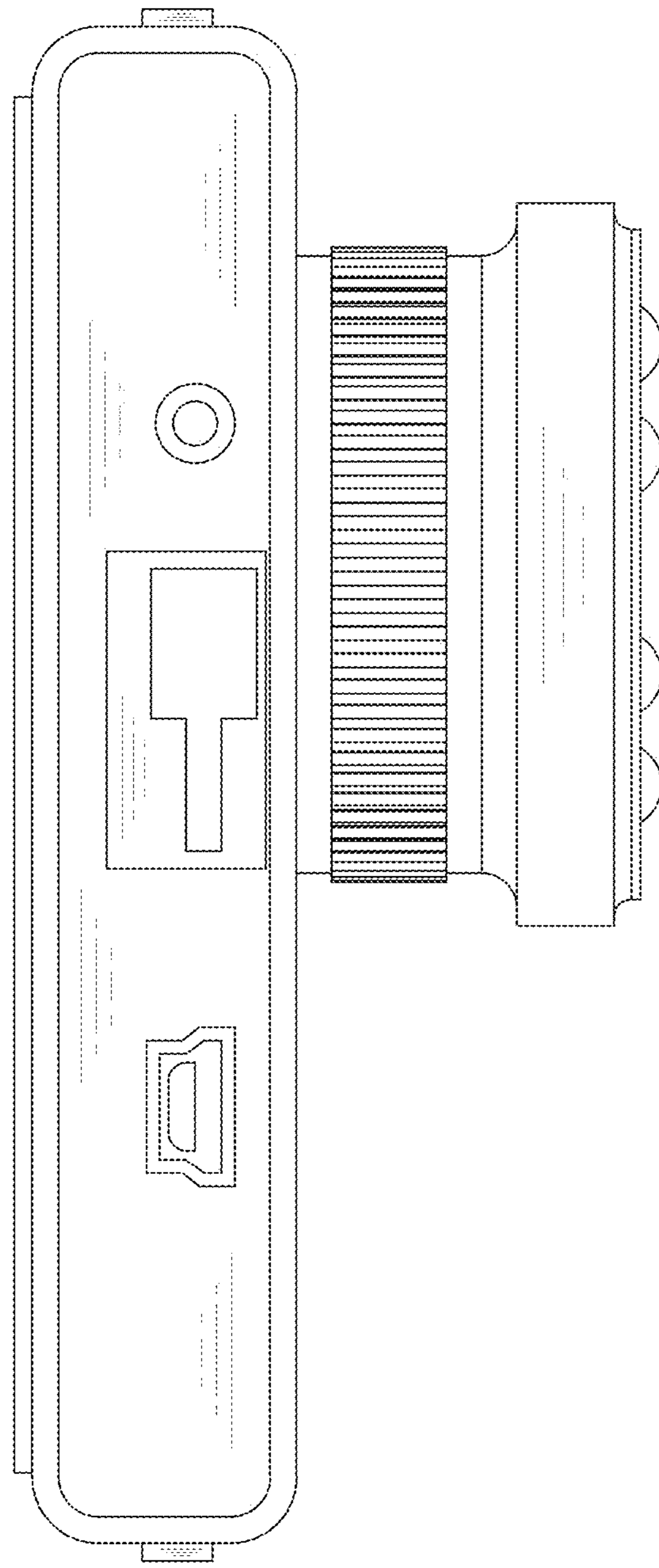


FIG. 6

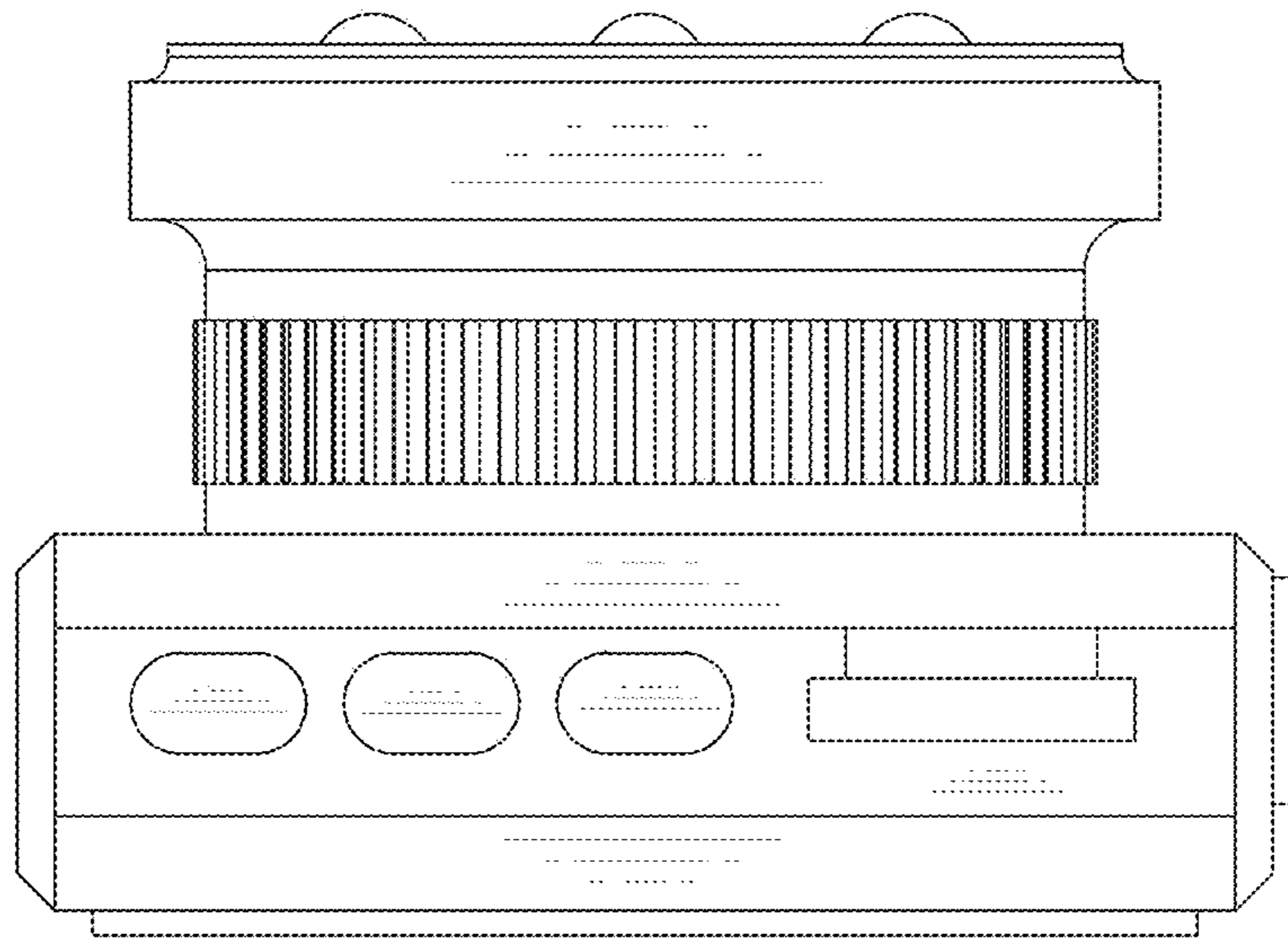


FIG. 7

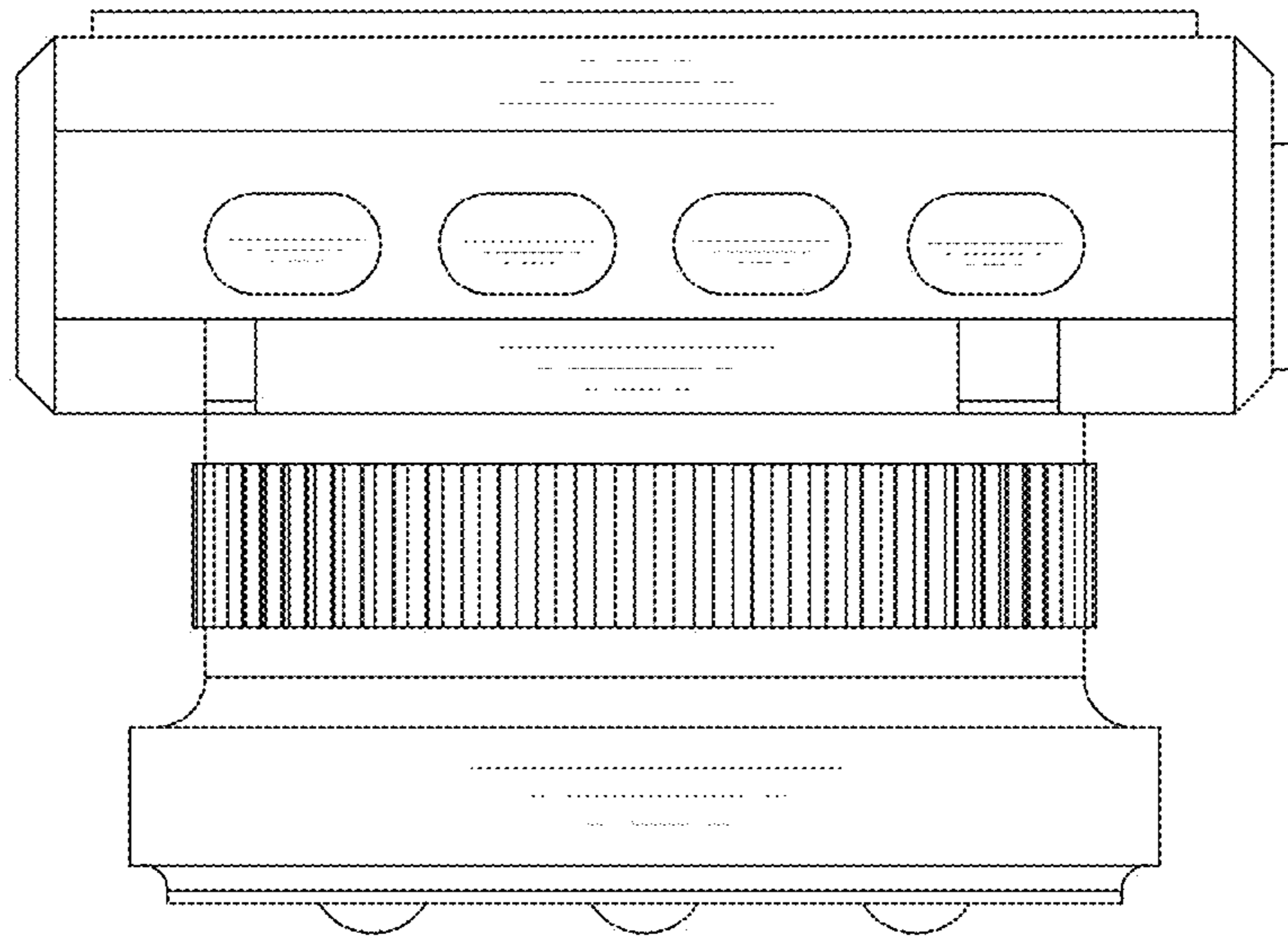


FIG. 8