



US00D966388S

(12) **United States Design Patent**  
**Chen**

(10) **Patent No.:** **US D966,388 S**

(45) **Date of Patent:** **\*\* Oct. 11, 2022**

(54) **DASH CAM**

(71) Applicant: **Shenzhen Shishitong Electronics Co., Ltd.**, Guangdong (CN)

(72) Inventor: **Ping Chen**, Jiangxi (CN)

(73) Assignee: **Shenzhen Shishitong Electronics Co., Ltd.**, Shenzhen (CN)

(\*\*) Term: **15 Years**

(21) Appl. No.: **29/805,666**

(22) Filed: **Aug. 27, 2021**

(51) **LOC (13) Cl.** ..... **16-01**

(52) **U.S. Cl.**  
USPC ..... **D16/202**

(58) **Field of Classification Search**  
USPC ..... D16/200–203, 208, 217–218; D10/46,  
D10/61, 62, 70, 104.1, 106.6, 109.1,  
D10/109.2; D14/125, 203.1, 204, 317,  
D14/474, 496  
CPC .... G03B 17/02; G03B 21/10; G03B 2217/00;  
H04N 5/2251; H04N 5/2252; H04N  
5/23216

See application file for complete search history.

(56) **References Cited**

**U.S. PATENT DOCUMENTS**

D712,950 S	*	9/2014	Kwon	.....	D16/202
D740,869 S	*	10/2015	Kim	.....	D16/202
D747,386 S	*	1/2016	Li	.....	D16/208
D753,749 S	*	4/2016	Zhu	.....	D16/202
D754,231 S	*	4/2016	Murray	.....	D16/202
D755,874 S	*	5/2016	Yang	.....	D16/202
D756,436 S	*	5/2016	Ku	.....	D16/218
D766,351 S	*	9/2016	Li	.....	D16/202
D772,966 S	*	11/2016	Song	.....	D16/200
D816,144 S	*	4/2018	Vigren	.....	D16/203
D819,111 S		5/2018	Singh		
D825,636 S	*	8/2018	Hueber	.....	D16/202
D856,392 S	*	8/2019	Luo	.....	D16/202

D857,076 S	*	8/2019	Gan	.....	D16/202
D867,420 S	*	11/2019	Zhang	.....	D16/202
D875,803 S	*	2/2020	Yuan	.....	D16/202
D881,254 S	*	4/2020	Guo	.....	D16/202
D884,054 S	*	5/2020	Mihara	.....	D16/208

(Continued)

**FOREIGN PATENT DOCUMENTS**

EM	006488078-0001	*	6/2019
EM	008662670-0001	*	9/2021
EM	008822183-0001	*	1/2022

**OTHER PUBLICATIONS**

“Dash Cam Front and Rear, Milerong 1080P FHD Dash Camera for Cars , 3" IPS Display Full HD170° Wide Angle Car Camera with Night Vision, G-Sensor, Loop Recording, Parking Monitor, Motion Detection,WDR” from Amazon.com, first available Jun. 27, 2020 from the internet <<https://www.amazon.com/dp/B08BXDR4BF/>> (Year: 2020).\*

(Continued)

*Primary Examiner* — Elizabeth J Oswecki  
*Assistant Examiner* — Lacey Chey Bowman

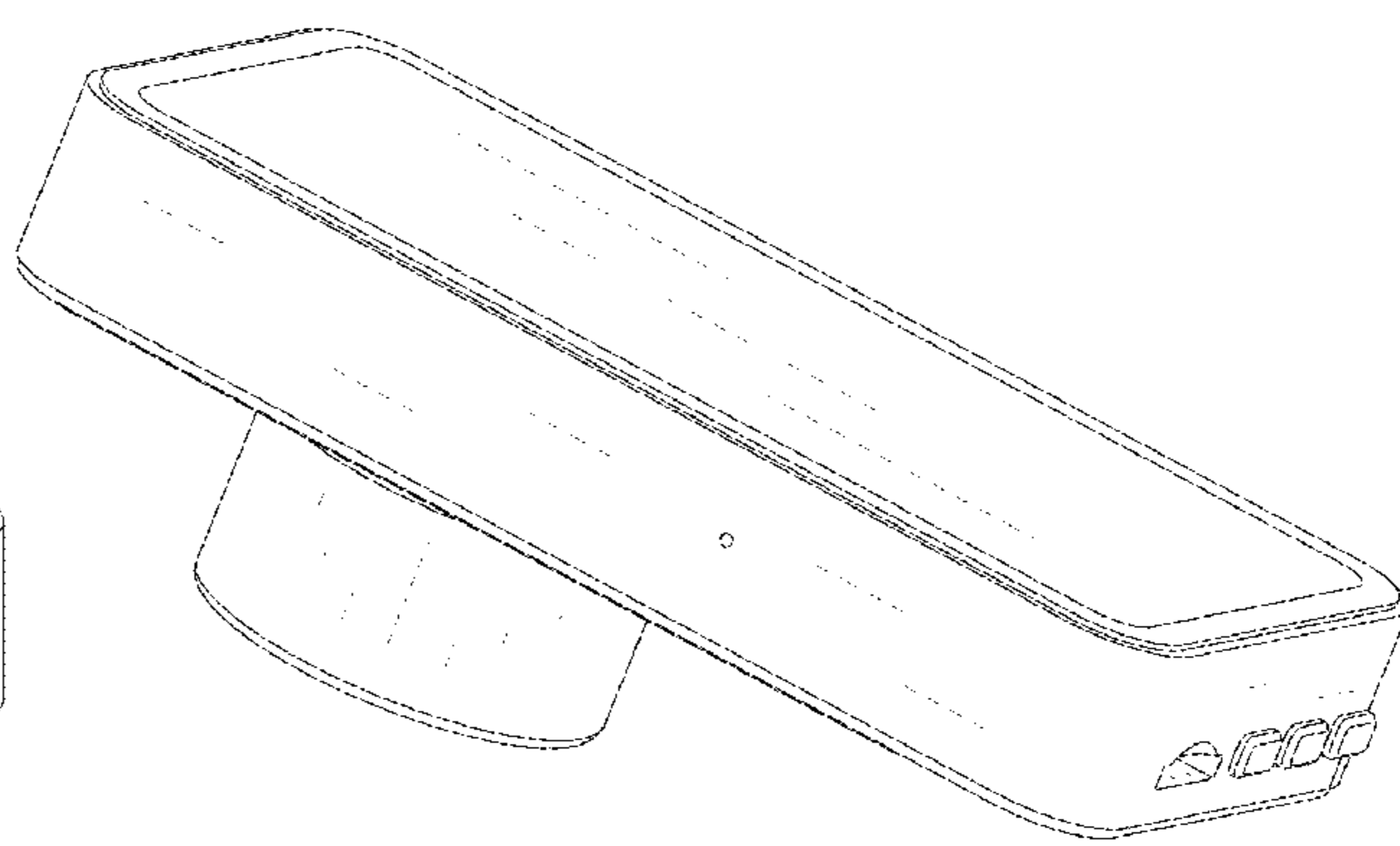
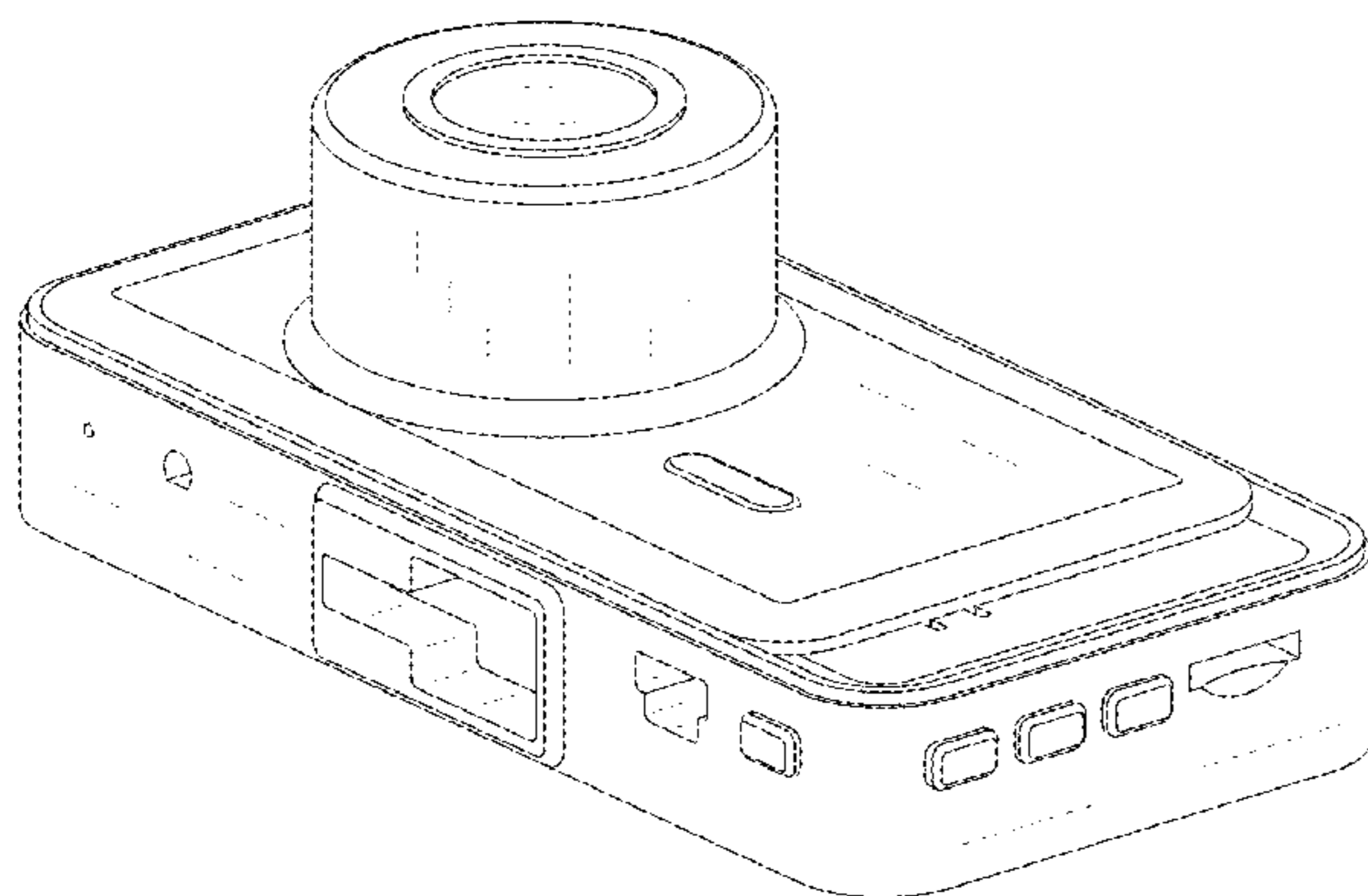
(57) **CLAIM**

The ornamental design for a dash cam, as shown and described.

**DESCRIPTION**

FIG. 1 is a top perspective view of a dash cam showing my new design;  
FIG. 2 is a bottom perspective view thereof;  
FIG. 3 is a front view thereof;  
FIG. 4 is a back view thereof;  
FIG. 5 is a left side view thereof;  
FIG. 6 is a right side view thereof;  
FIG. 7 is a top view thereof; and,  
FIG. 8 is a bottom view thereof.

**1 Claim, 8 Drawing Sheets**



(56)

**References Cited**

U.S. PATENT DOCUMENTS

D887,475	S *	6/2020	Hsu .....	D16/208
D887,476	S *	6/2020	Hsu .....	D16/208
D888,127	S *	6/2020	Lee .....	D16/202
D888,801	S *	6/2020	Hsu .....	D16/208
D892,901	S *	8/2020	Xu .....	D16/218
D893,578	S *	8/2020	Denby .....	D16/218
D898,095	S *	10/2020	Jang .....	D16/202
D907,093	S *	1/2021	Hung .....	D16/202
D908,766	S *	1/2021	He .....	D16/208
D908,772	S *	1/2021	Grant	
D914,782	S *	3/2021	Huang .....	D16/202
D921,736	S *	6/2021	Yin .....	D16/208
D923,075	S *	6/2021	Grant .....	D16/208
D934,943	S *	11/2021	Zhao .....	D16/218
D939,608	S *	12/2021	Han .....	D16/202
D939,610	S *	12/2021	Han .....	D16/202
2010/0194931	A1 *	8/2010	Kawaguchi .....	H04N 5/23222 348/240.99
2017/0195550	A1 *	7/2017	Kim .....	H04N 5/23216
2022/0141385	A1 *	5/2022	Ishihara .....	H01H 13/66 348/207.99

OTHER PUBLICATIONS

“Dash Camera with SD Card Included, Dashcams for Cars Front Full HD 1080P Dash Cams 170°Wide Angle Dashboard Cameras for Trucks with Night Vision 3"IPS Screen Loop Recording G-Sensor Parking Monitor” from Amazon.com, first available Aug. 1, 2019 from the internet <<https://www.amazon.com/dp/B07VXNH138?tag=conch-house-20&linkCode=osi&th=1&psc=1>> (Year: 2019).\*

\* cited by examiner

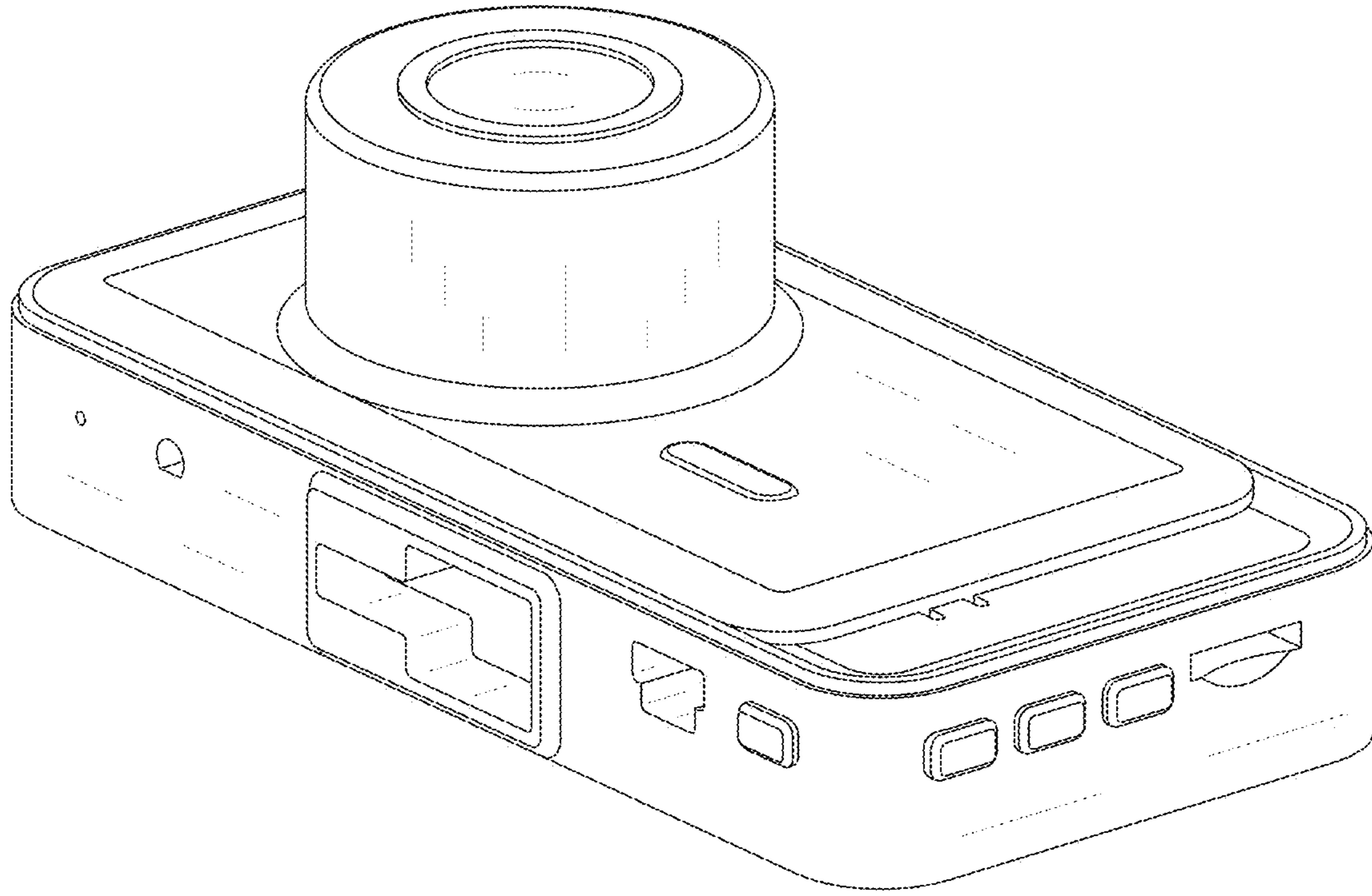


FIG. 1

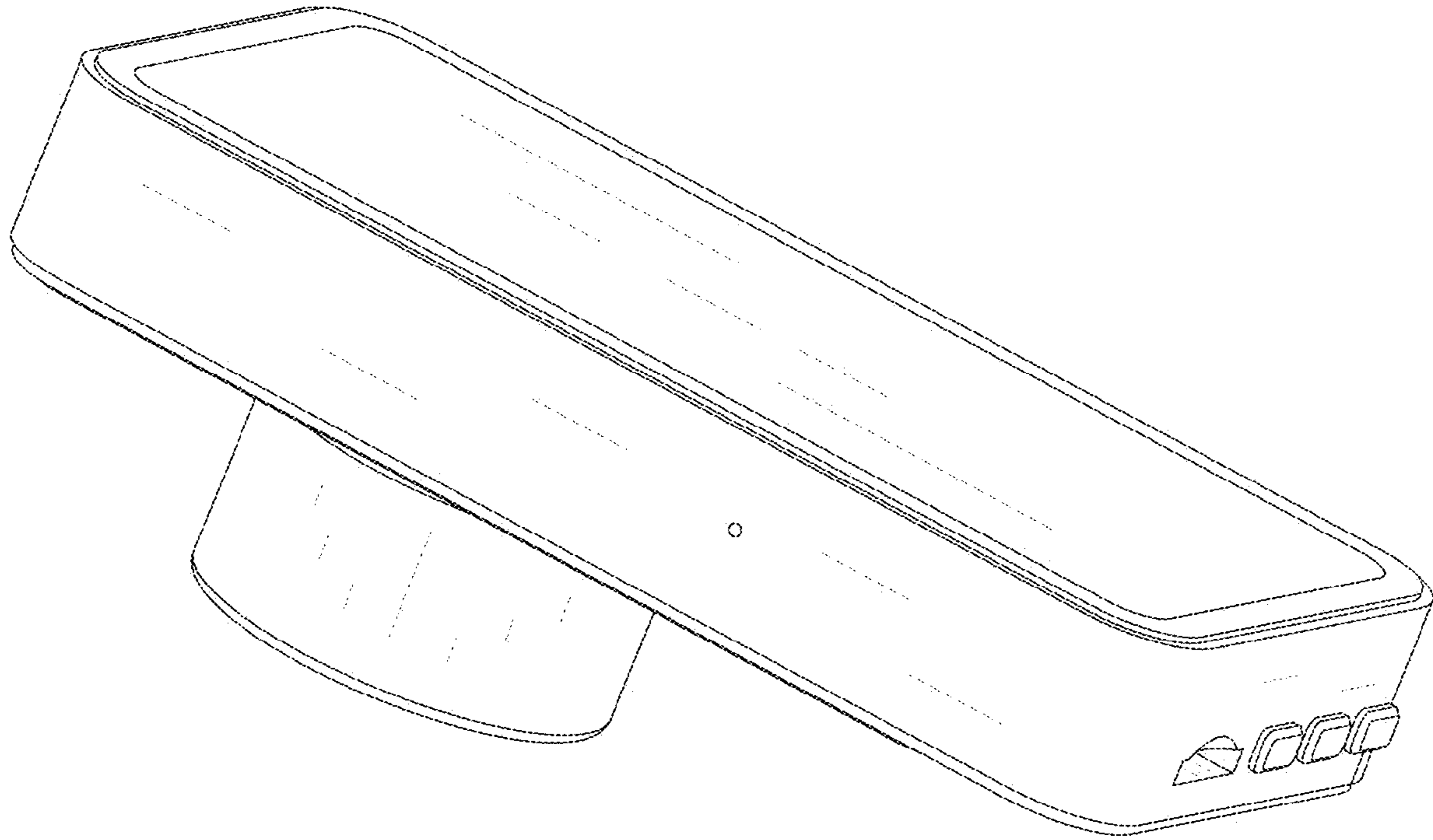


FIG. 2

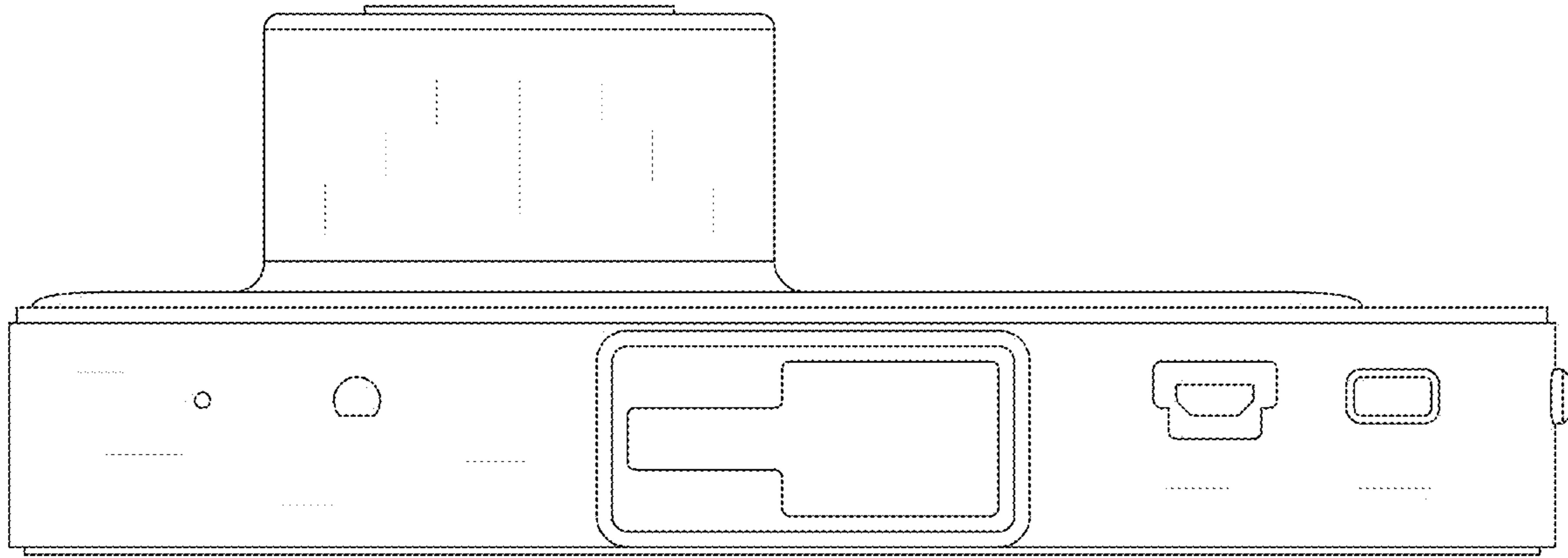


FIG. 3

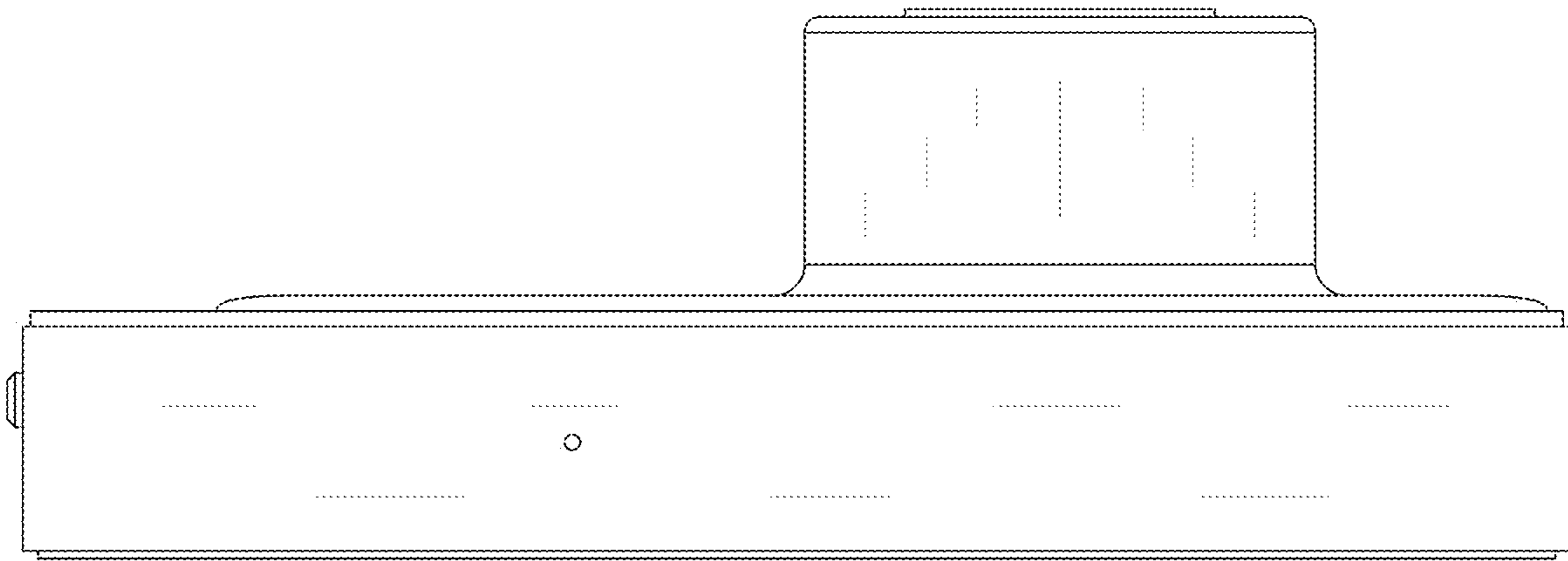


FIG. 4

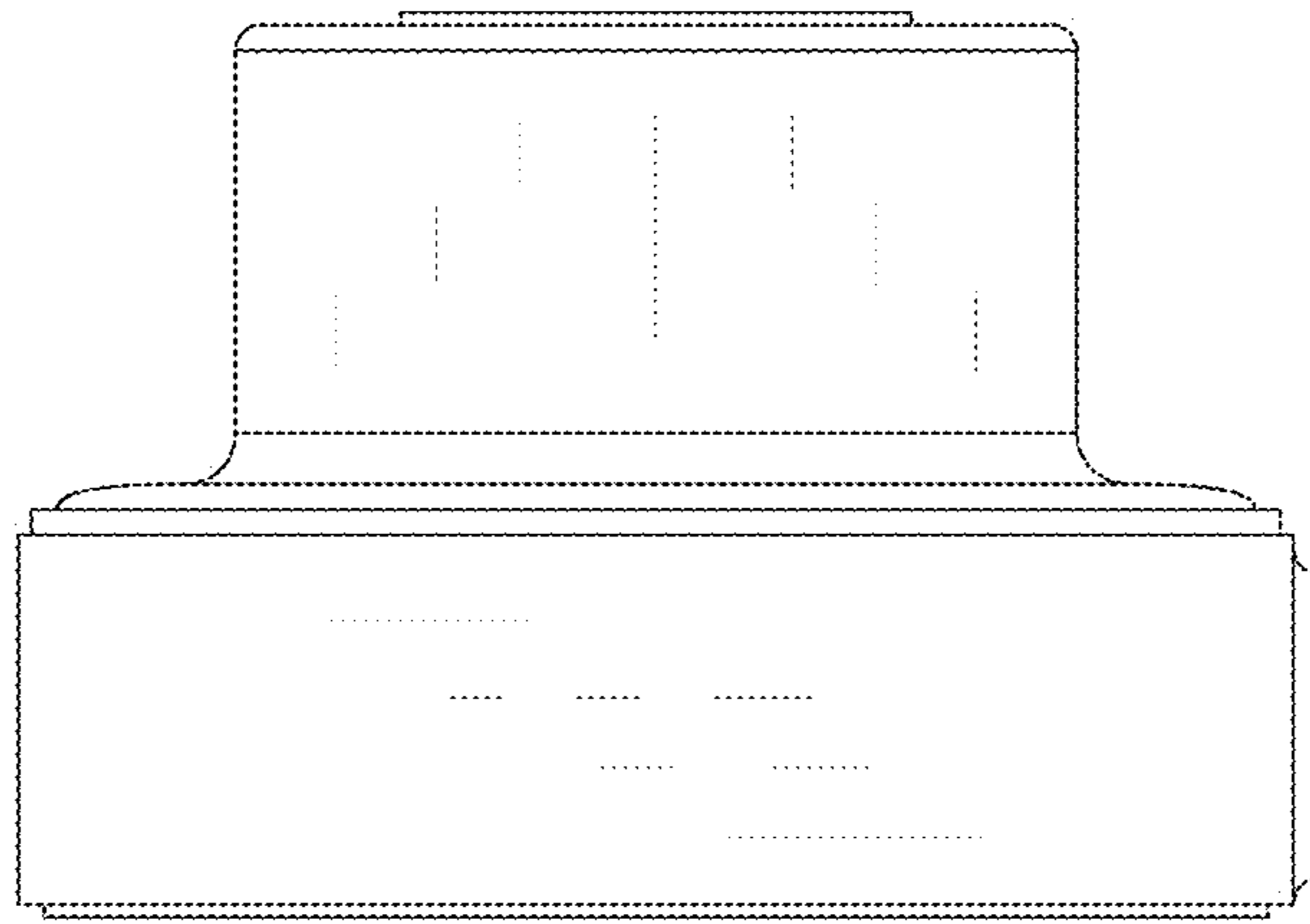


FIG. 5

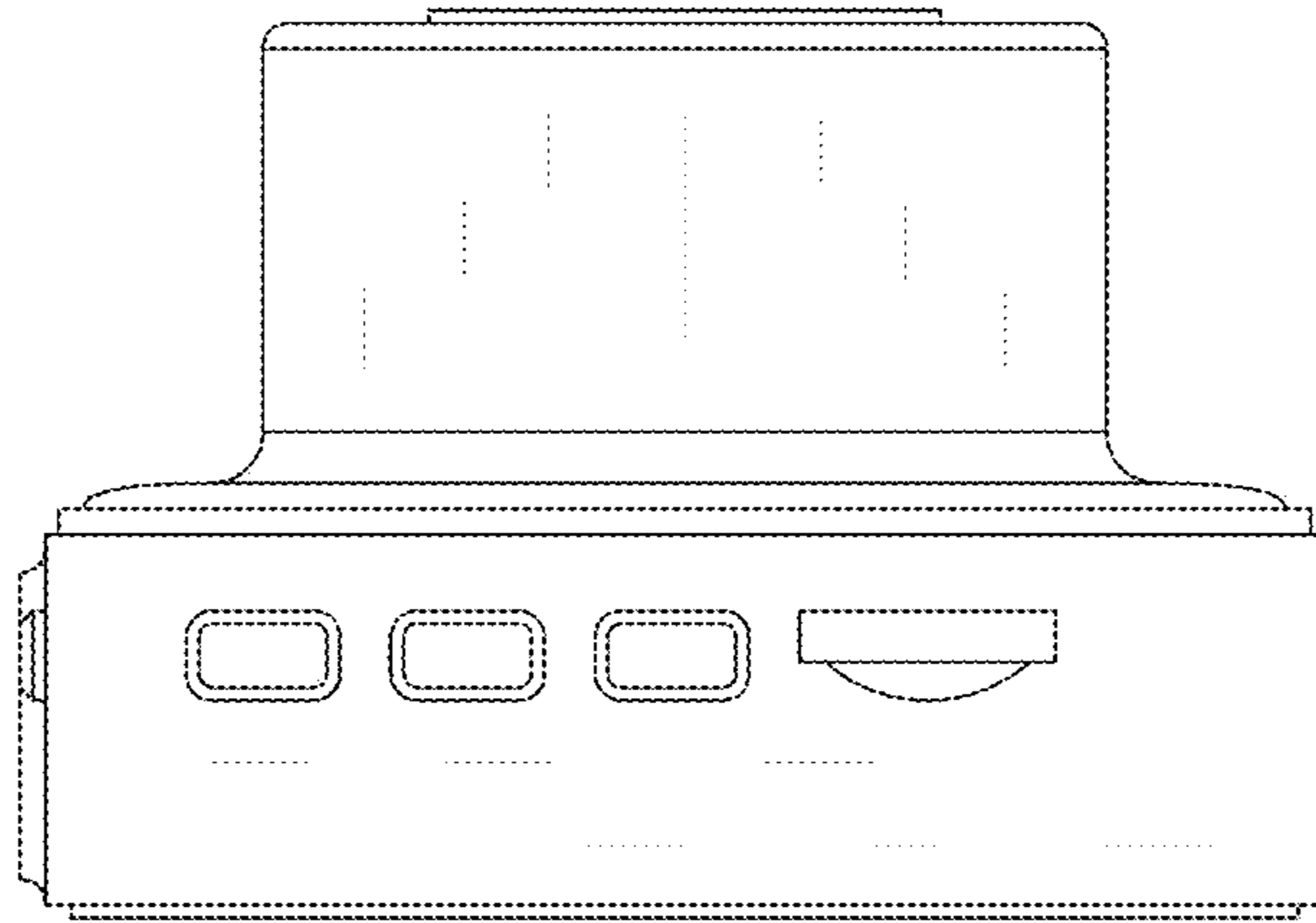


FIG. 6



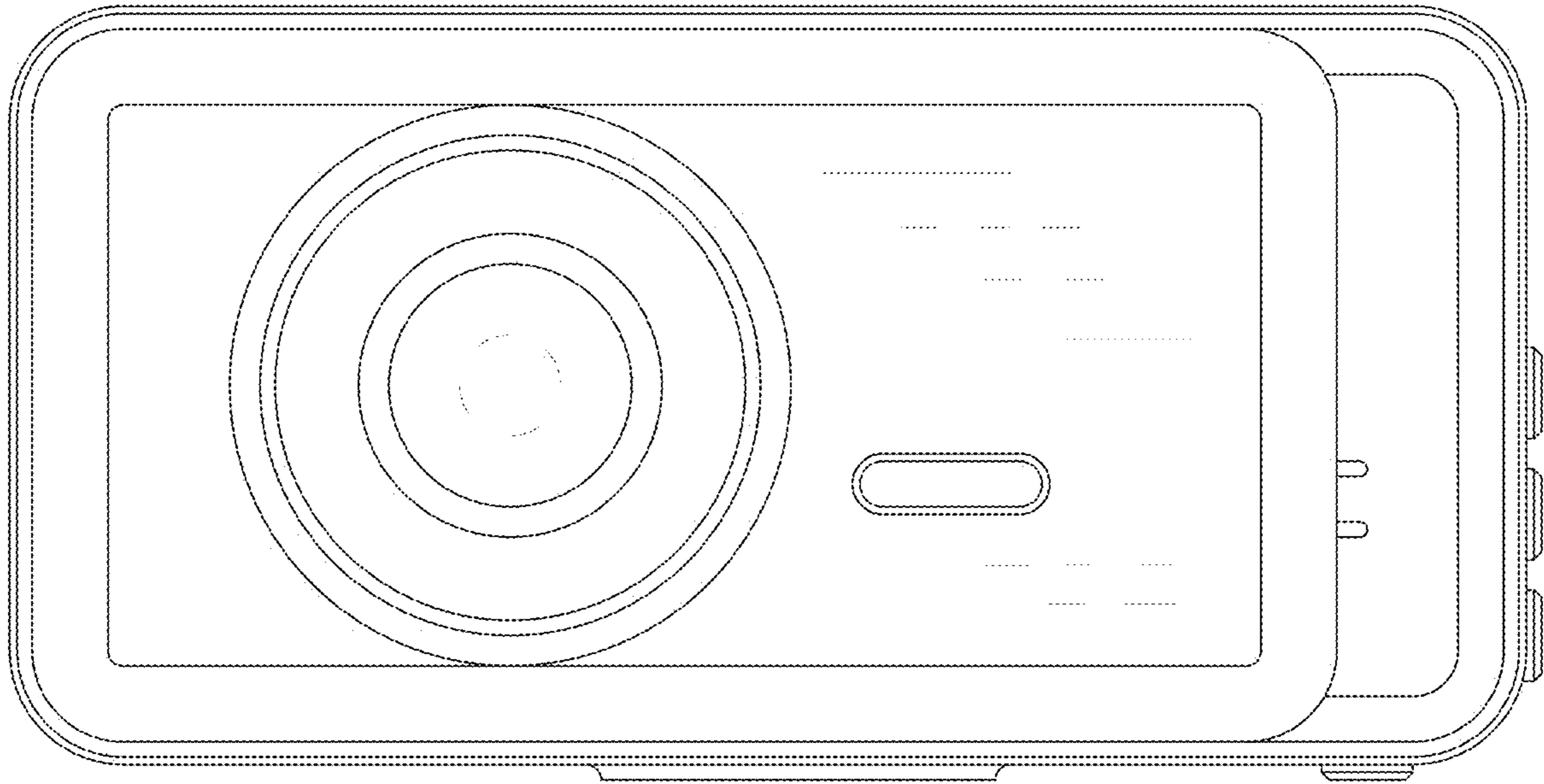


FIG. 7

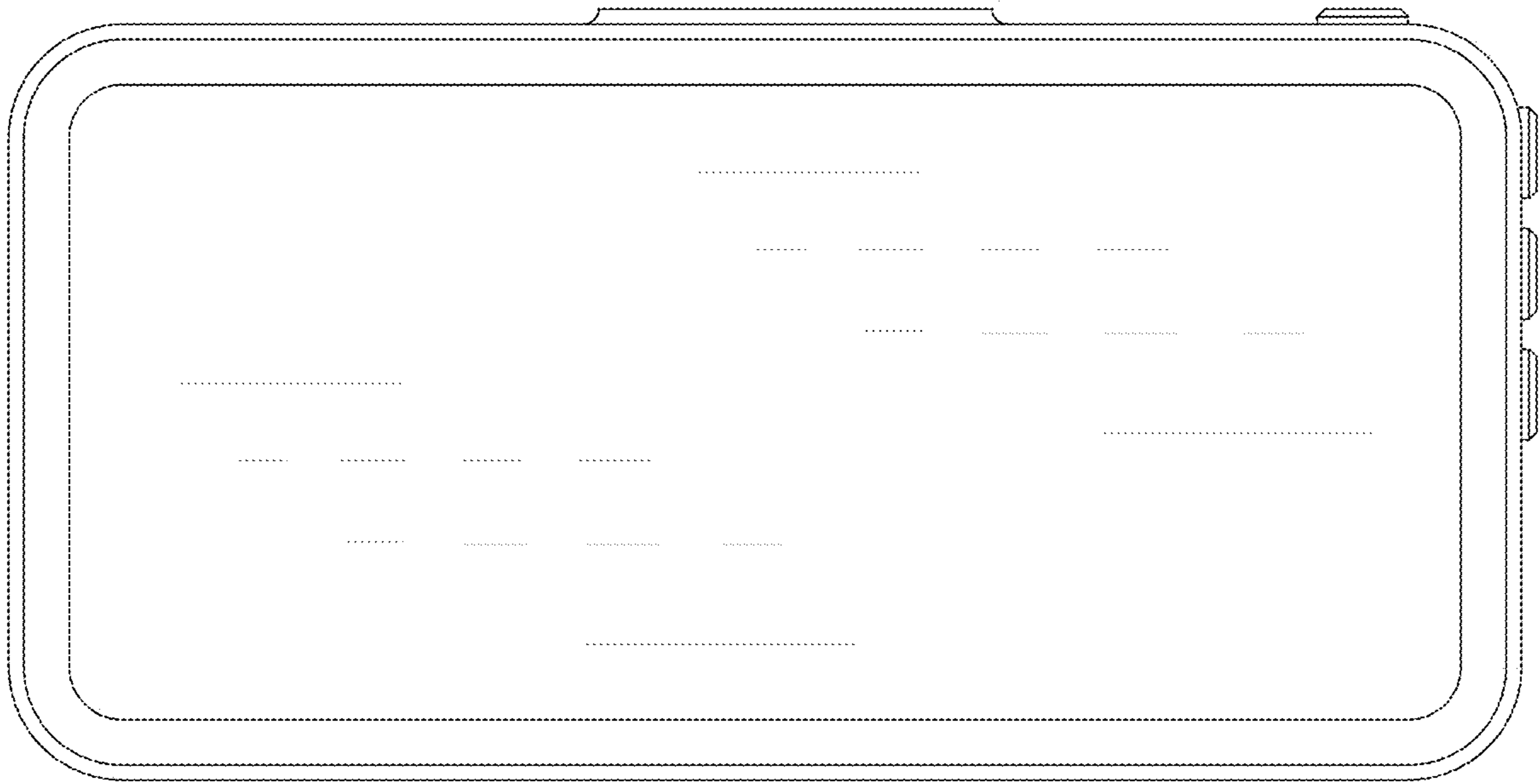


FIG. 8