

US00D966386S

(12) **United States Design Patent**
Hong

(10) **Patent No.:** **US D966,386 S**
(45) **Date of Patent:** **** Oct. 11, 2022**

(54) **COMBINED PHONE SCREEN MAGNIFIER AND SPEAKER**

(71) Applicant: **SHENZHEN JUSHI TECHNOLOGY CO., LTD.**, Shenzhen (CN)

(72) Inventor: **Yiyi Hong**, Quanzhou (CN)

(73) Assignee: **SHENZHEN JUSHI TECHNOLOGY CO., LTD.**, Shenzhen (CN)

(**) Term: **15 Years**

(21) Appl. No.: **29/780,748**

(22) Filed: **Apr. 26, 2021**

(51) **LOC (13) Cl.** **16-06**

(52) **U.S. Cl.**
USPC **D16/135; D14/172**

(58) **Field of Classification Search**
USPC D16/130–136, 237, 239, 241, 242, 250, D16/221, 222, 225, 229, 235, 236, 200, D16/203, 204, 208, 214, 218, 219, 220; D22/108, 109; D12/415; D3/218; D14/140, 140.8, 142, 168, 172, 251–253, D14/447, 440
CPC H04M 1/04; H04M 1/06; H04M 1/11; H04M 1/12; H04M 1/13; G02B 23/16; G02B 7/02; G02B 7/021; G02B 7/04; G02B 7/14; G02B 7/003; C03B 2215/46; H04R 2205/021
See application file for complete search history.

(56) **References Cited**

U.S. PATENT DOCUMENTS

D470,161 S * 2/2003 Lee D21/333
6,637,139 B1 * 10/2003 Chan A45D 42/18
40/733

7,828,260 B2 * 11/2010 Hauser A47B 23/043
248/920

D689,476 S 9/2013 Alexander
9,628,913 B2 4/2017 Miller et al.

(Continued)

OTHER PUBLICATIONS

Cinyuze Phone Screen Amplifier with Foldable Phone Stand, <https://www.amazon.com/dp/B08NHBS837>, Nov. 12, 2020 (Year: 2020).*

Primary Examiner — Richard Kearney
Assistant Examiner — Benjamin M Weeks

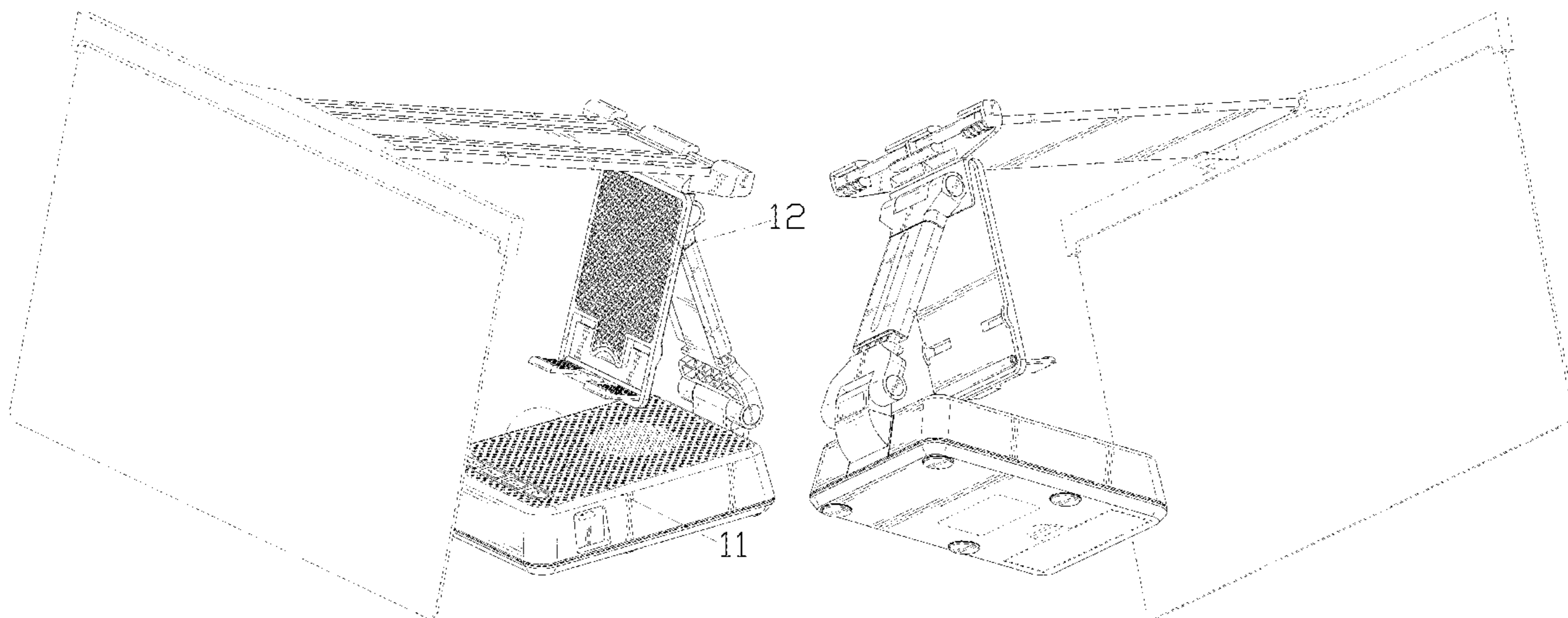
(57) **CLAIM**

The ornamental design for a combined phone screen magnifier and speaker, as shown and described.

DESCRIPTION

FIG. 1 is a perspective view of a combined phone screen magnifier and speaker showing my new design; FIG. 2 is another perspective view thereof; FIG. 3 is a front elevational view thereof; FIG. 4 is a rear elevational view thereof; FIG. 5 is a left side elevational view thereof; FIG. 6 is a right side elevational view thereof; FIG. 7 is a top plan view thereof; FIG. 8 is a bottom plan view thereof; FIG. 9 is a perspective view of the combined phone screen magnifier and speaker where the combined phone screen magnifier and speaker is in a configuration of use; FIG. 10 is an exploded perspective view of the combined phone screen magnifier and speaker; FIG. 11 is an enlarged view of portion 11 shown in FIG. 1; and, FIG. 12 is an enlarged view of portion 12 shown in FIG. 1. The broken lines in the drawings depict portions of the combined phone screen magnifier and speaker that form no part of the claimed design. The broken lines showing a mobile phone in FIG. 9 are for the purpose of illustrating environment and form no part of the claimed design.

1 Claim, 12 Drawing Sheets



(56)

References Cited

U.S. PATENT DOCUMENTS

9,813,533 B1 * 11/2017 Ye H04M 1/11
D839,869 S * 2/2019 Wang D14/447
D848,516 S * 5/2019 Park D16/225
D874,452 S * 2/2020 Chen D14/252
D884,045 S * 5/2020 Lin D16/135
D910,103 S * 2/2021 Park D16/135
D945,510 S * 3/2022 Lin D16/135
D946,640 S * 3/2022 Lin D16/135
D947,269 S * 3/2022 Lin D16/135
D952,724 S * 5/2022 Ying D16/135
D952,725 S * 5/2022 Wang D16/135
2015/0338635 A1 * 11/2015 Gantz G09G 3/20
345/32
2017/0223862 A1 * 8/2017 Justiss F16M 13/022

* cited by examiner

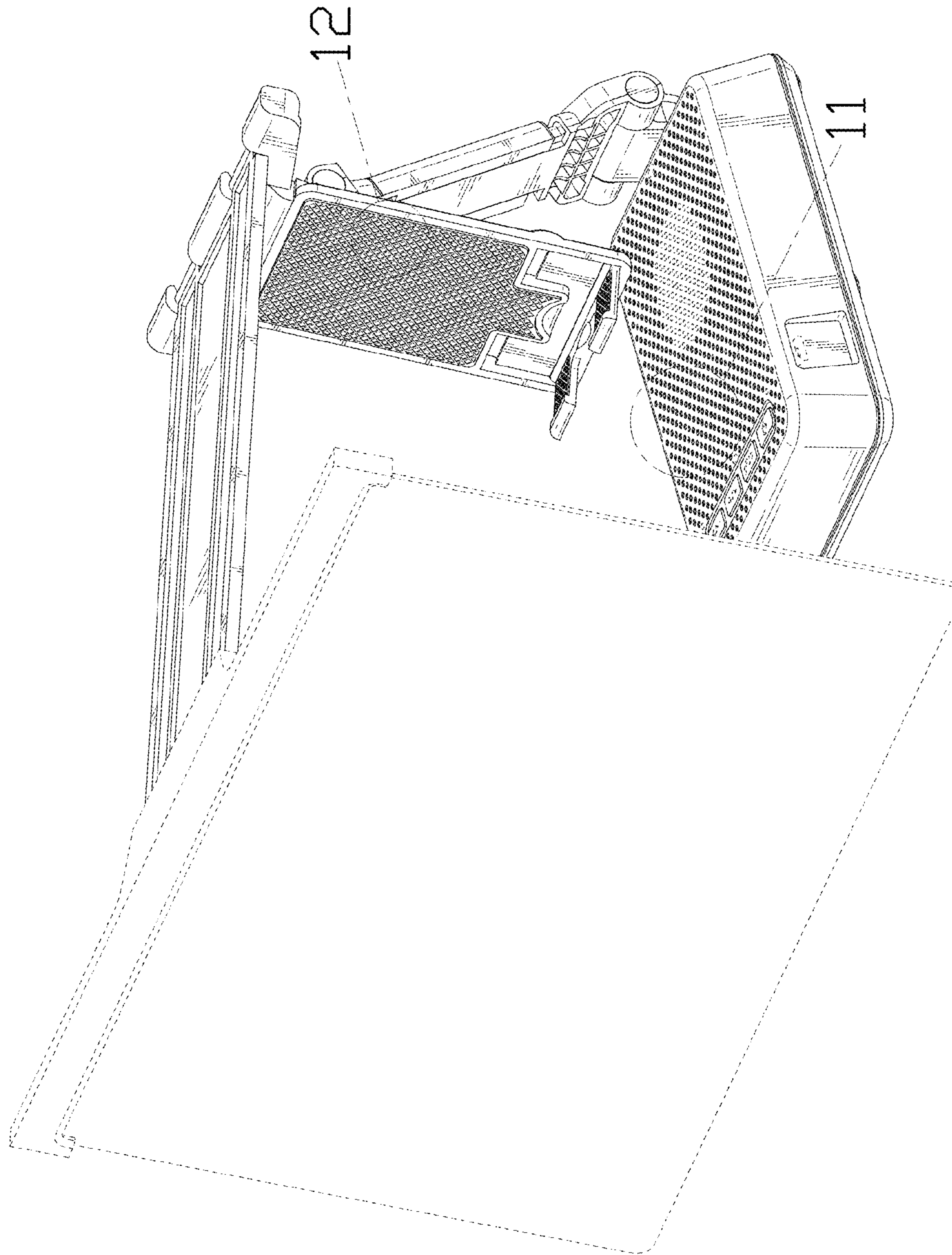


FIG. 1

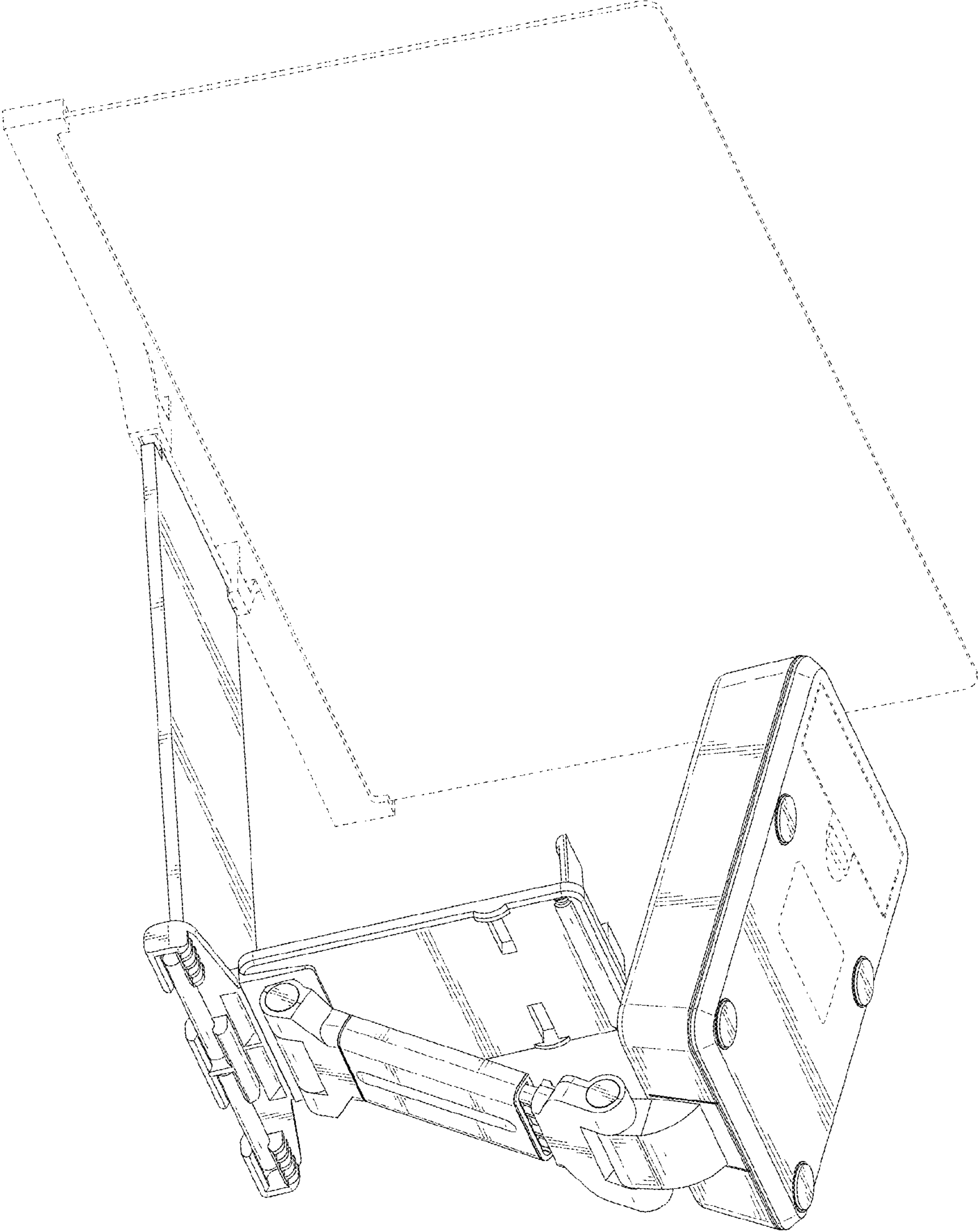


FIG. 2

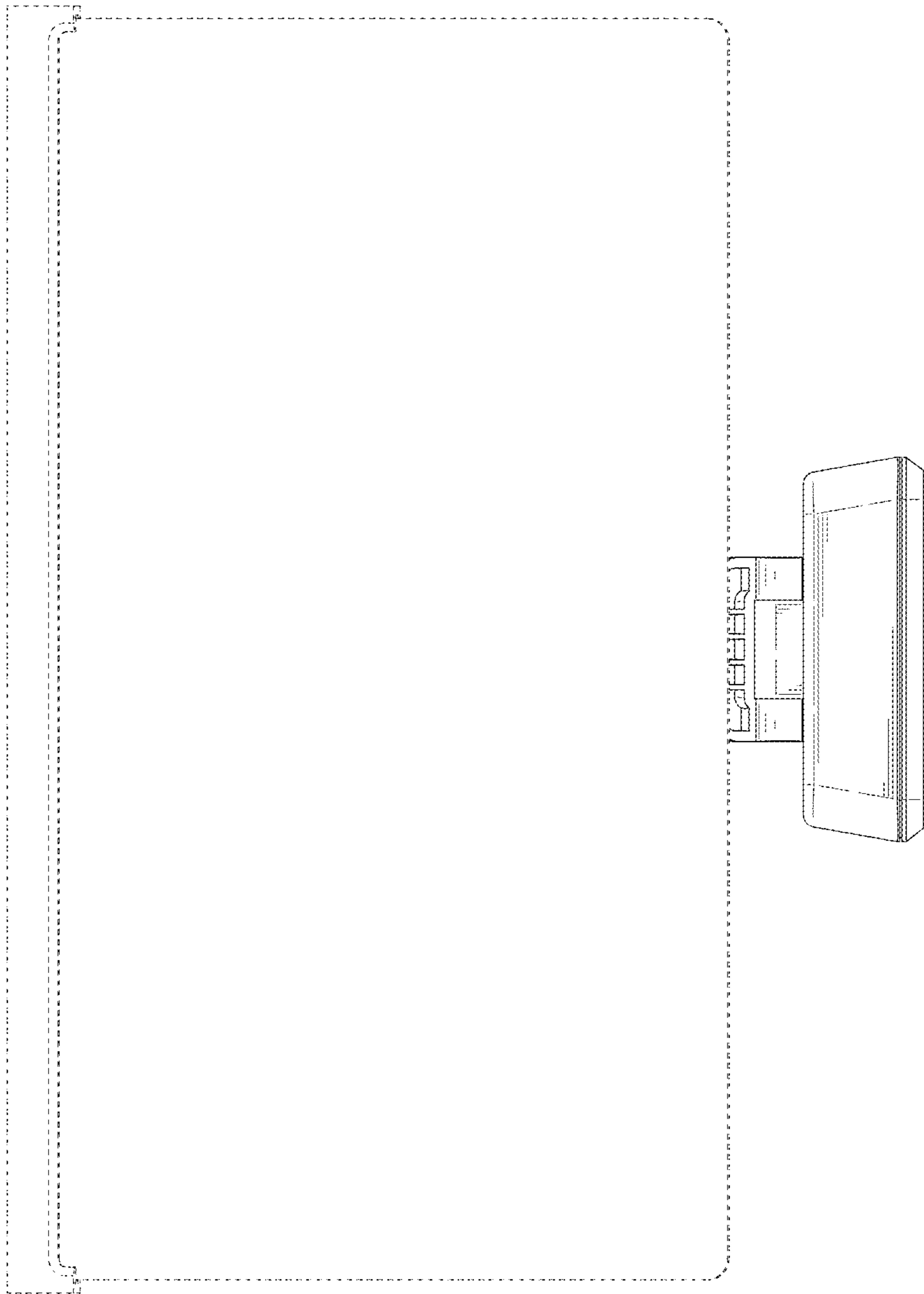


FIG. 3

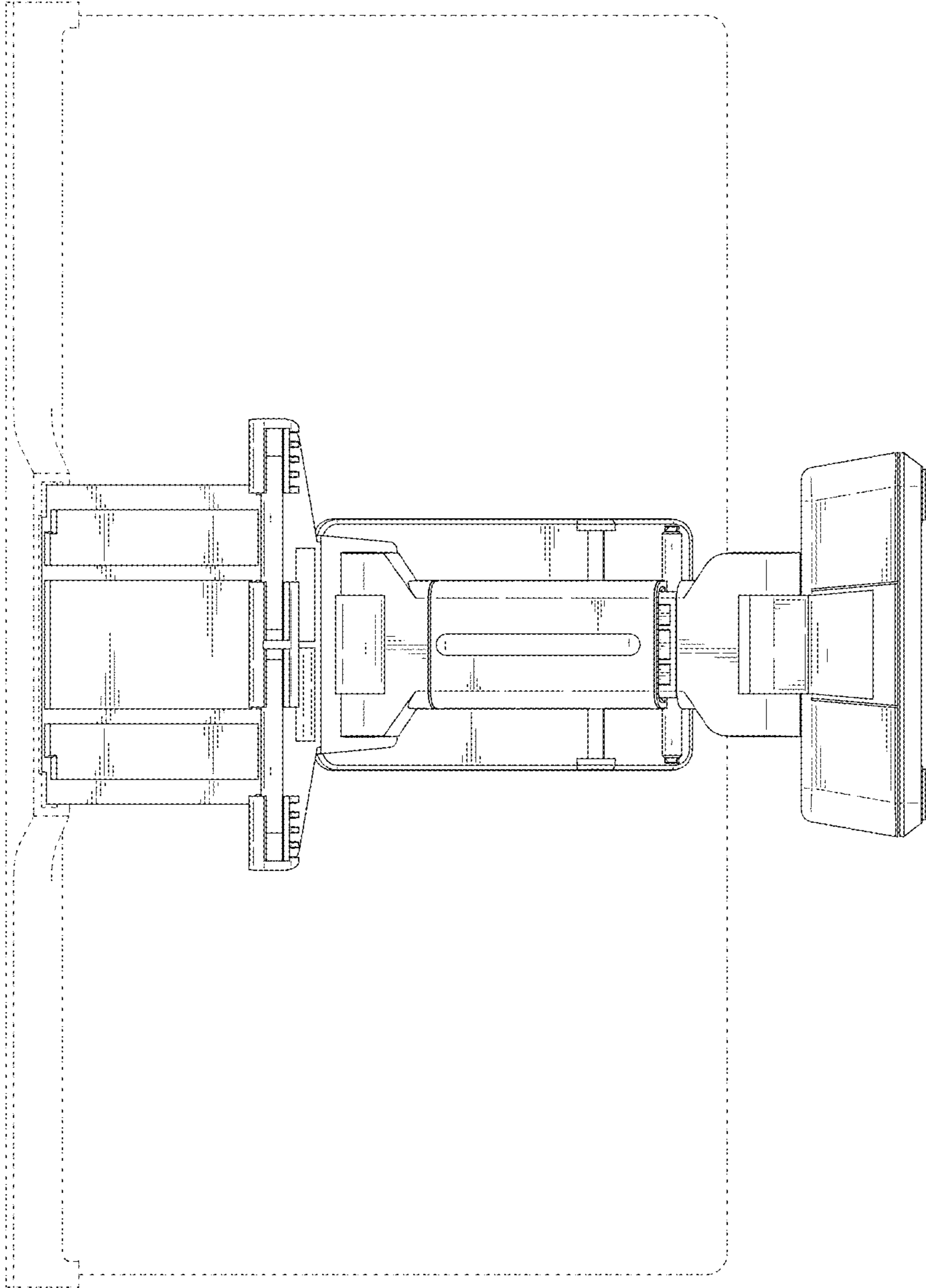


FIG. 4

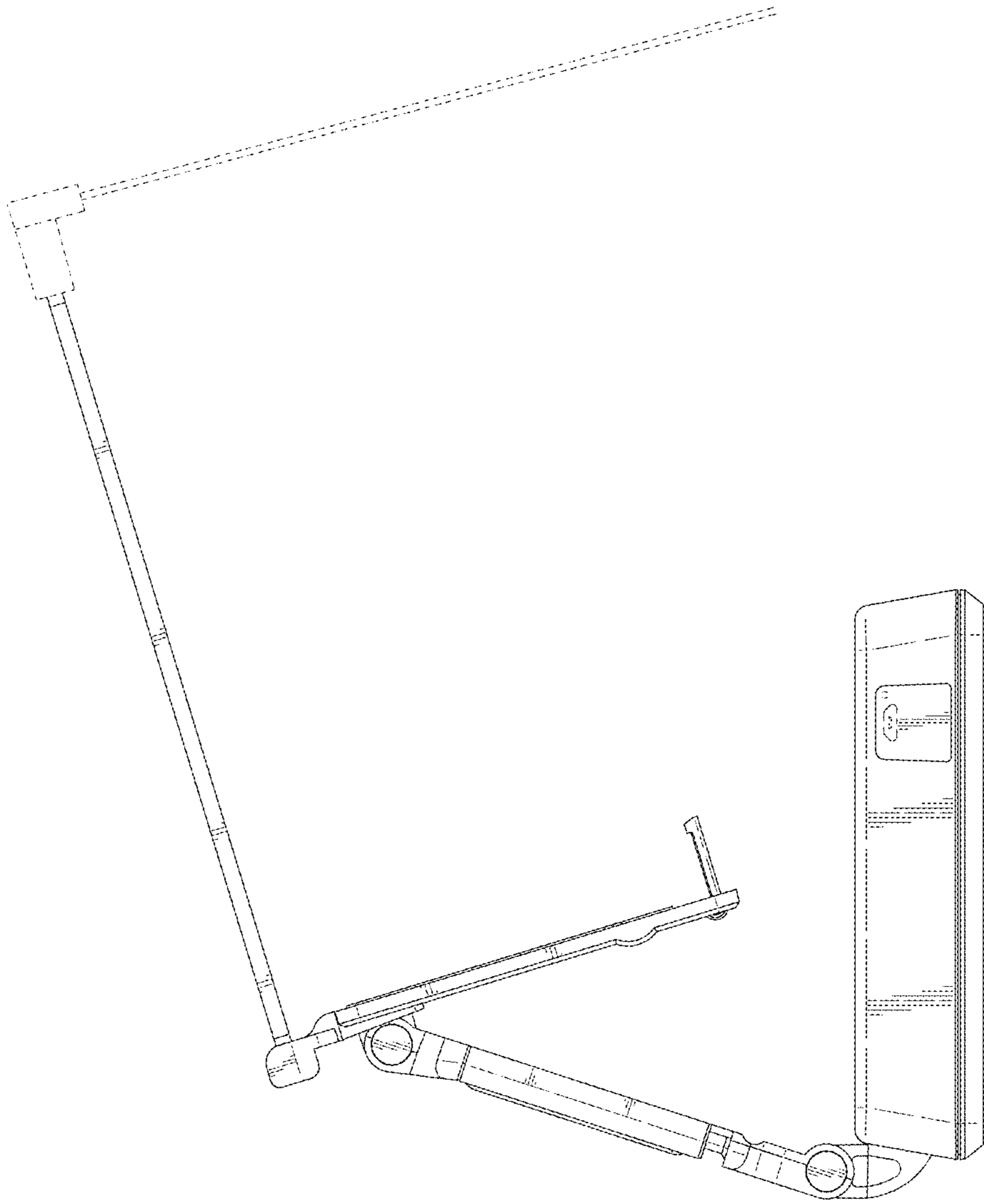


FIG. 5

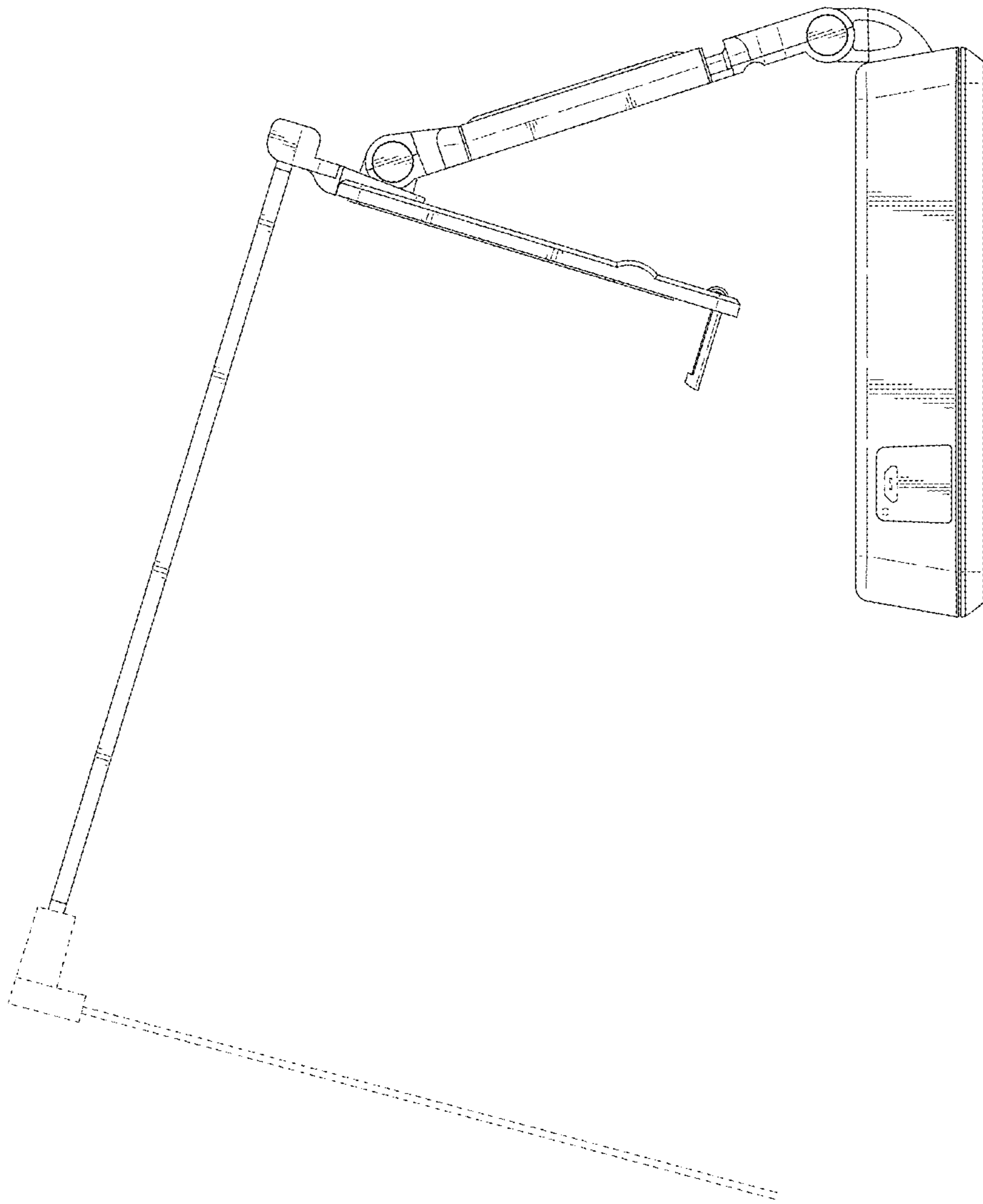


FIG. 6

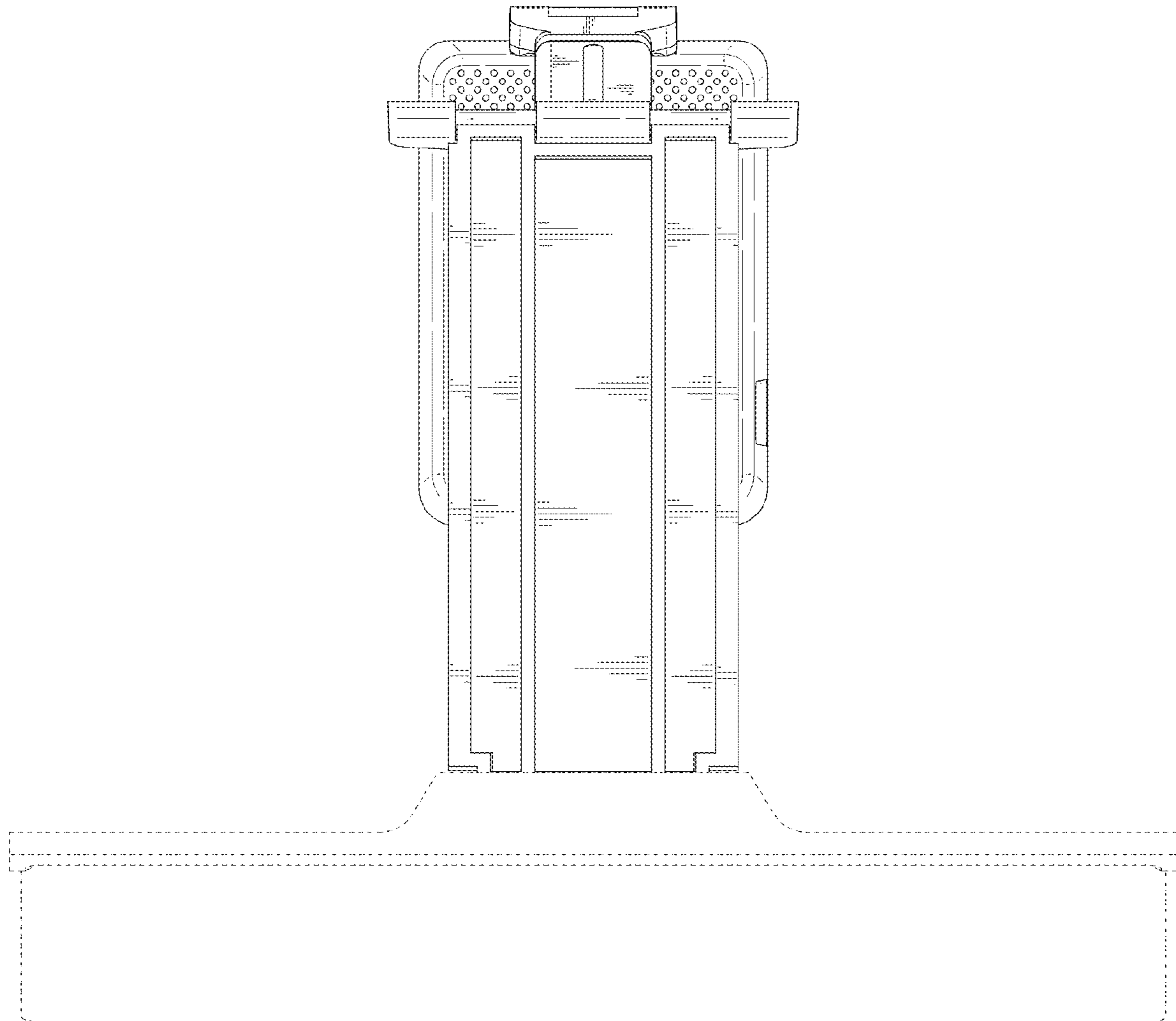


FIG. 7

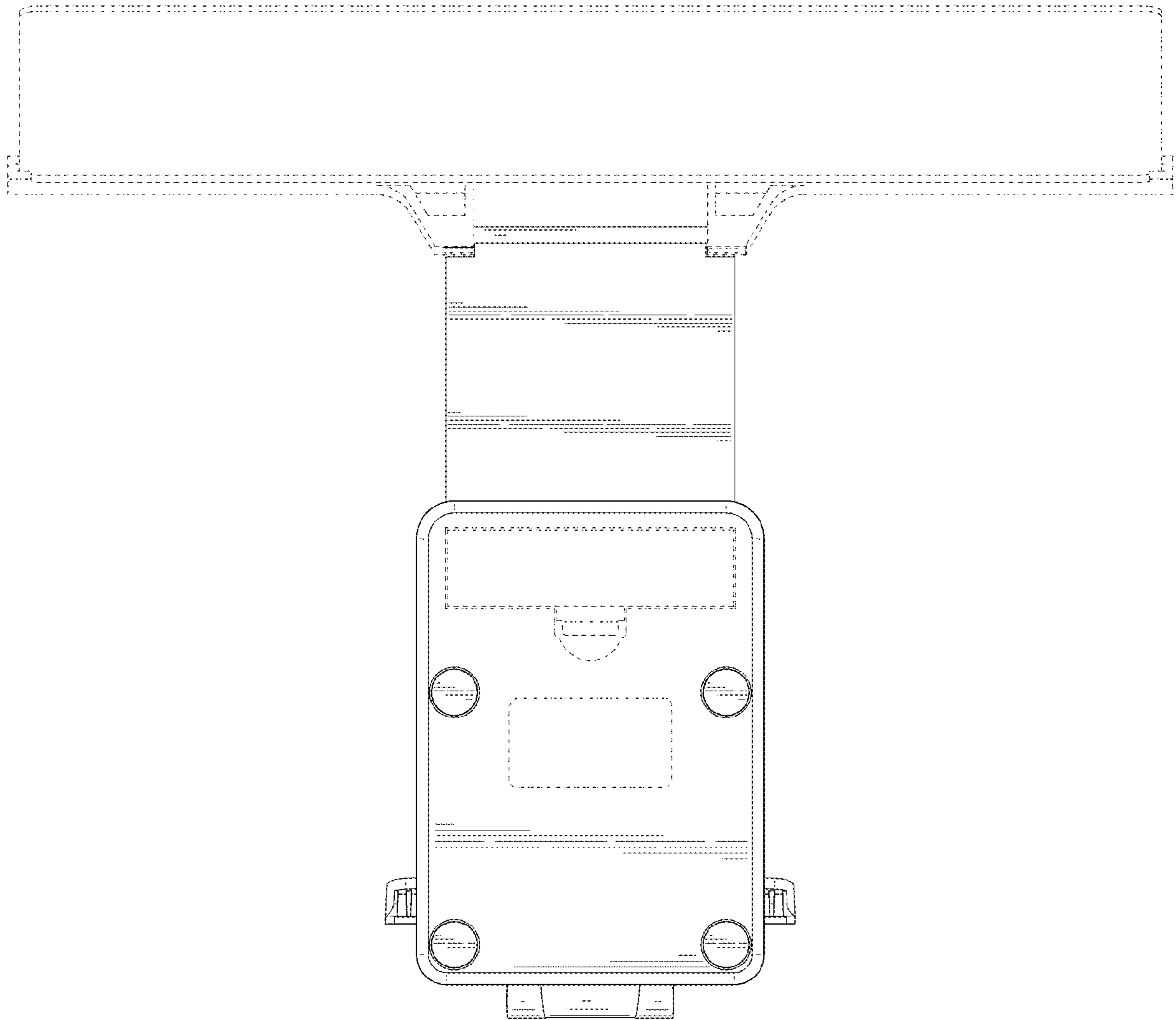


FIG. 8

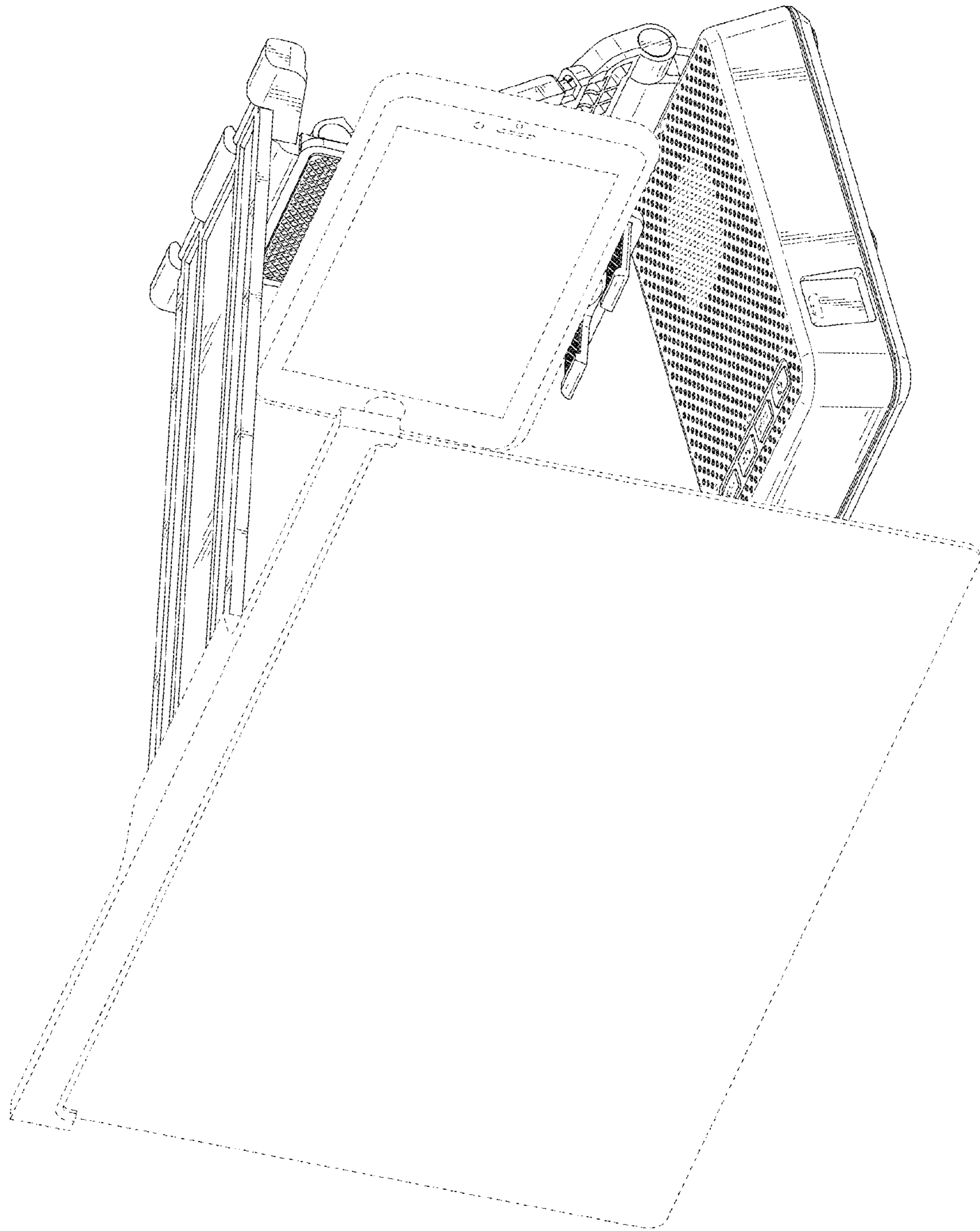


FIG. 9

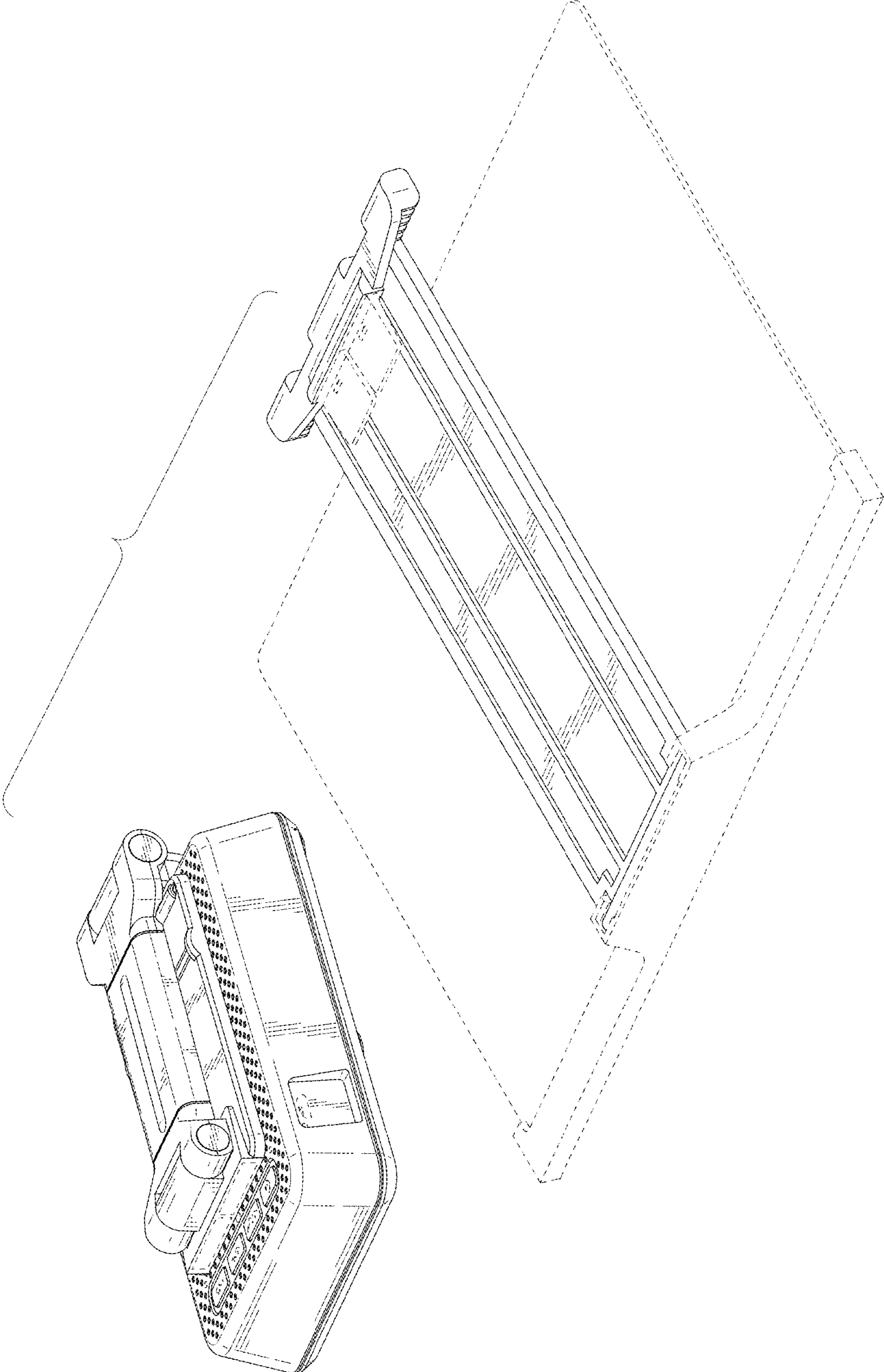


FIG. 10

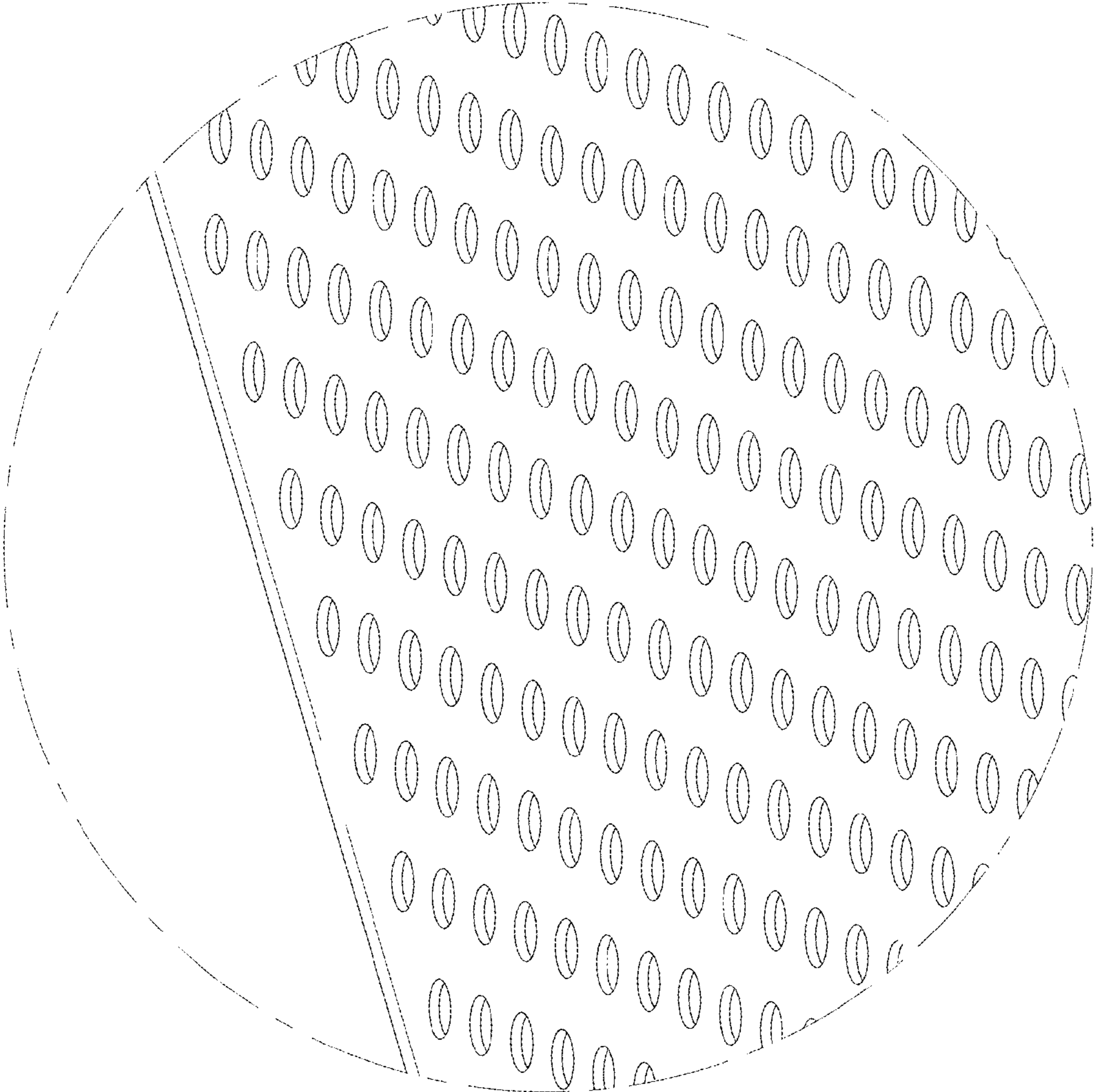


FIG. 11

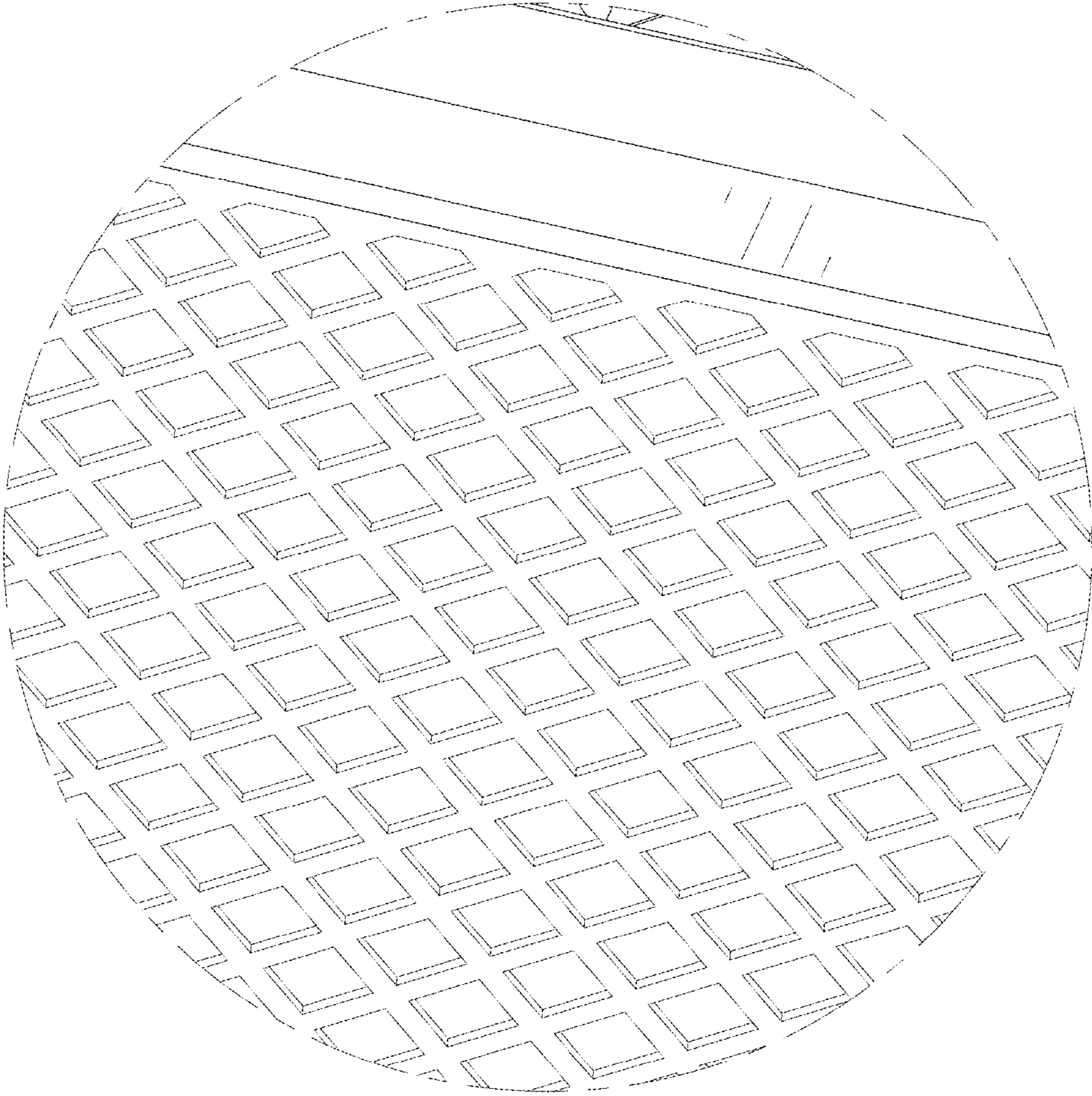


FIG. 12