



US00D966385S

(12) **United States Design Patent**
Chen

(10) **Patent No.:** **US D966,385 S**

(45) **Date of Patent:** **** Oct. 11, 2022**

- (54) **NIGHT VISION GOGGLES**
- (71) Applicant: **Zhujun Chen**, Dongguan (CN)
- (72) Inventor: **Zhujun Chen**, Dongguan (CN)
- (73) Assignee: **Dongguan Aomeijia Electronic Dongguan**, Guangdong (CN)

5,943,174 A *	8/1999	Bryant	H01J 29/98	359/809
D472,256 S *	3/2003	Schick	D16/132	
D533,573 S *	12/2006	Barber	D16/132	
D578,599 S *	10/2008	Cheng	D22/108	
D616,956 S *	6/2010	Hamilton	D22/108	
D903,735 S *	12/2020	Chen	D16/132	

- (**) Term: **15 Years**
- (21) Appl. No.: **29/749,576**
- (22) Filed: **Sep. 7, 2020**

* cited by examiner

Primary Examiner — Richard Kearney
Assistant Examiner — Benjamin M Weeks

(30) **Foreign Application Priority Data**

Aug. 18, 2020 (CN) 202030471777.2

- (51) **LOC (13) Cl.** **16-06**
- (52) **U.S. Cl.**
USPC **D16/133**
- (58) **Field of Classification Search**
USPC D16/130, 131, 132, 133, 135, 136, 200,
D16/202, 203, 219, 230; D10/70
CPC G02B 23/00; G02B 23/12; G02B 23/18;
G02B 23/16
See application file for complete search history.

(57) **CLAIM**

The ornamental design for a night vision goggles, as shown and described.

DESCRIPTION

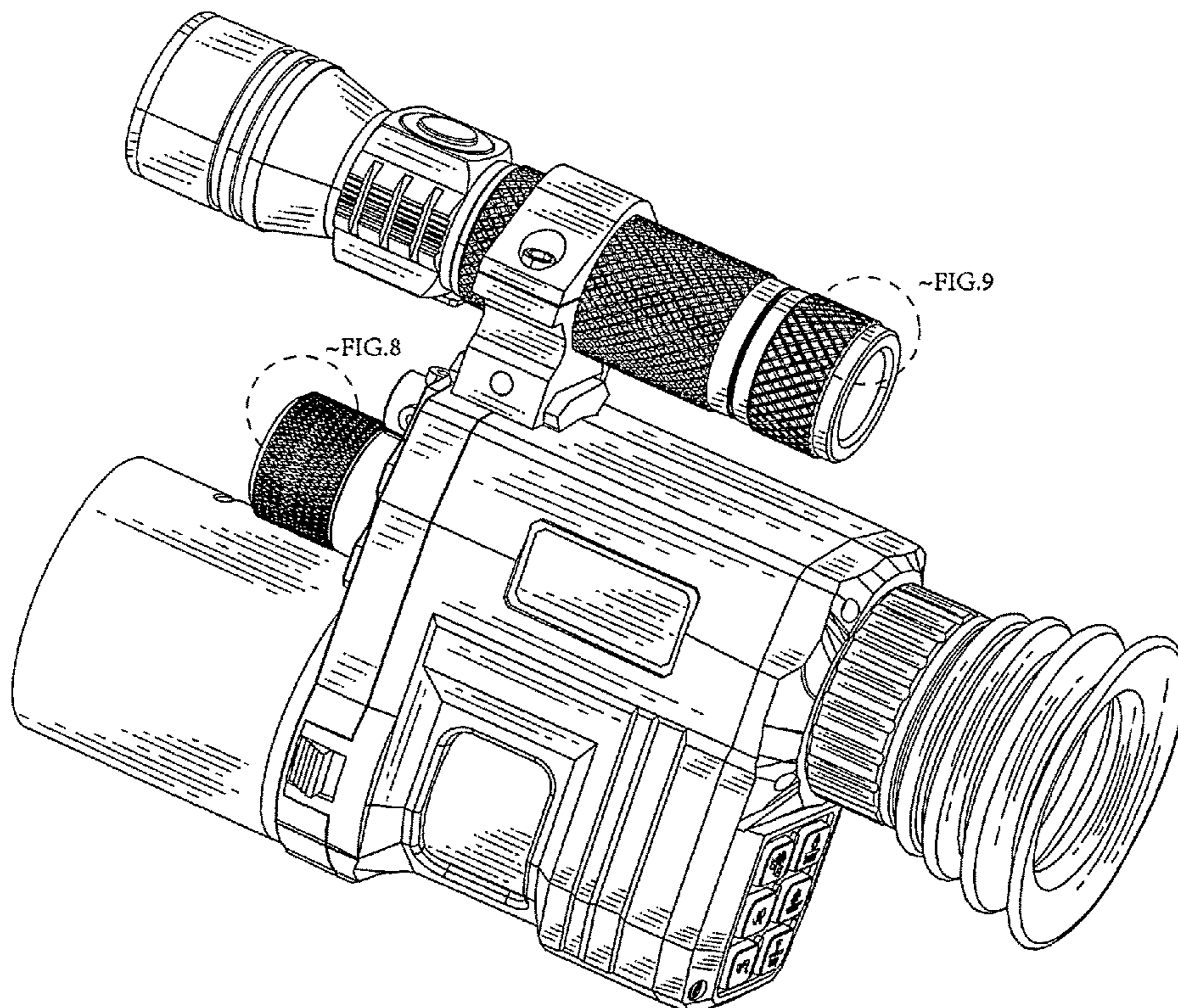
FIG. 1 is a perspective view of a night vision goggles showing my new design;
 FIG. 2 is a front elevation view thereof;
 FIG. 3 is a rear elevation view thereof;
 FIG. 4 is a left side elevation view thereof;
 FIG. 5 is a right side elevation view thereof;
 FIG. 6 is a top plan view thereof;
 FIG. 7 is a bottom plan view thereof;
 FIG. 8 is an enlarged view of the night vision goggles taken from the circle part in FIG. 1; and,
 FIG. 9 is another enlarged view of the night vision goggles taken from the circle part in FIG. 1.
 The broken lines depict portions of the night vision goggles that form no part of the claimed design.

(56) **References Cited**

U.S. PATENT DOCUMENTS

5,796,516 A *	8/1998	Palmer	G02B 23/12	359/399
D413,130 S *	8/1999	Bryant	D16/132	

1 Claim, 9 Drawing Sheets



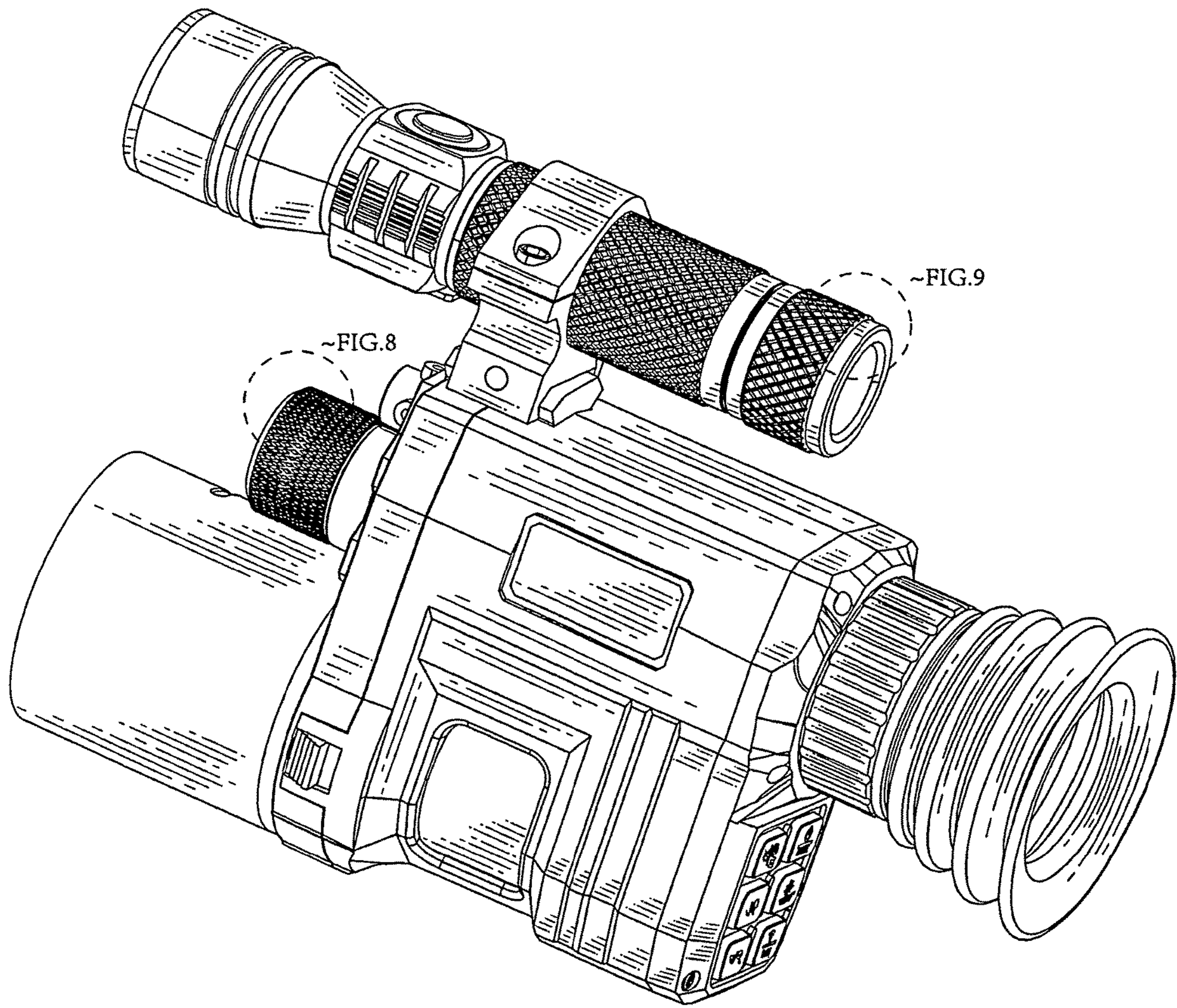


FIG. 1

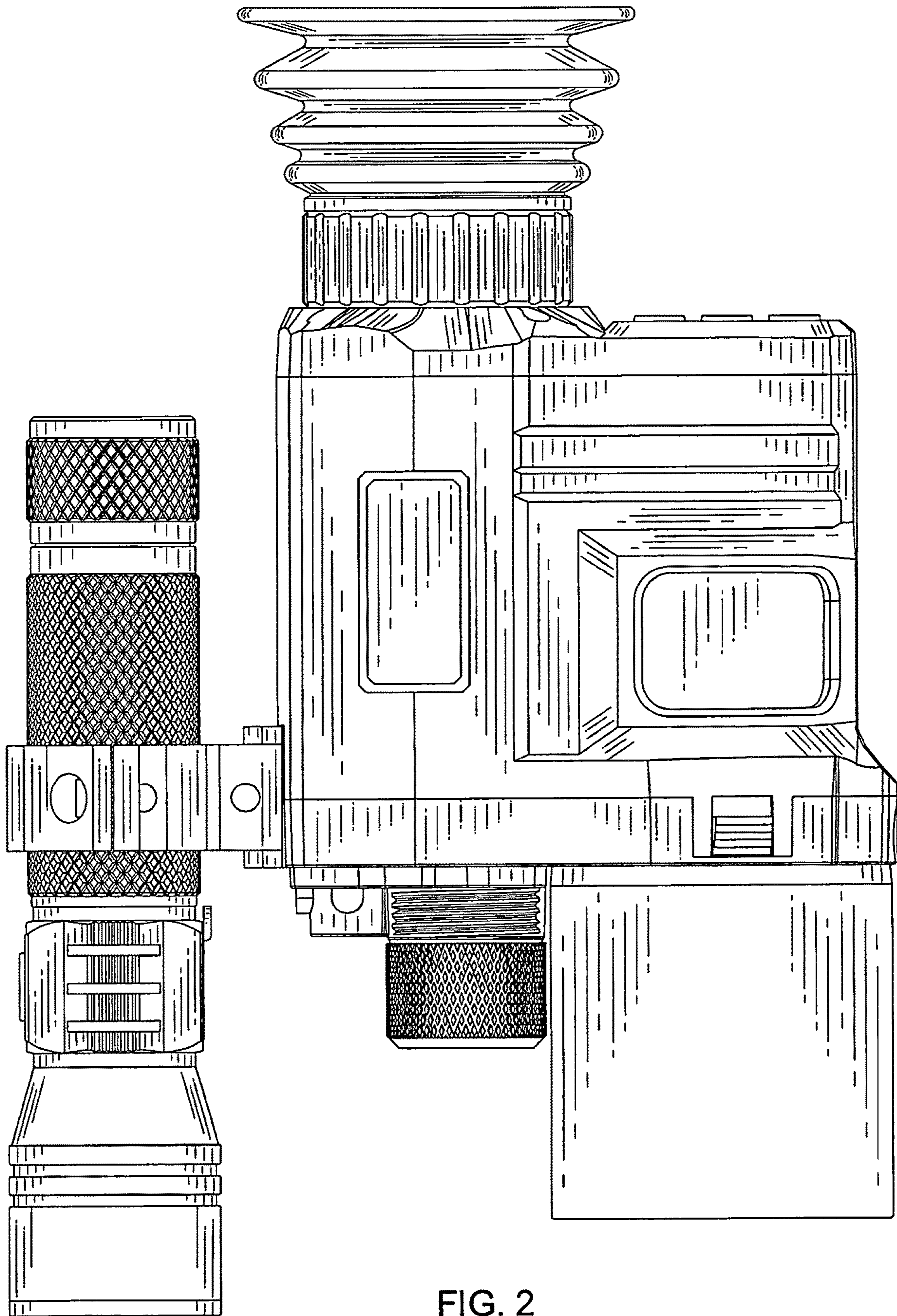


FIG. 2

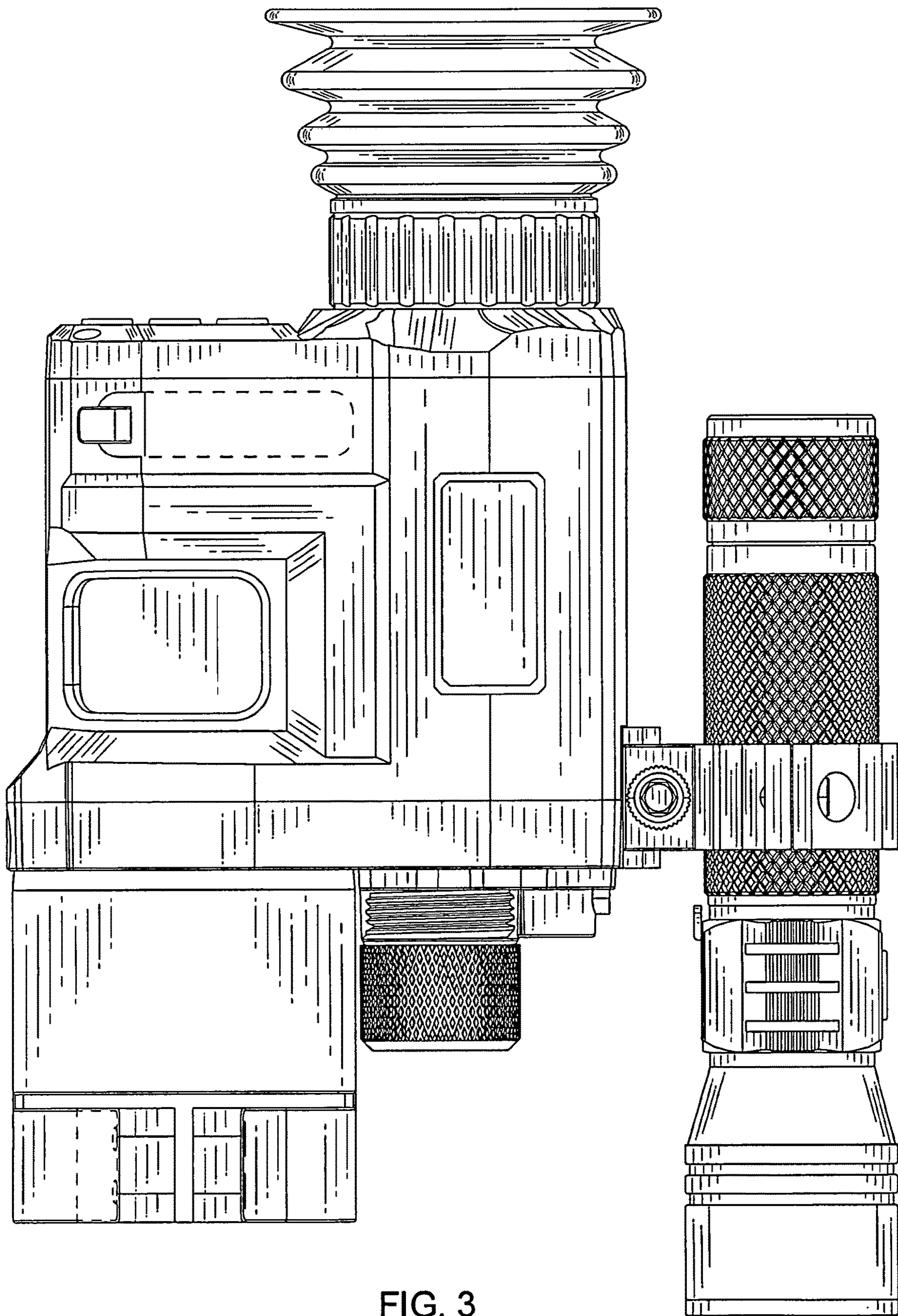


FIG. 3

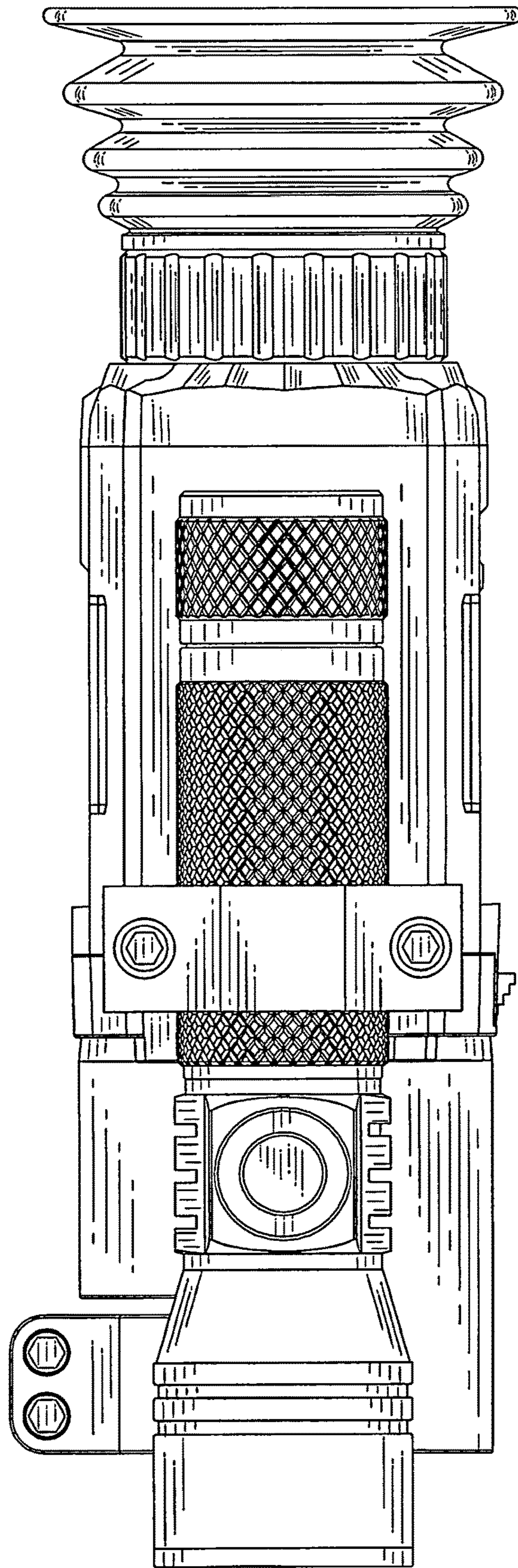


FIG. 4

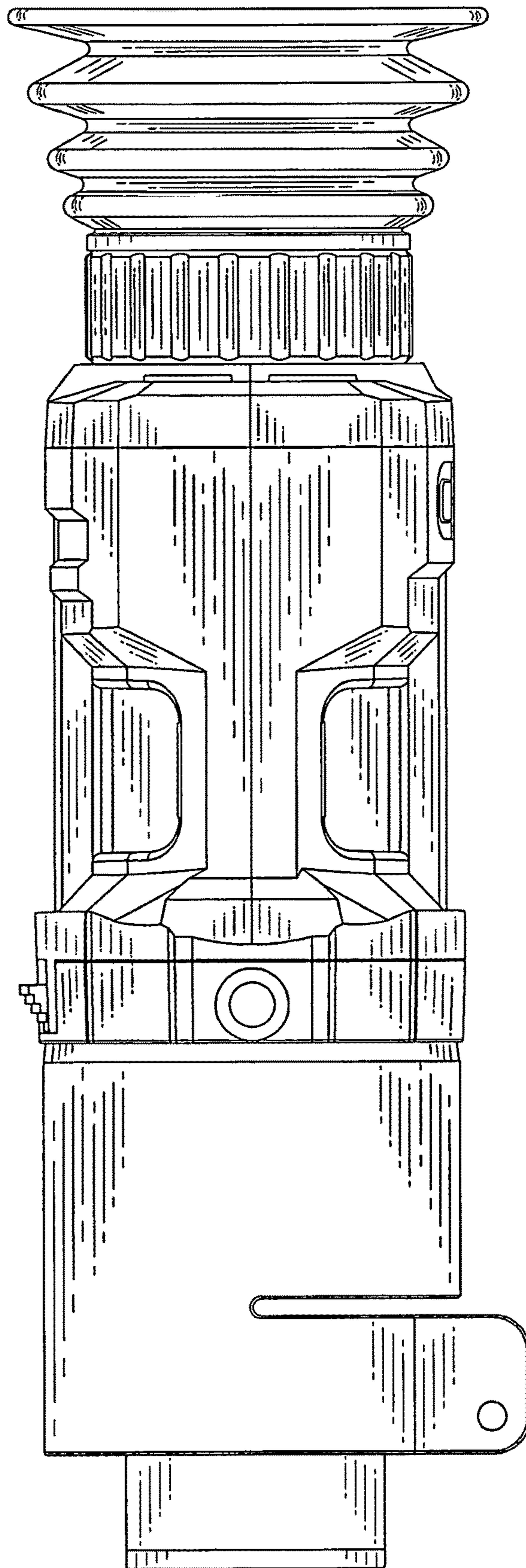


FIG. 5

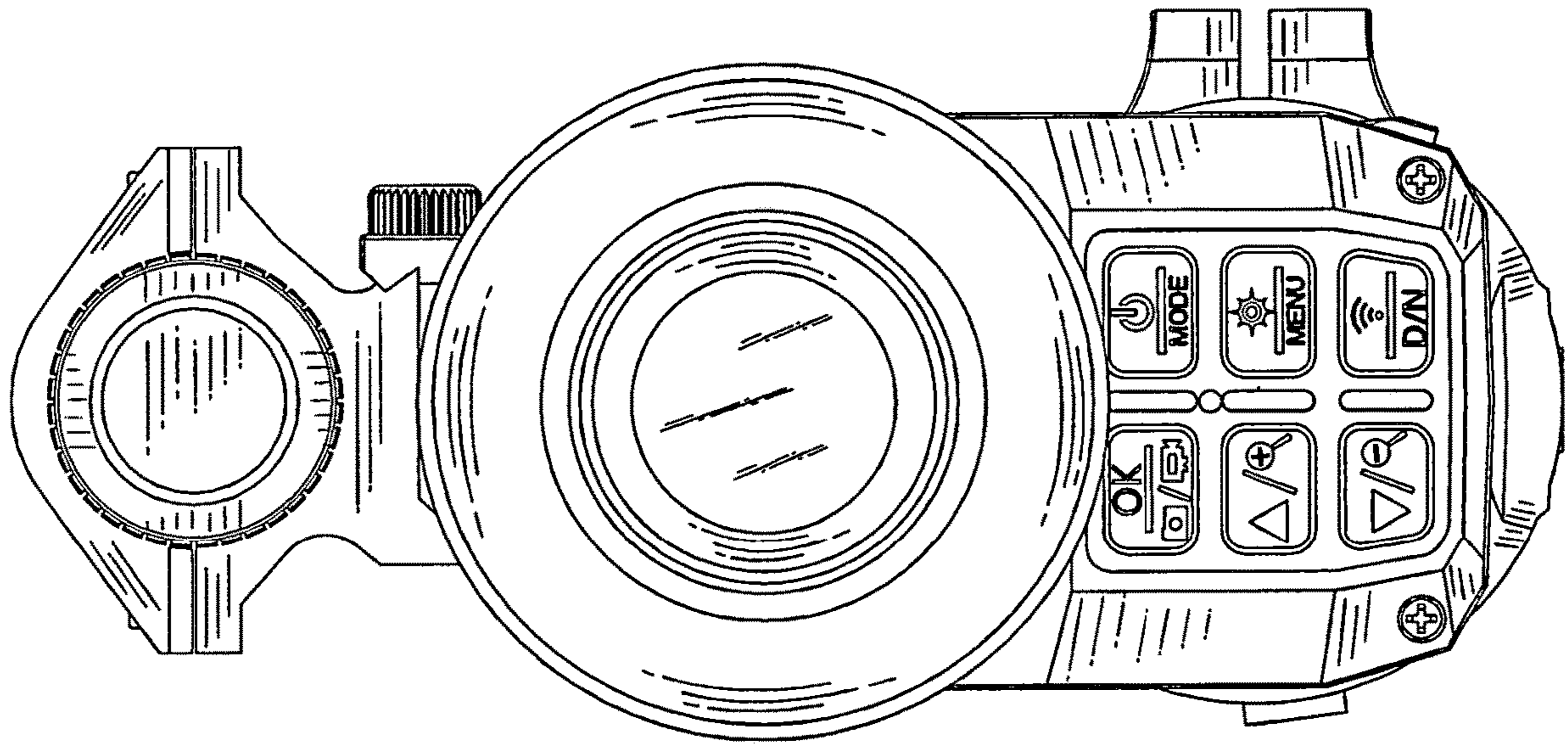


FIG. 6

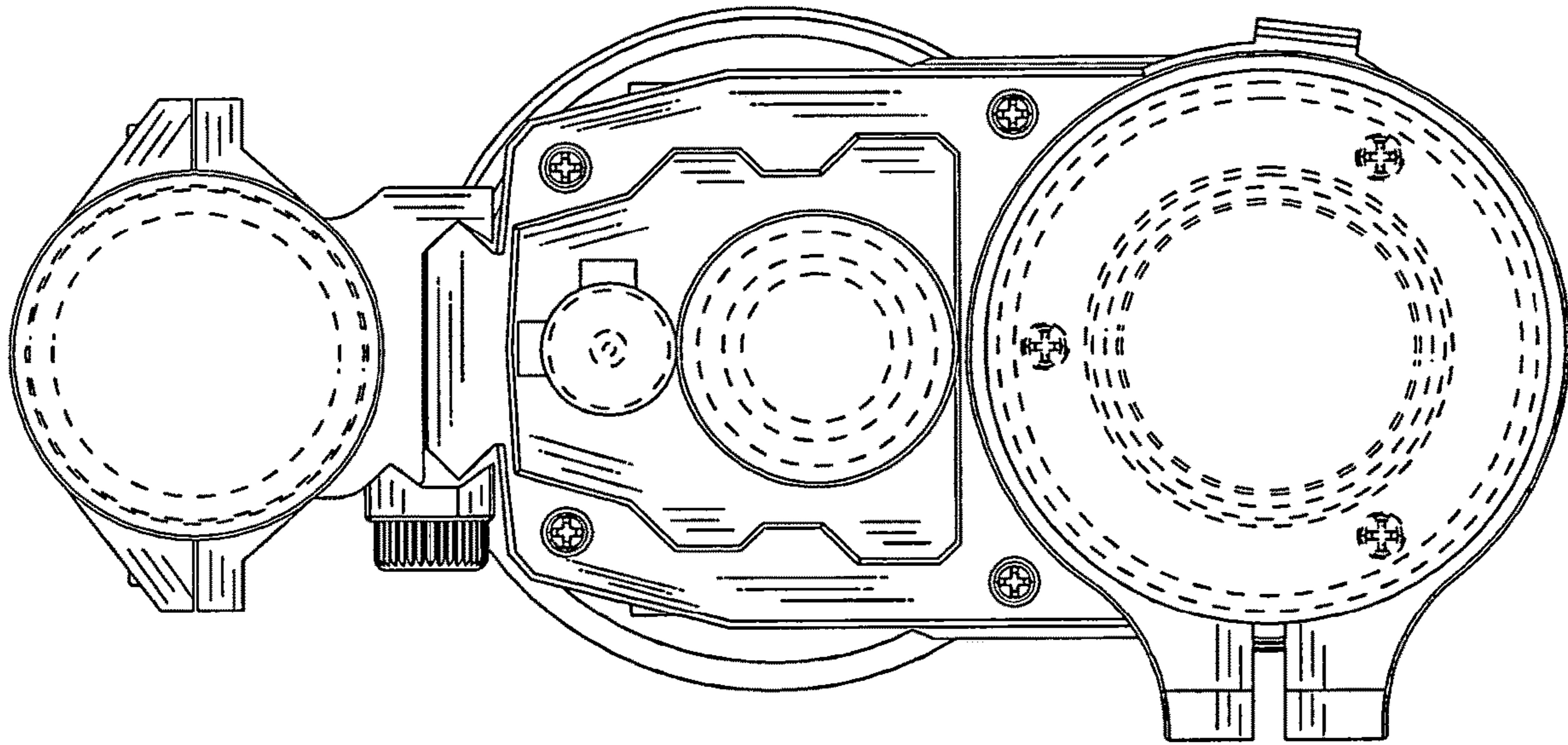


FIG. 7

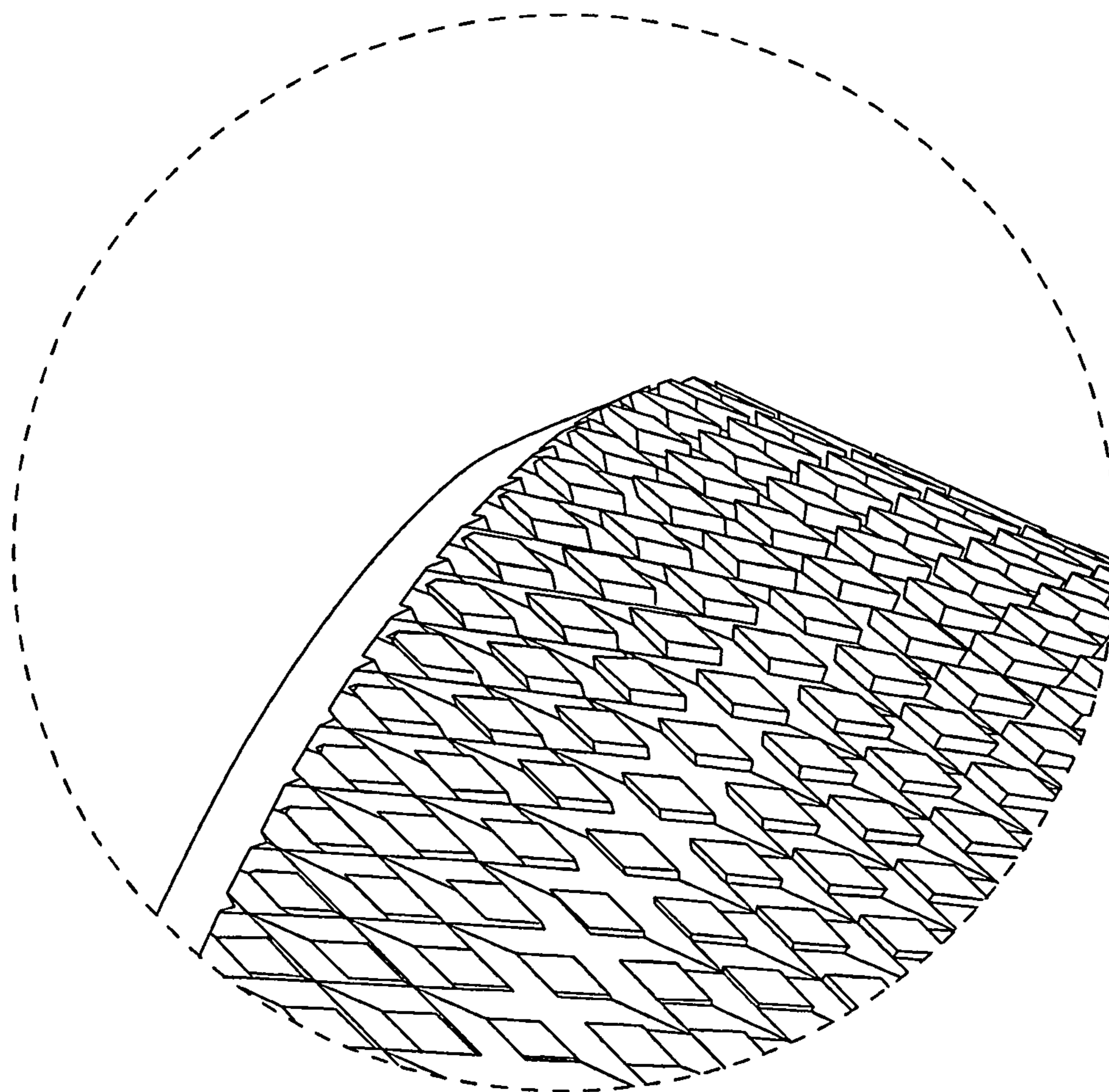


FIG. 8

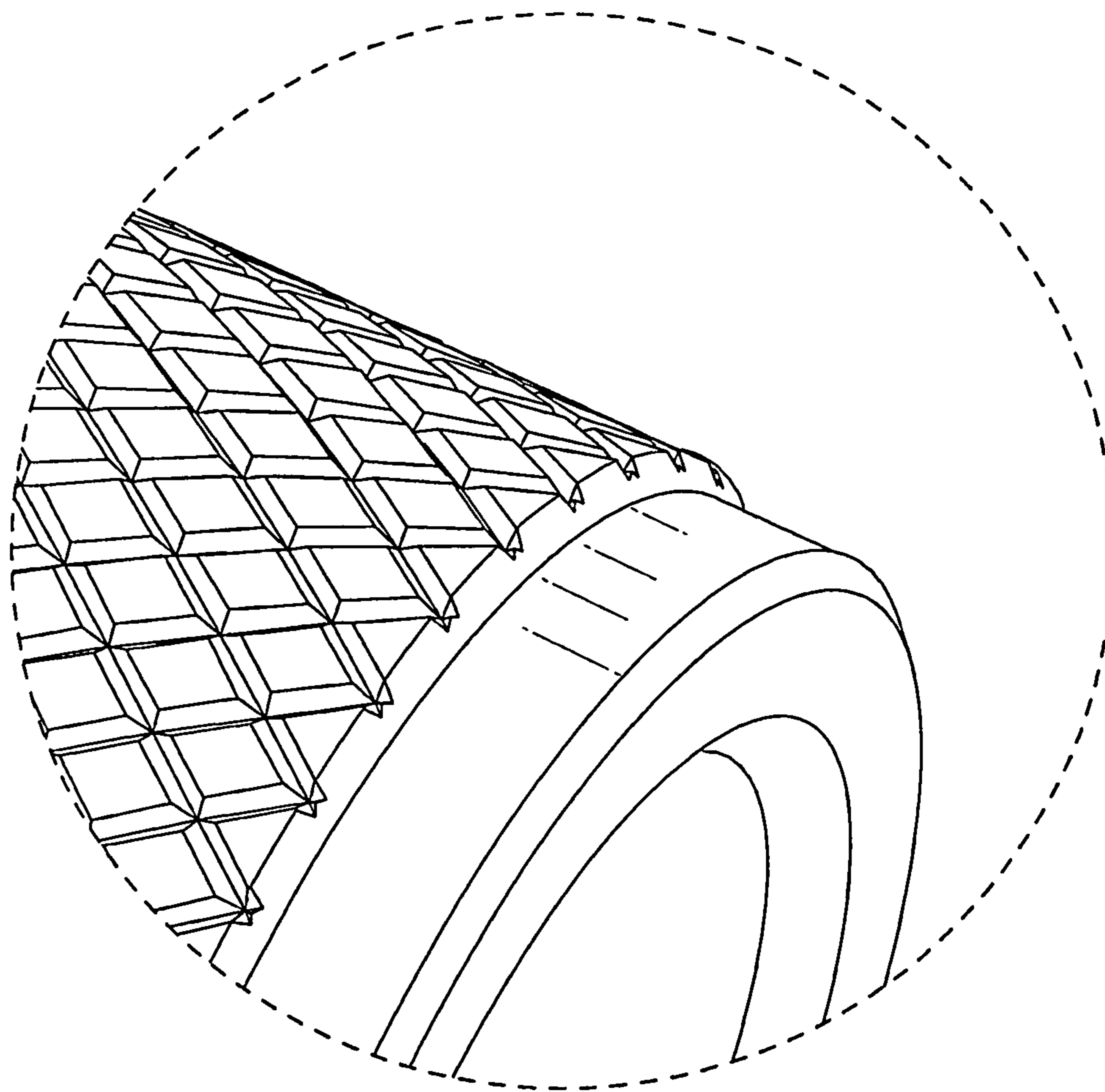


FIG. 9