

US00D966384S

(12) **United States Design Patent** (10) **Patent No.:** **US D966,384 S**
Jiang (45) **Date of Patent:** **** Oct. 11, 2022**

(54) **MICROSCOPE CAMERA**

(71) Applicant: **Xiaoli Jiang**, Xinmi (CN)

(72) Inventor: **Xiaoli Jiang**, Xinmi (CN)

(**) Term: **15 Years**

(21) Appl. No.: **29/833,945**

(22) Filed: **Apr. 8, 2022**

(51) **LOC (13) Cl.** **16-06**

(52) **U.S. Cl.**
USPC **D16/131; D16/208**

(58) **Field of Classification Search**
USPC D16/130, 136, 237, 239, 241, 242, 250,
D16/221, 222, 225, 229, 235, 236, 200,
D16/203, 204, 208, 214, 218, 219, 220;
D22/108, 109
CPC .. H04N 5/2251; H04N 5/2252; H04N 5/2253;
H04N 5/2254; G03B 17/00; G03B
17/0212

See application file for complete search history.

(56) **References Cited**

U.S. PATENT DOCUMENTS

D473,250 S	4/2003	Katayama	
D479,549 S	9/2003	Ng	
D485,288 S	1/2004	Watarai	
D524,342 S	7/2006	Suzuki	
D633,122 S	2/2011	Booker	
D750,686 S *	3/2016	Chen	D16/218
D796,565 S	9/2017	Lagerstedt	
D834,084 S	11/2018	Gredler	
D856,392 S	8/2019	Luo	
D865,836 S	11/2019	Puusaari	
D897,403 S *	9/2020	Liu	D16/202

D939,609 S *	12/2021	Han	D16/202
D939,610 S *	12/2021	Han	D16/202
D950,630 S *	5/2022	Dallmeier	D16/219
D951,321 S *	5/2022	Muhlenkamp, IV	D16/200
D954,128 S *	6/2022	Coster	D16/219
D957,497 S *	7/2022	Laffon de Mazieres	D16/203
11,399,129 B2 *	7/2022	Stern	H04N 5/22541
2006/0077535 A1 *	4/2006	Luther	G03B 17/48 396/530
2013/0156415 A1 *	6/2013	Tanaka	G03B 17/00 29/842

FOREIGN PATENT DOCUMENTS

GB 6201459 * 4/2022

* cited by examiner

Primary Examiner — Richard Kearney

Assistant Examiner — Benjamin M Weeks

(74) *Attorney, Agent, or Firm* — Rumit Ranjit Kanakia

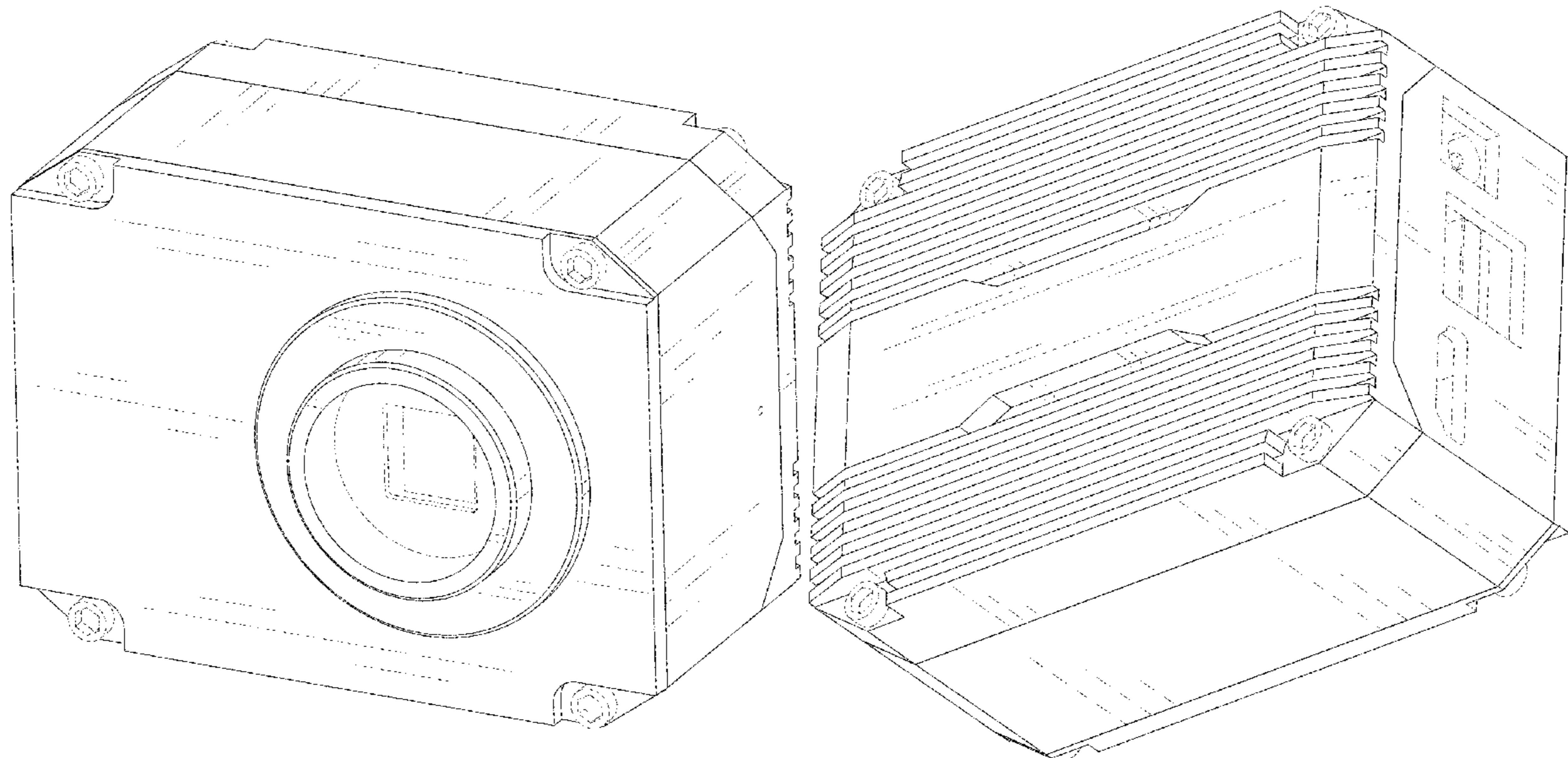
(57) **CLAIM**

The ornamental design for a microscope camera, as shown and described.

DESCRIPTION

FIG. 1 is a perspective view of a microscope camera showing my new design; FIG. 2 is another perspective view thereof; FIG. 3 is a front elevational view thereof; FIG. 4 is a rear elevational view thereof; FIG. 5 is a left side view thereof; FIG. 6 is a right side view thereof; and, FIG. 7 is a top plan view thereof, the bottom plan view being a mirror image thereof. The broken lines in the figures are for the purposes of illustrating portions of the microscope camera which form no part of the claimed design.

1 Claim, 6 Drawing Sheets



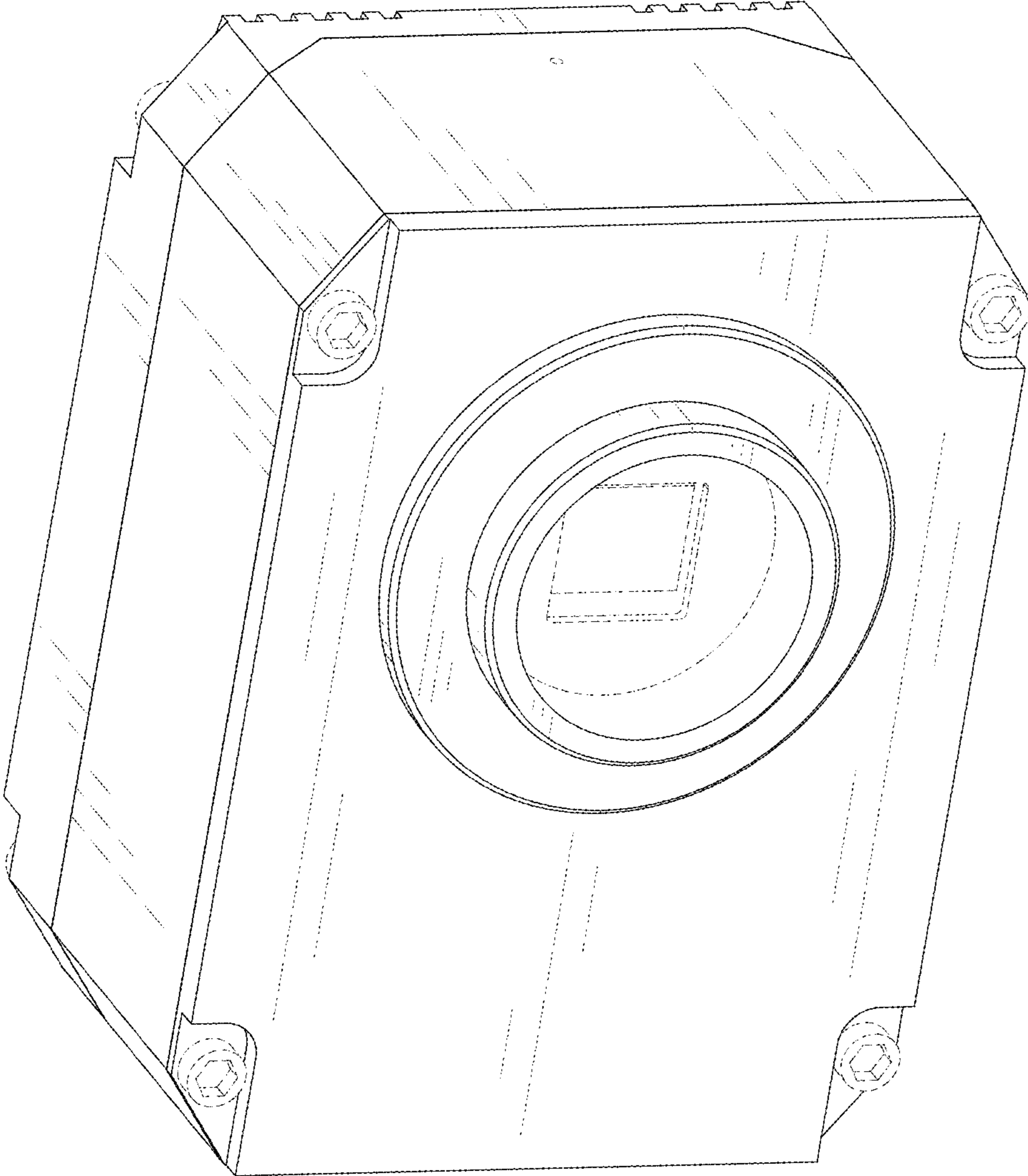


FIG. 1

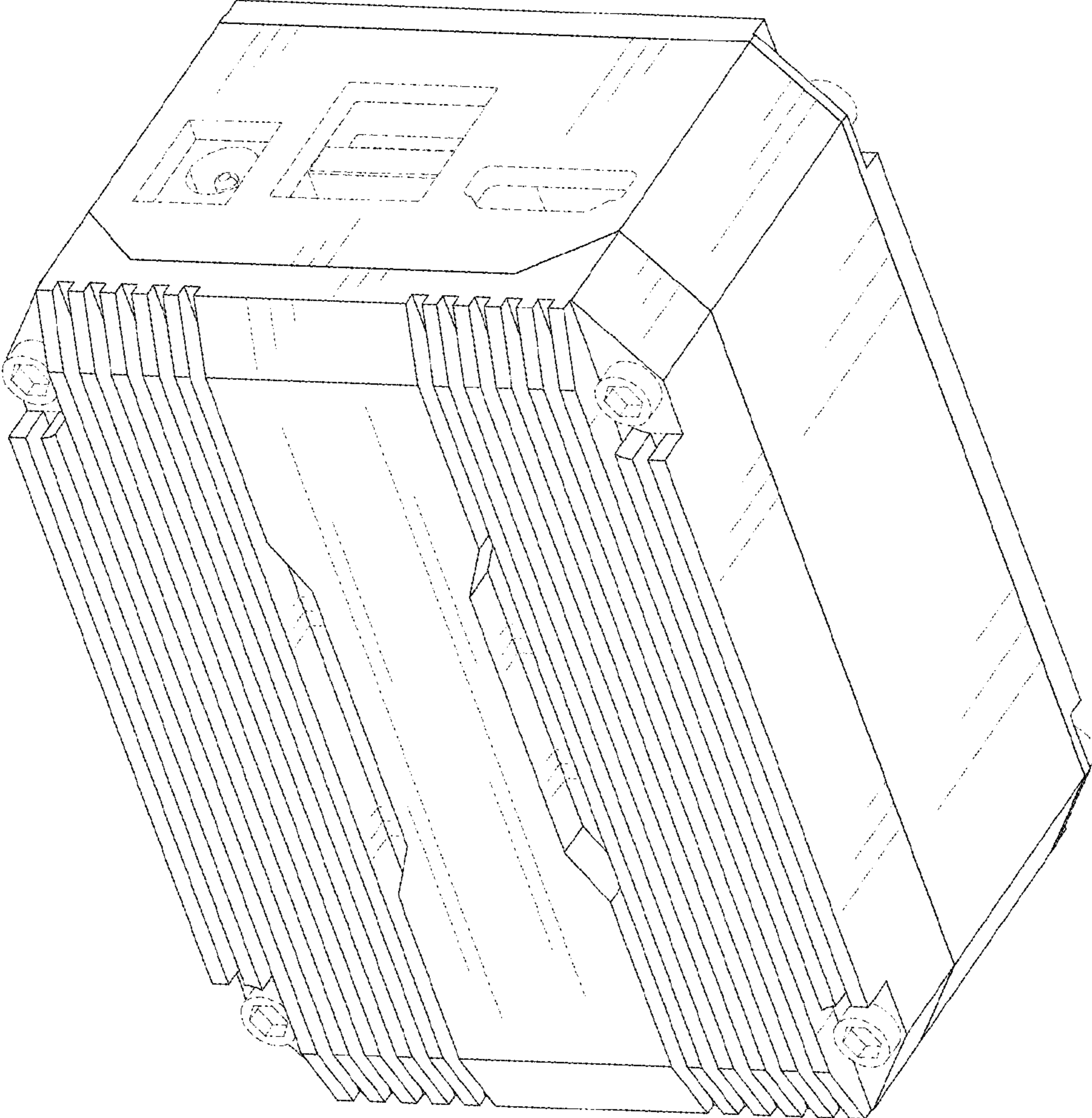


FIG. 2

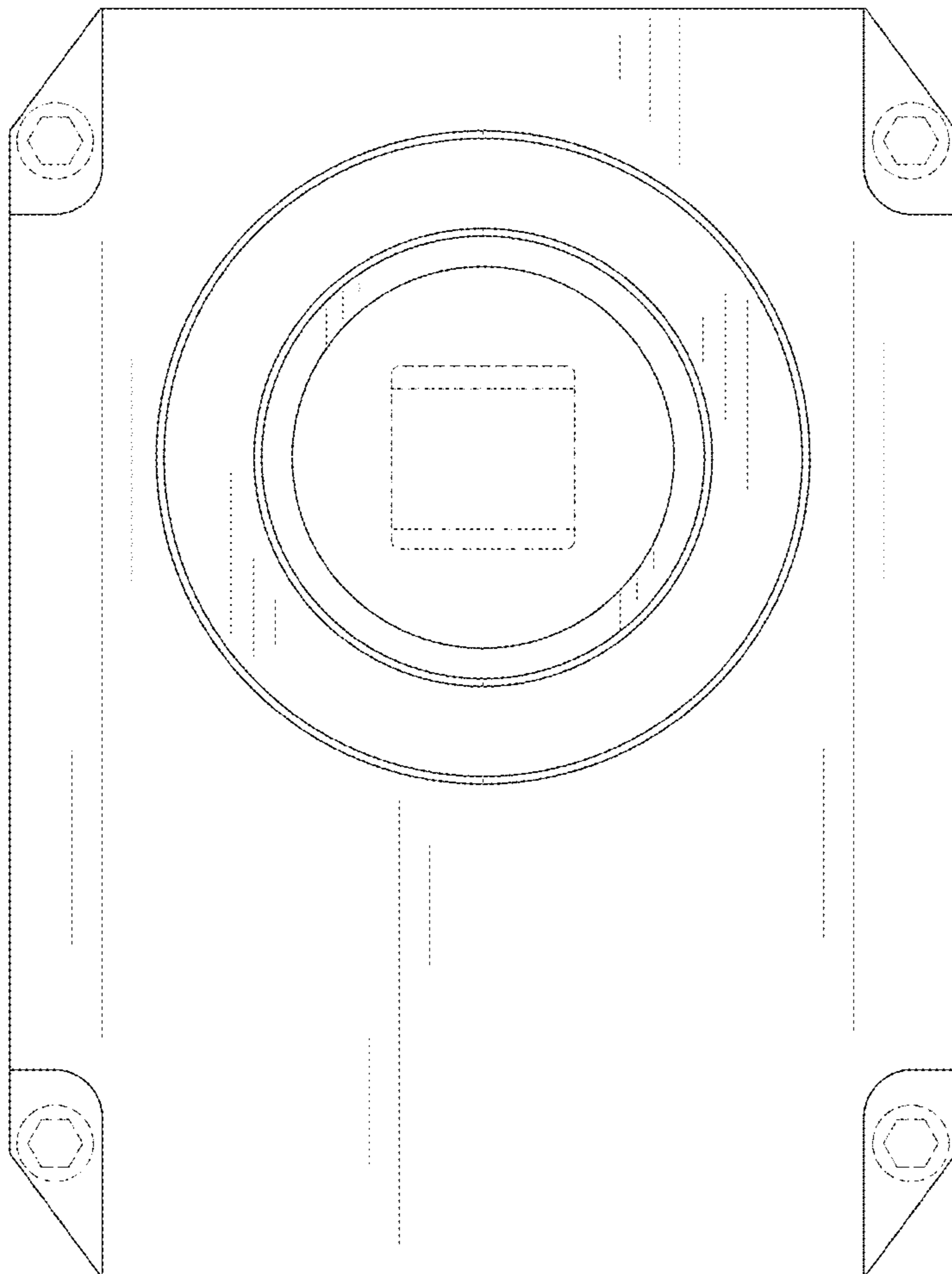


FIG. 3

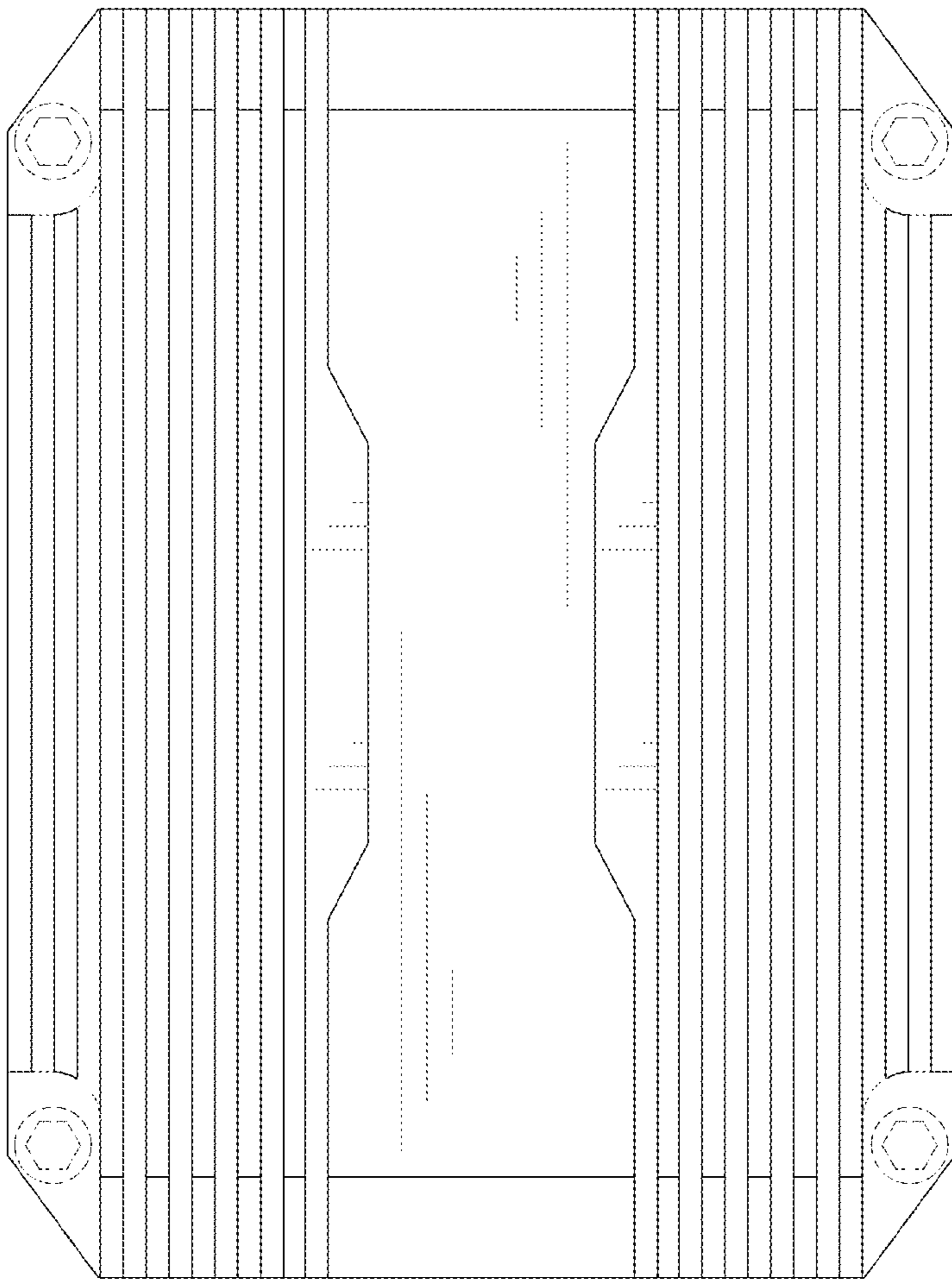


FIG. 4

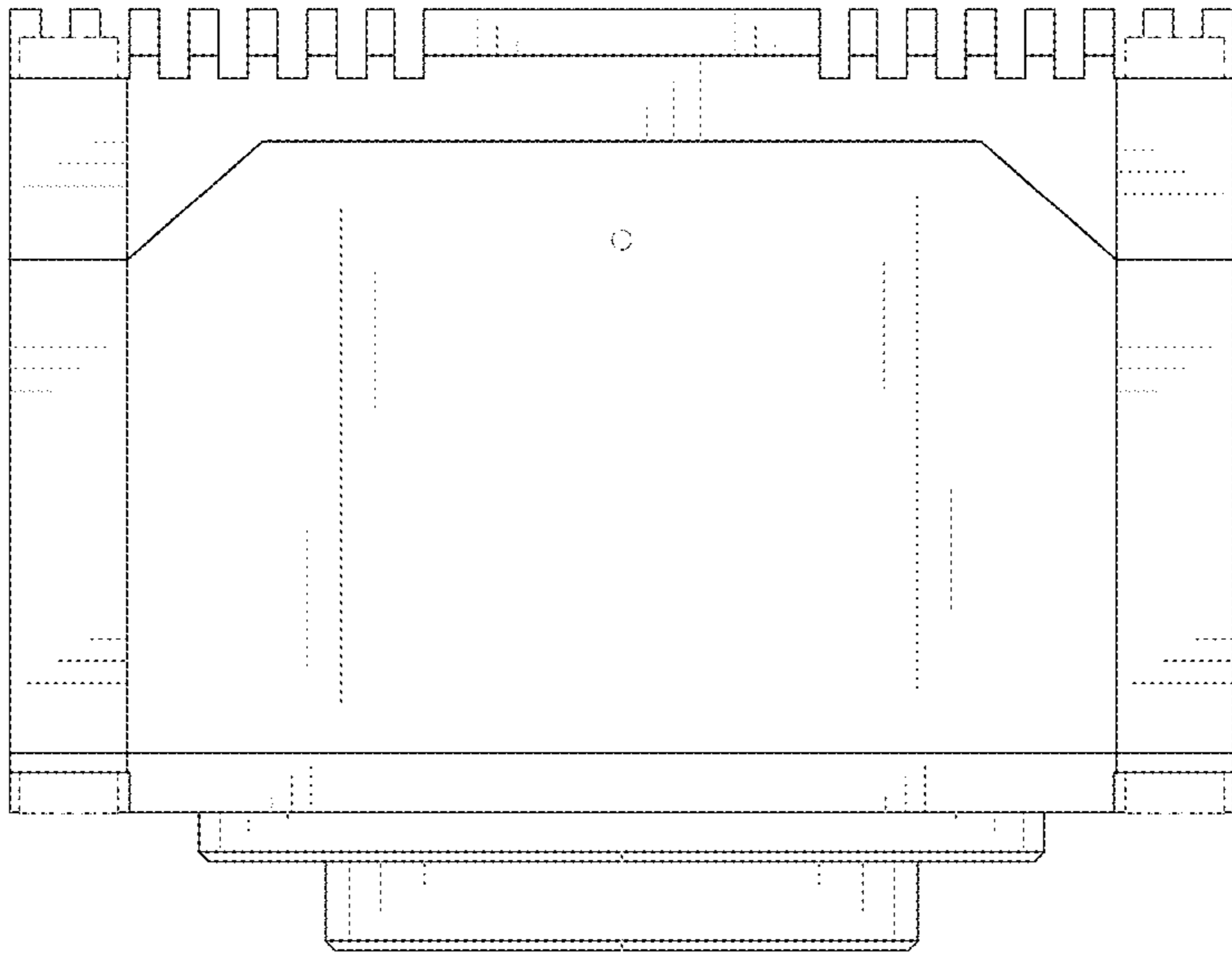


FIG. 6

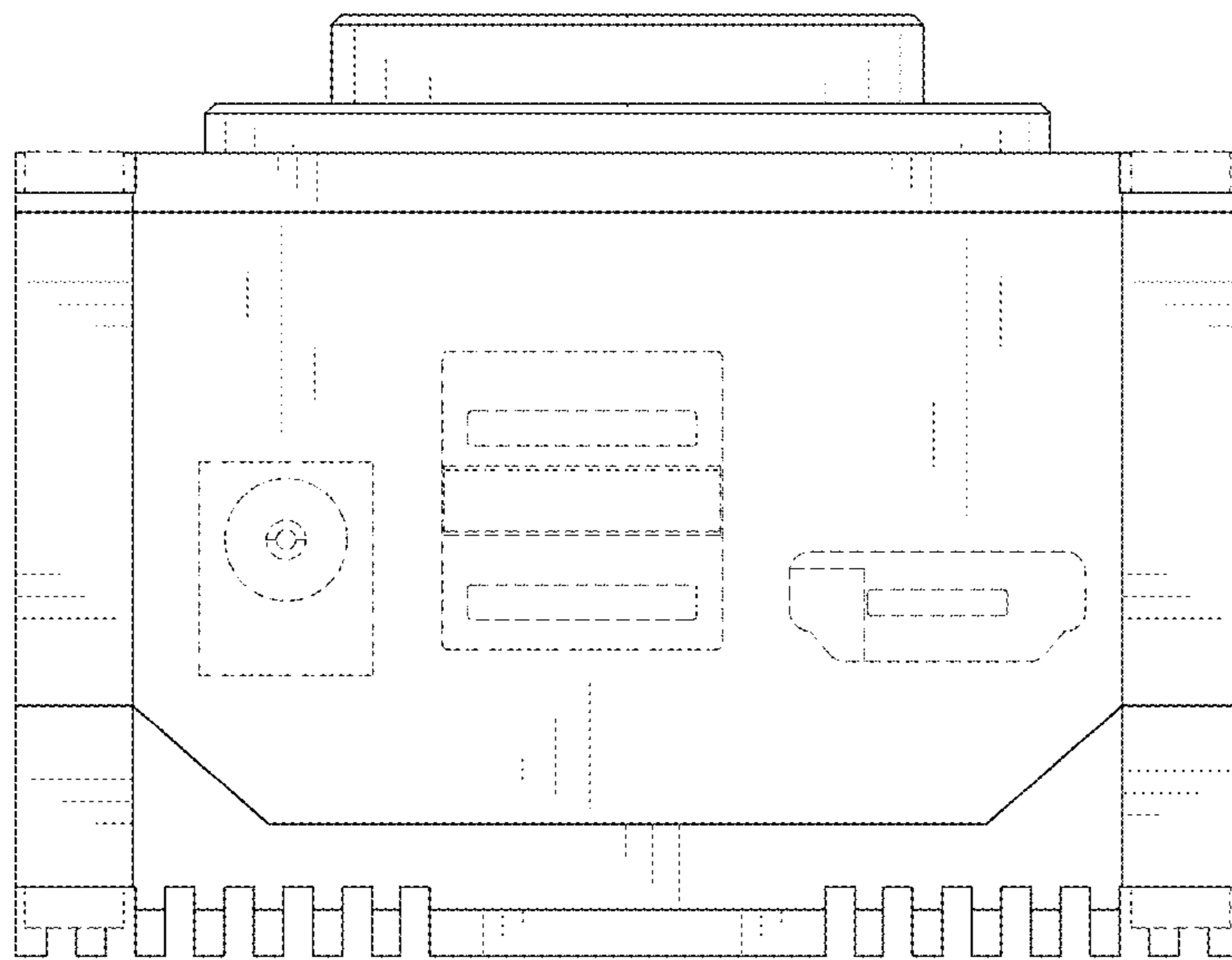


FIG. 5

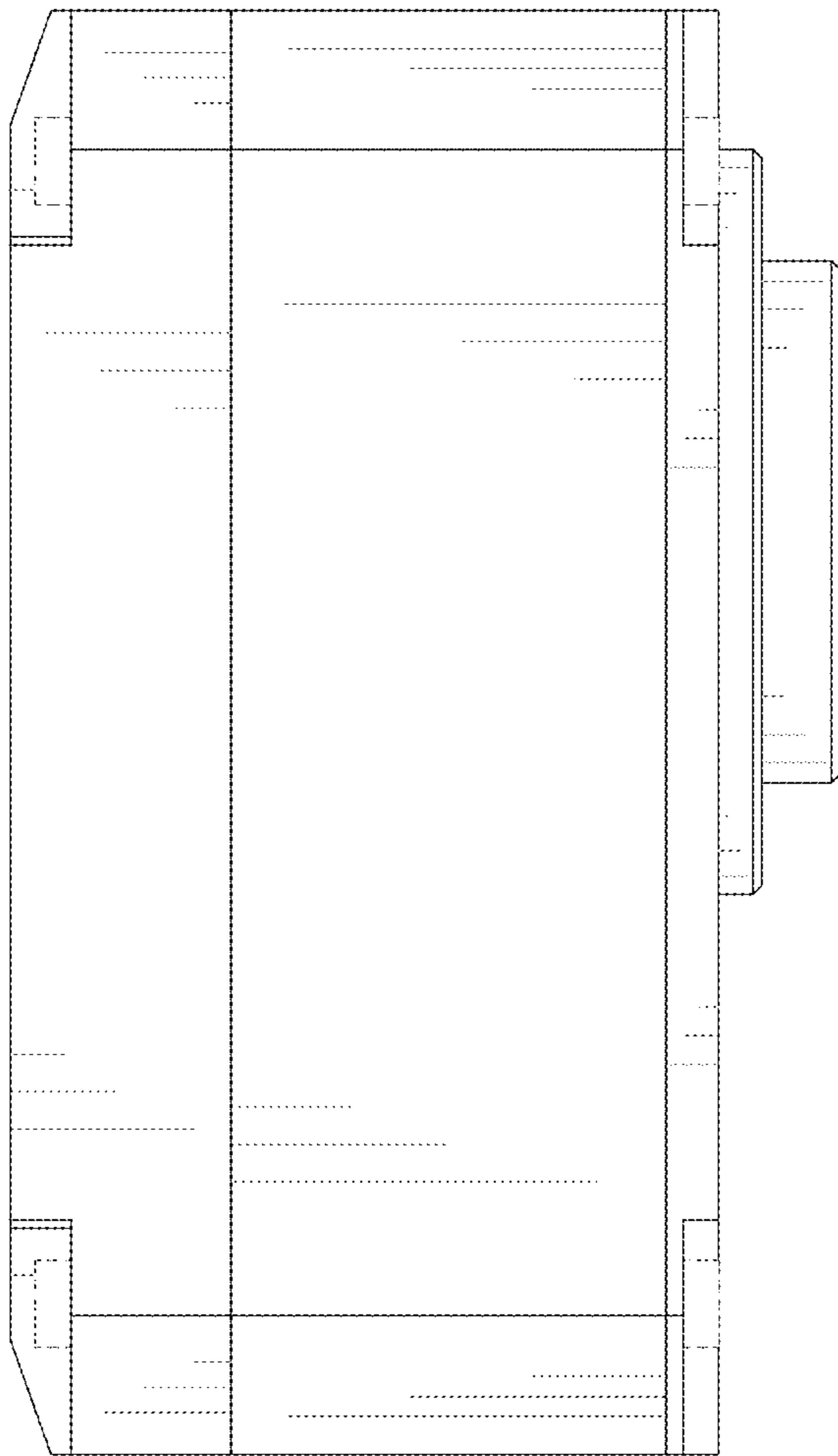


FIG. 7