

US00D966382S

(12) **United States Design Patent**
Chen et al.

(10) **Patent No.:** **US D966,382 S**
(45) **Date of Patent:** **** Oct. 11, 2022**

(54) **ROBOT**

(71) Applicants: **UBTECH NORTH AMERICA
RESEARCH AND DEVELOPMENT
CENTER CORP**, Pasadena, CA (US);
UBTECH ROBOTICS CORP LTD,
Shenzhen (CN)

(72) Inventors: **Shixun Chen**, Pasadena, CA (US);
Jianchi Xiong, Shenzhen (CN);
ChengKun Zhang, Temple City, CA
(US); **Huan Tan**, Pasadena, CA (US)

(73) Assignees: **UBTECH NORTH AMERICA
RESEARCH AND DEVELOPMENT
CENTER CORP**, Pasadena, CA (US);
UBTECH ROBOTICS CORP LTD,
Shenzhen (CN)

(**) Term: **15 Years**

(21) Appl. No.: **29/796,579**

(22) Filed: **Jun. 25, 2021**

(51) **LOC (13) Cl.** **15-99**

(52) **U.S. Cl.**
USPC **D15/199**

(58) **Field of Classification Search**
USPC D15/199; D21/578-583, 621, 622;
D32/21; D34/34
CPC B25J 5/007; B25J 11/00; B25J 11/008;
B62D 57/024; G06N 3/008; Y10S 901/01
See application file for complete search history.

(56) **References Cited**

U.S. PATENT DOCUMENTS

D712,447 S * 9/2014 He D15/199
D810,167 S * 2/2018 Yang D15/199
D810,800 S * 2/2018 Wang D15/199
D811,458 S * 2/2018 Wang D15/199

D813,285 S * 3/2018 Wei D15/199
D817,375 S * 5/2018 Deyle D15/199
D819,712 S * 6/2018 Gee D15/199
D822,736 S * 7/2018 Kato D15/199
D826,302 S * 8/2018 Tsukamoto D15/199
D829,250 S * 9/2018 Zilbershtein D15/199
D829,793 S * 10/2018 Wang D15/199
D841,067 S * 2/2019 Camporesi D15/199
D855,673 S * 8/2019 Sutherland D15/199
D859,485 S * 9/2019 Sutherland D15/199
D869,533 S * 12/2019 Kim A63H 11/00
D15/199

(Continued)

Primary Examiner — Patricia A Palasik

(57) **CLAIM**

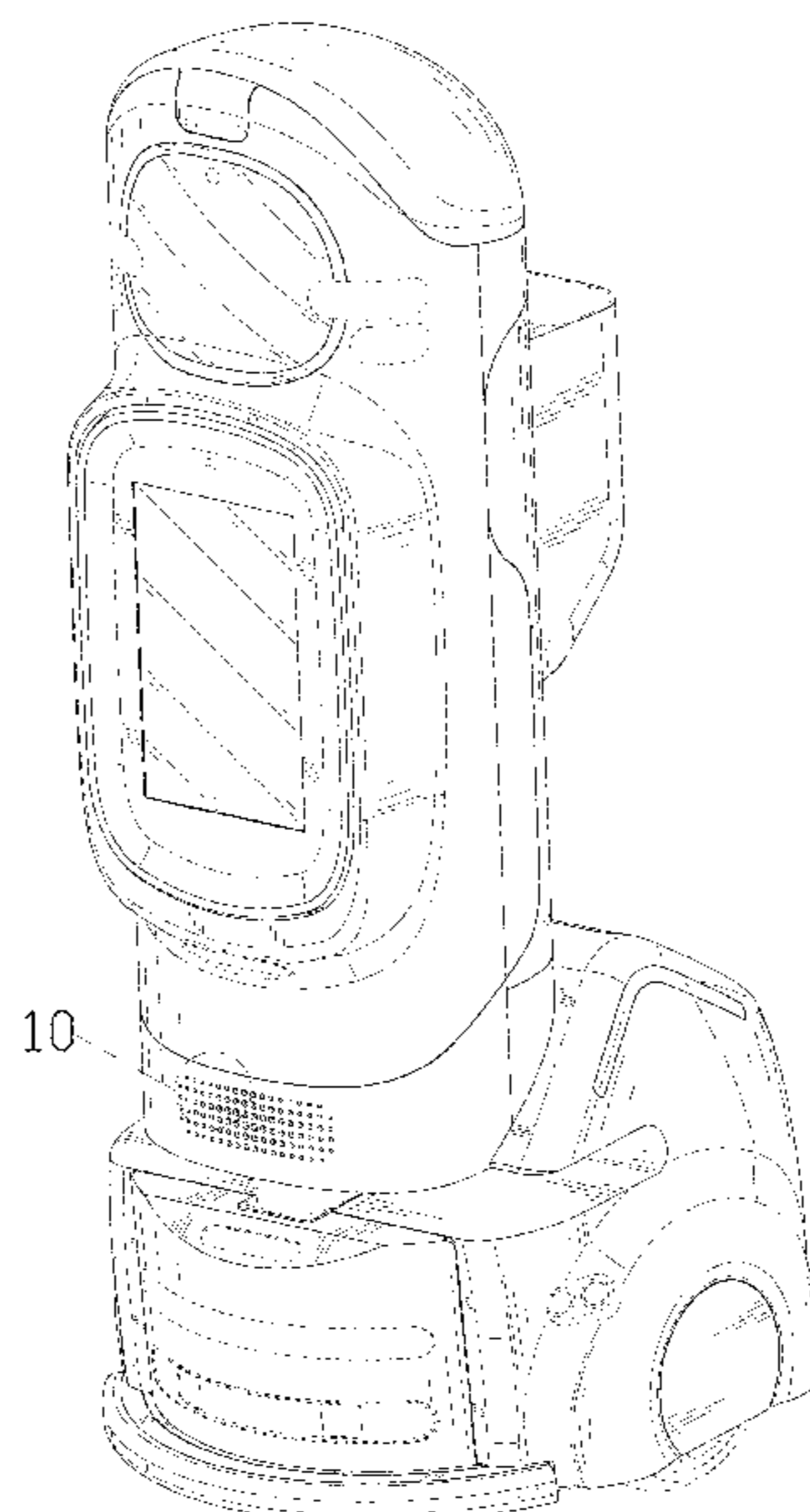
The ornamental design for a robot, a shown and described.

DESCRIPTION

FIG. 1 is a first perspective view of a robot showing the claimed design in accordance with the present disclosure; FIG. 2 is a second perspective view thereof; FIG. 3 is a front elevational view thereof; FIG. 4 is a rear elevational view thereof; FIG. 5 is a left side elevational view thereof; FIG. 6 is a right side elevational view thereof; FIG. 7 is a top plan view thereof; FIG. 8 is a bottom plan view thereof; FIG. 9 is a perspective view of the robot, wherein a screen of the robot is in a rotated position; FIG. 10 is an enlarged view of encircled portion 10 in FIG. 1; and, FIG. 11 is an enlarged view of encircled portion 11 in FIG. 2.

The broken lines in the Figures are for the purpose of illustrating portions of the article that form no part of the claimed design. The dash-broken lines encircling portions of the claimed design that are illustrated in enlargements form no part of the claimed design.

1 Claim, 11 Drawing Sheets



(56)

References Cited

U.S. PATENT DOCUMENTS

D870,788 S * 12/2019 Kim A63H 11/00
D15/199
D872,788 S * 1/2020 Sutherland D15/199
D879,174 S * 3/2020 Kammermeier D15/199
D884,764 S * 5/2020 Mori D15/199
D888,790 S * 6/2020 Yao D15/199
D888,791 S * 6/2020 Wu D15/199
D893,570 S * 8/2020 Zheng D15/199
D894,983 S * 9/2020 Okada D15/199
D894,987 S * 9/2020 Li D15/199
D895,709 S * 9/2020 Okada D15/199
D908,151 S * 1/2021 Song D15/199
D912,115 S * 3/2021 Rembisz D15/199
D919,687 S * 5/2021 Song D15/199
D920,410 S * 5/2021 Chen D15/199
D920,411 S * 5/2021 Zheng D15/199
D921,080 S * 6/2021 Chen D15/199
D921,082 S * 6/2021 Hernandez D15/199
D921,083 S * 6/2021 Hernandez D15/199
D931,921 S * 9/2021 Haddadin D15/199
D934,932 S * 11/2021 Han D15/199
D934,933 S * 11/2021 Cho D15/199
D934,934 S * 11/2021 Park D15/199
D937,920 S * 12/2021 Gidwell D15/199
D947,915 S * 4/2022 Li D15/199
2011/0135189 A1 * 6/2011 Lee G05D 1/0295
901/1
2014/0074287 A1 * 3/2014 LaFary G05B 19/4061
700/253
2015/0073589 A1 * 3/2015 Khodl B65G 1/1375
700/218
2017/0337506 A1 * 11/2017 Wise B65G 67/04

* cited by examiner

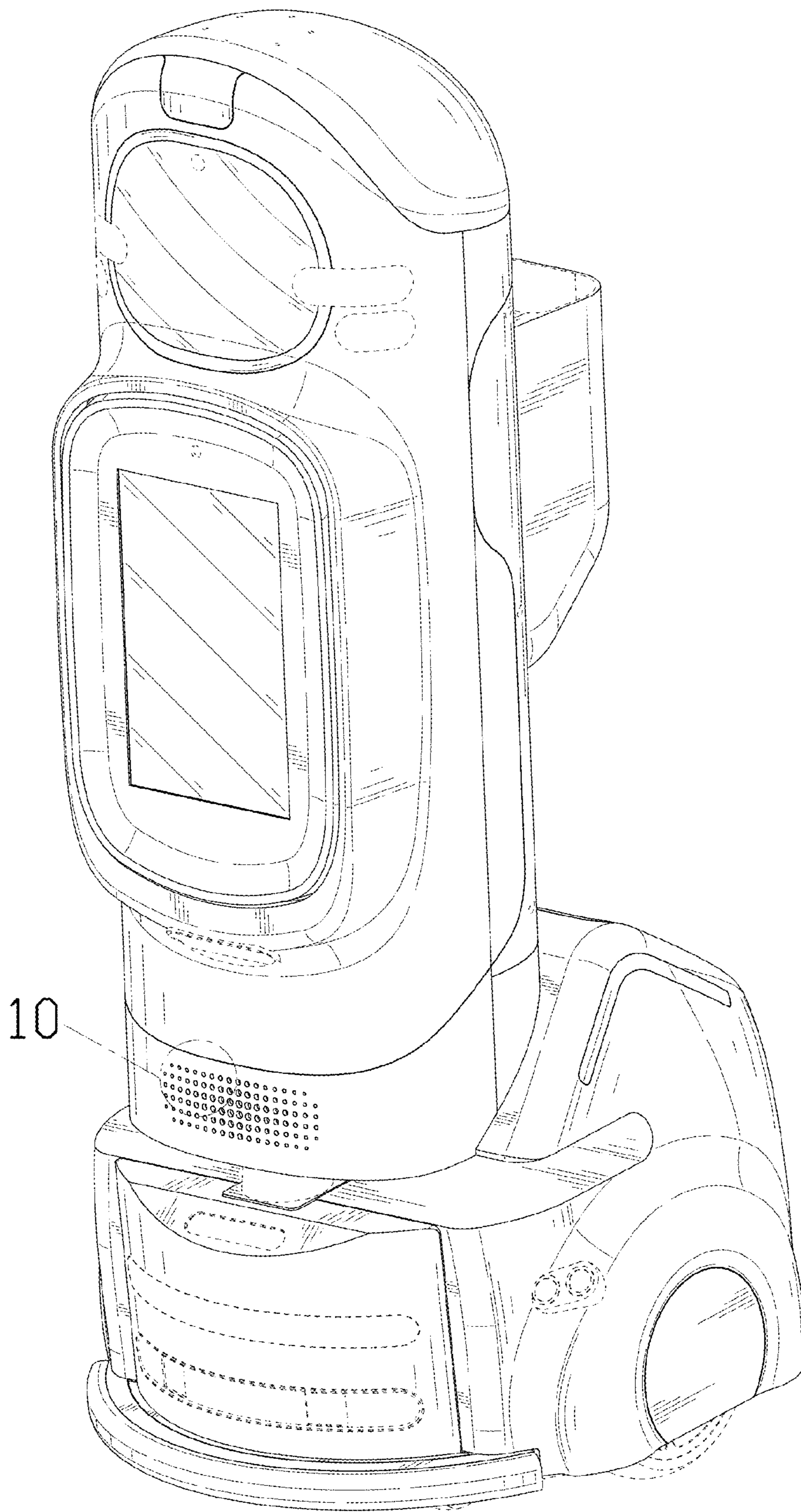


FIG. 1

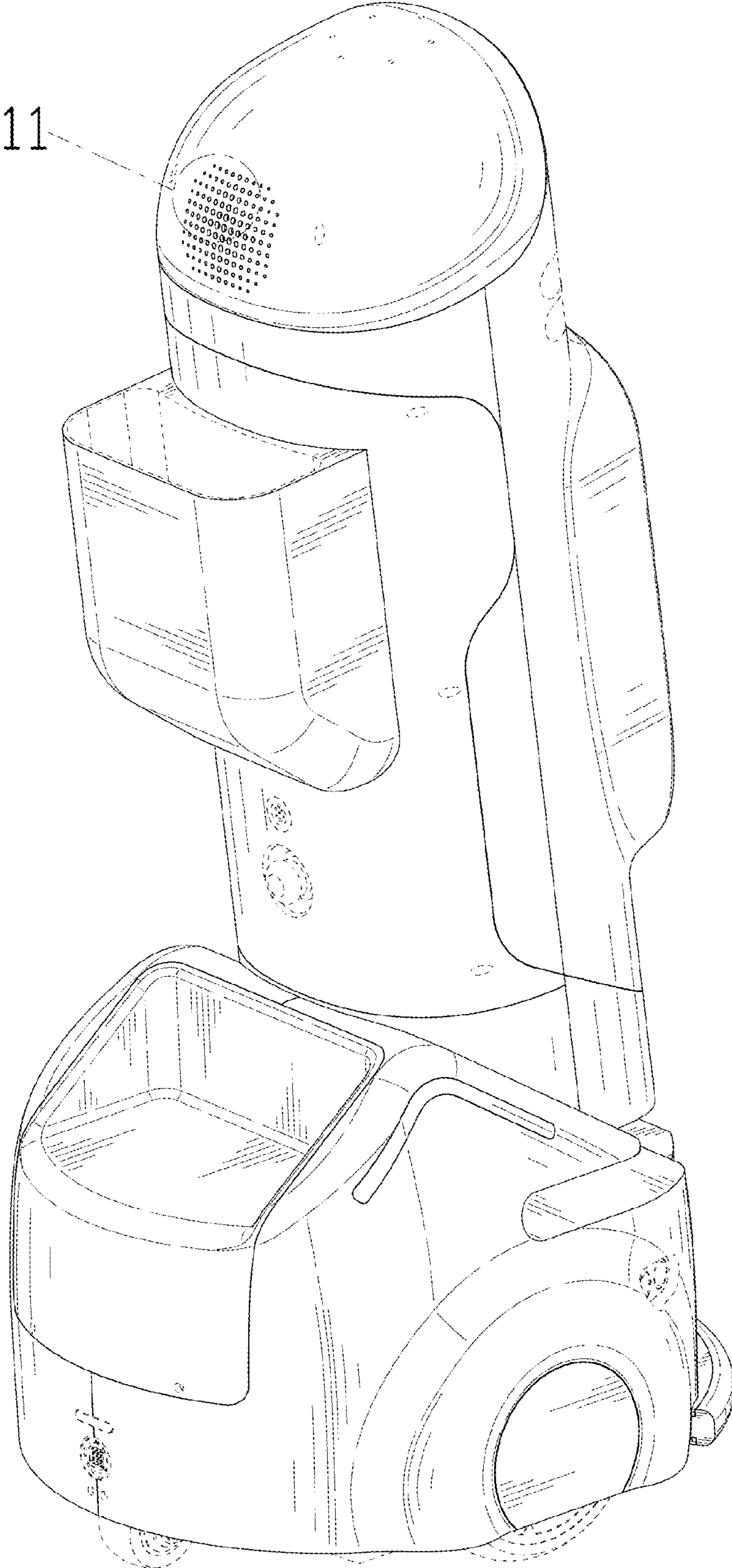


FIG. 2

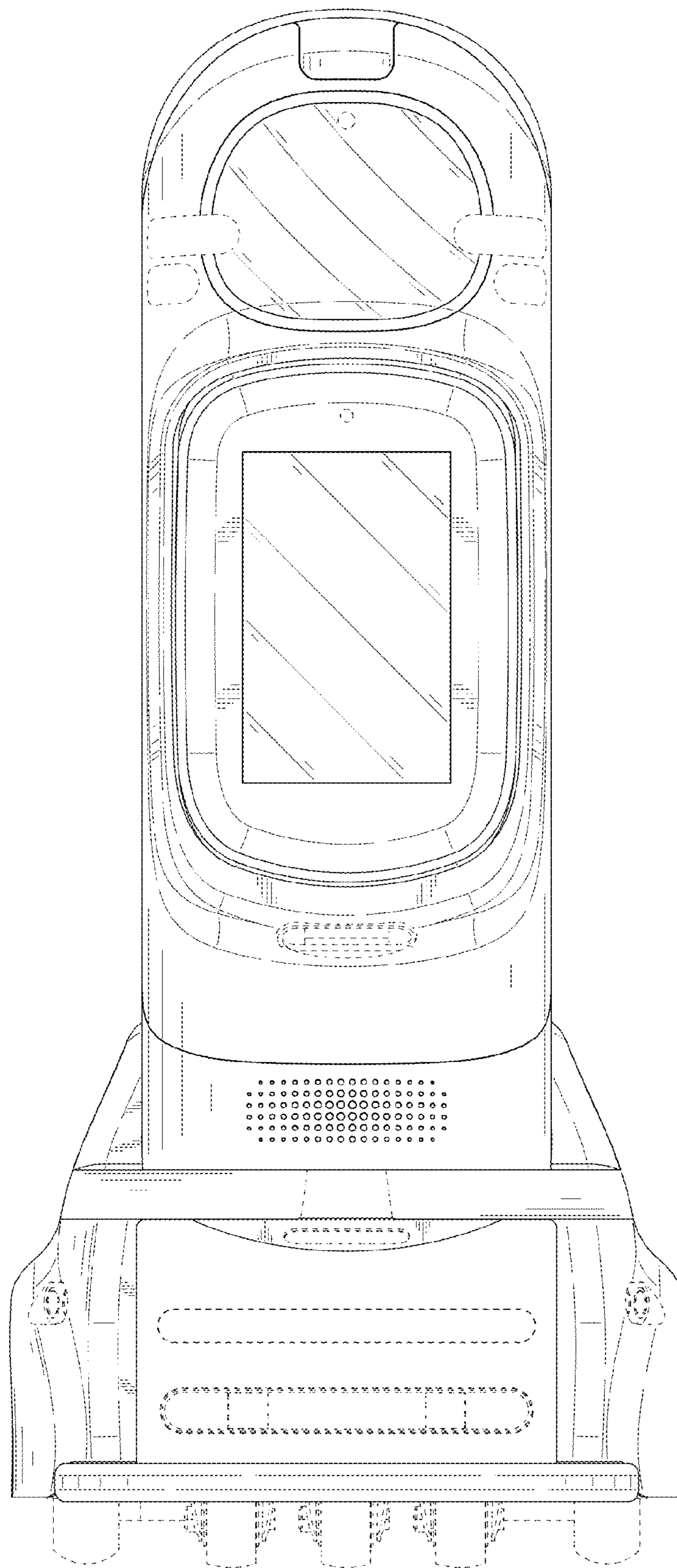


FIG. 3

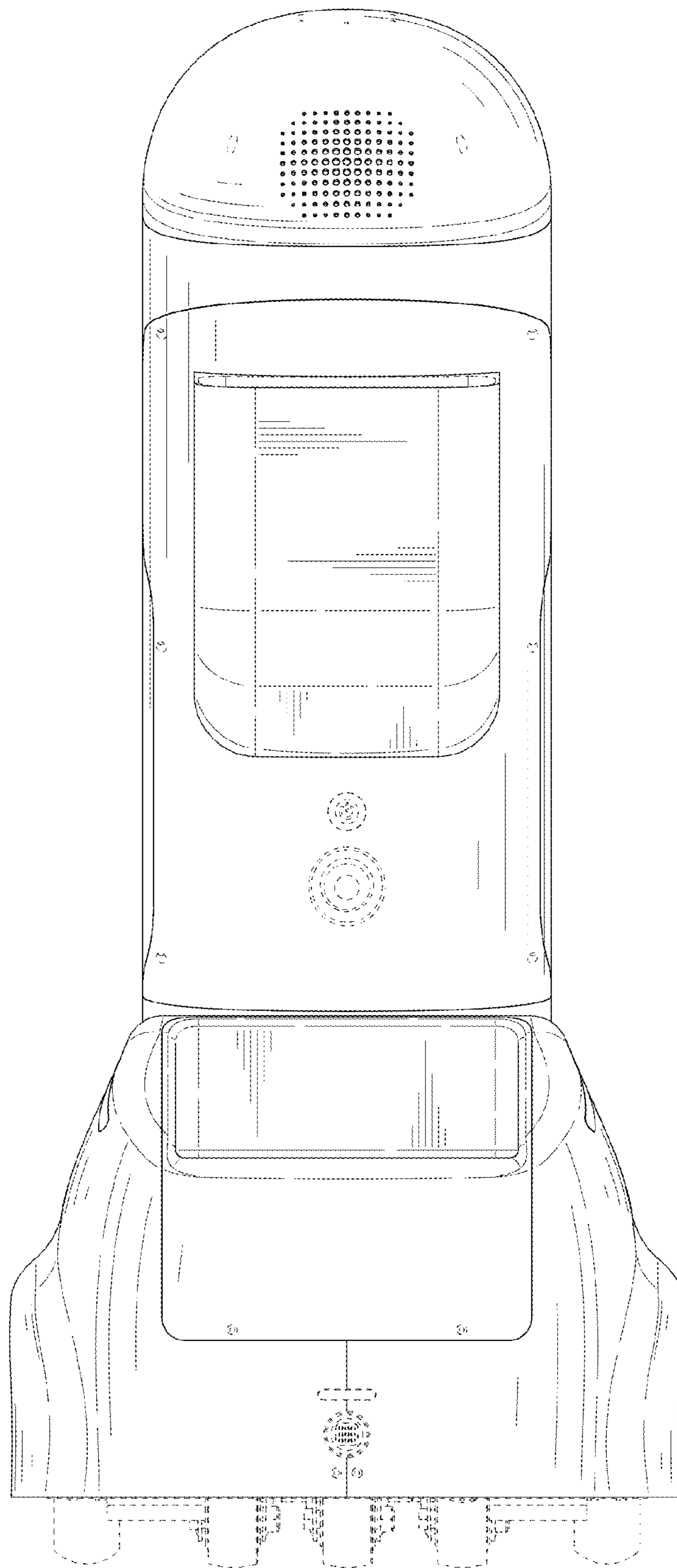


FIG. 4

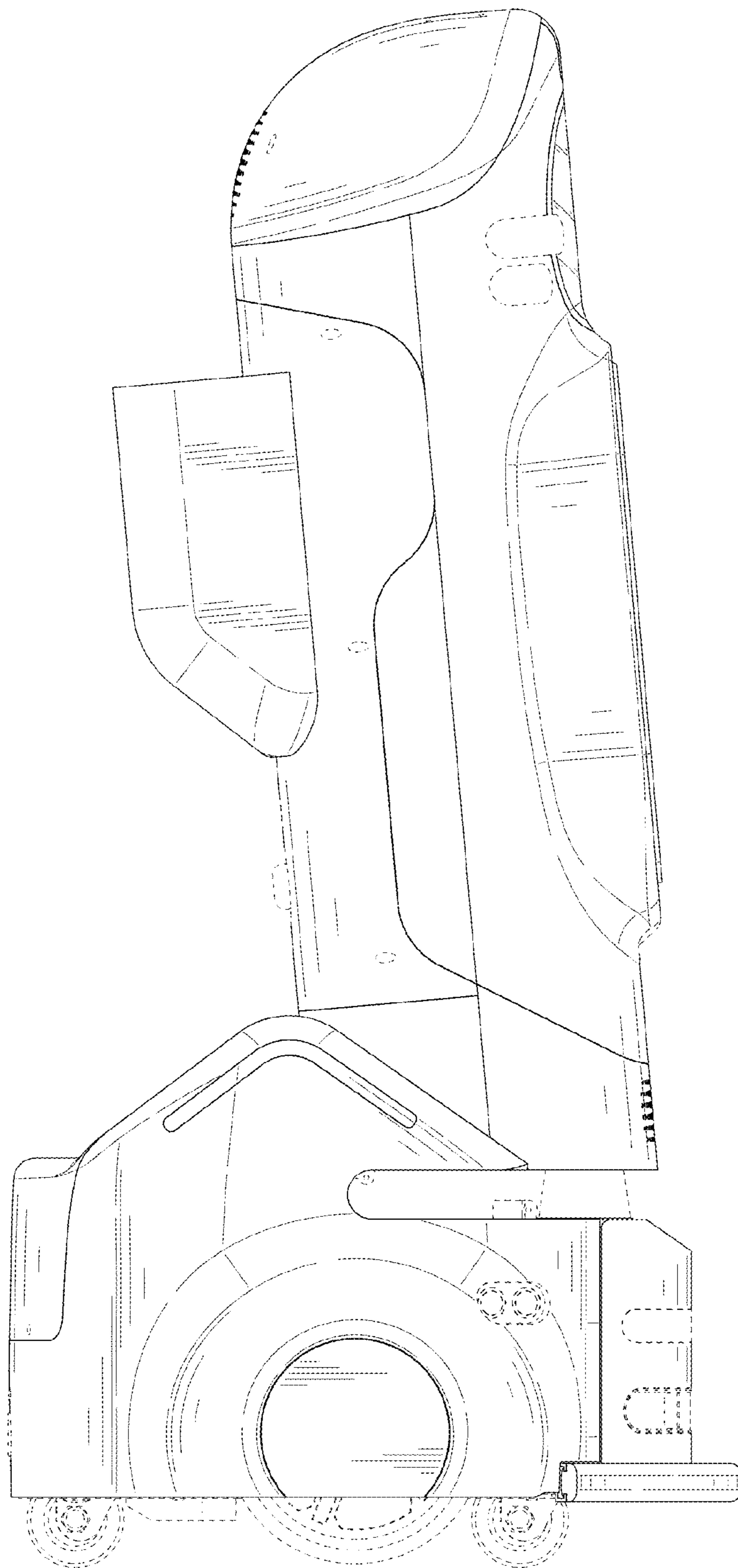


FIG. 5

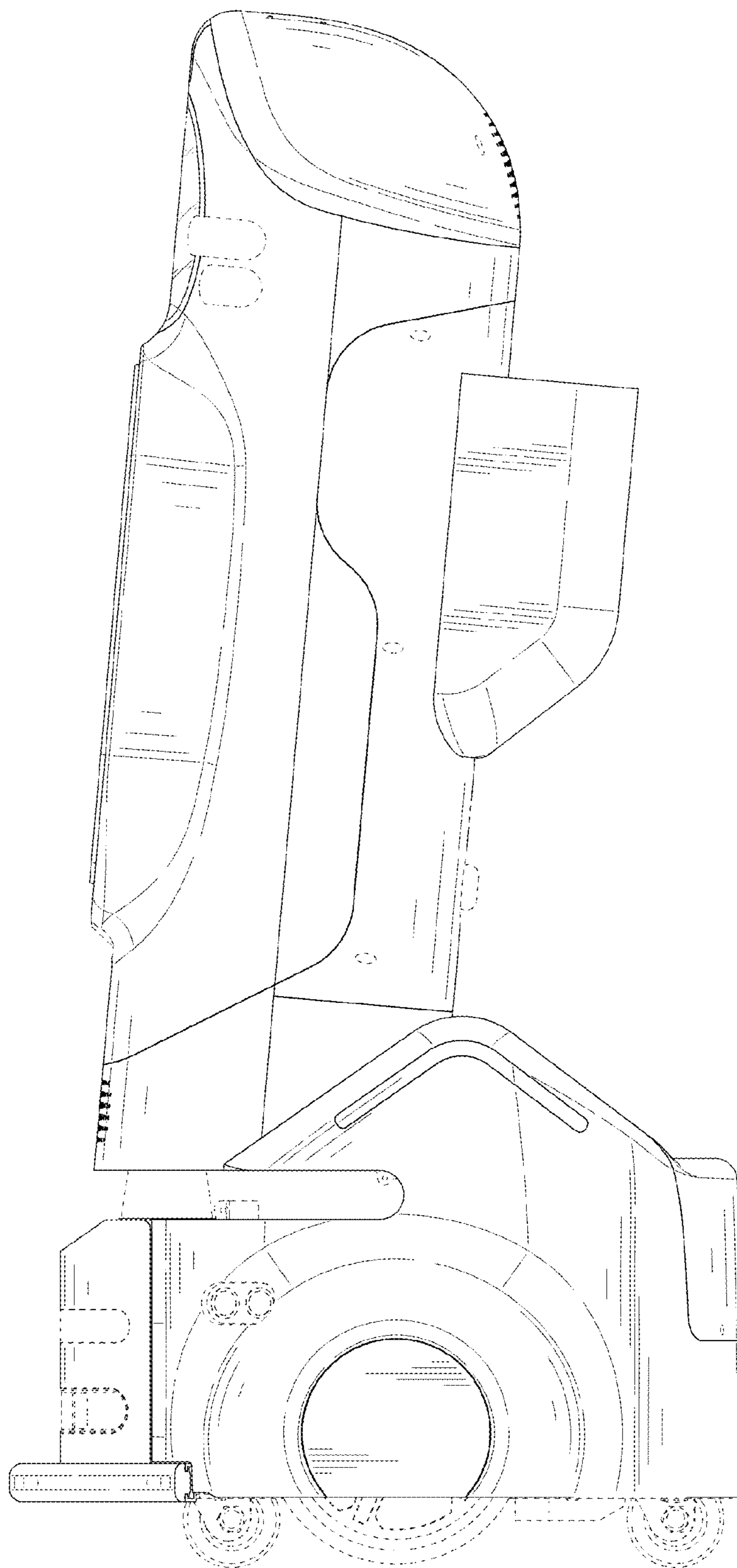


FIG. 6

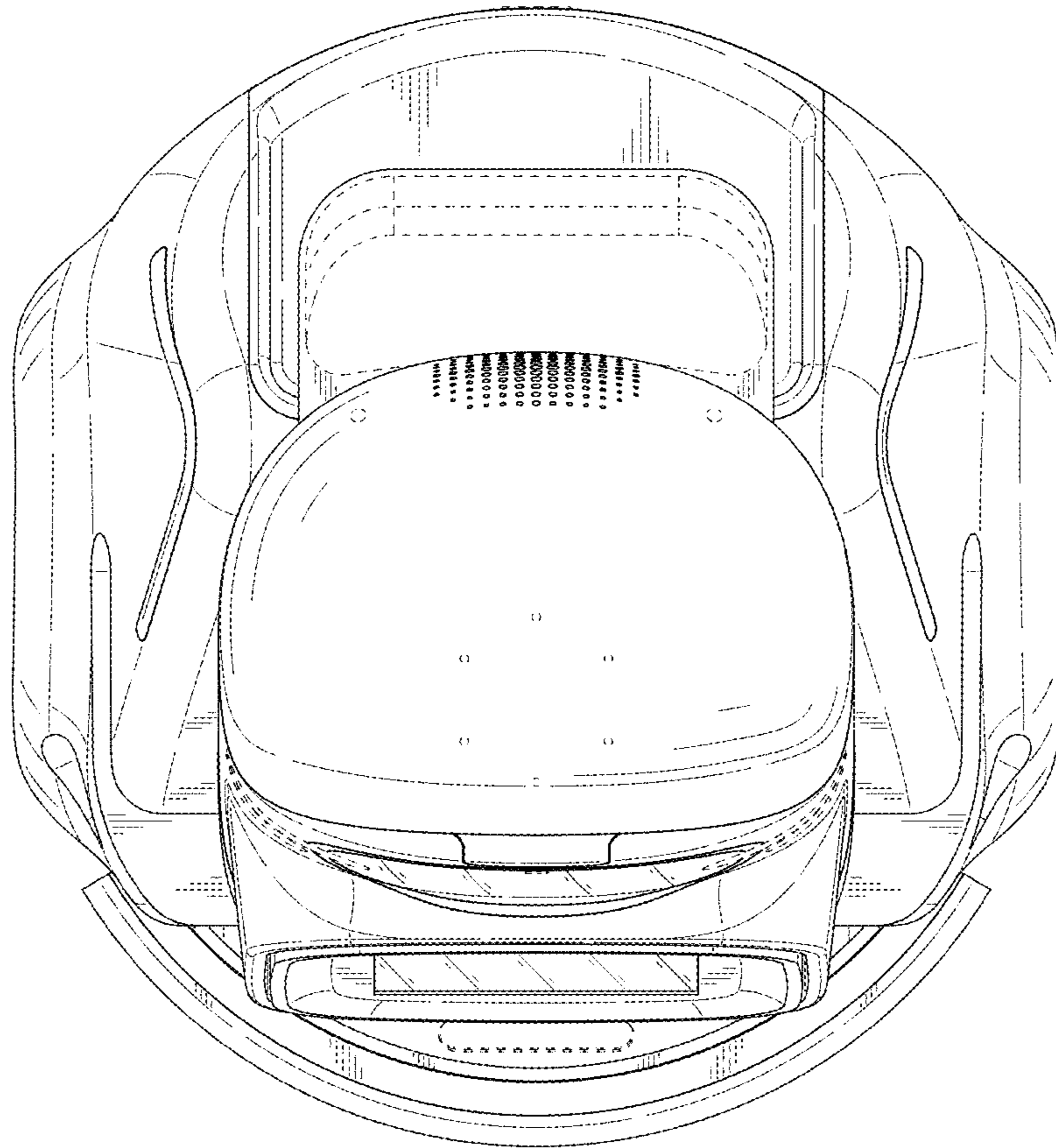


FIG. 7

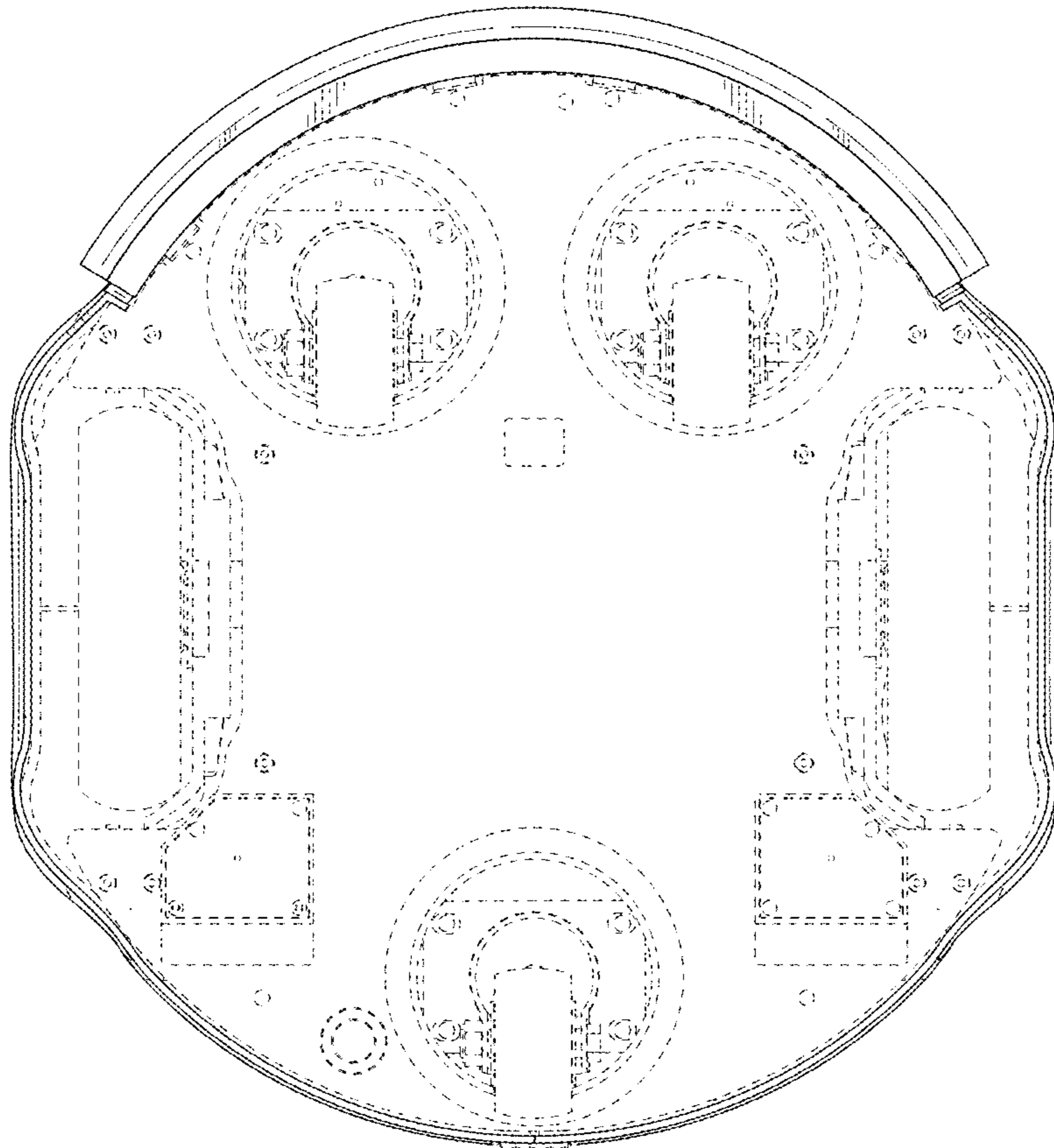


FIG. 8

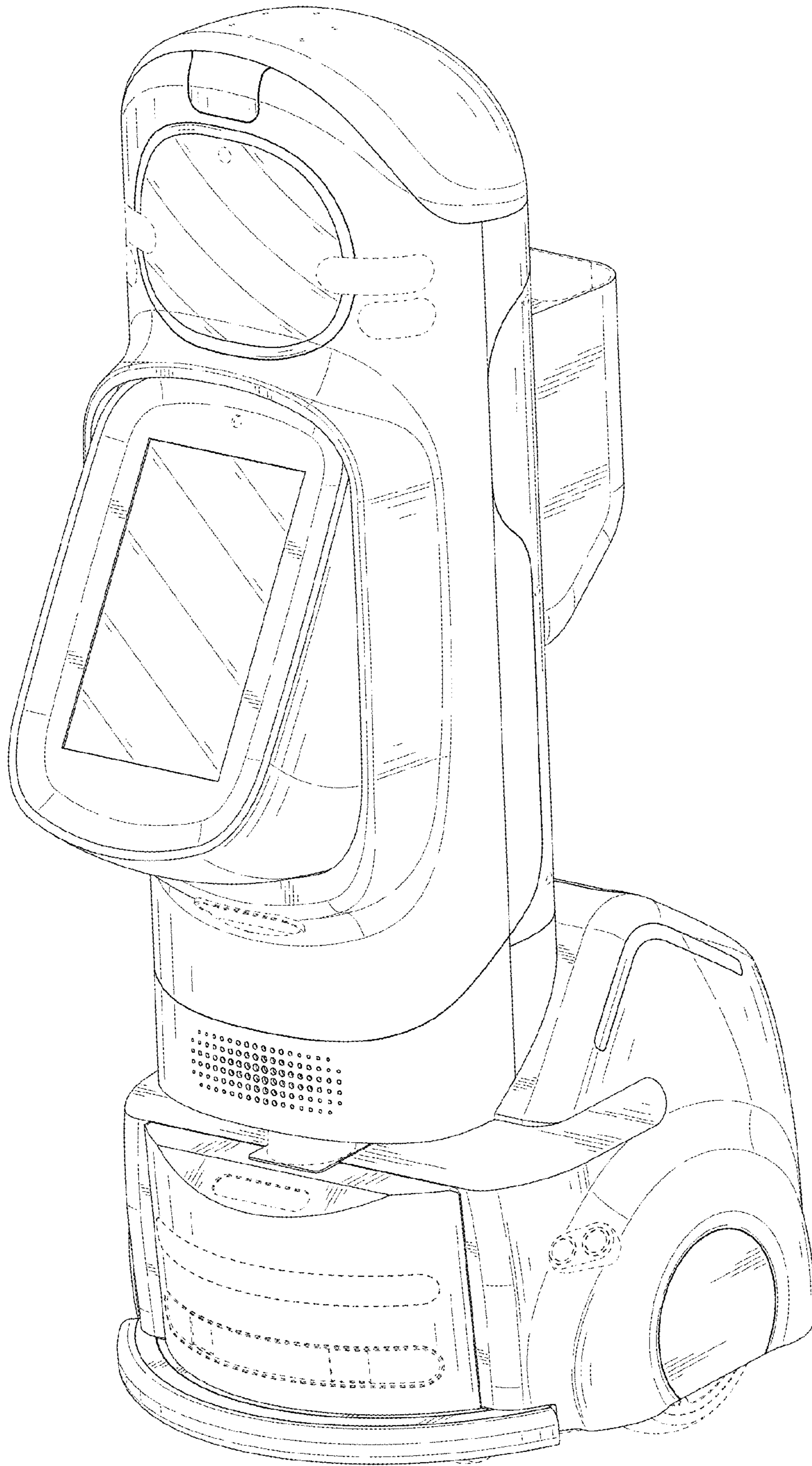


FIG. 9

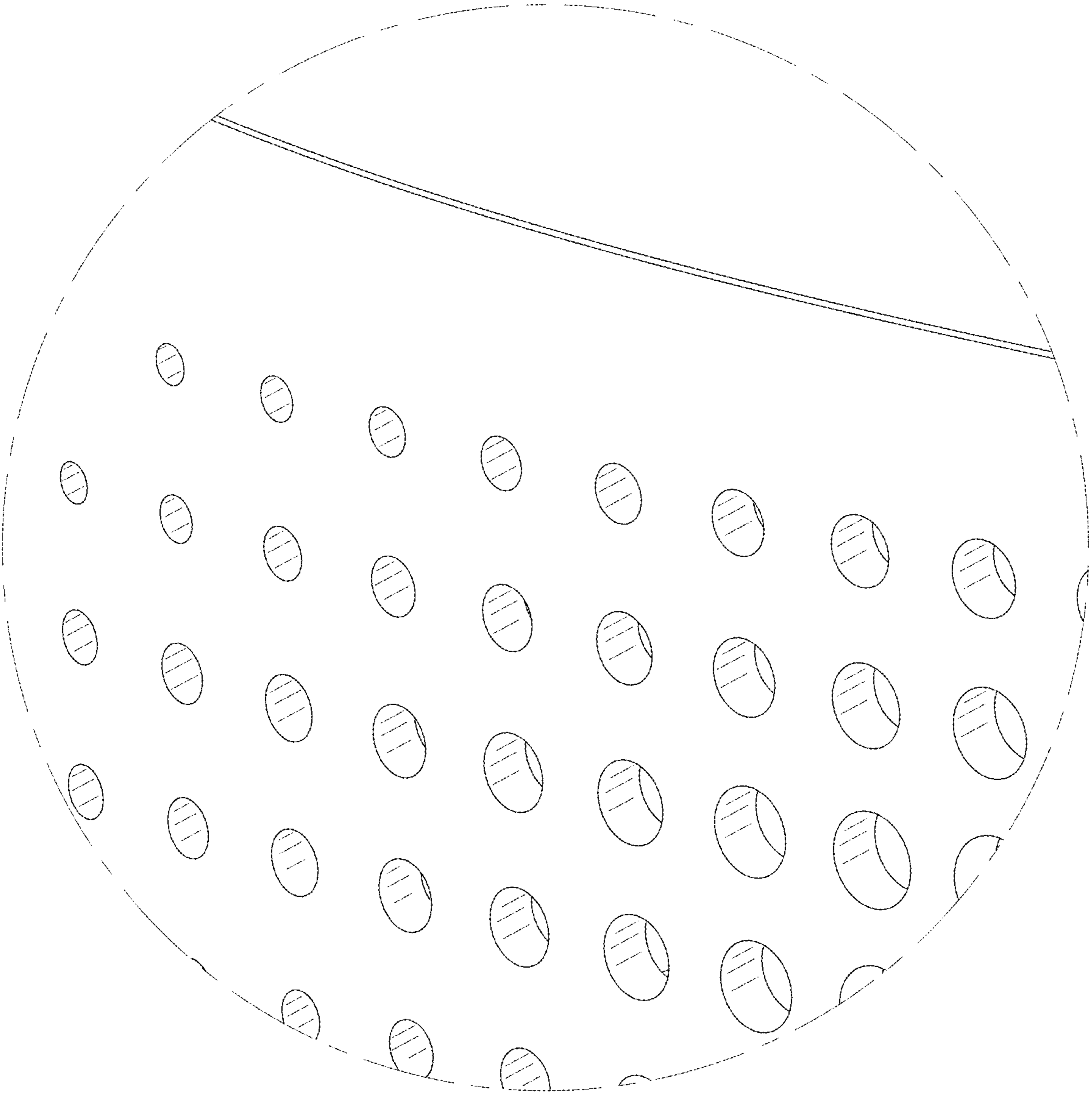


FIG. 10

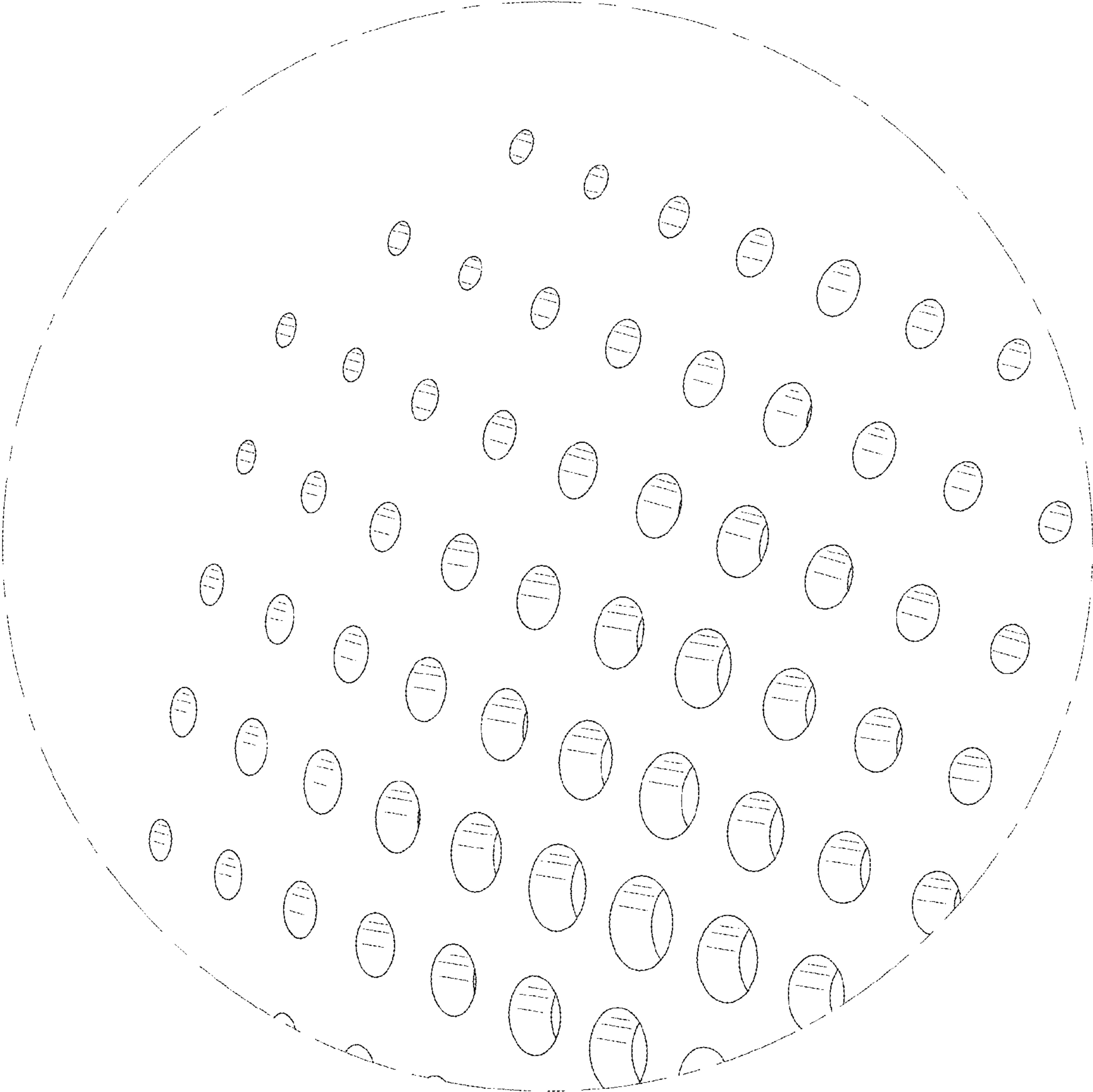


FIG. 11