



US00D966380S

(12) **United States Design Patent**
Fang

(10) **Patent No.:** **US D966,380 S**

(45) **Date of Patent:** **** Oct. 11, 2022**

(54) **SHOWER ROBOT**

(71) Applicant: **Zhicheng Fang**, Shantou (CN)

(72) Inventor: **Zhicheng Fang**, Shantou (CN)

(**) Term: **15 Years**

(21) Appl. No.: **29/766,680**

(22) Filed: **Jan. 18, 2021**

(51) **LOC (13) Cl.** **15-99**

(52) **U.S. Cl.**
USPC **D15/199; D21/578**

(58) **Field of Classification Search**
USPC D15/199; D21/578-583, 593, 594, 621,
D21/622; D23/213, 215, 222, 223, 228,
D23/304

CPC A63H 11/00; A63H 3/46; B25J 9/12
See application file for complete search history.

(56) **References Cited**

U.S. PATENT DOCUMENTS

D171,460 S *	2/1954	Reitzer	D21/594
D237,204 S *	10/1975	Speers	D21/594
D294,843 S *	3/1988	Lund	D21/594
D445,151 S *	7/2001	Chu	D19/141
D474,514 S *	5/2003	Price	D21/594
D496,076 S *	9/2004	Klaus	D21/594
D561,211 S	2/2008	Mitchell	
D561,215 S	2/2008	Mitchell	
D566,793 S	4/2008	Mitchell	
D573,688 S *	7/2008	Pedersen	D23/213
D737,383 S *	8/2015	Hochstrasser	D21/621

D749,175 S *	2/2016	Vaughey	D21/484
D844,039 S *	3/2019	Yoon	D15/199
D878,489 S *	3/2020	Greaves	D21/578
D879,853 S *	3/2020	Baba	D15/199
D882,655 S *	4/2020	Kouthoofd	D15/199
D882,658 S *	4/2020	Kawaguchi	D15/199
D882,659 S *	4/2020	Kawaguchi	D15/199
D923,109 S *	6/2021	Fang	D21/473

* cited by examiner

Primary Examiner — Michael C Stout
Assistant Examiner — Fitzgerald L Butac

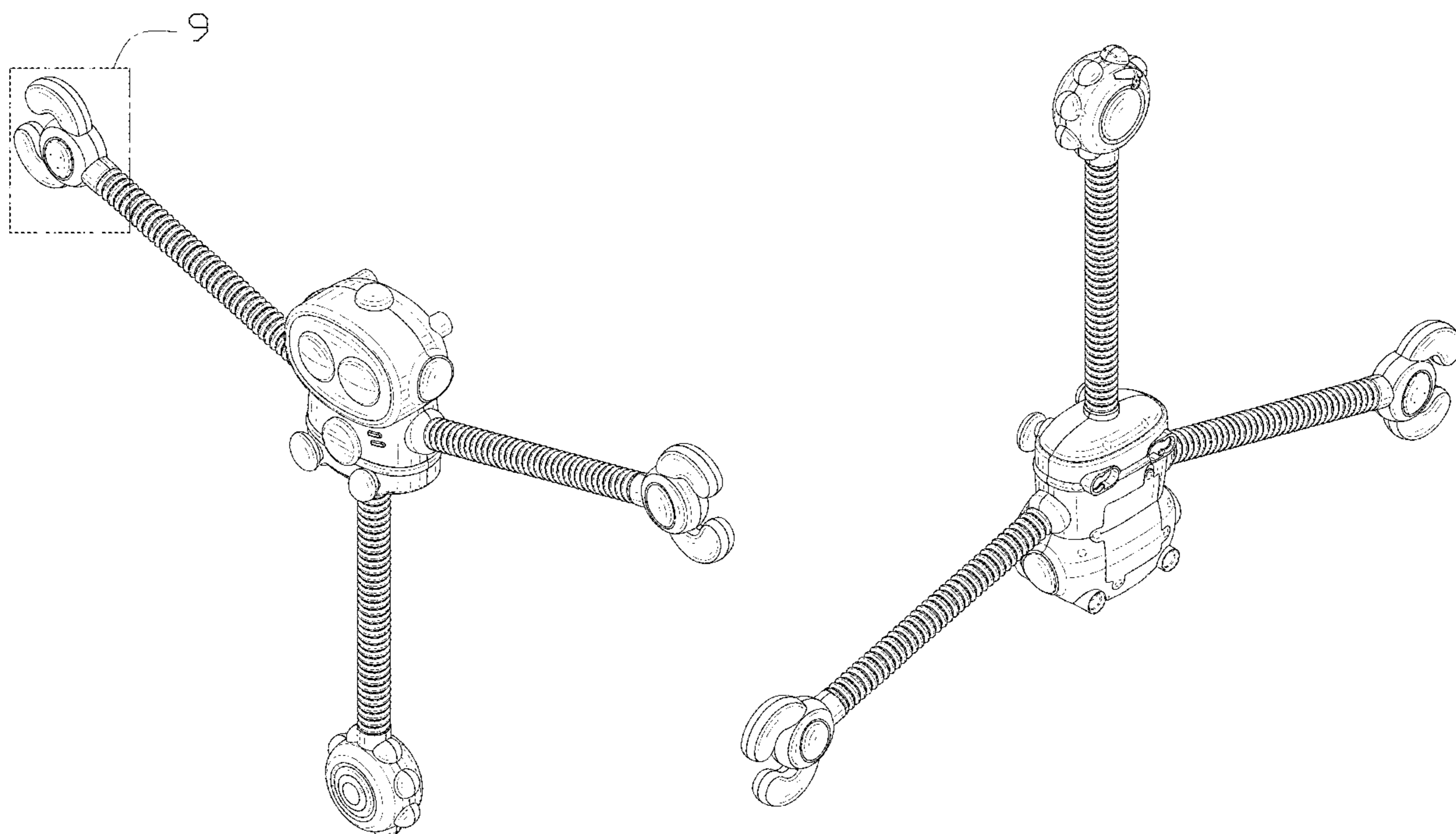
(57) **CLAIM**

The ornamental design for a shower robot, as shown and described.

DESCRIPTION

FIG. 1 is a first perspective view of a shower robot showing my new design;
FIG. 2 is a second perspective view thereof;
FIG. 3 is a front view thereof;
FIG. 4 is a back view thereof;
FIG. 5 is a left side view thereof;
FIG. 6 is a right side view thereof;
FIG. 7 is a top view thereof;
FIG. 8 is a bottom view thereof; and,
FIG. 9 is an enlarged view of the selected portion in FIG. 1.
The broken lines shown in the drawings depict portions of the shower robot in which the design is embodied that form no part of the claimed design.

1 Claim, 9 Drawing Sheets



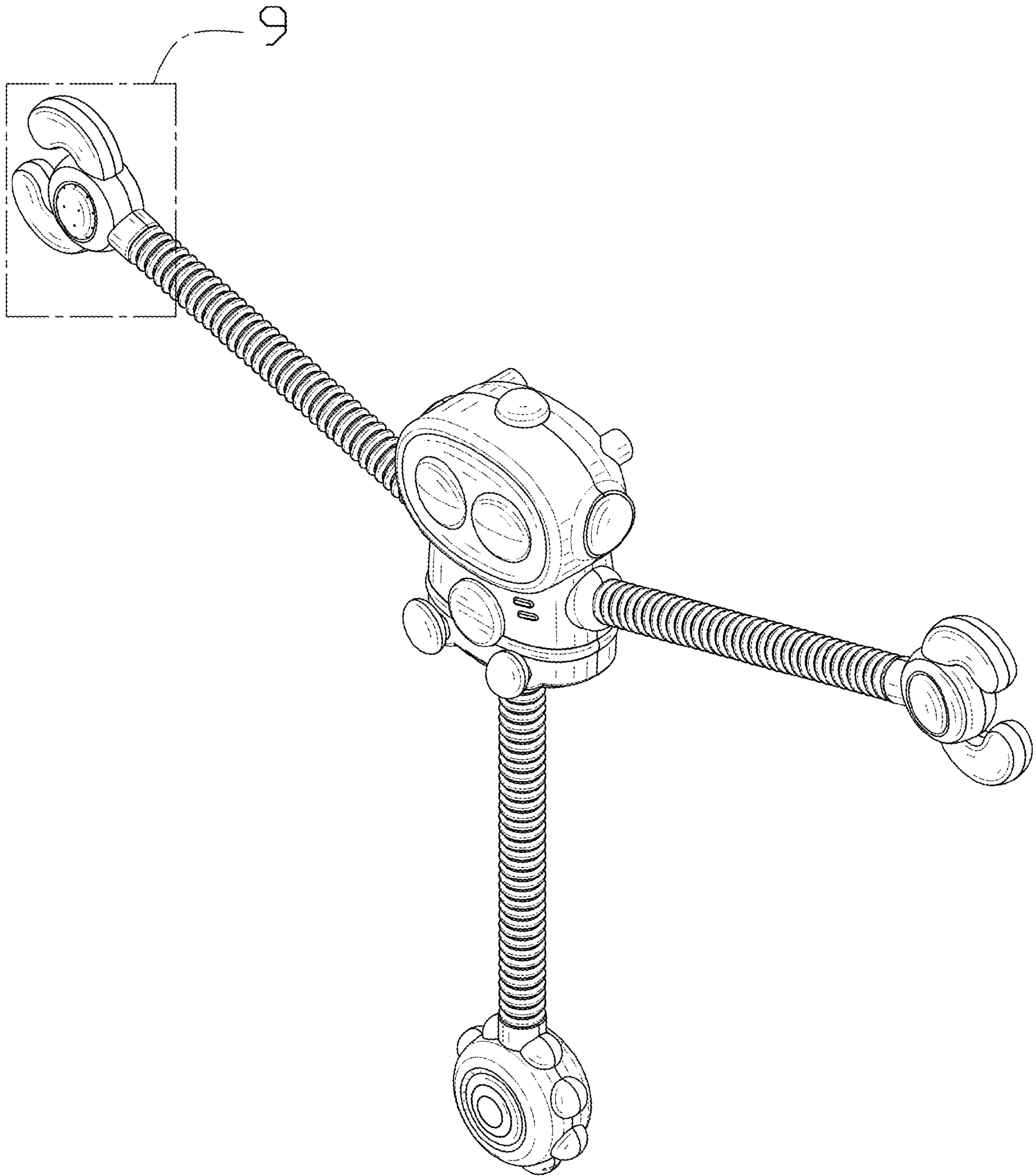


FIG. 1

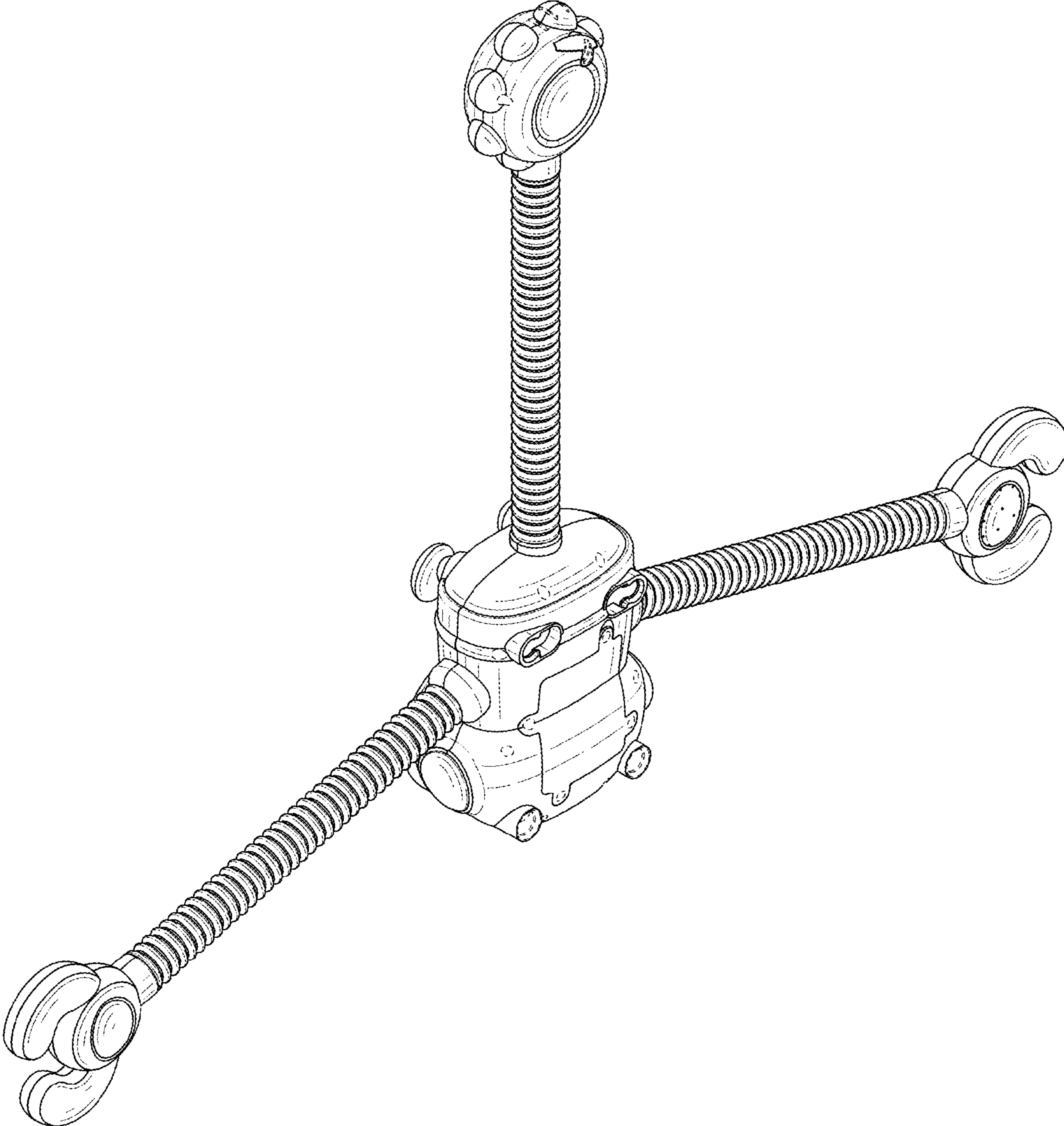


FIG. 2

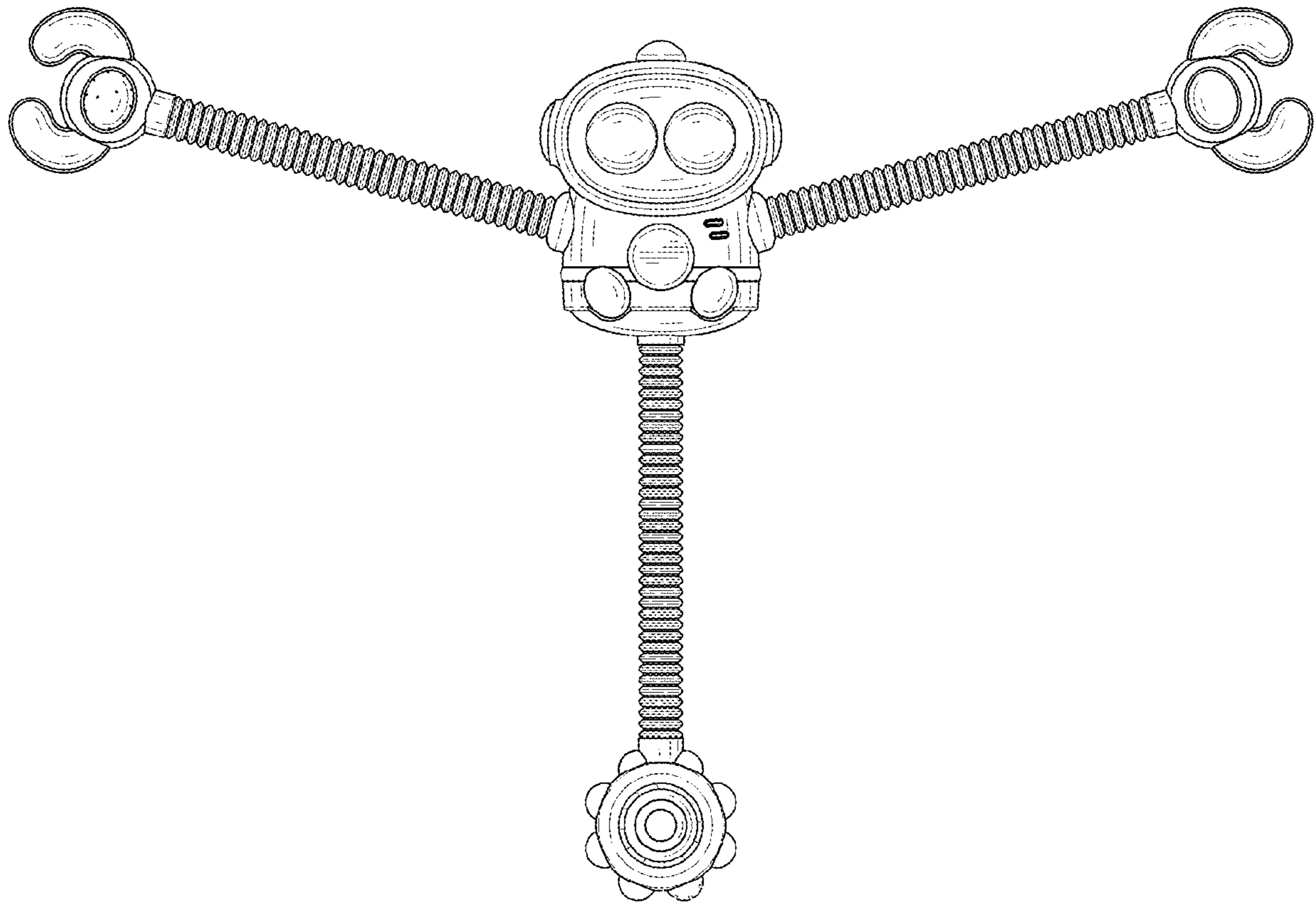


FIG. 3

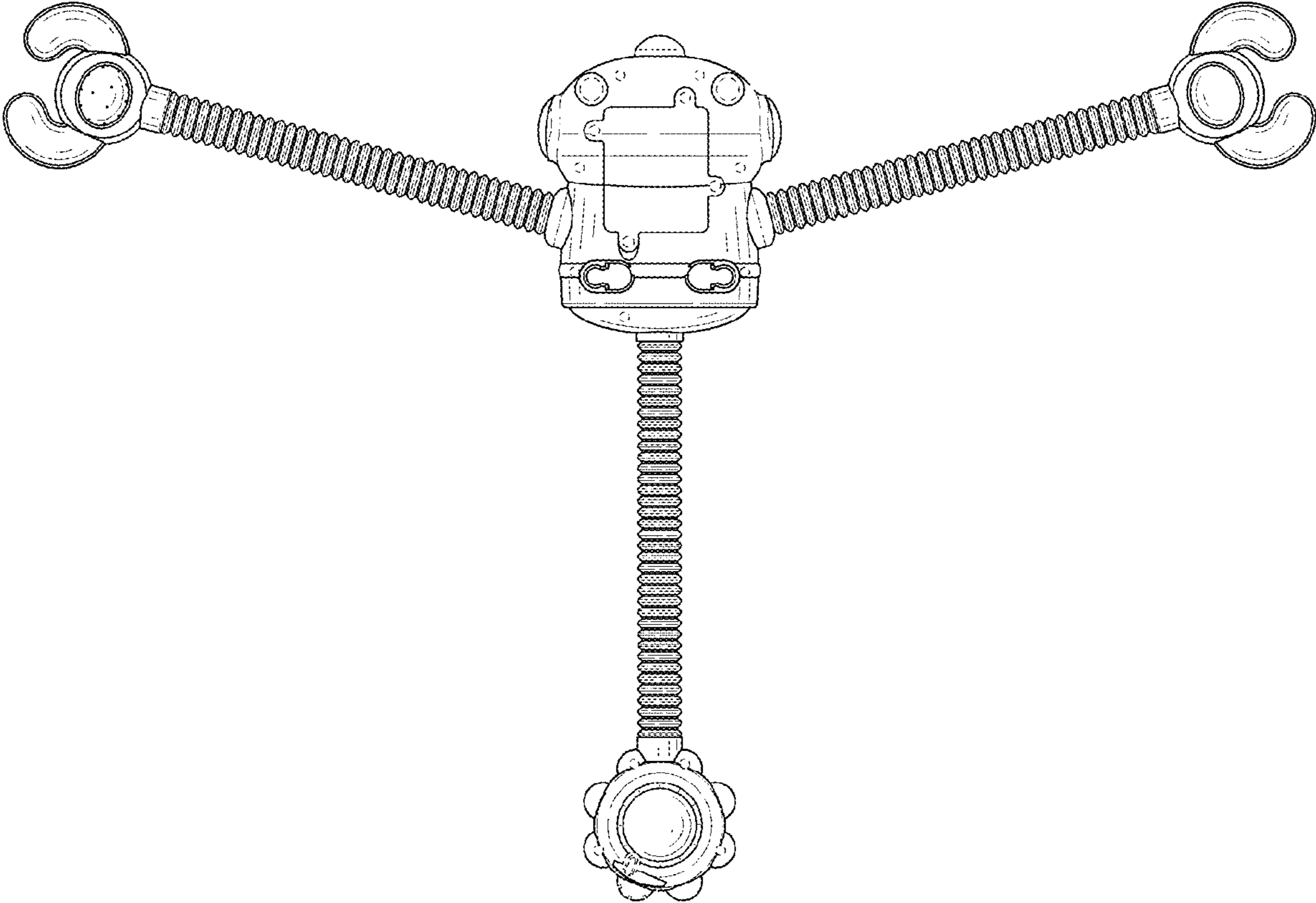


FIG. 4

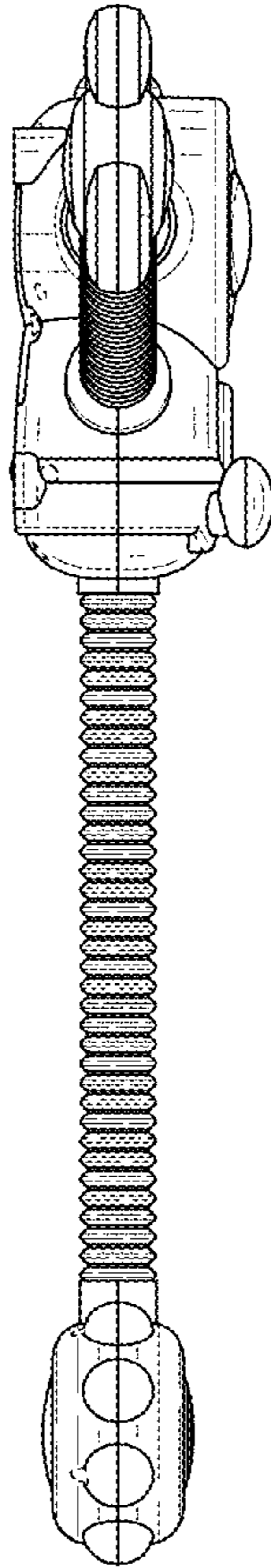


FIG. 5

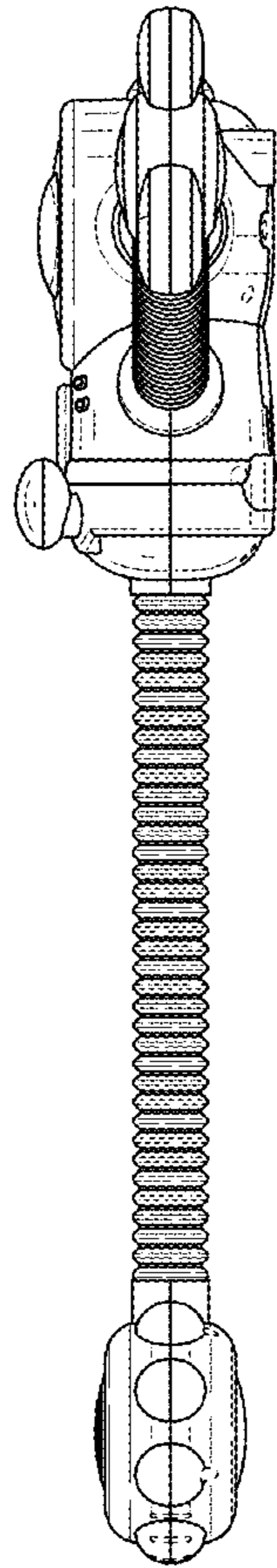


FIG. 6

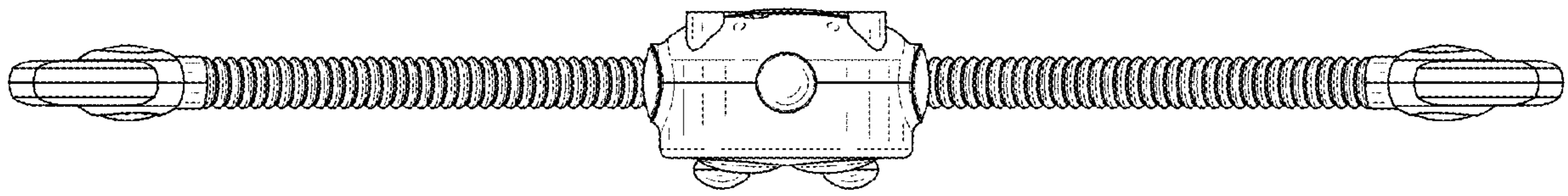


FIG. 7

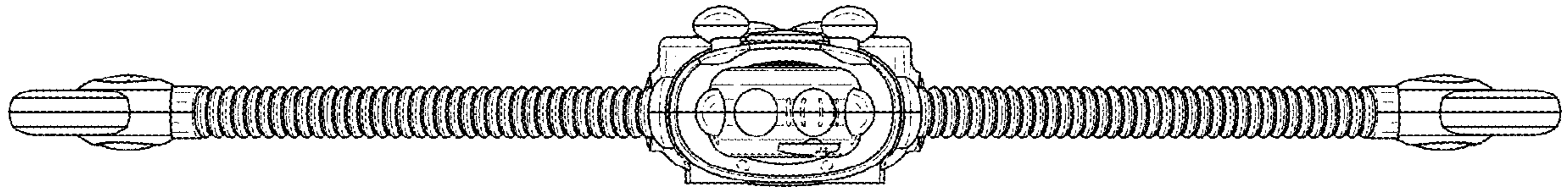


FIG. 8

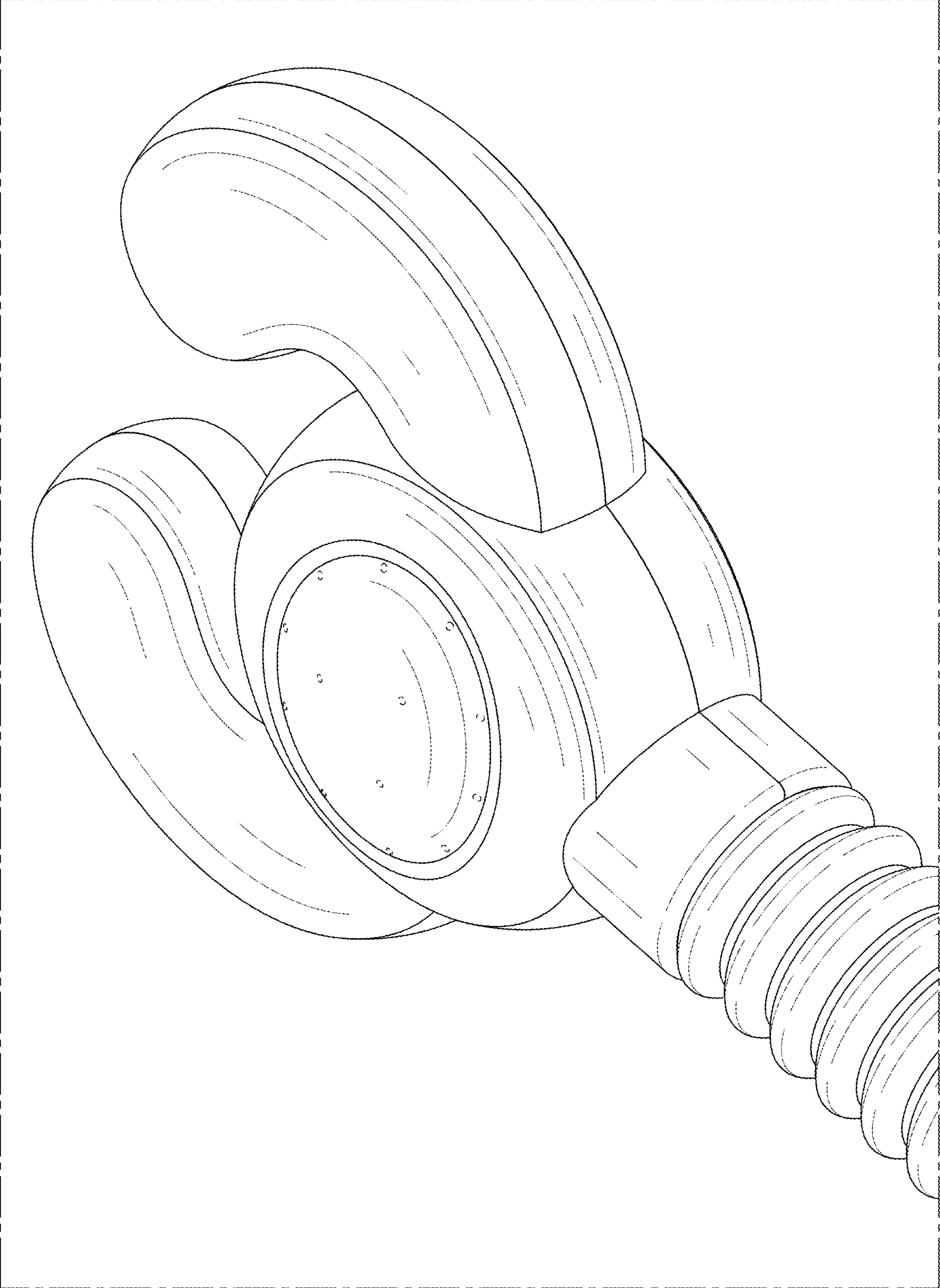


FIG. 9