

US00D966379S

(12) **United States Design Patent**  
**Arniotes et al.**

(10) **Patent No.:** **US D966,379 S**

(45) **Date of Patent:** **\*\* Oct. 11, 2022**

(54) **SITUATIONAL AWARENESS ROBOT**

(71) Applicant: **CO6, Inc.**, Boulder, CO (US)

(72) Inventors: **Damon Arniotes**, Lafayette, CO (US);  
**Paul Berberian**, Boulder, CO (US);  
**Ross MacGregor**, Erie, CO (US)

(73) Assignee: **C06, Inc.**, Boulder, CO (US)

(\*\*) Term: **15 Years**

(21) Appl. No.: **29/758,625**

(22) Filed: **Nov. 17, 2020**

(51) **LOC (13) Cl.** ..... **15-99**

(52) **U.S. Cl.**

USPC ..... **D15/199**; D21/533; D21/578

(58) **Field of Classification Search**

USPC ..... D8/14, 16, 19, 21, 82-86, 107, 34, 300,  
D8/303, 314, 372, 374, 394; D15/126,  
D15/138, 145, 199; D24/133, 143, 146,  
D24/134, 137, 138, 142, 200;  
D12/128-133; D21/360-362, 364, 354,  
D21/398, 383, 399, 414, 578, 533

CPC ..... A61B 1/00087; A61B 1/00147; A61B  
1/00193; A61B 1/041; A61B 5/6882

See application file for complete search history.

(56) **References Cited**

**U.S. PATENT DOCUMENTS**

D562,916 S *	2/2008	Laurienzo	.....	D21/533
D566,788 S *	4/2008	Pasko	.....	D21/533
D614,251 S *	4/2010	Chung	.....	D21/578
D620,538 S *	7/2010	Poolman	.....	D21/550
D639,351 S *	6/2011	Newmayer	.....	D21/533
D691,675 S *	10/2013	Kim	.....	D21/533
D711,479 S *	8/2014	Lee	.....	D21/578
D810,166 S *	2/2018	Lee	.....	D15/199
D813,958 S *	3/2018	Dooley	.....	D21/533

D825,011 S *	8/2018	Wang	.....	D21/578
D832,326 S *	10/2018	Lee	.....	D15/199
D837,855 S *	1/2019	Chen	.....	D15/199
D855,094 S *	7/2019	Li	.....	D15/199
D890,024 S *	7/2020	Schnapp	.....	D12/1
D890,861 S *	7/2020	Blaustein	.....	D21/578
D906,443 S *	12/2020	Christie, II	.....	D21/578
D909,496 S *	2/2021	Zou	.....	D21/578

**OTHER PUBLICATIONS**

Recon Robotics, Product Overview for Throwbot 2 Robot, accessed at: <https://reconrobotics.com/products/product-overview/>, accessed on Dec. 23, 2020, 10 pages.

Sphero, "Ollie—Official Launch Video Sphero Connected Toys," posted Sept. 4, 2014, accessed at: <https://www.youtube.com/watch?v=Zi-5hbaGmuQ>, 5 pages.

(Continued)

*Primary Examiner* — Michael C Stout

*Assistant Examiner* — Fritzgerald L Butac

(74) *Attorney, Agent, or Firm* — Schneider IP Law LLC;  
Laura Schneider

(57)

**CLAIM**

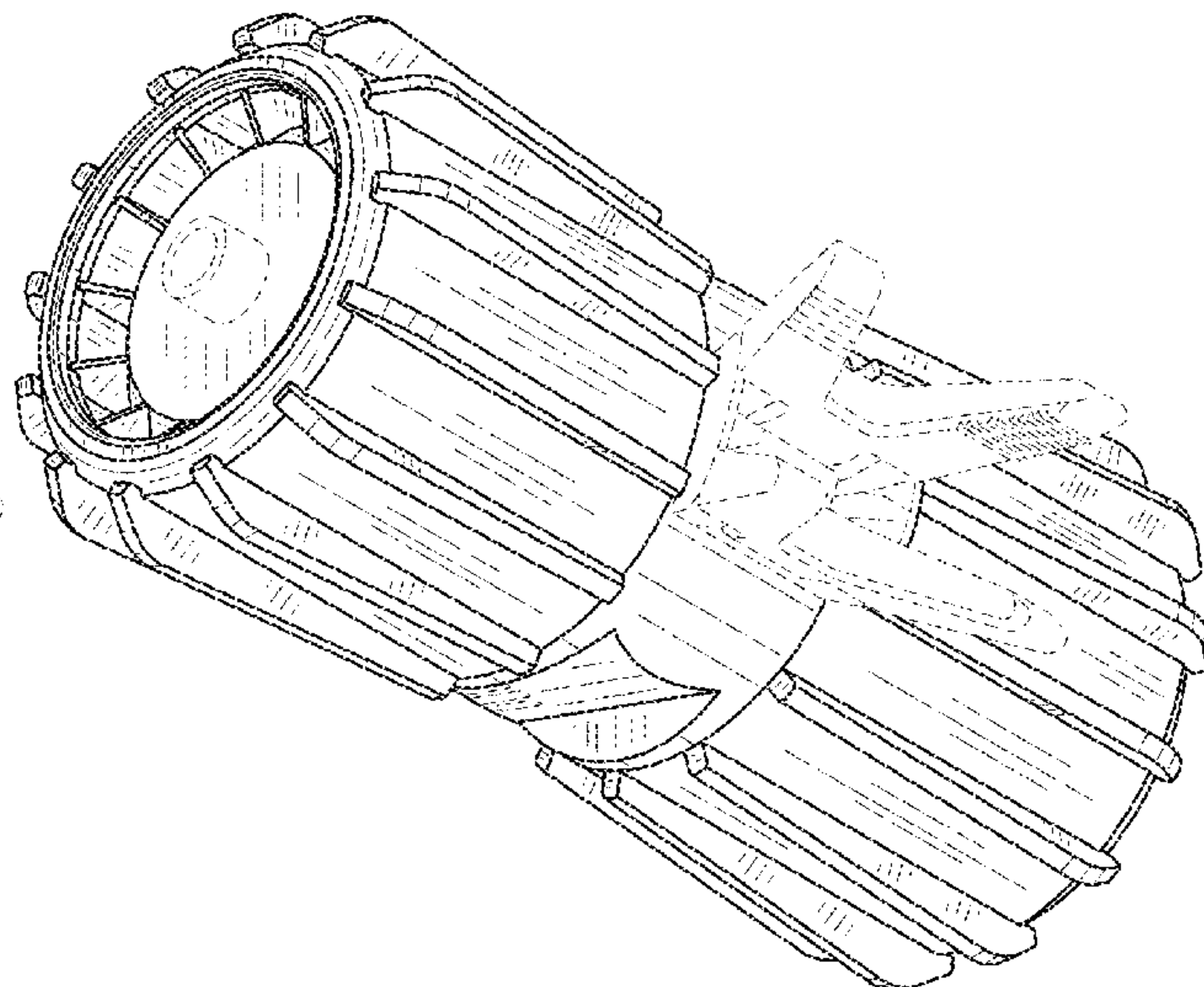
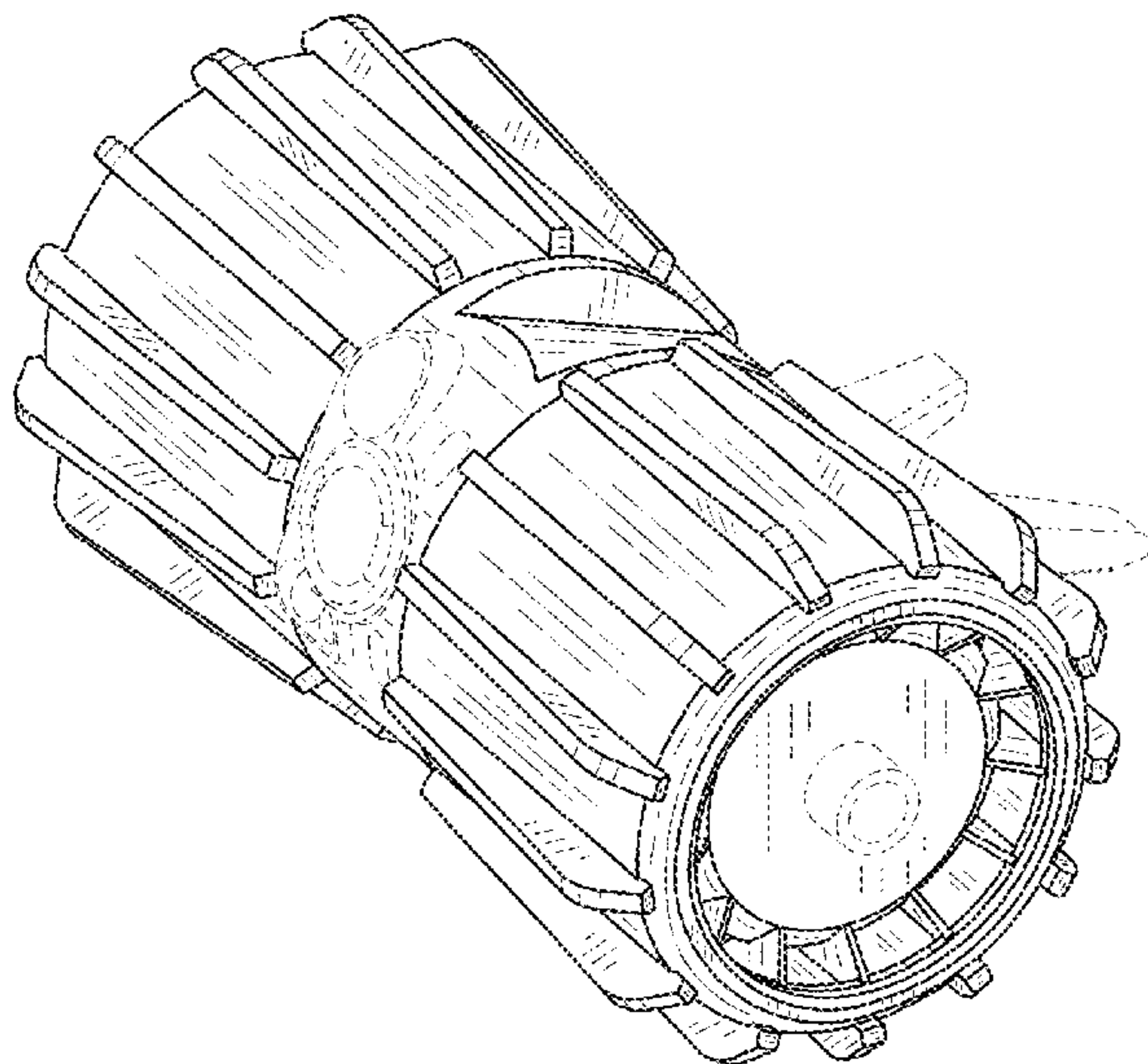
The ornamental design for a situational awareness robot, as shown and described.

**DESCRIPTION**

FIG. 1 is a top perspective view of the claimed design; FIG. 2 is a bottom perspective view of the claimed design; FIG. 3 is a front view of the claimed design; FIG. 4 is a back view of the claimed design; FIG. 5 is a right side view of the claimed design; FIG. 6 is a left side view of the claimed design; FIG. 7 is a top view of the claimed design; and, FIG. 8 is a bottom view of the claimed design.

The broken lines show portions of a situational awareness robot which form no part of the claimed design.

**1 Claim, 8 Drawing Sheets**



(56)

**References Cited**

OTHER PUBLICATIONS

Parrot, "Parrot MiniDrone Jumping Sumo Official Video," posted Jun. 10, 2014, accessed at: [https://www.youtube.com/watch?v=-\\_8MtJ6Wujl](https://www.youtube.com/watch?v=-_8MtJ6Wujl), 5 pages.

Skymee, "Skymee Owl Robot: Mobile Full HD Pet Camera with Treat Dispenser, Interactive Toy for pets via App," accessed at: <https://store.skymee.com/collections/frontpage/products/skymee-owl-robot-mobile-full-hd-pet-camera-with-treat-dispenser-interactive-toy-for-pets-via-app>, accessed on Dec. 23, 2020, 8 pages.

Cheerble, "WickedBone," accessed at: [https://store.cheerble.com/products/wickedbone?variant=20874041032822&utm\\_medium=cpc&utm\\_source=google&utm\\_campaign=Google%20Shopping&gclid=Cj0KCQiAk53-BRD0ARIsAJuNhpv-WcFoRM-UcMxiZJIwiMpQk5w8\\_ZrlkdmDldUQLD8kpavkl24xSmMaAvlcEALw\\_wcB](https://store.cheerble.com/products/wickedbone?variant=20874041032822&utm_medium=cpc&utm_source=google&utm_campaign=Google%20Shopping&gclid=Cj0KCQiAk53-BRD0ARIsAJuNhpv-WcFoRM-UcMxiZJIwiMpQk5w8_ZrlkdmDldUQLD8kpavkl24xSmMaAvlcEALw_wcB), accessed on:

Dec. 23, 2020, 12 pages.

Varram, "Varram Pet Fitness," accessed at: <https://varram.com/collections/all/products/varram-pet-fitness?variant=20481841430616>, accessed on: Dec. 23, 2020, 25 pages.

Tukasiewicz PIAP, "French and Israelis Buy Tactical TRM Tossed Robots," accessed at: [https://www.antyterroryzm.com/trm\\_do\\_francji/](https://www.antyterroryzm.com/trm_do_francji/), accessed on Jan. 5, 2021, page translated from Polish, 3 pages.

\* cited by examiner



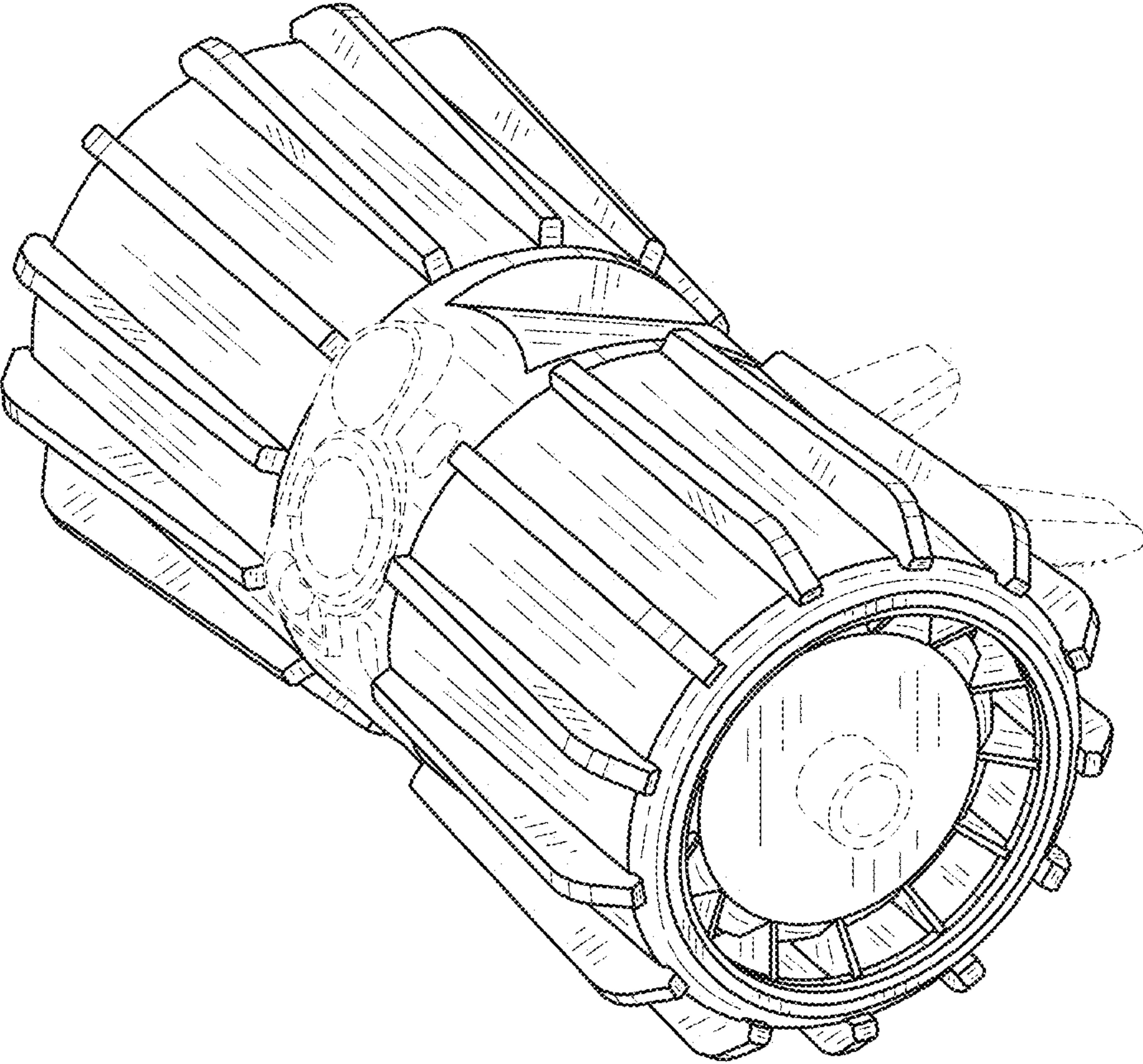


FIG.1

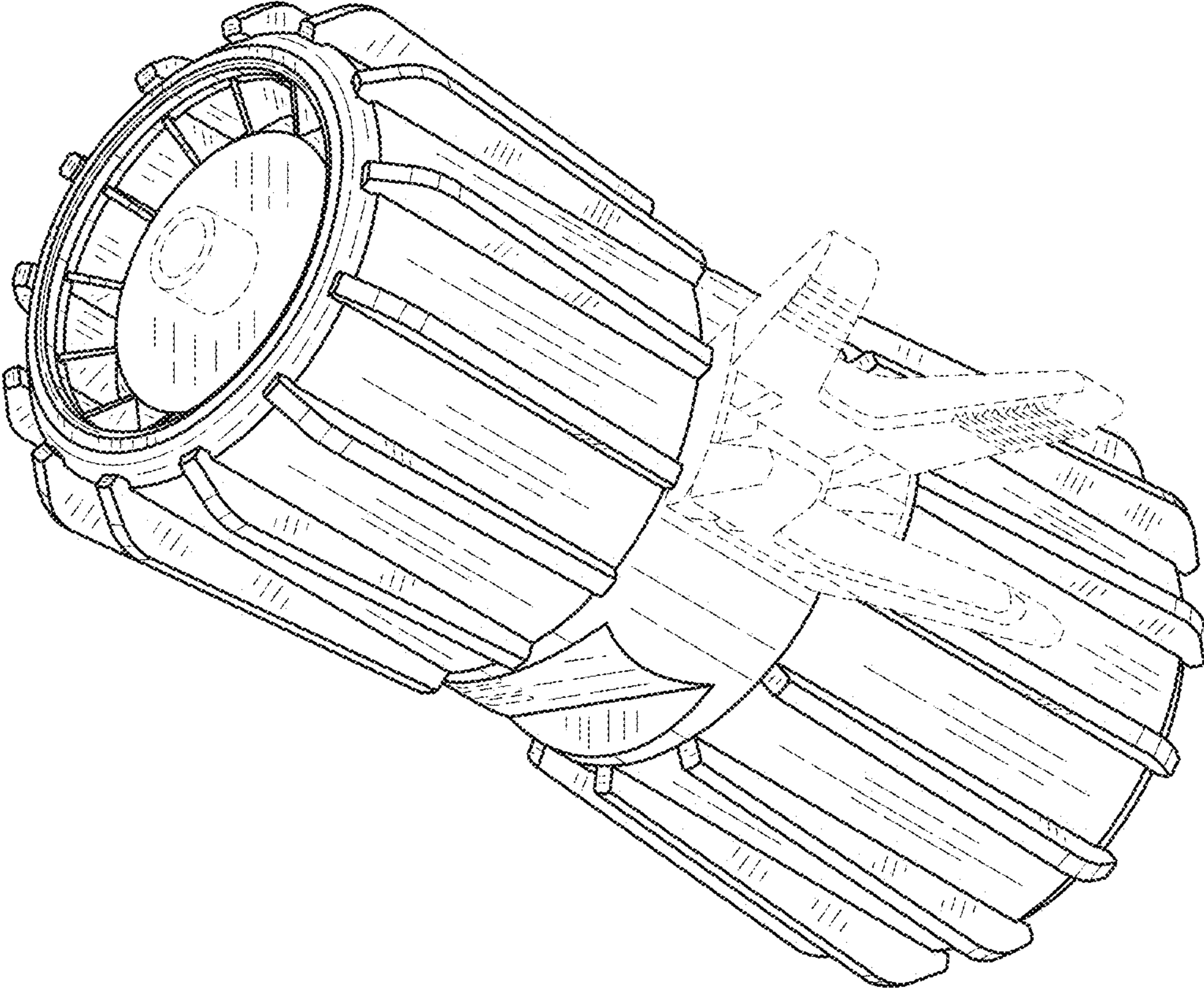


FIG.2

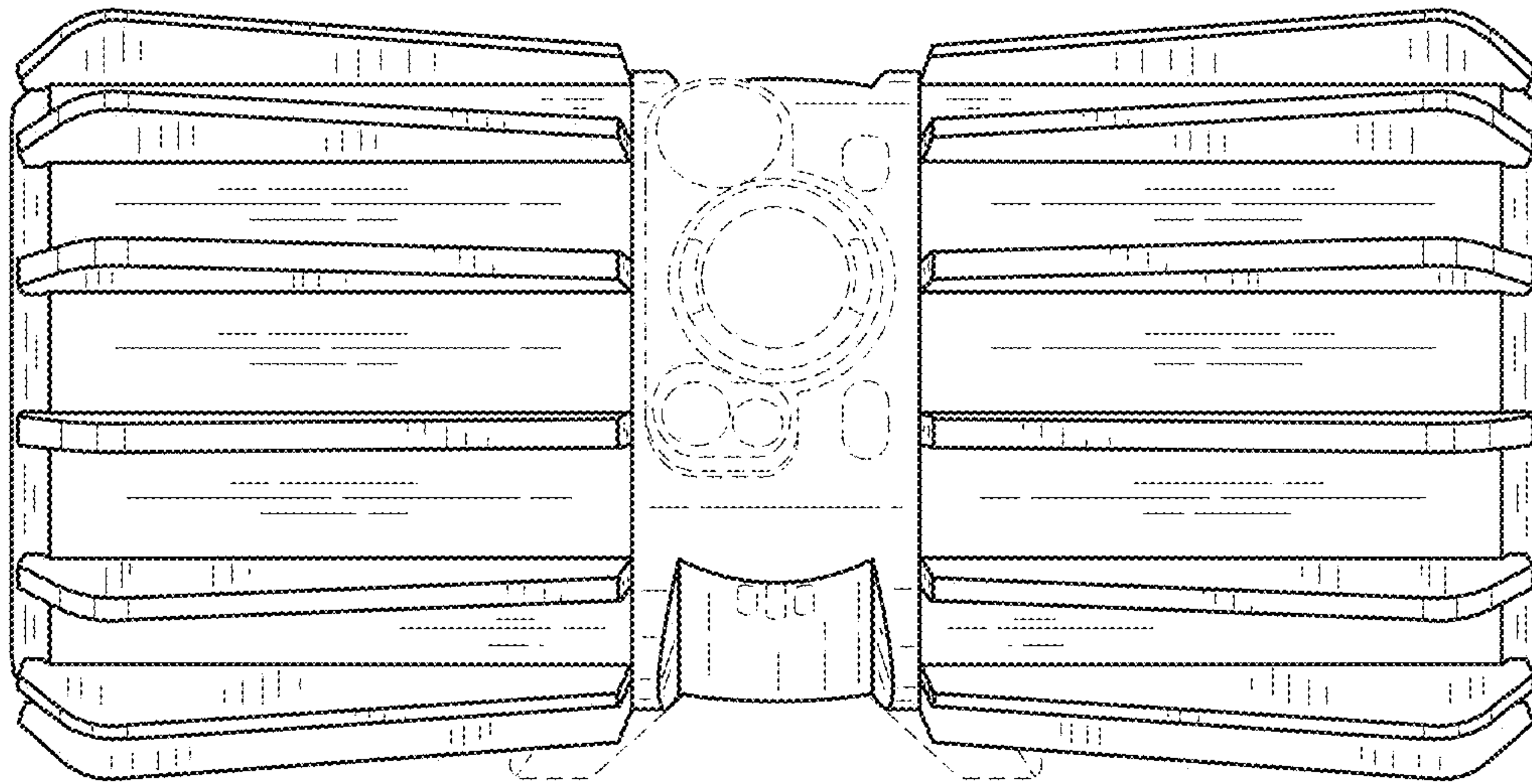


FIG.3

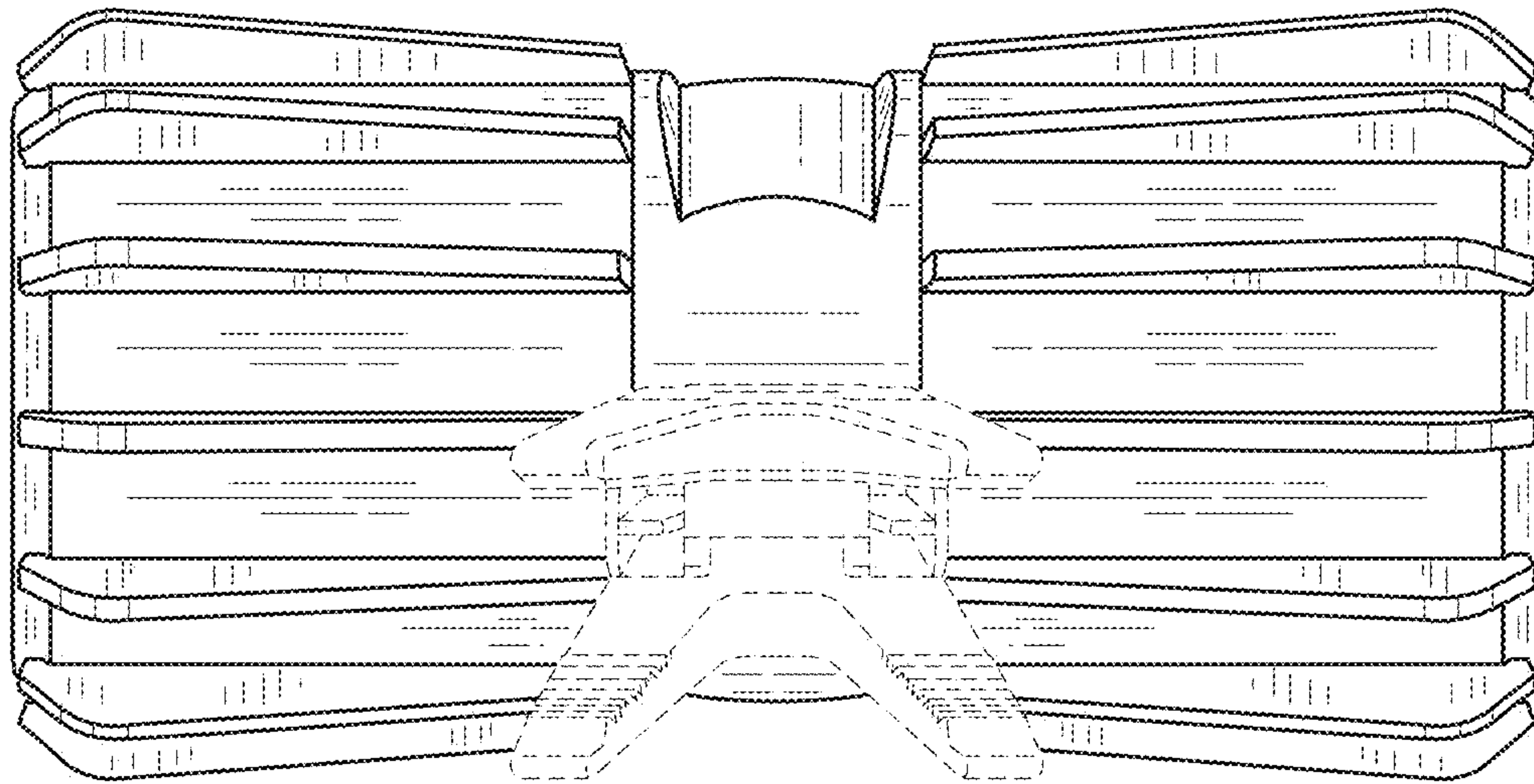


FIG.4



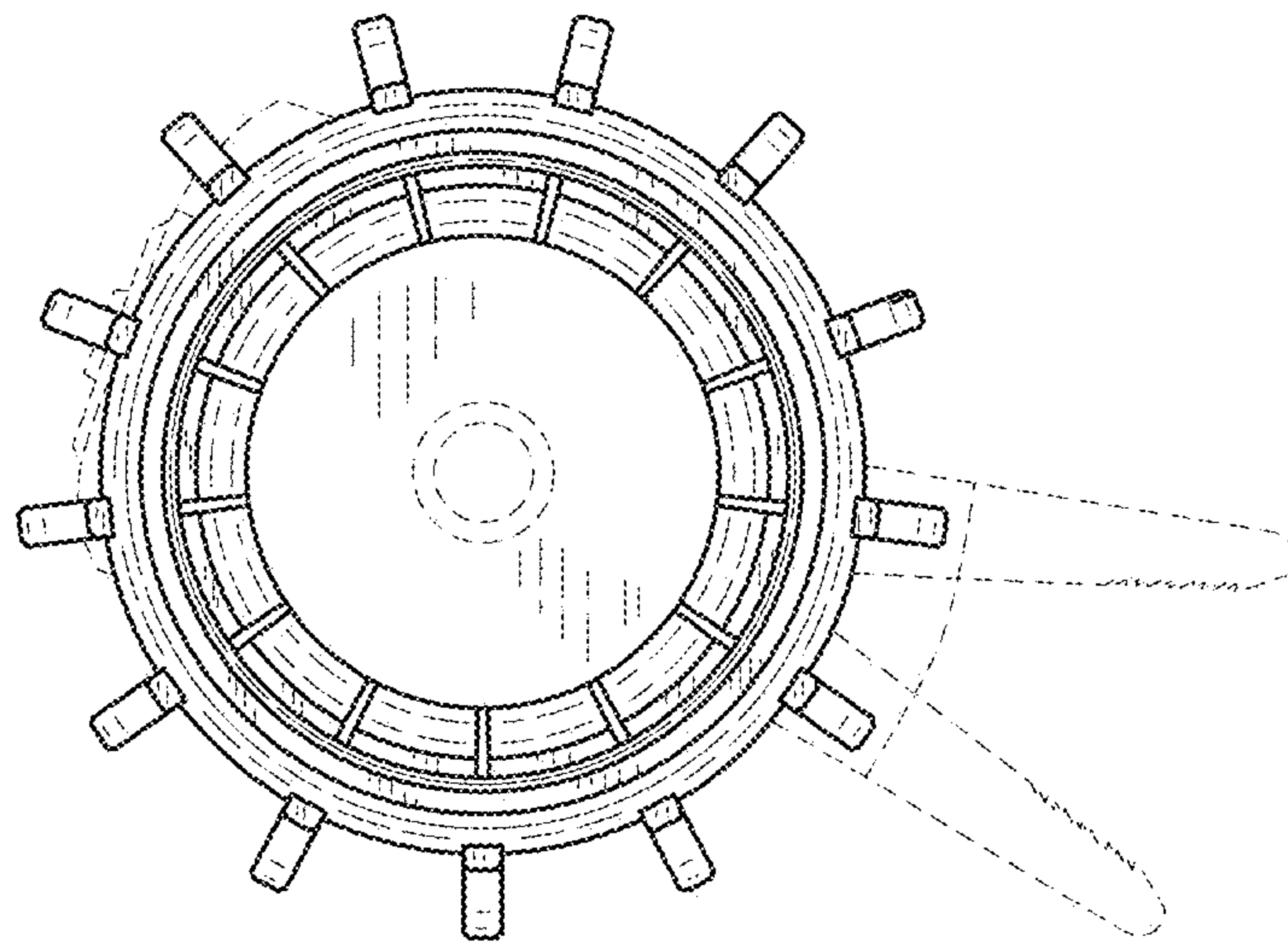


FIG.5

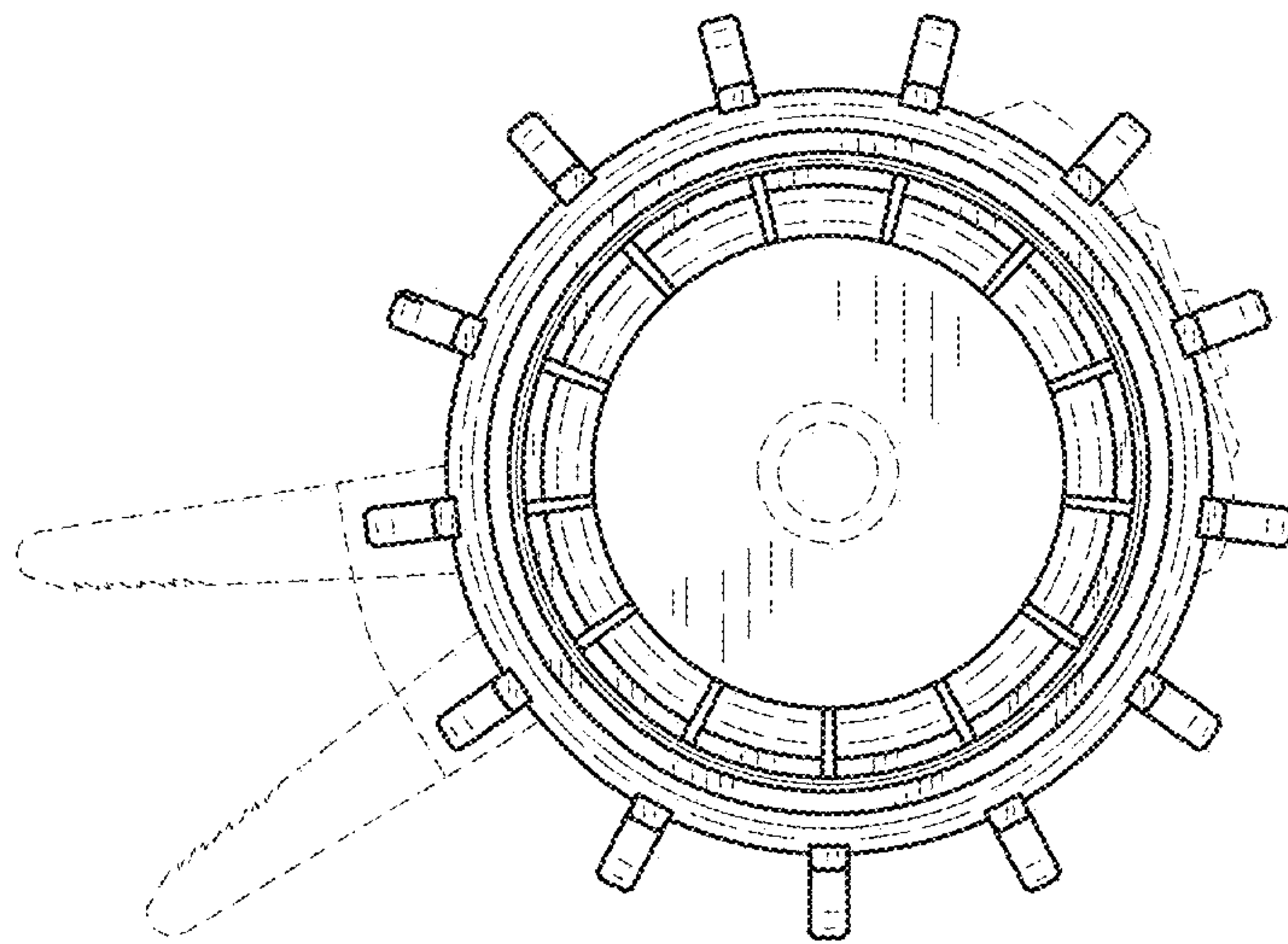


FIG.6



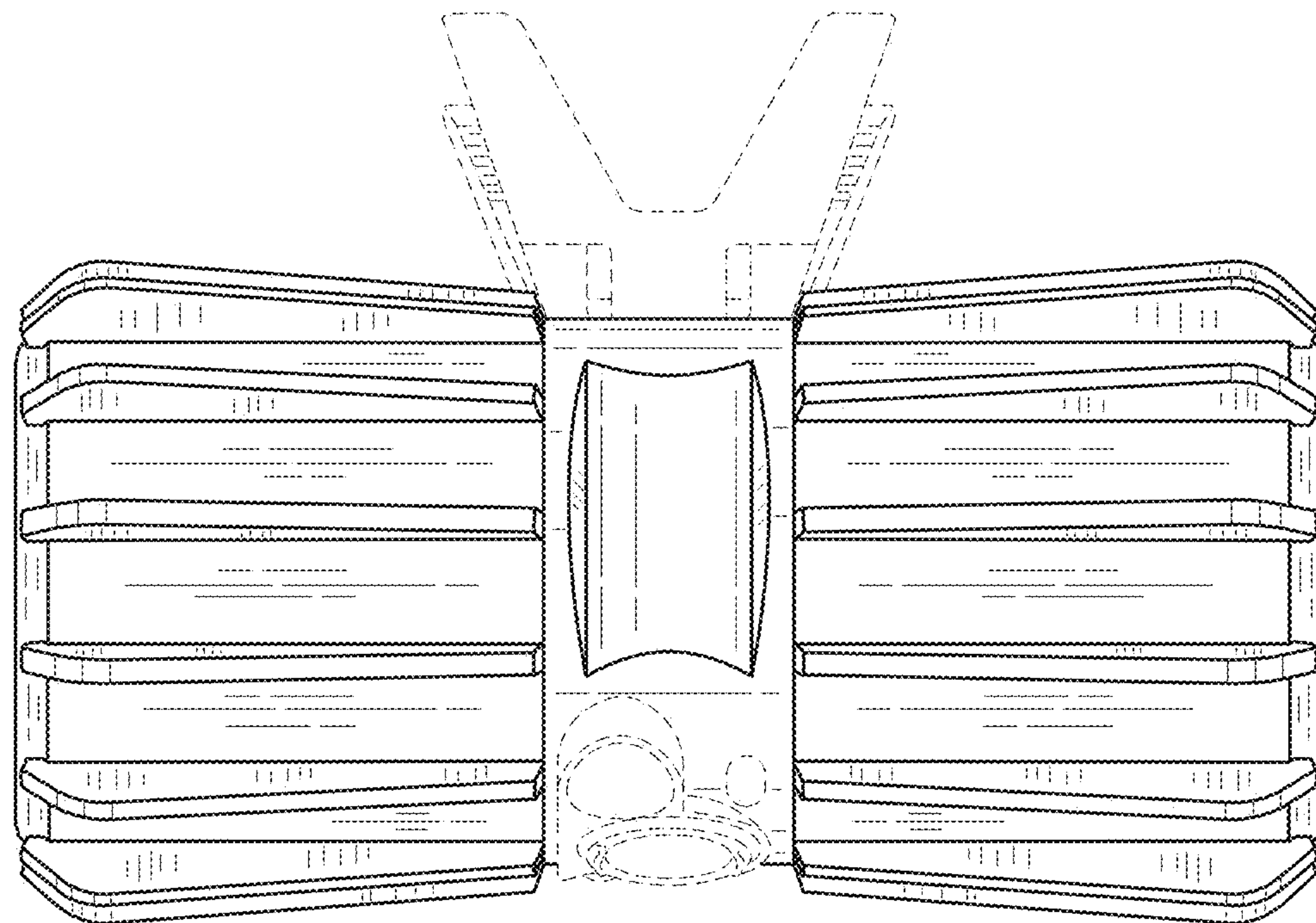


FIG.7

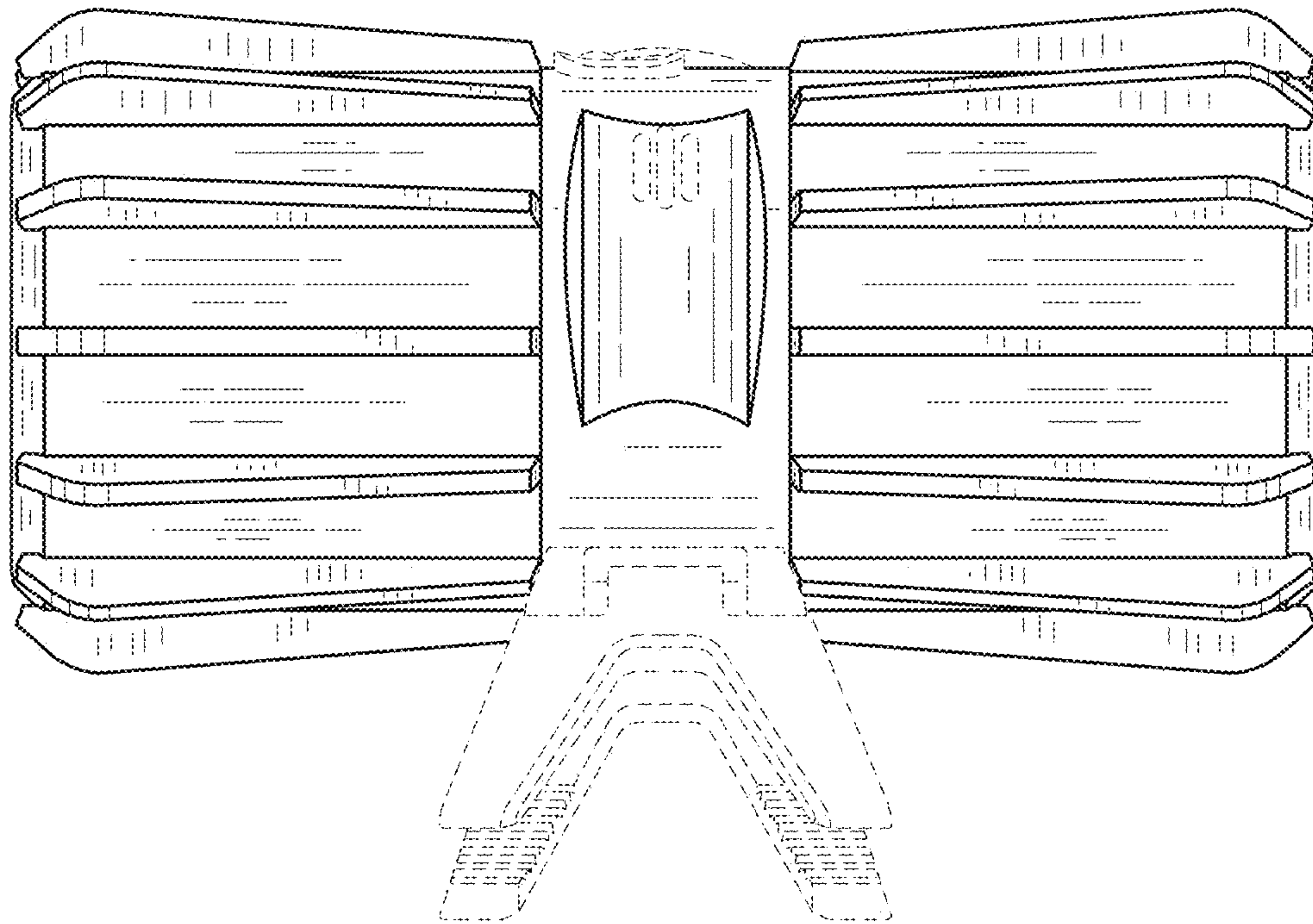


FIG.8