



US00D966377S

(12) **United States Design Patent**  
**Uribe**

(10) **Patent No.:** **US D966,377 S**

(45) **Date of Patent:** **\*\* Oct. 11, 2022**

(54) **ROBOT MASCOT**

(71) Applicant: **Costex Corporation**, Miami, FL (US)

(72) Inventor: **Melissa Uribe**, Miami, FL (US)

(73) Assignee: **Costex Corporation**, Miami, FL (US)

(\*\*) Term: **15 Years**

(21) Appl. No.: **29/754,858**

(22) Filed: **Oct. 15, 2020**

(51) **LOC (13) Cl.** ..... **15-99**

(52) **U.S. Cl.**  
USPC ..... **D15/199**

(58) **Field of Classification Search**  
USPC ..... D12/1, 308; D14/900-902; D15/199;  
D21/398, 424, 456, 467, 493, 495,  
D21/533-539, 578, 579, 585, 593, 594;  
D32/21  
CPC ..... B25J 9/0003; B25J 11/008; B25J 5/007;  
B25J 9/1697; G06F 19/3418; G05D  
2201/0207; Y10S 901/01; Y10S 901/46  
See application file for complete search history.

(56) **References Cited**

**U.S. PATENT DOCUMENTS**

D614,251 S *	4/2010	Chung	.....	D21/578
D635,603 S *	4/2011	Paz Rodriguez	.....	D15/199
D761,894 S *	7/2016	Ho	.....	D15/199
D828,279 S *	9/2018	Xiong	.....	D12/308
D837,854 S *	1/2019	Zhou	.....	D15/199

D843,498 S *	3/2019	Clerc	.....	D21/578
D855,094 S *	7/2019	Li	.....	D15/199
D877,994 S *	3/2020	Kim	.....	D32/21
D881,249 S *	4/2020	Kim	.....	D15/199
D881,961 S *	4/2020	Bergeron	.....	D15/199
D882,193 S *	4/2020	Bruneel	.....	D32/21
D884,766 S *	5/2020	Faoro	.....	D15/199
D911,406 S *	2/2021	Srivastava	.....	D15/199
D919,686 S *	5/2021	Makela	.....	D15/199
D926,398 S *	7/2021	Kim	.....	D32/21
D929,479 S *	8/2021	Gao	.....	D15/199
D931,756 S *	9/2021	Shih	.....	D12/1
D932,368 S *	10/2021	Shih	.....	D12/1

\* cited by examiner

*Primary Examiner* — Michael C Stout

*Assistant Examiner* — Fritzgerald L Butac

(74) *Attorney, Agent, or Firm* — Bay State IP, LLC

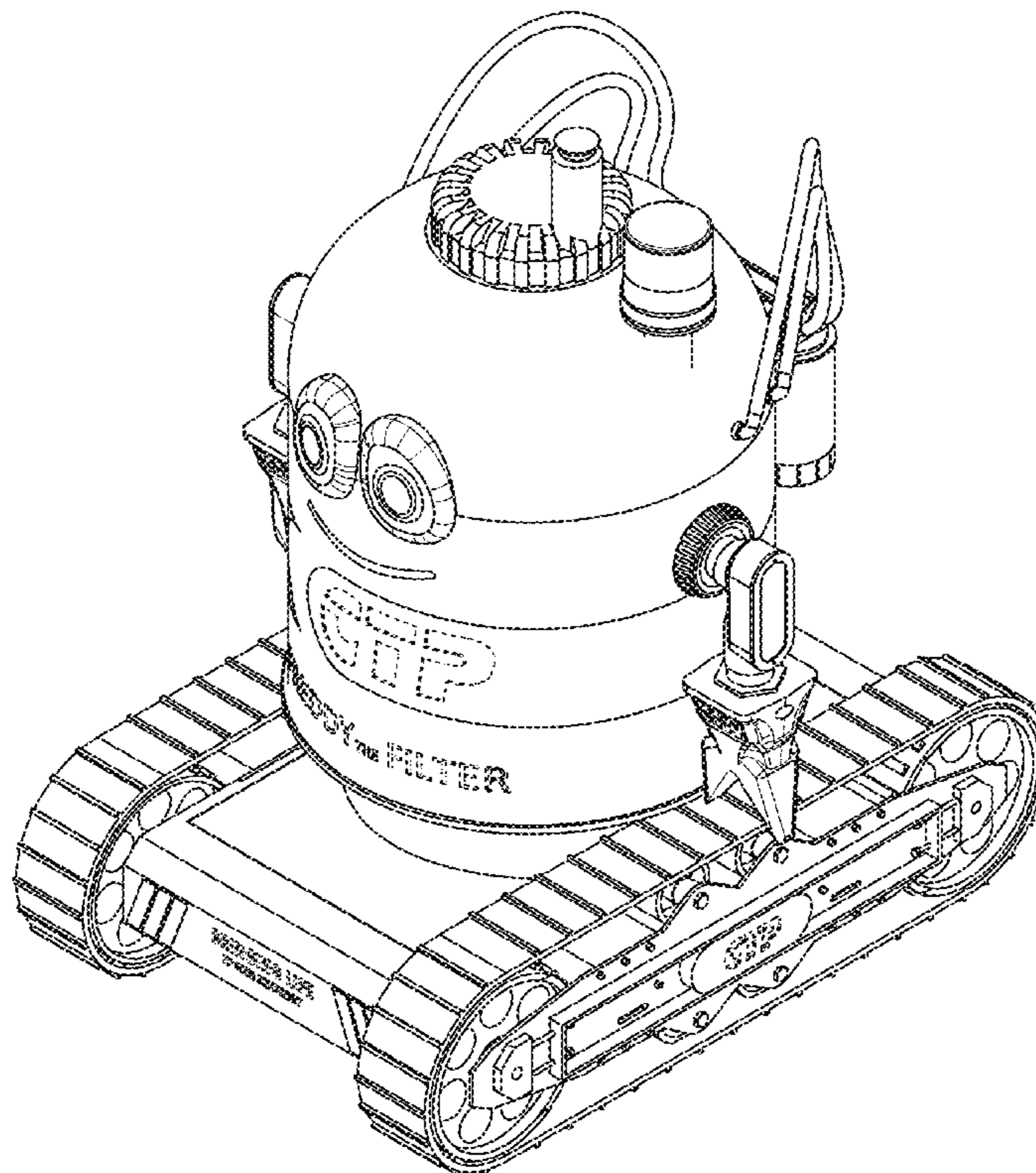
(57) **CLAIM**

The ornamental design for a robot mascot, as shown and described.

**DESCRIPTION**

FIG. 1 is a front view showing my new design;  
FIG. 2 is a back view thereof;  
FIG. 3 is a left side view thereof;  
FIG. 4 is a right side view thereof;  
FIG. 5 is a top view thereof;  
FIG. 6 is a bottom view thereof; and,  
FIG. 7 is a perspective view thereof.  
The broken lines in the drawings show portions of the robot mascot that forms no part of the claimed design.

**1 Claim, 7 Drawing Sheets**



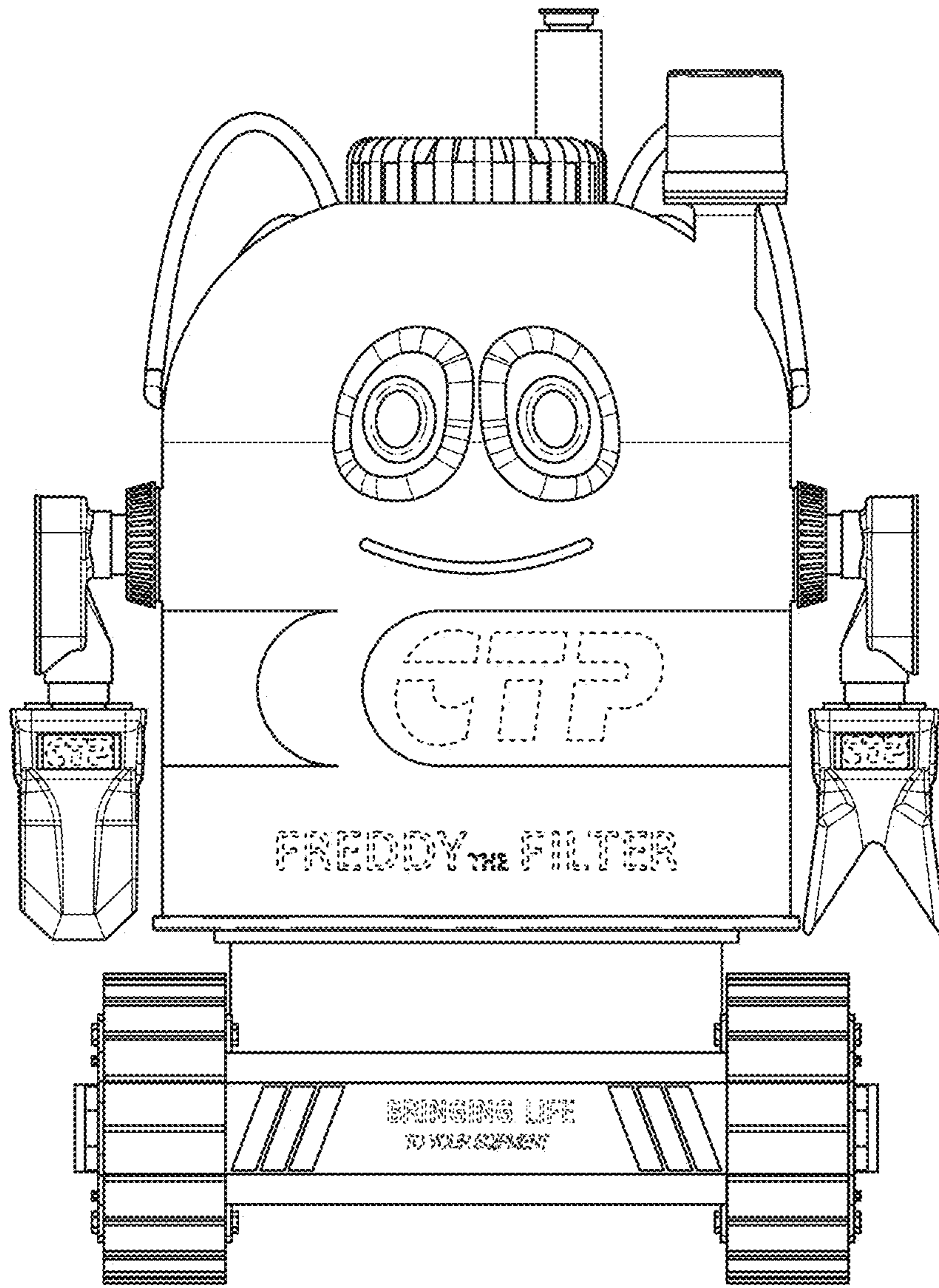


FIG. 1

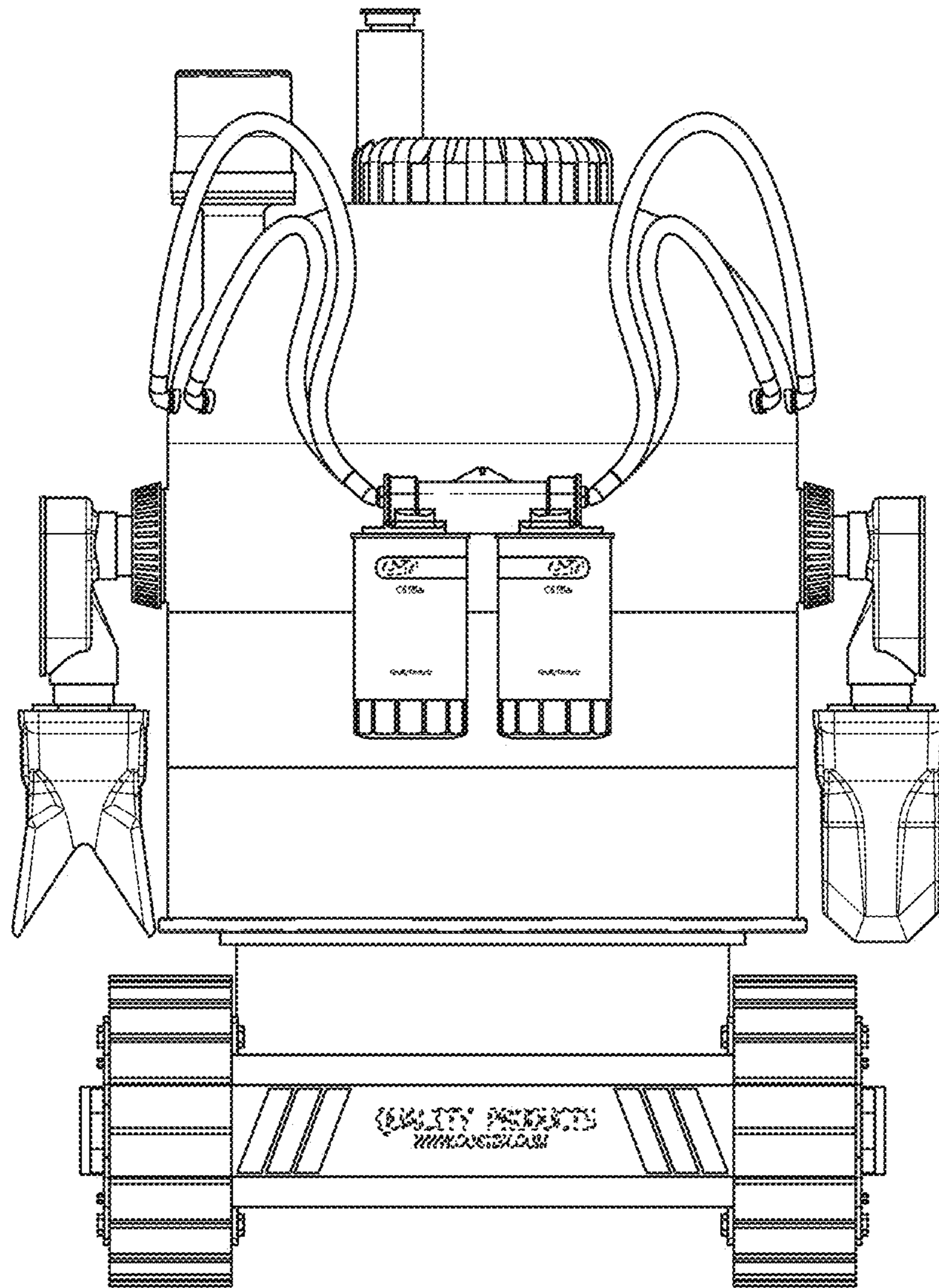


FIG. 2



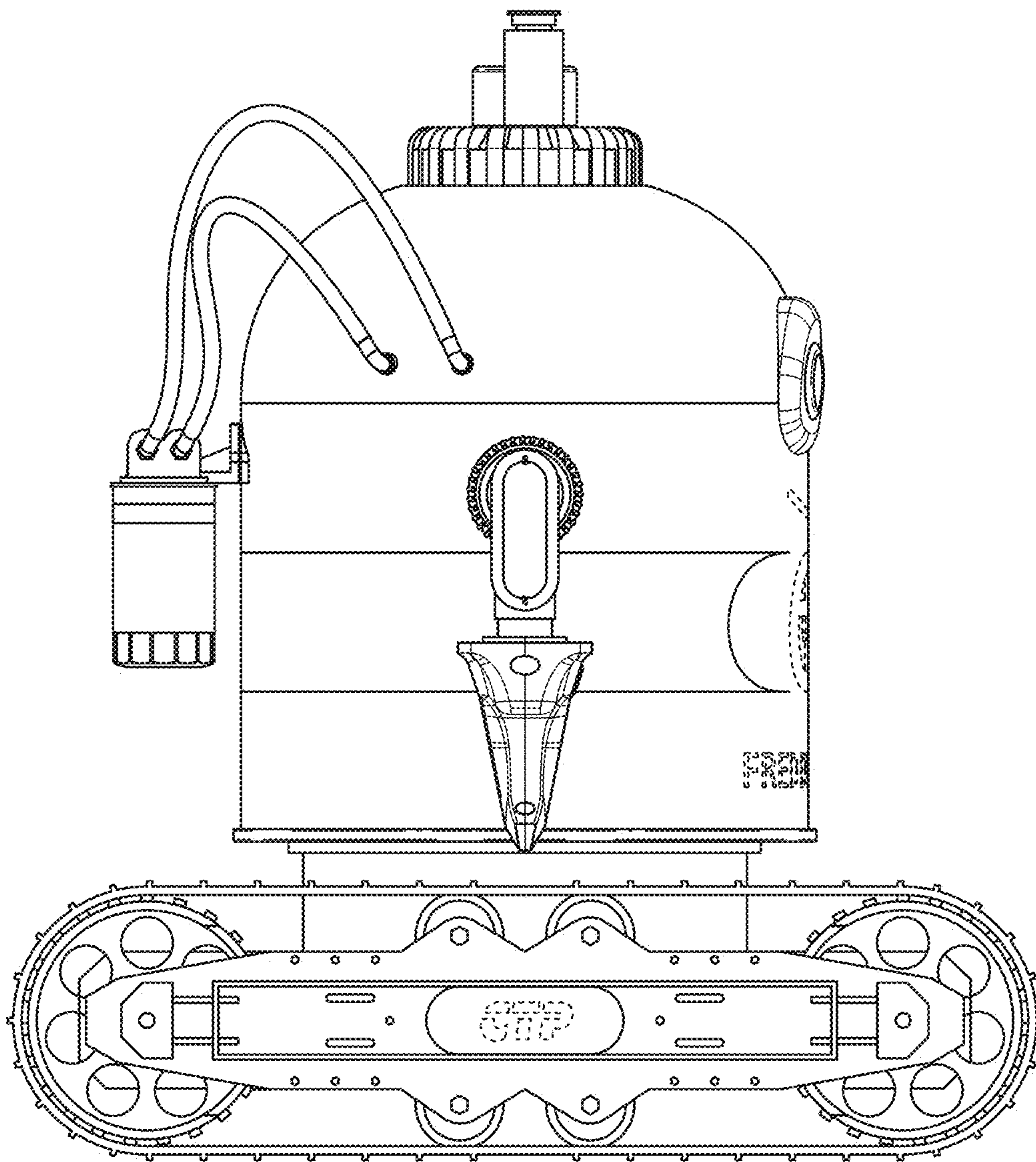


FIG. 3

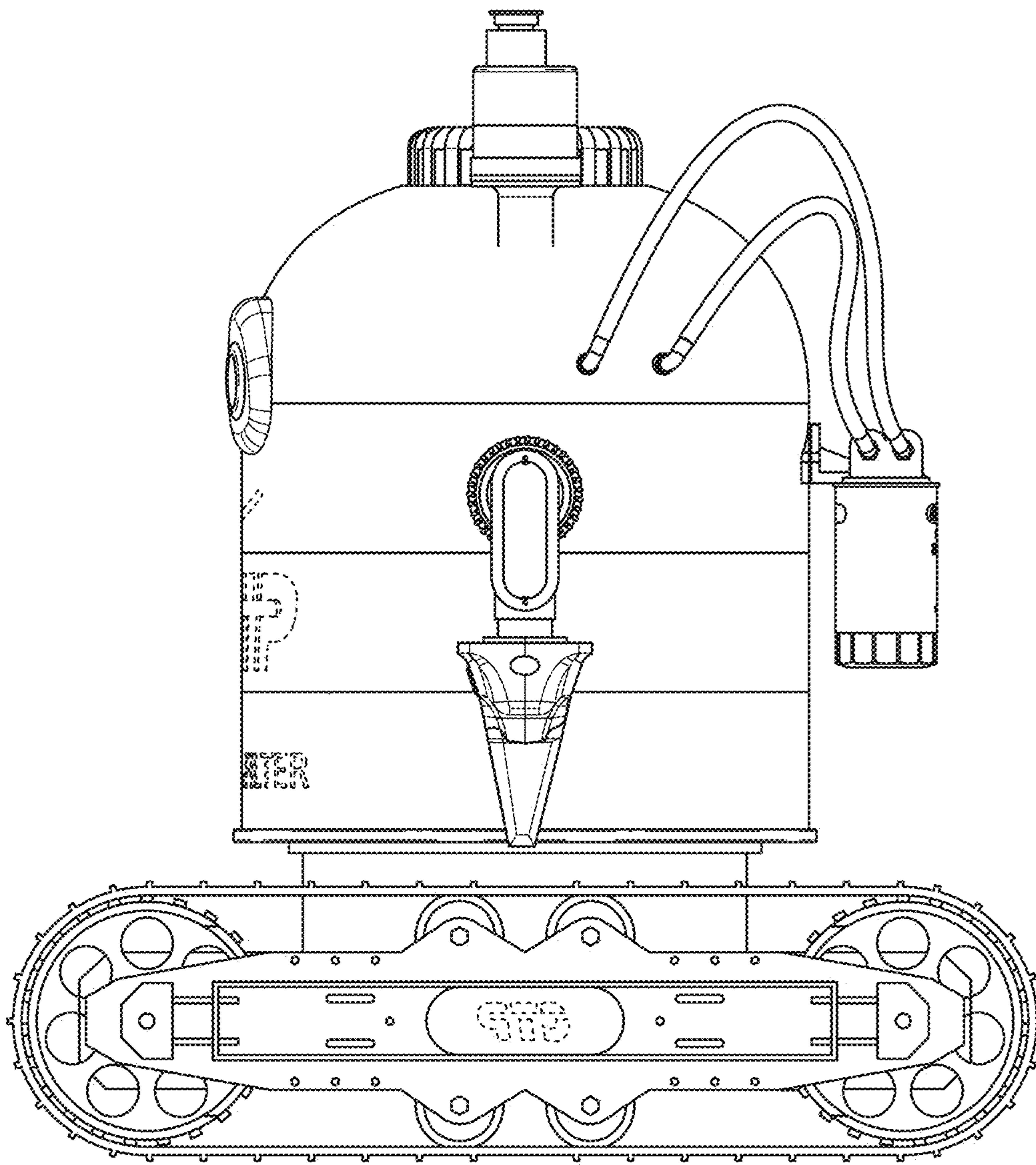


FIG. 4

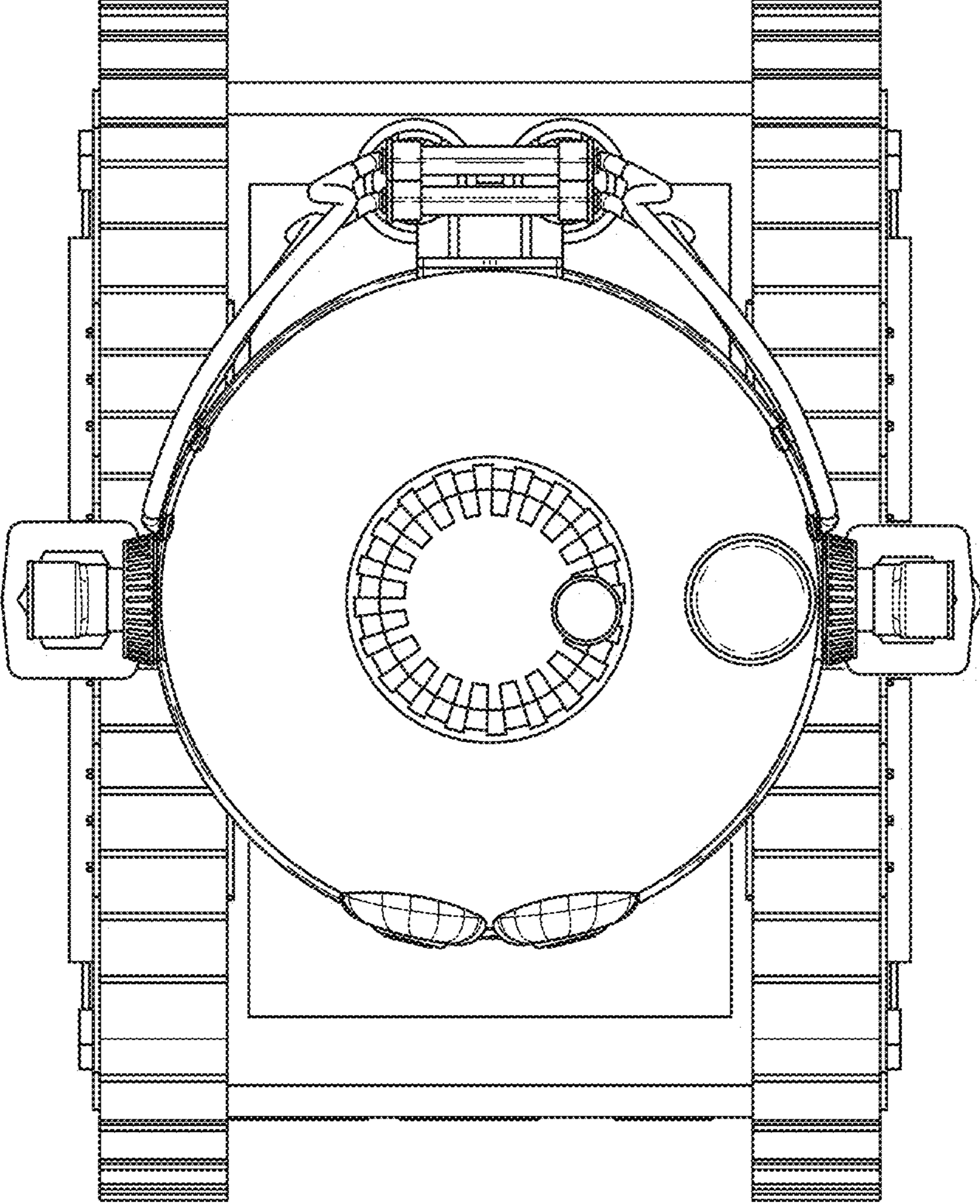


FIG. 5

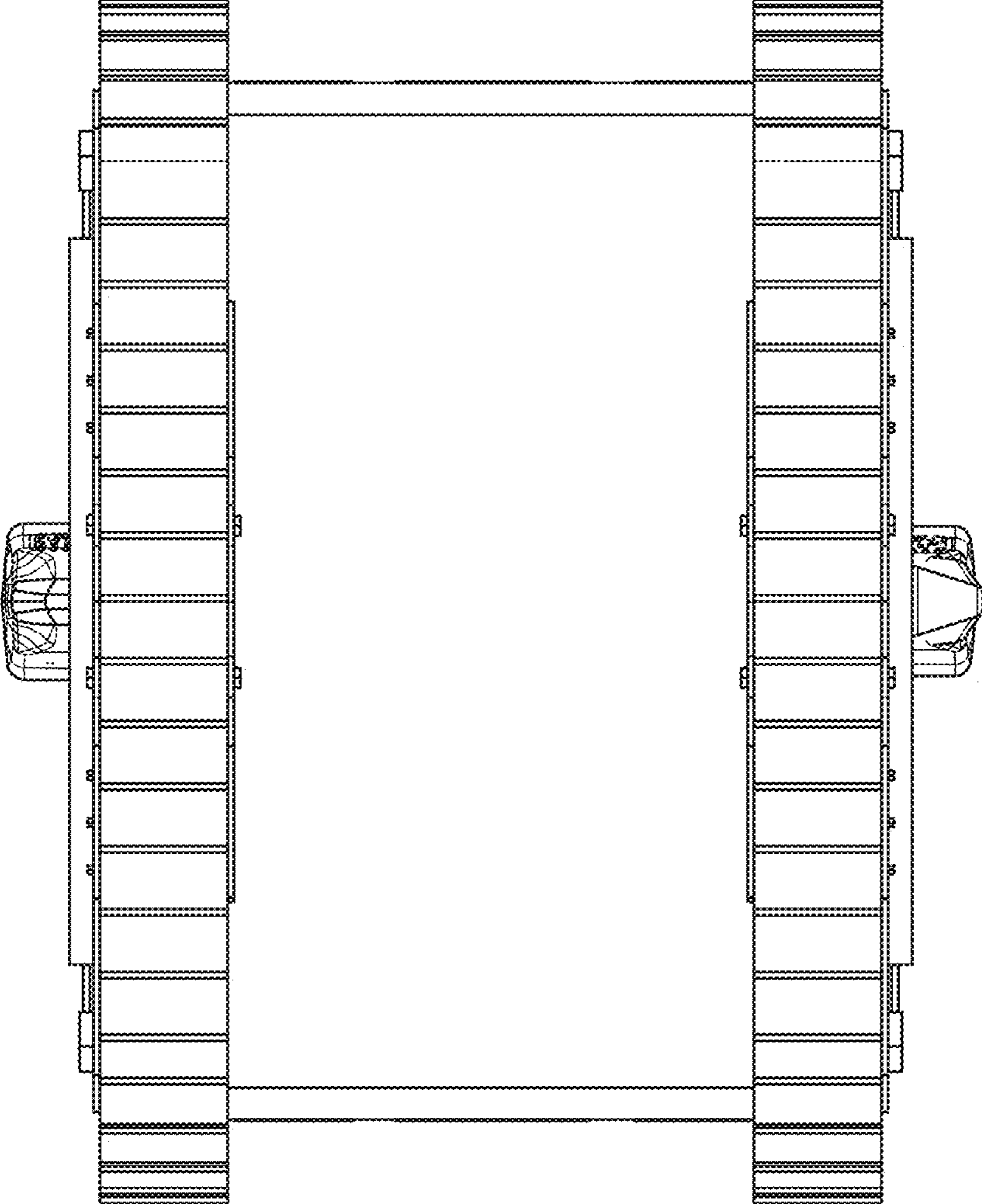


FIG. 6



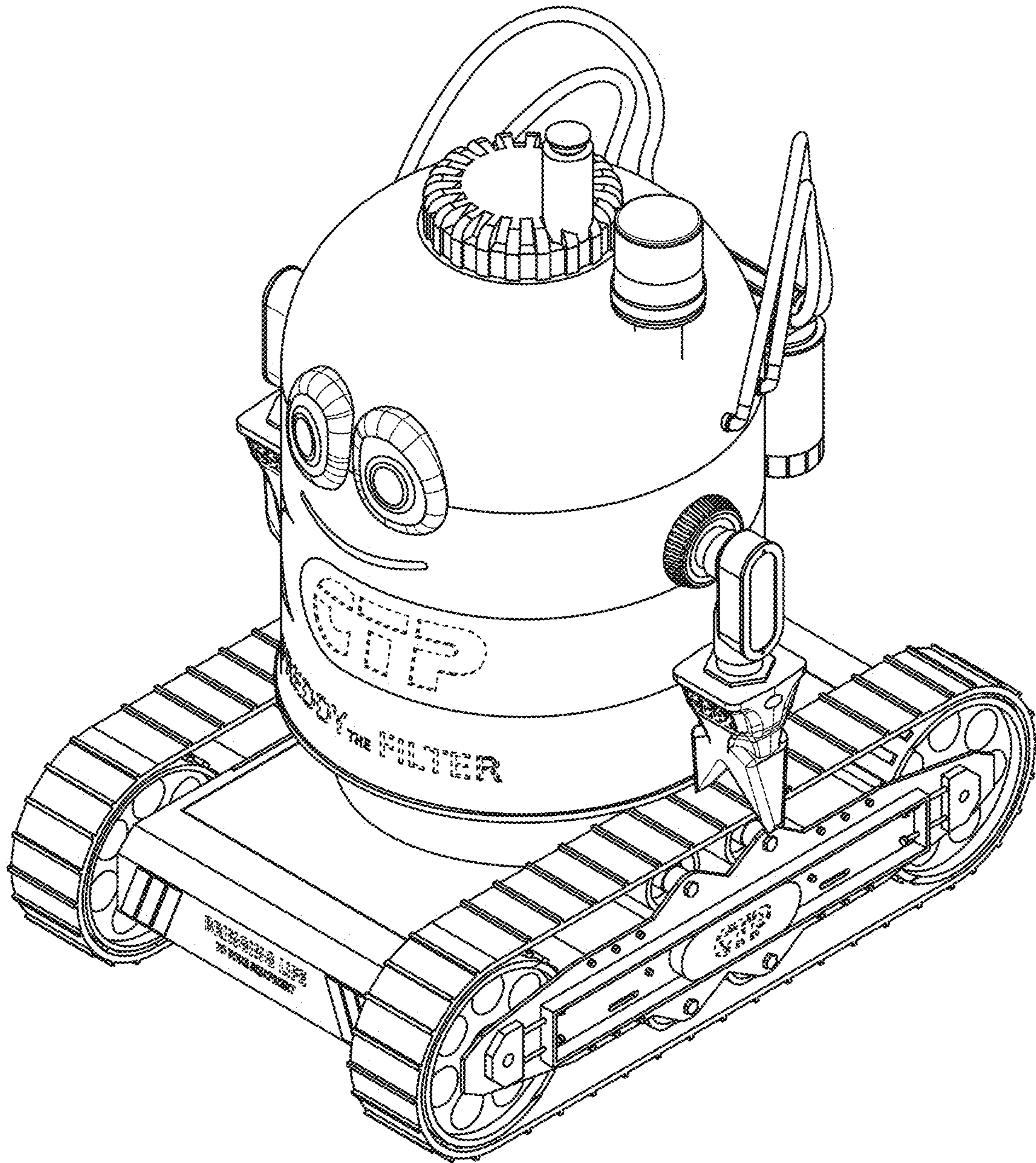


FIG. 7