



US00D966376S

(12) **United States Design Patent**
Nagatsuka

(10) **Patent No.:** **US D966,376 S**
(45) **Date of Patent:** **** Oct. 11, 2022**

(54) **ROBOT HEAD**

(71) Applicant: **THK CO., LTD.**, Tokyo (JP)
(72) Inventor: **Masaki Nagatsuka**, Tokyo (JP)
(73) Assignee: **THK CO., LTD.**, Tokyo (JP)
(**) Term: **15 Years**
(21) Appl. No.: **29/753,621**
(22) Filed: **Oct. 1, 2020**

(30) **Foreign Application Priority Data**

Apr. 1, 2020 (JP) 2020-006501

(51) **LOC (13) Cl.** **15-99**

(52) **U.S. Cl.**
USPC **D15/199**

(58) **Field of Classification Search**

USPC D12/1, 308; D14/900-902; D15/199;
D21/398, 424, 456, 467, 493, 495,
D21/533-539, 576, 578, 579, 585, 587,
D21/588, 592, 593, 594, 621, 622, 659;
D32/21

CPC B25J 9/0003; B25J 11/008; B25J 5/007;
B25J 9/1697; G06F 19/3418; G05D
2201/0207; Y10S 901/01; Y10S 901/46

See application file for complete search history.

(56) **References Cited**

U.S. PATENT DOCUMENTS

D248,687 S * 7/1978 Bretschger D21/578
D248,688 S * 7/1978 Vernon, Jr. D21/578

(Continued)

OTHER PUBLICATIONS

Certificate for seeking the Application of the Provision concerning
Exception to Lack of Novelty of Design dated Dec. 18 to 21, 2019,
with English translation (8 pages).

Primary Examiner — Michael C Stout
Assistant Examiner — Fritzgerald L Butac
(74) *Attorney, Agent, or Firm* — WHDA, LLP

(57) **CLAIM**

The ornamental design for a robot head, as shown and described.

DESCRIPTION

FIG. 1 is a front elevational view of a robot head, showing my new design;

FIG. 2 is a rear elevational view thereof;

FIG. 3 is a right side elevational view thereof;

FIG. 4 is a left side elevational view thereof;

FIG. 5 is a top plan view thereof;

FIG. 6 is a bottom plan view thereof;

FIG. 7 is a front, top and right side perspective view thereof;

FIG. 8 is a rear, bottom and left side perspective view thereof;

FIG. 9 is a front, right and bottom perspective view thereof;

FIG. 10 is a rear, left and top perspective view thereof;

FIG. 11 is a first reference view thereof, showing a non-limiting use of the robot head, attached to a body;

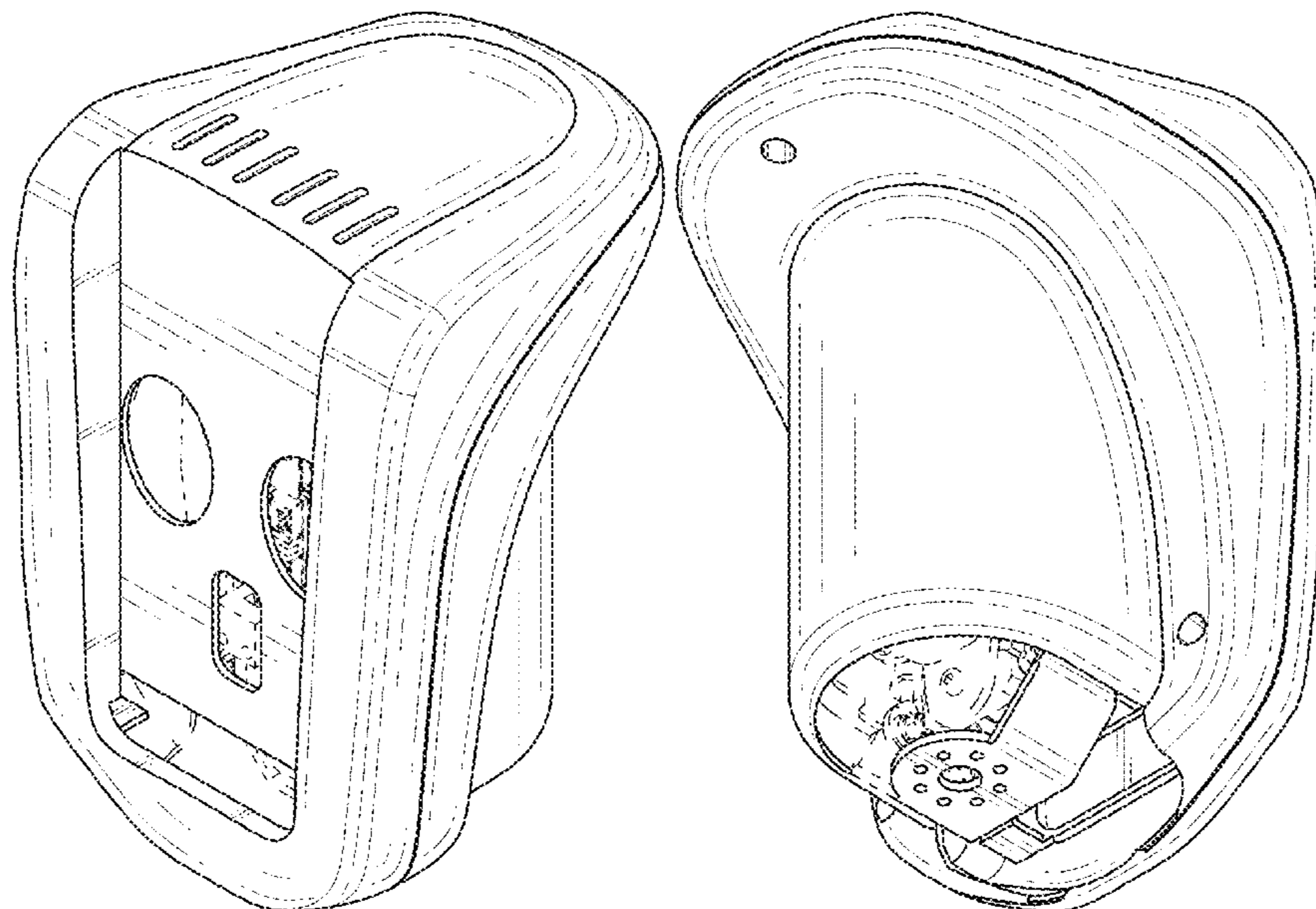
FIG. 12 is a second reference view thereof, showing a non-limiting use of the robot head in use, attached to a body;

FIG. 13 is a third reference view thereof, showing a non-limiting use of the robot head, showing how a portable information terminal such as a smart phone can be inserted; and,

FIG. 14 is a fourth reference view thereof, showing a non-limiting use of the robot head in use, with a portable information terminal such as a smart phone inserted.

The broken lines seen in FIGS. 1-10 show portions of the robot head which form no part of the claimed design. The broken lines seen in FIGS. 11-14 are for the purpose of showing environmental structure, and form no part of the claimed design.

1 Claim, 14 Drawing Sheets



(56)

References Cited

U.S. PATENT DOCUMENTS

D452,889 S *	1/2002	Kawakita	D21/611
D626,578 S *	11/2010	Wiley	D15/199
D811,496 S *	2/2018	Belker	D21/659
D812,153 S *	3/2018	Belker	D21/659
D818,020 S *	5/2018	McGinn	D15/199
D829,251 S *	9/2018	Wang	D15/199
D873,932 S *	1/2020	Fruh	D21/659

* cited by examiner

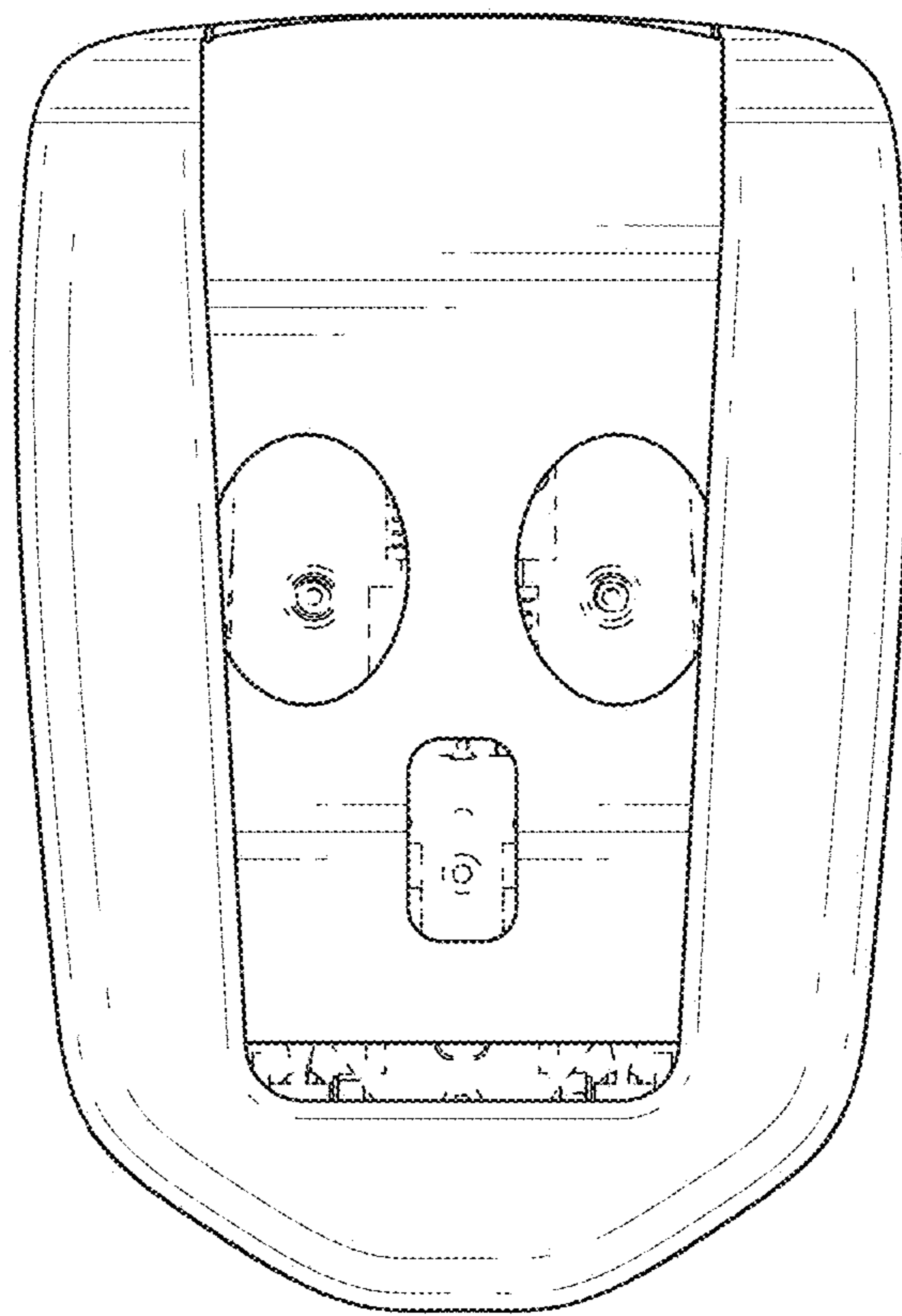


FIG. 1

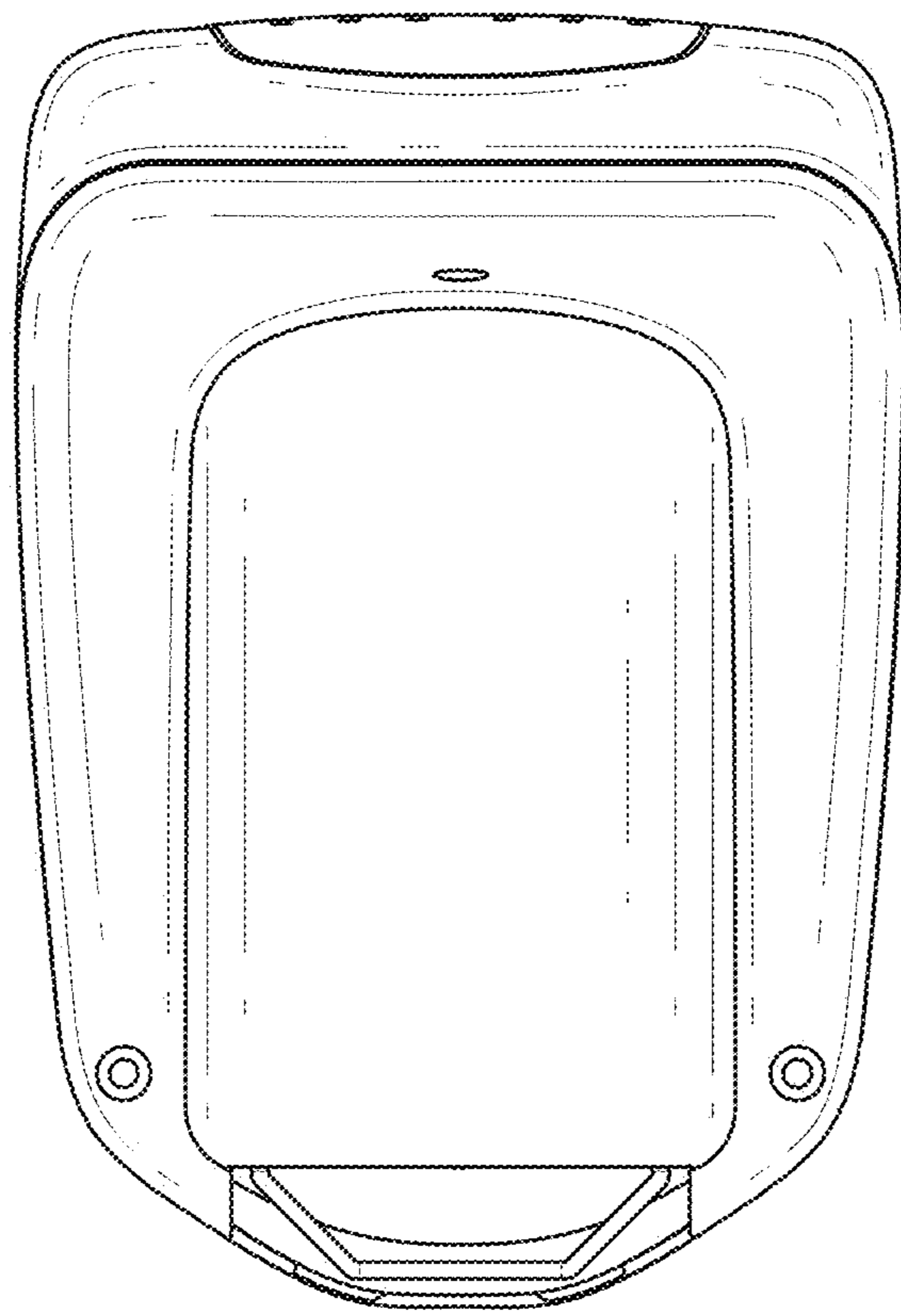


FIG. 2

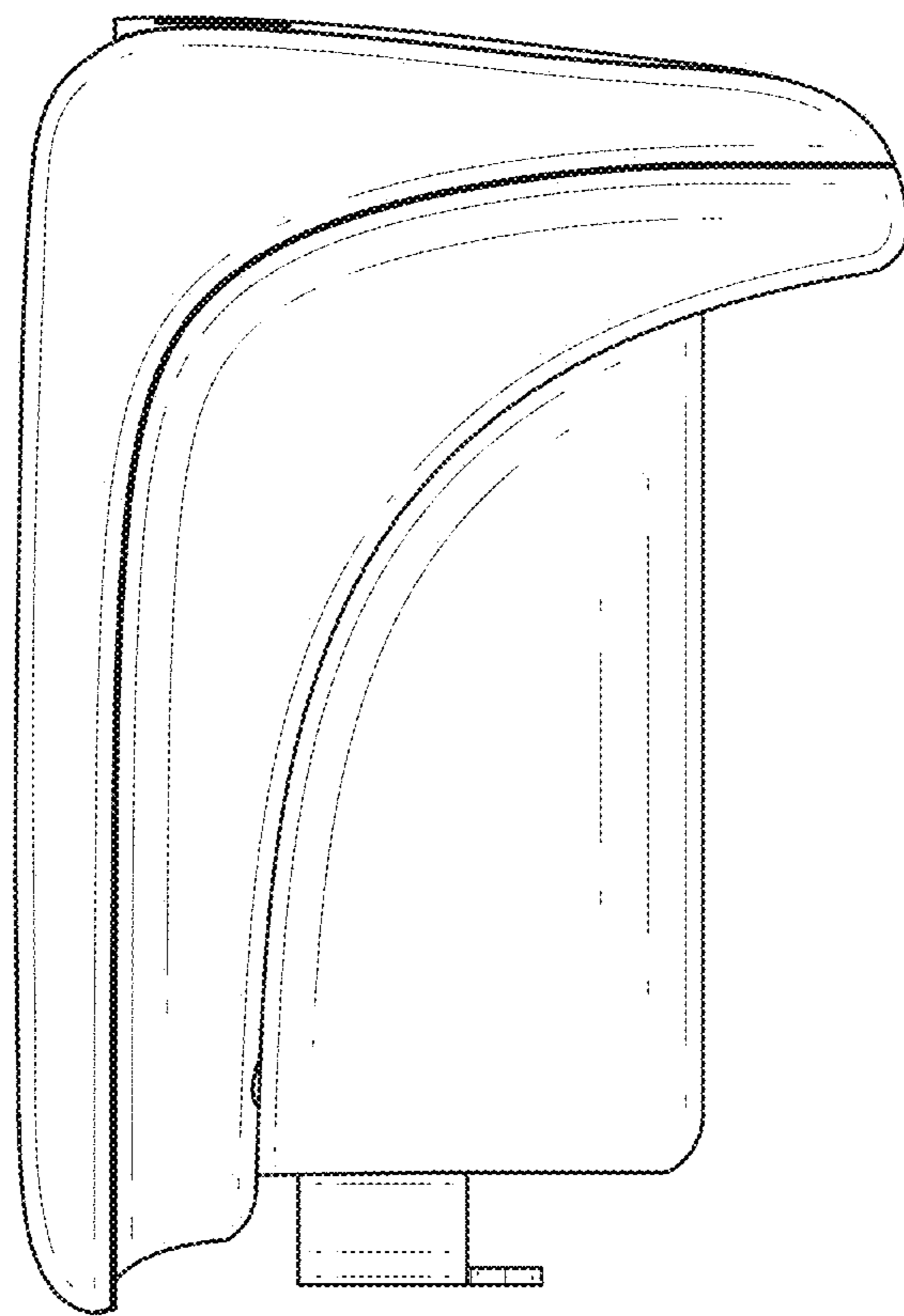


FIG. 3

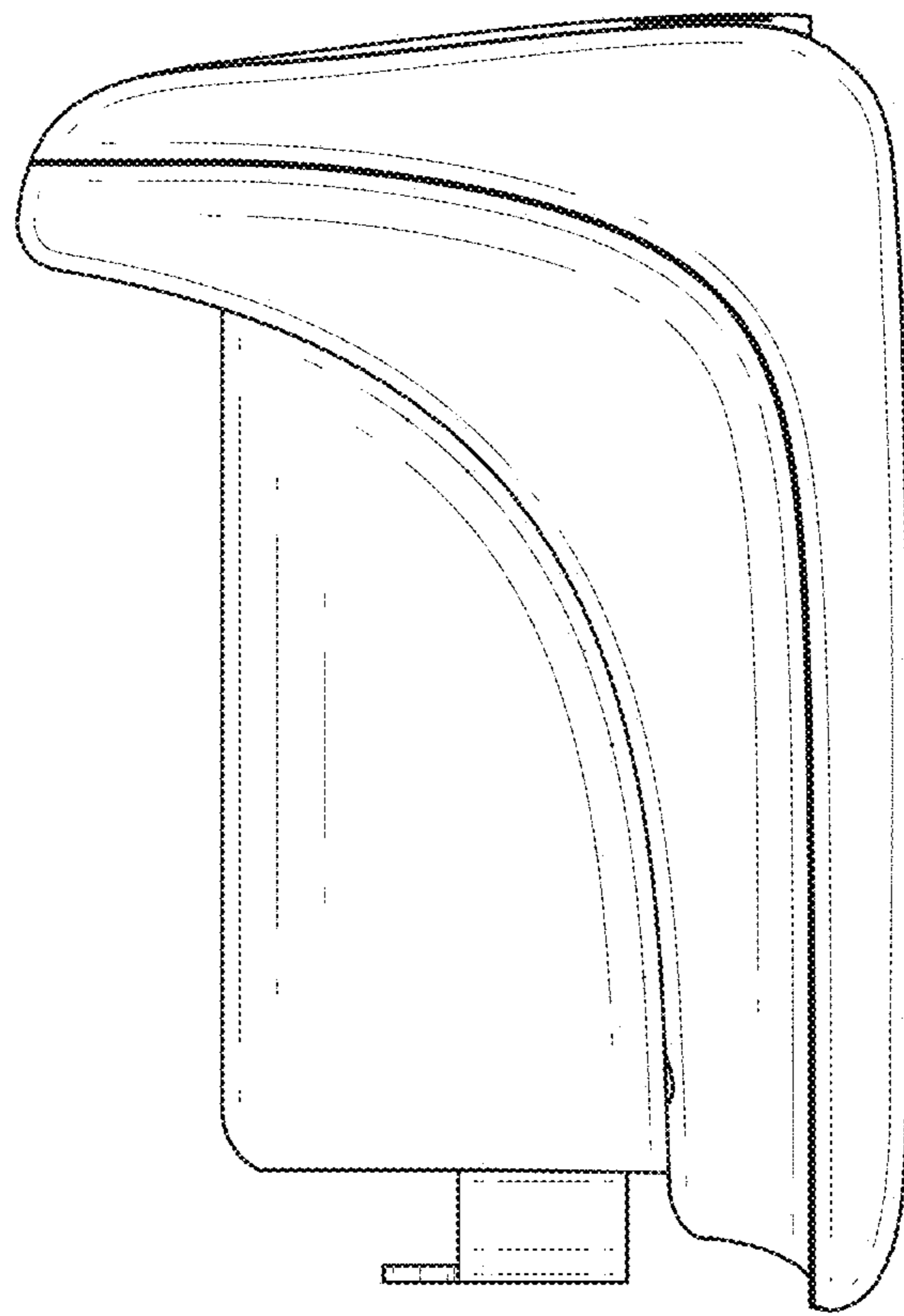


FIG. 4

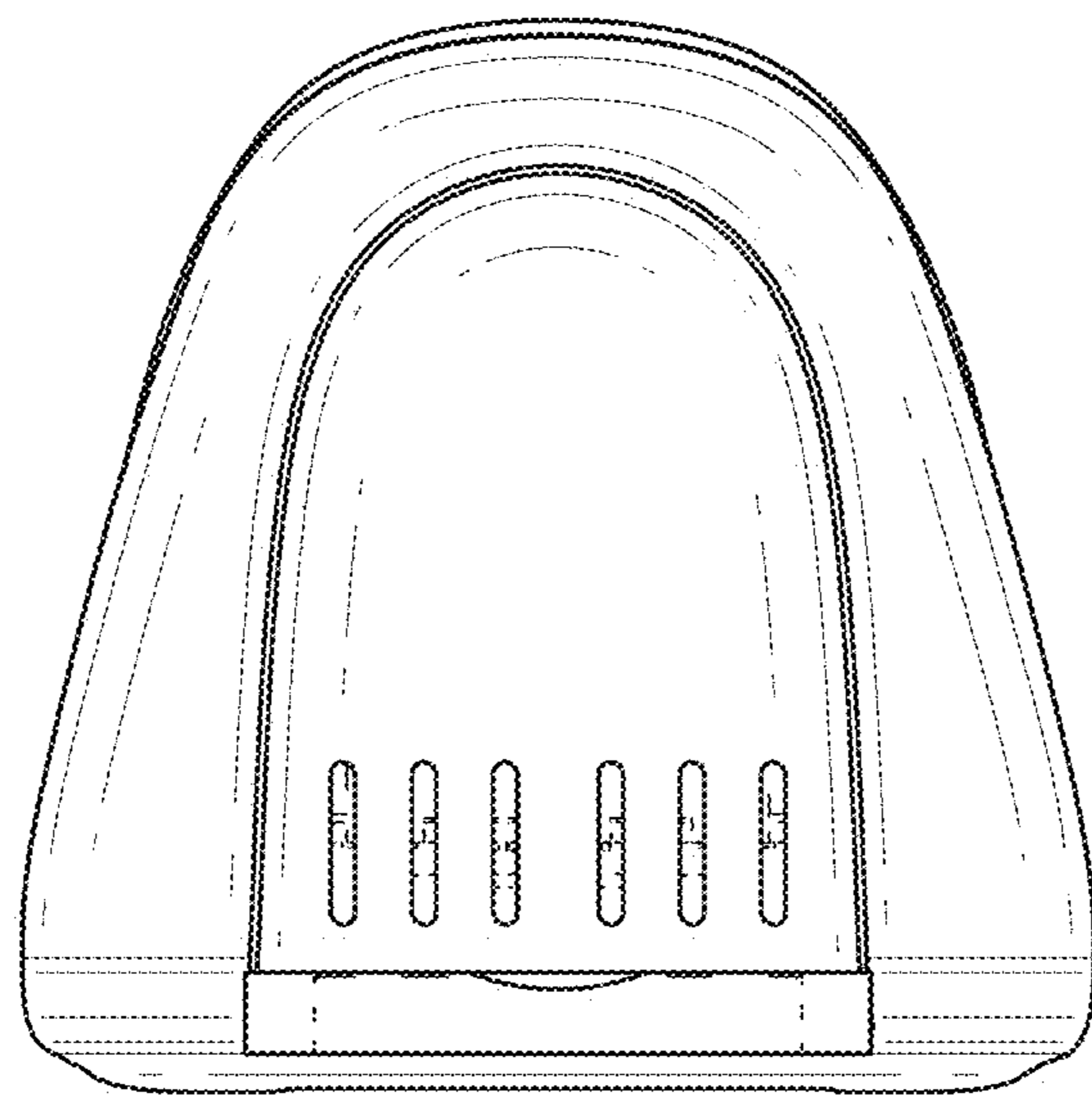


FIG. 5

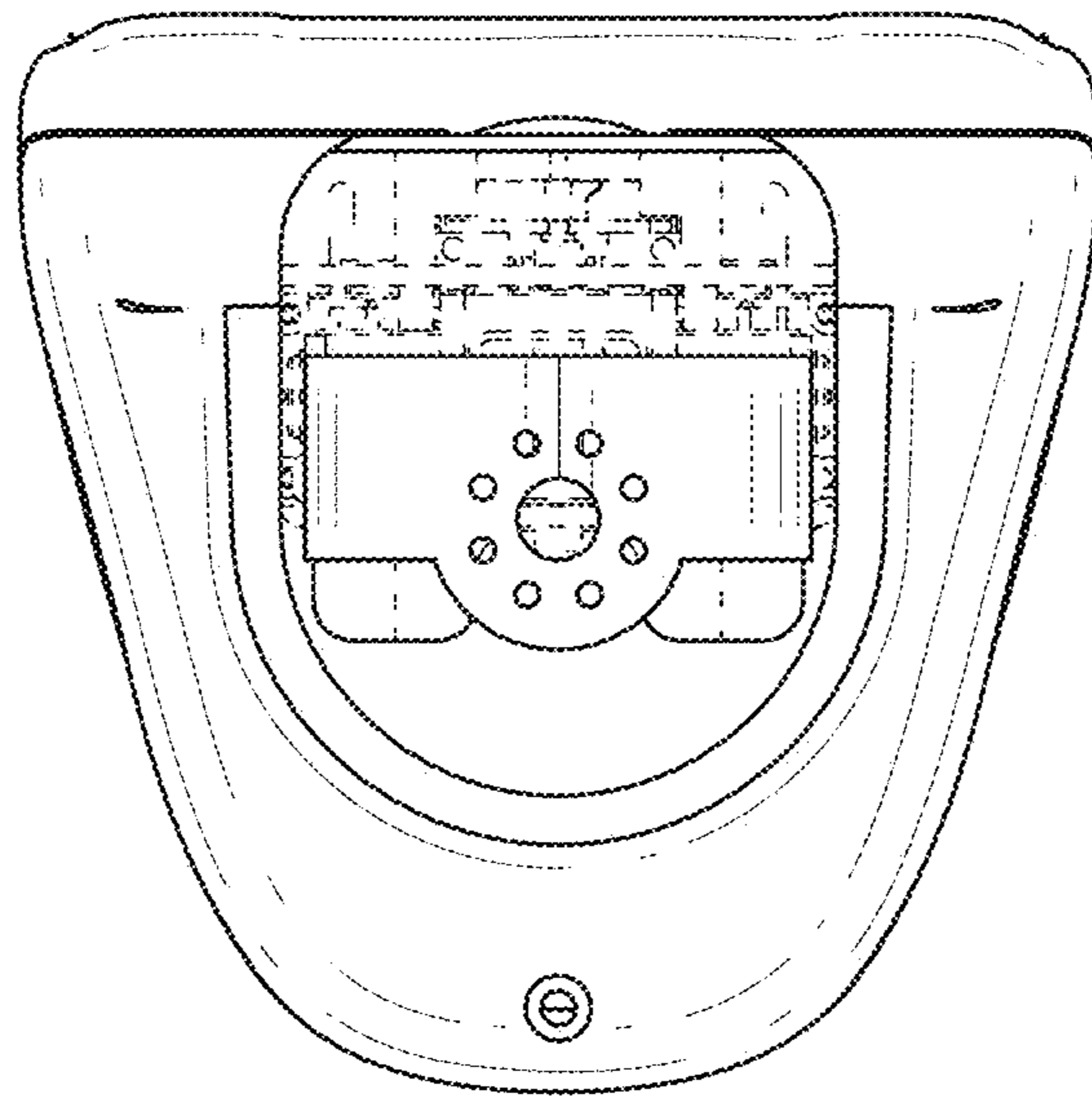


FIG. 6

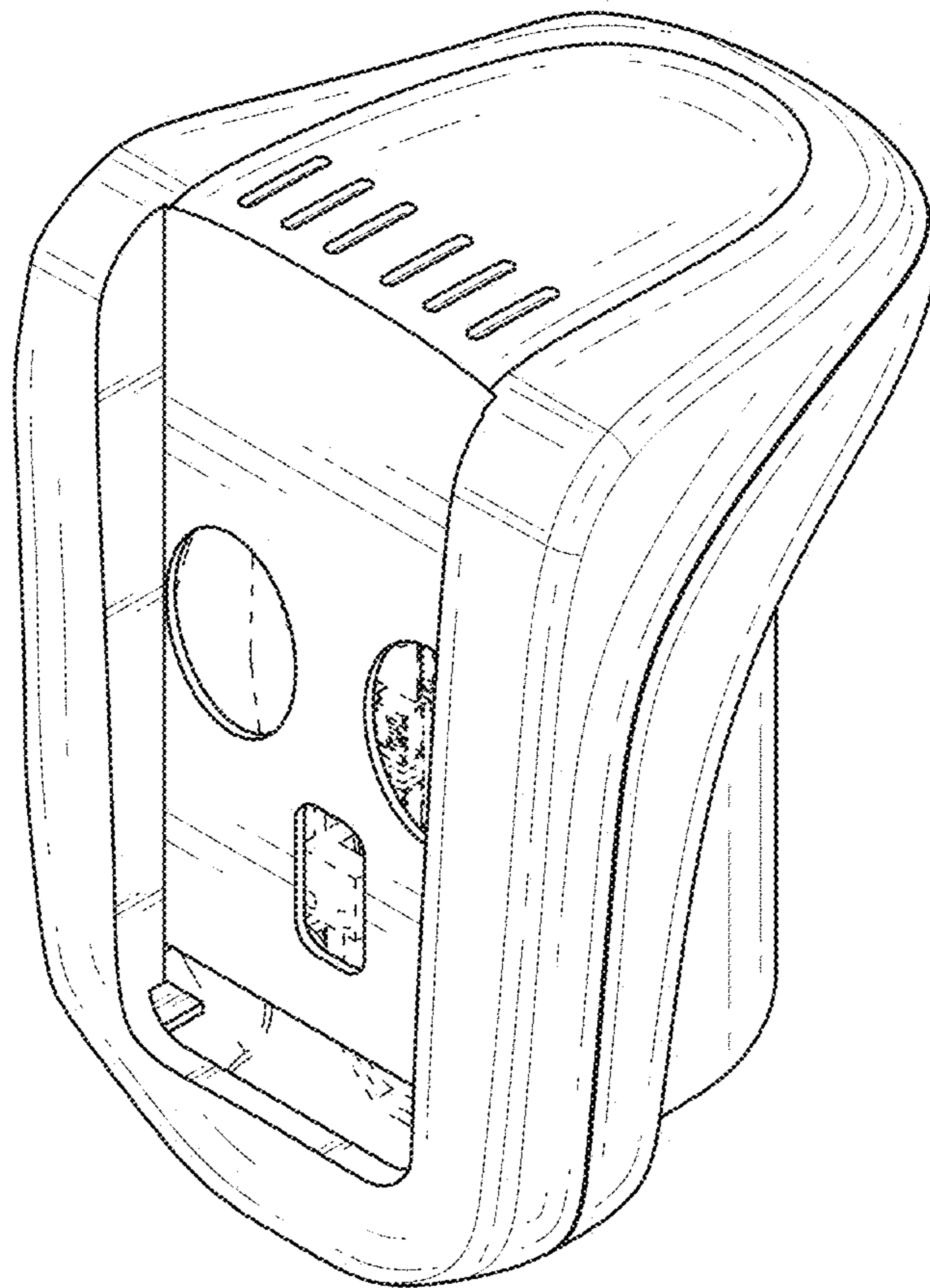


FIG. 7

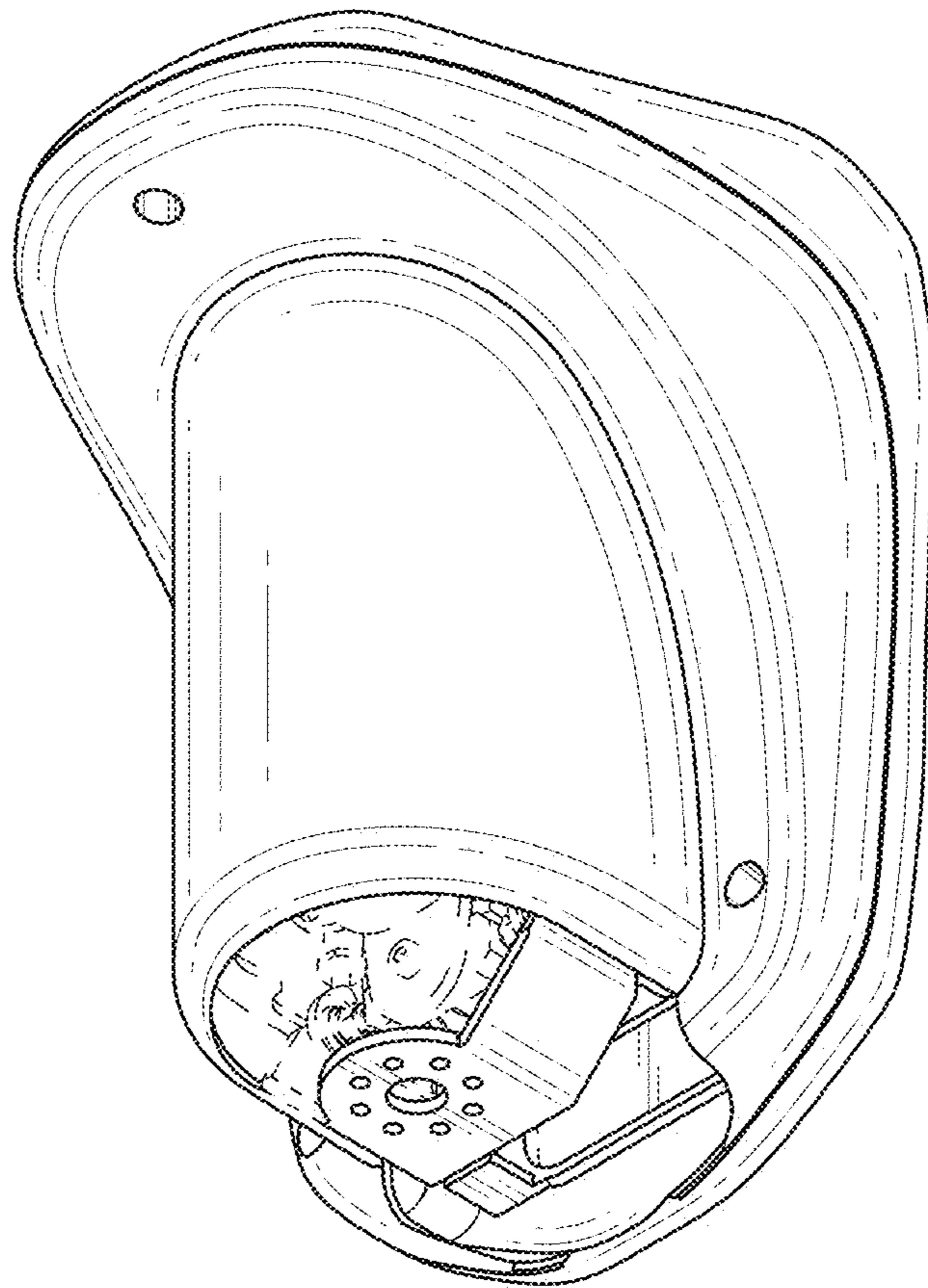


FIG. 8

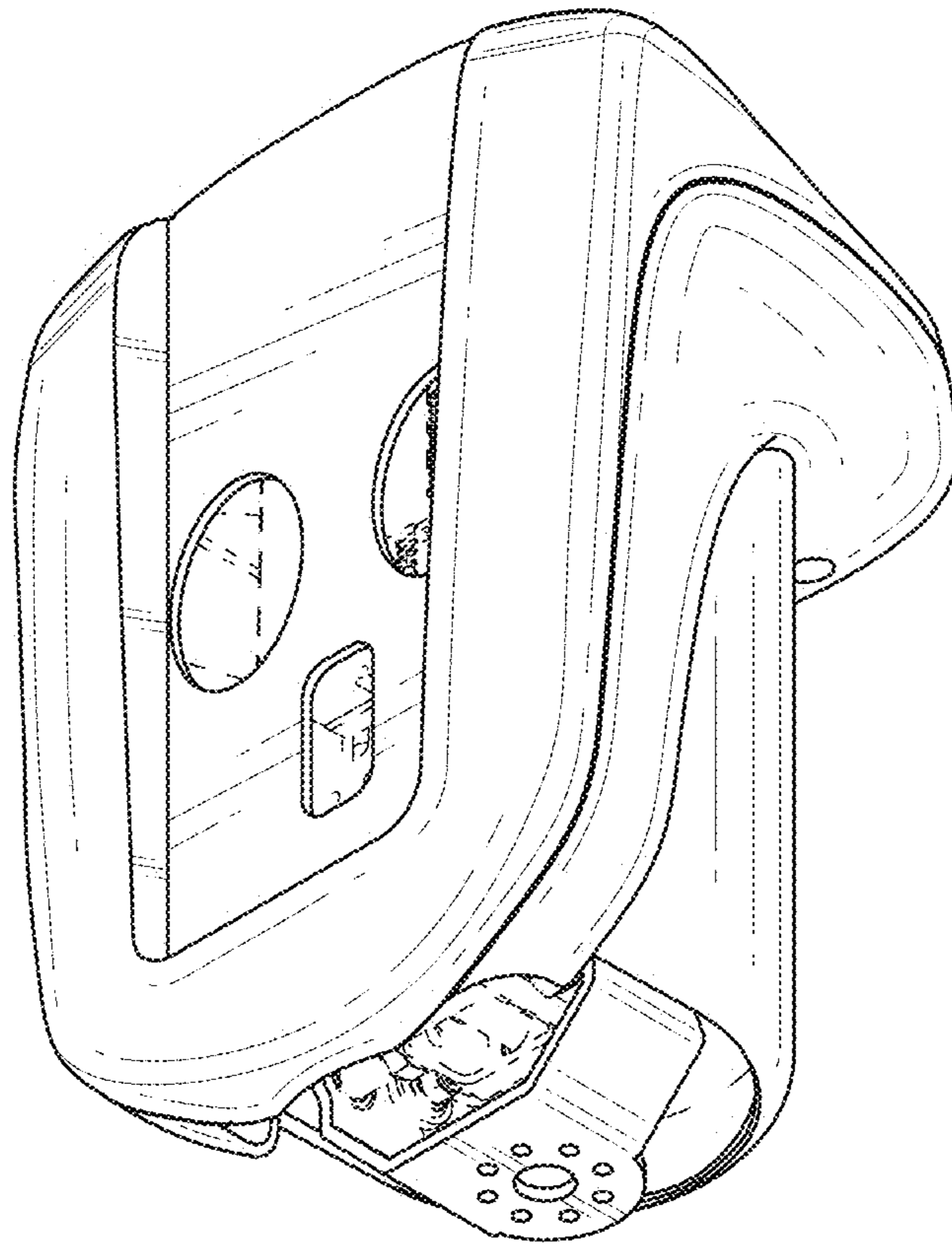


FIG. 9

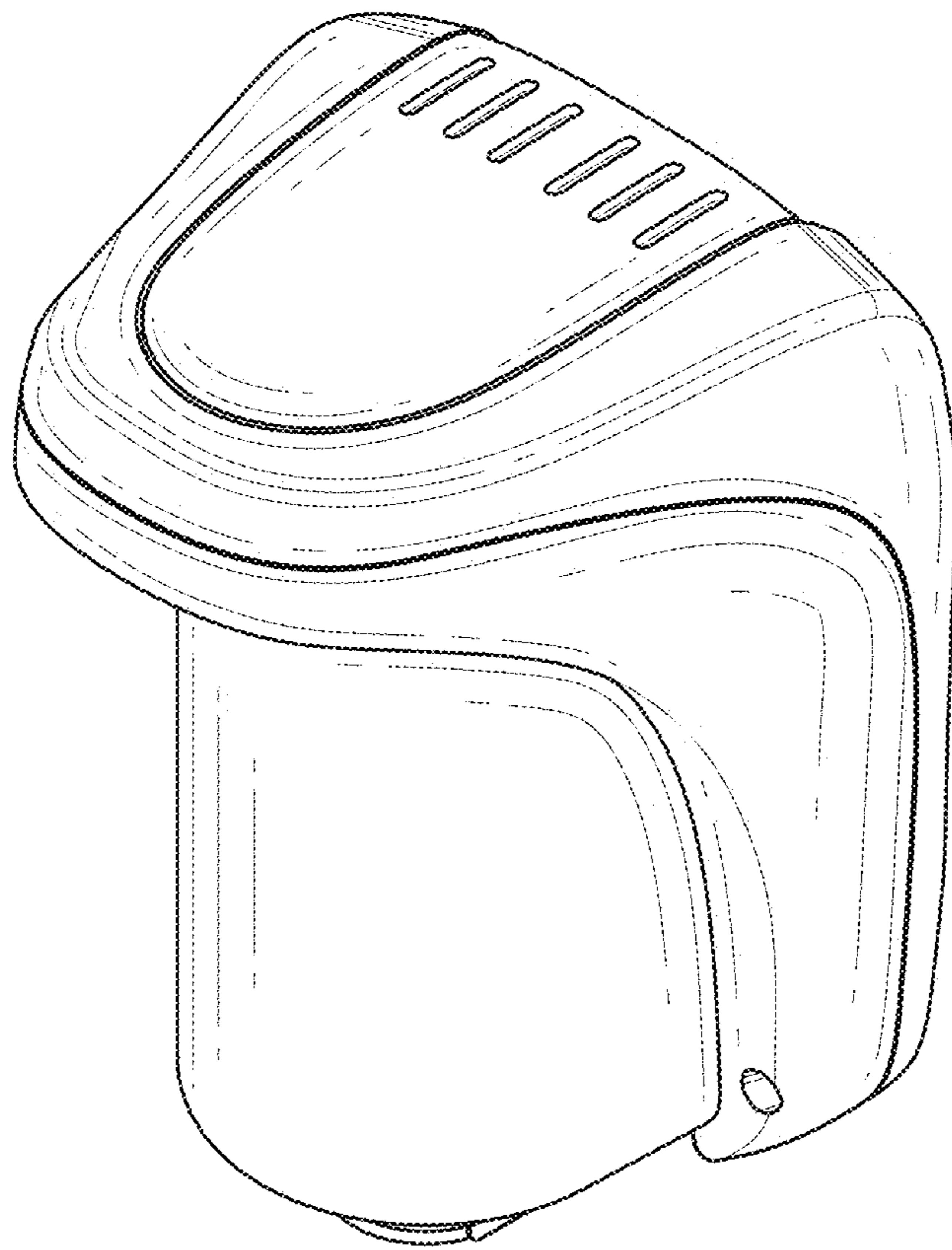


FIG. 10

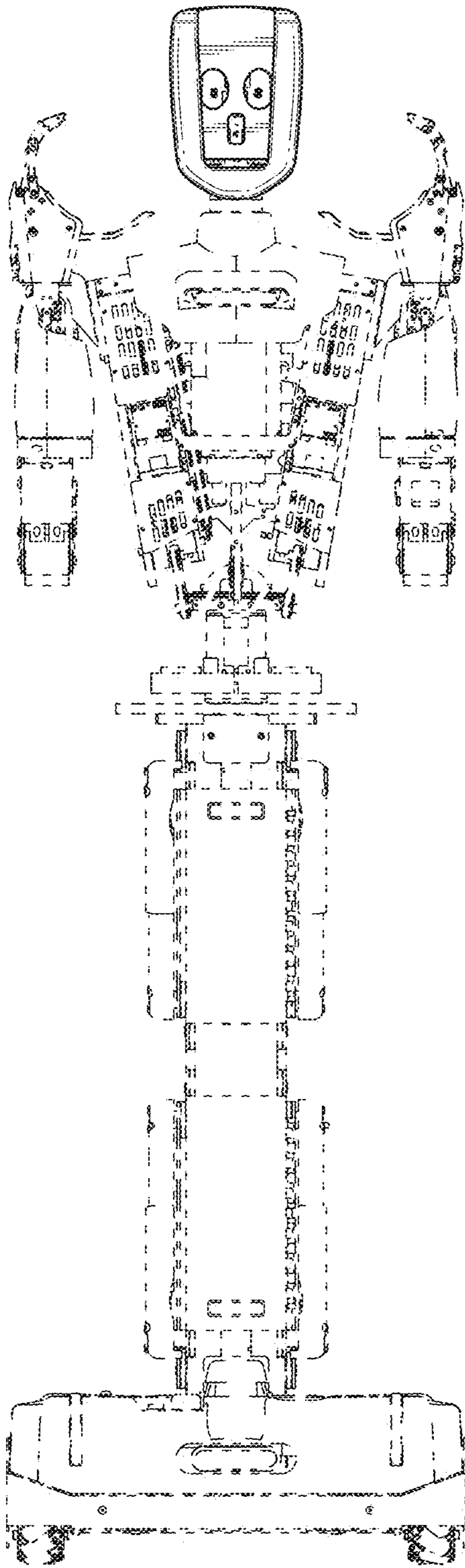


FIG. 11

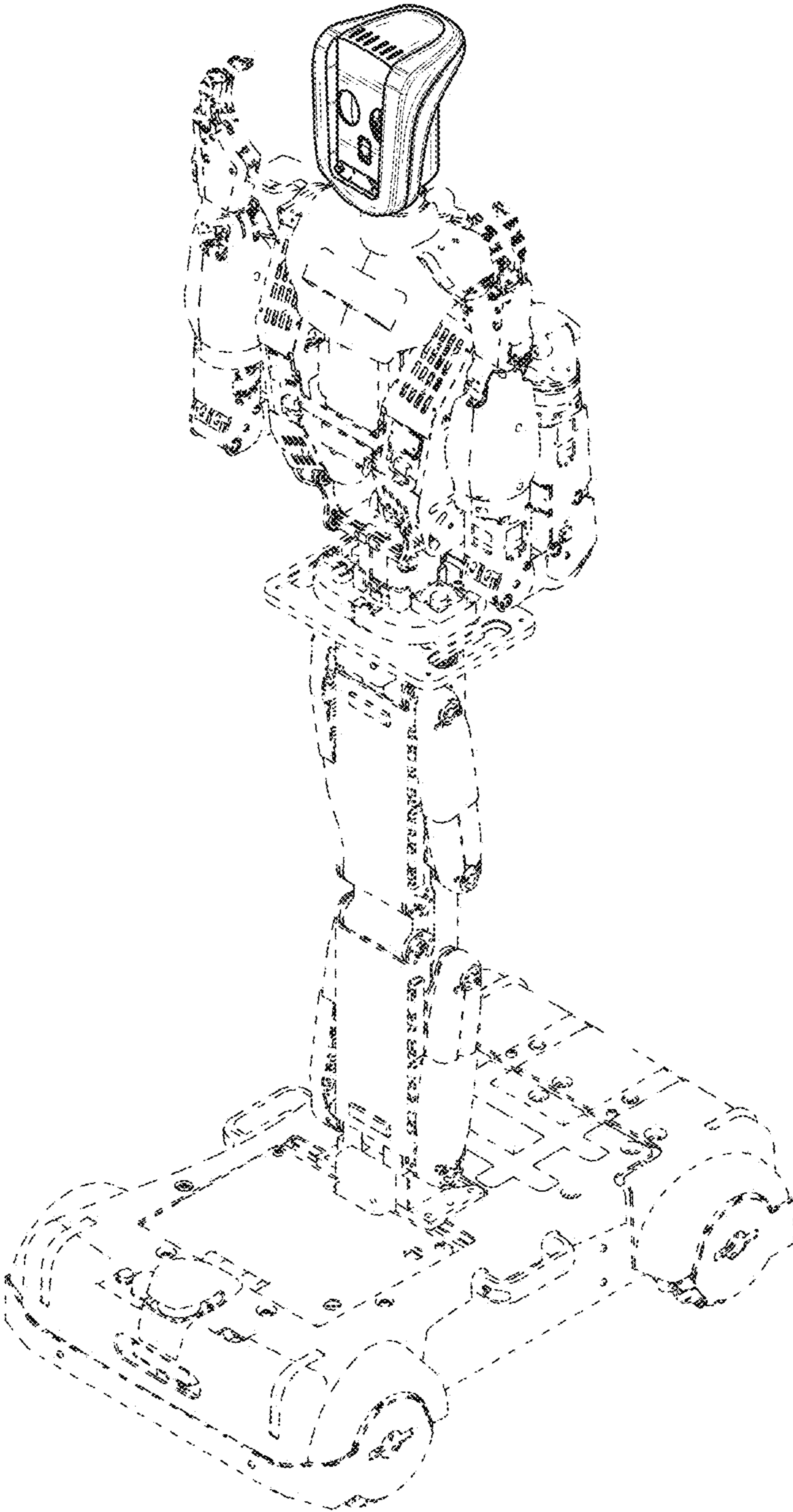


FIG. 12

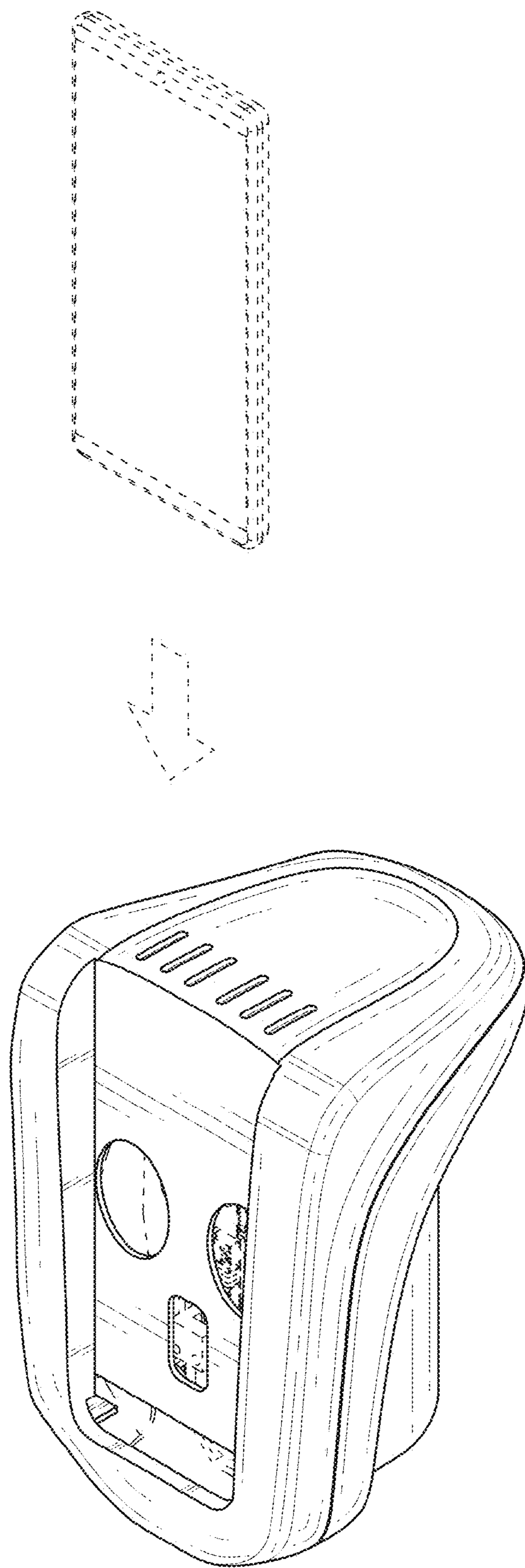


FIG. 13

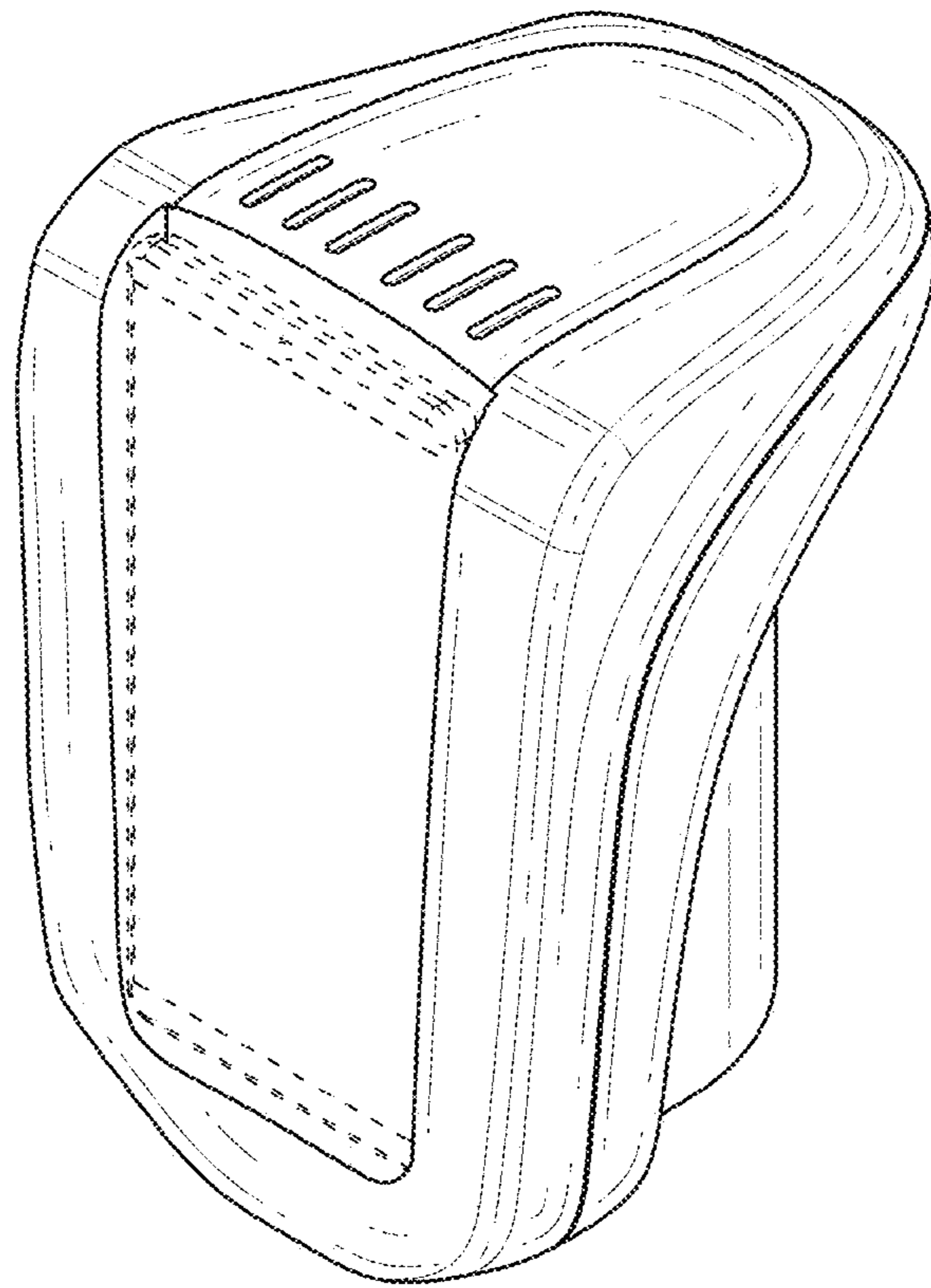


FIG. 14