

US00D966375S

(12) **United States Design Patent**
Huang et al.

(10) **Patent No.:** **US D966,375 S**
(45) **Date of Patent:** **** Oct. 11, 2022**

- (54) **DISH-RETURN DELIVERY ROBOT**
- (71) Applicant: **SHENZHEN PUDU TECHNOLOGY CO., LTD.**, Shenzhen (CN)
- (72) Inventors: **SiMin Huang**, Shenzhen (CN); **Tao Zhang**, Shenzhen (CN)
- (73) Assignee: **SHENZHEN PUDU TECHNOLOGY CO., LTD.**, Shenzhen (CN)
- (**) Term: **15 Years**
- (21) Appl. No.: **29/752,780**
- (22) Filed: **Sep. 29, 2020**

- D813,281 S * 3/2018 Kittmann D15/199
- D817,375 S * 5/2018 Deyle D15/199
- D819,712 S * 6/2018 Gee D15/199
- D820,334 S * 6/2018 Lee D15/199
- D829,250 S * 9/2018 Zilbershtein D15/199
- D829,251 S * 9/2018 Wang D15/199
- D829,252 S * 9/2018 Wang D15/199
- D829,793 S * 10/2018 Wang D15/199
- D840,451 S * 2/2019 Yoo D15/199
- D840,452 S * 2/2019 Yoo D15/199
- D841,067 S * 2/2019 Camporesi D15/199
- D851,148 S * 6/2019 Wang D15/199
- D908,151 S * 1/2021 Song D15/199
- D913,349 S * 3/2021 Yao D15/199
- D915,486 S * 4/2021 Gidwell D15/199
- D919,687 S * 5/2021 Song D15/199
- D920,410 S * 5/2021 Chen D15/199
- D920,411 S * 5/2021 Zheng D15/199

(Continued)

(30) **Foreign Application Priority Data**

Apr. 4, 2020 (CN) 202030129061.4

(51) **LOC (13) Cl.** **15-99**

(52) **U.S. Cl.**
USPC **D15/199**

(58) **Field of Classification Search**
USPC D12/1, 308; D14/900-902; D15/199;
D21/398, 424, 456, 467, 493, 495,
D21/533-539, 578, 579, 585, 593, 594;
D32/21
CPC B25J 9/0003; B25J 11/008; B25J 5/007;
B25J 9/1697; G06F 19/3418; G05D
2201/0207; Y10S 901/01; Y10S 901/46
See application file for complete search history.

(56) **References Cited**

U.S. PATENT DOCUMENTS

- D549,756 S * 8/2007 Park
- D675,656 S * 2/2013 Sutherland
- D677,344 S * 3/2013 Petersen
- D766,644 S * 9/2016 Huang
- D799,575 S * 10/2017 Tang
- D802,040 S * 11/2017 Canoso D15/199

Primary Examiner — Garth Rademaker
Assistant Examiner — Fitzgerald L Butac

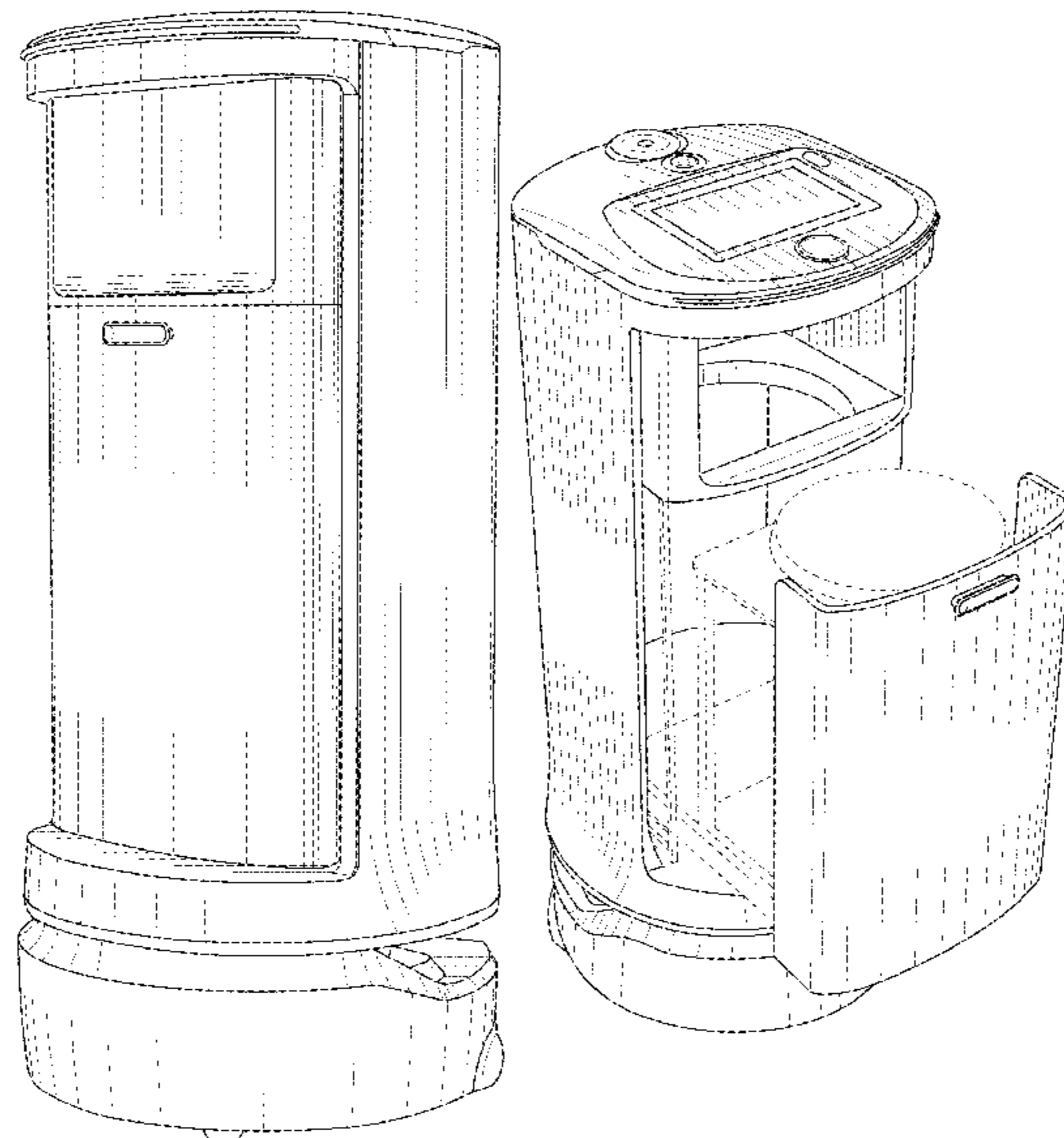
(57) **CLAIM**

The ornamental design for a dish-return delivery robot, as shown and described.

DESCRIPTION

FIG. 1 is a front view of a dish-return delivery robot, showing the new design;
FIG. 2 is a rear view thereof;
FIG. 3 is a left-side view thereof;
FIG. 4 is a right-side view thereof;
FIG. 5 is a top view thereof;
FIG. 6 is a bottom view thereof;
FIG. 7 is a front perspective view thereof;
FIG. 8 is a rear perspective view thereof; and,
FIG. 9 is a perspective view of a dish-return delivery robot, in an opened state.
The broken lines show portions of a dish-return delivery robot which form no part of the claimed design.

1 Claim, 9 Drawing Sheets



(56)

References Cited

U.S. PATENT DOCUMENTS

D921,080 S	*	6/2021	Chen	D15/199
D921,081 S	*	6/2021	LaPlante	D15/199
D921,083 S	*	6/2021	Hernandez	D15/199
D922,465 S	*	6/2021	Lee	B25J 11/00 D15/199
D923,681 S	*	6/2021	Lee	G05D 1/024 D15/199
D930,728 S	*	9/2021	Yao	D15/199
D931,921 S	*	9/2021	Haddadin	D15/199

* cited by examiner

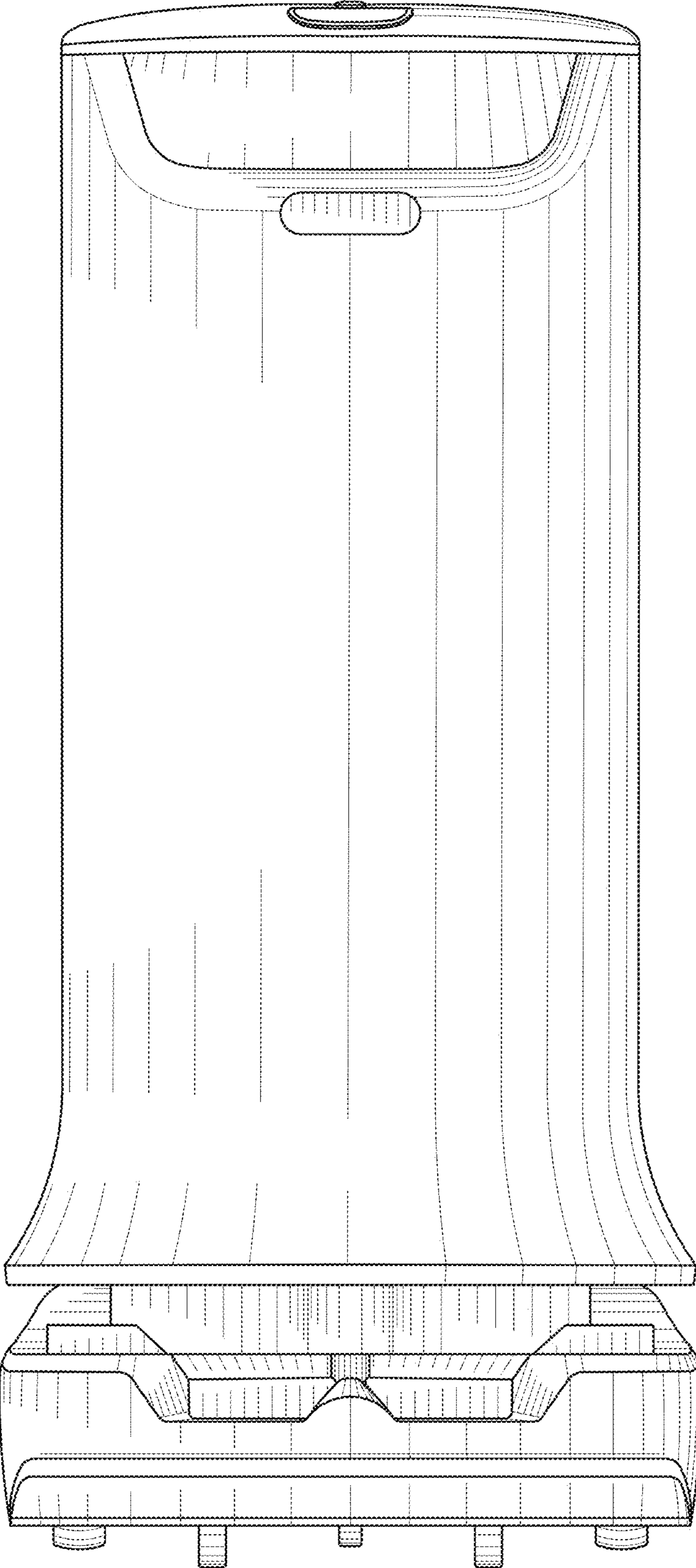


FIG. 1

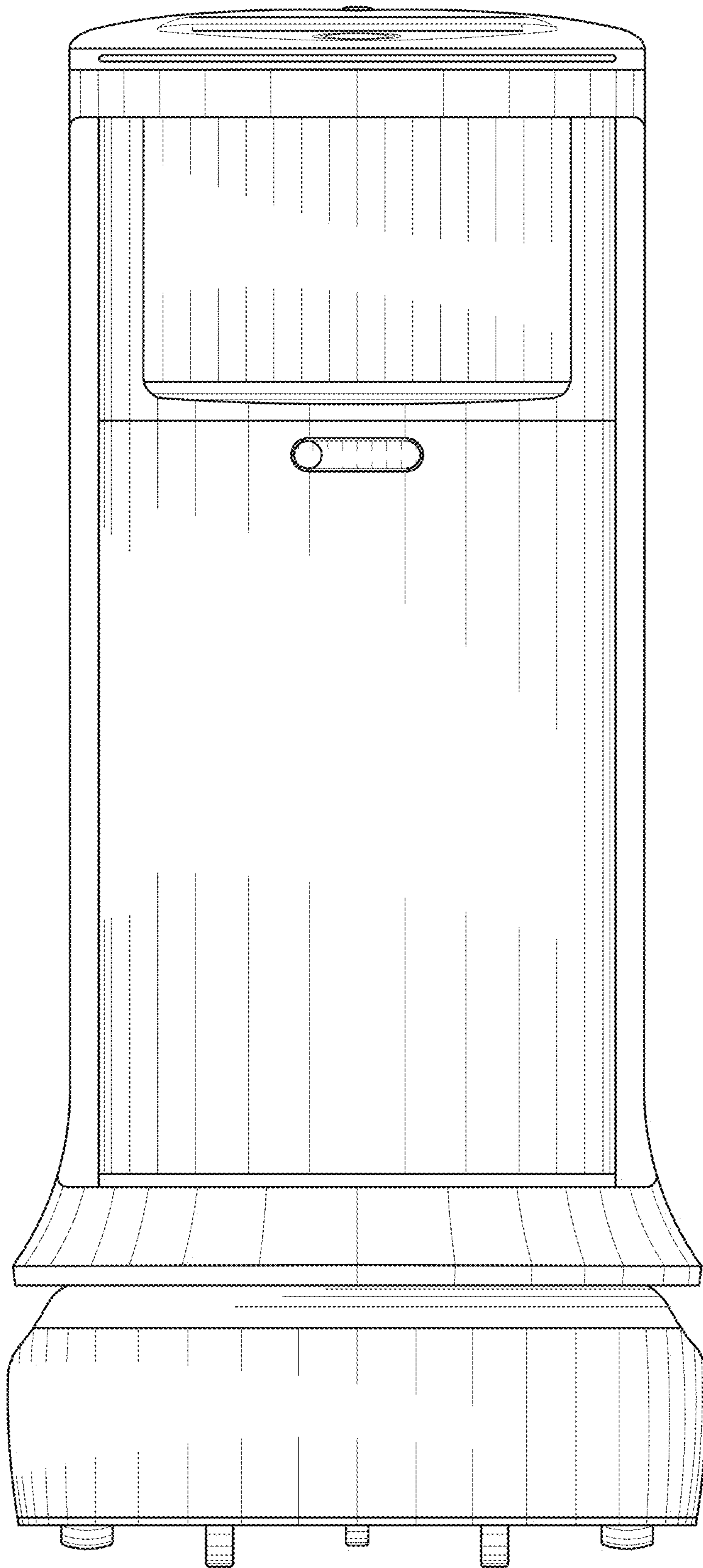


FIG. 2

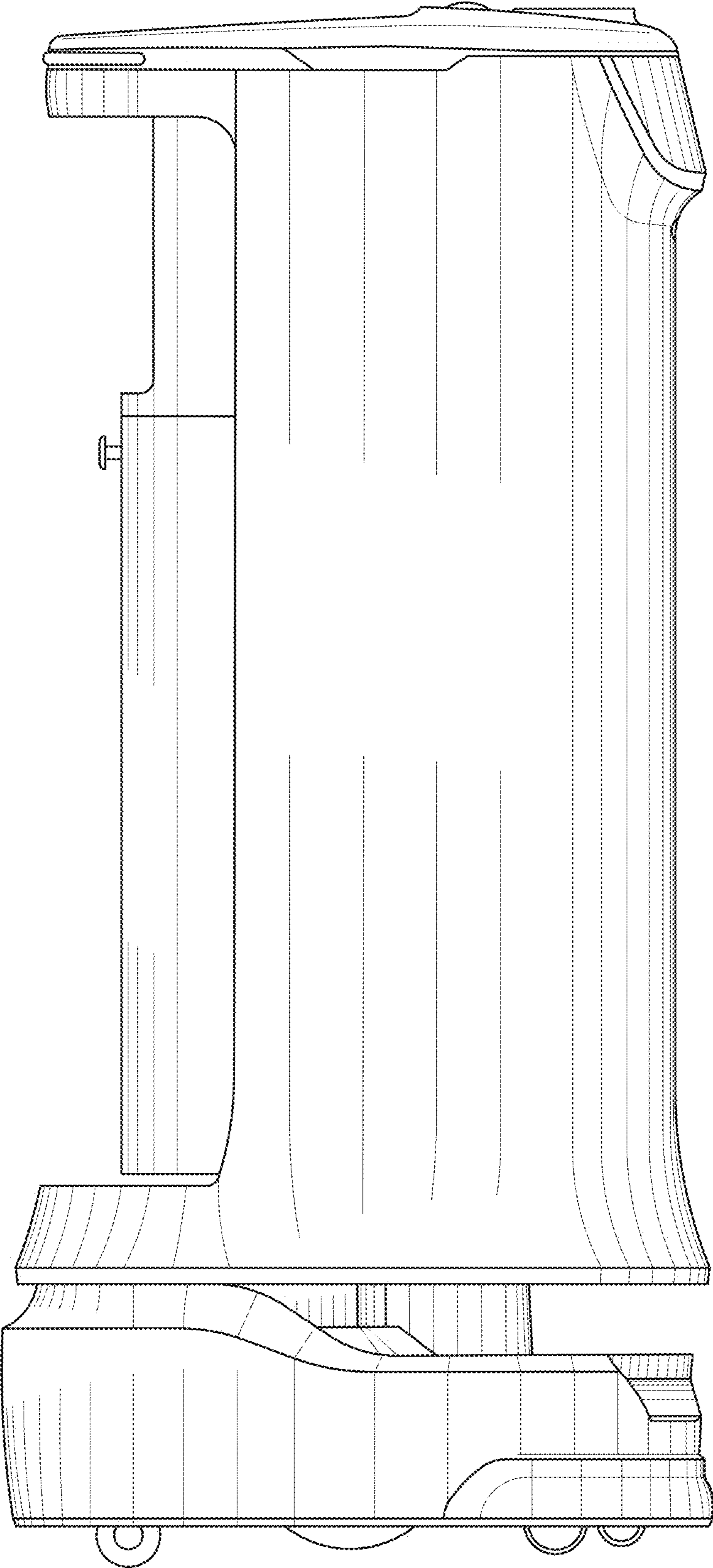


FIG. 3

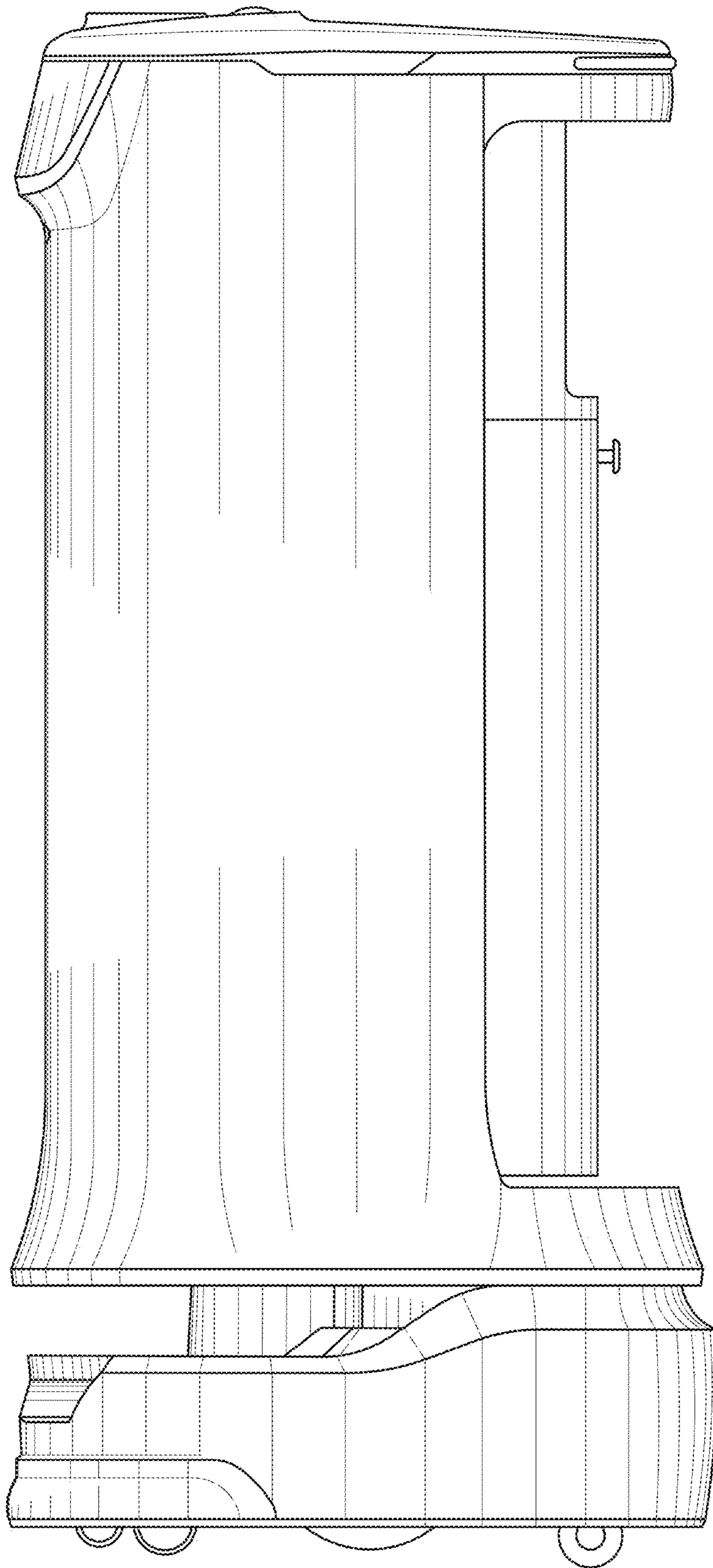


FIG. 4

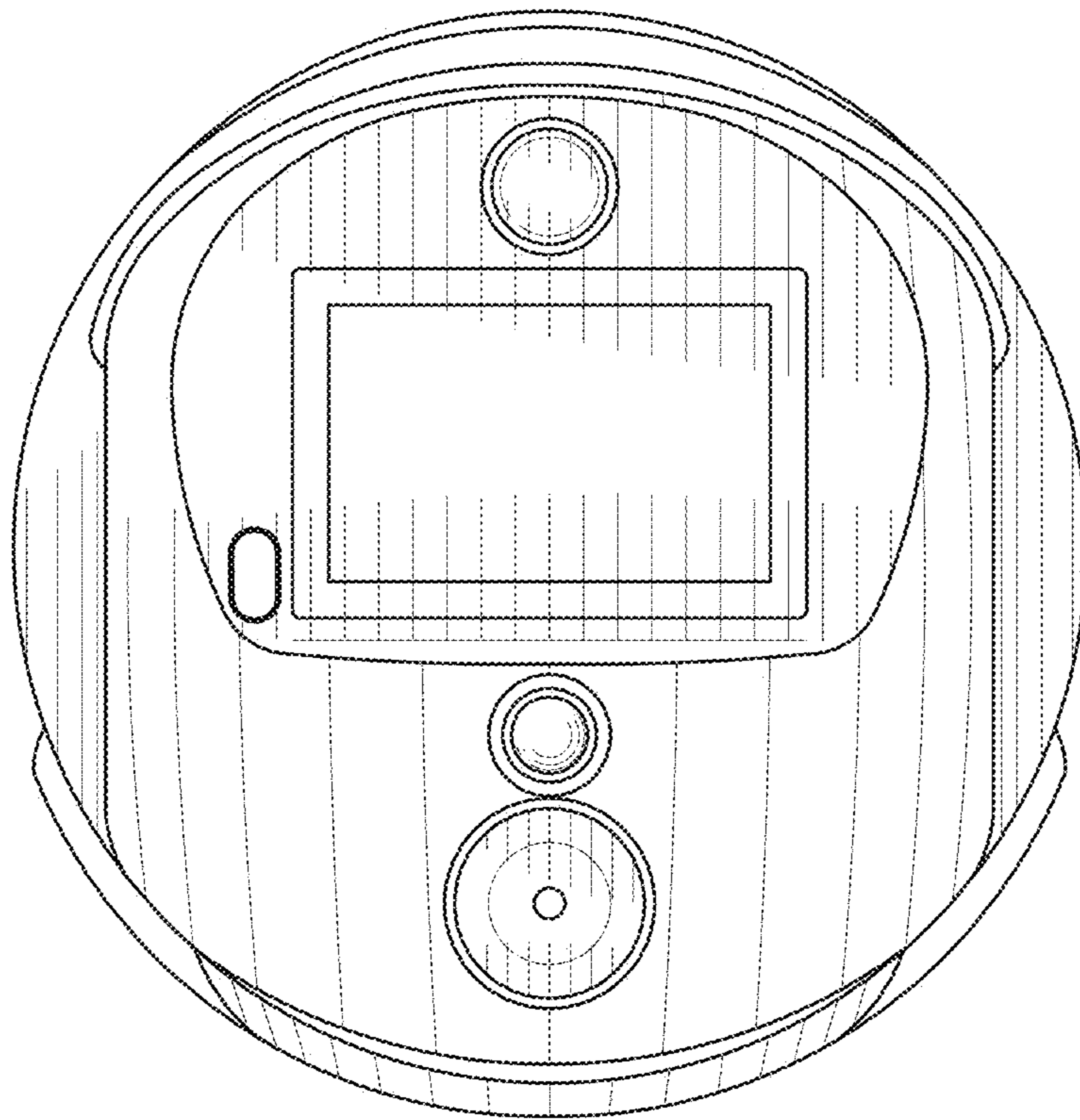


FIG. 5

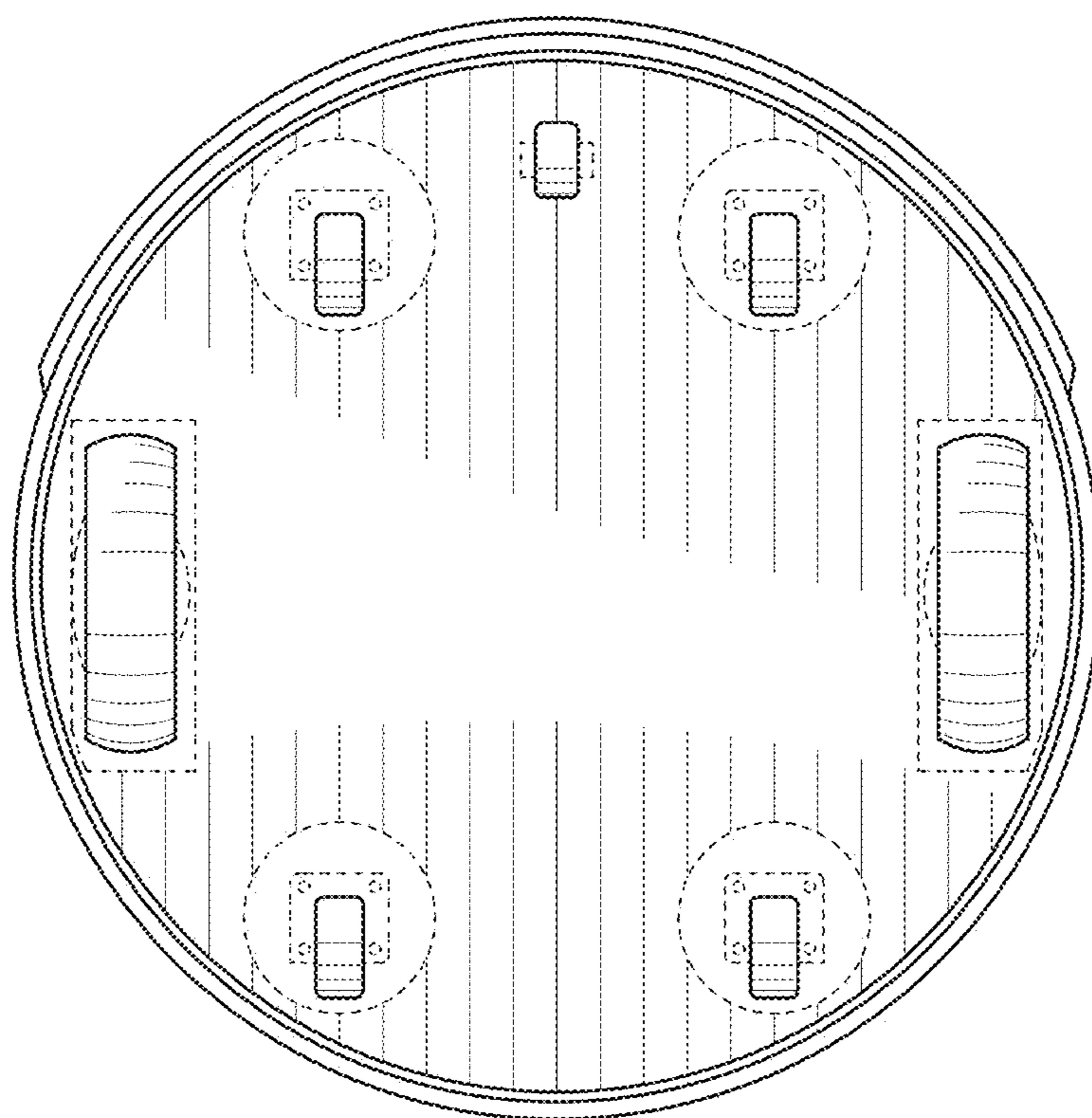


FIG. 6

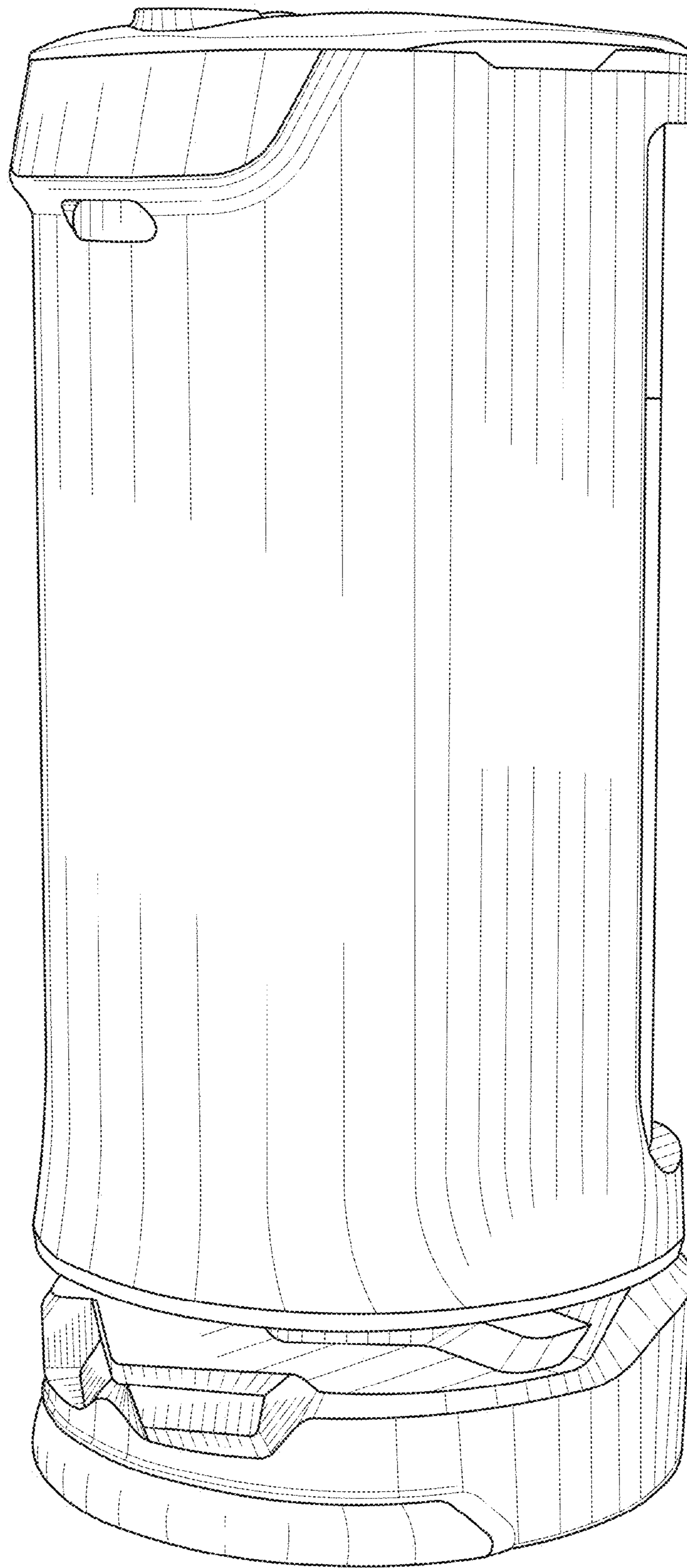


FIG. 7

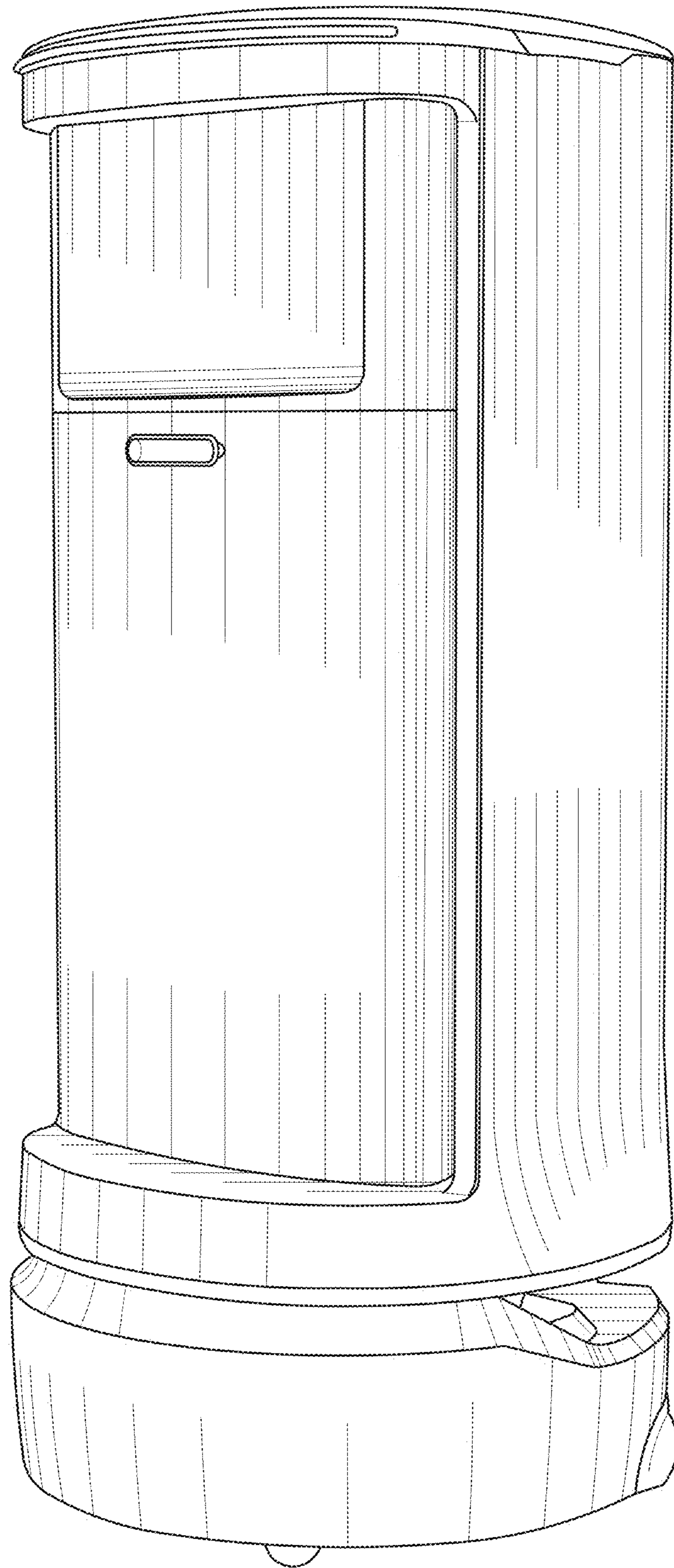


FIG. 8

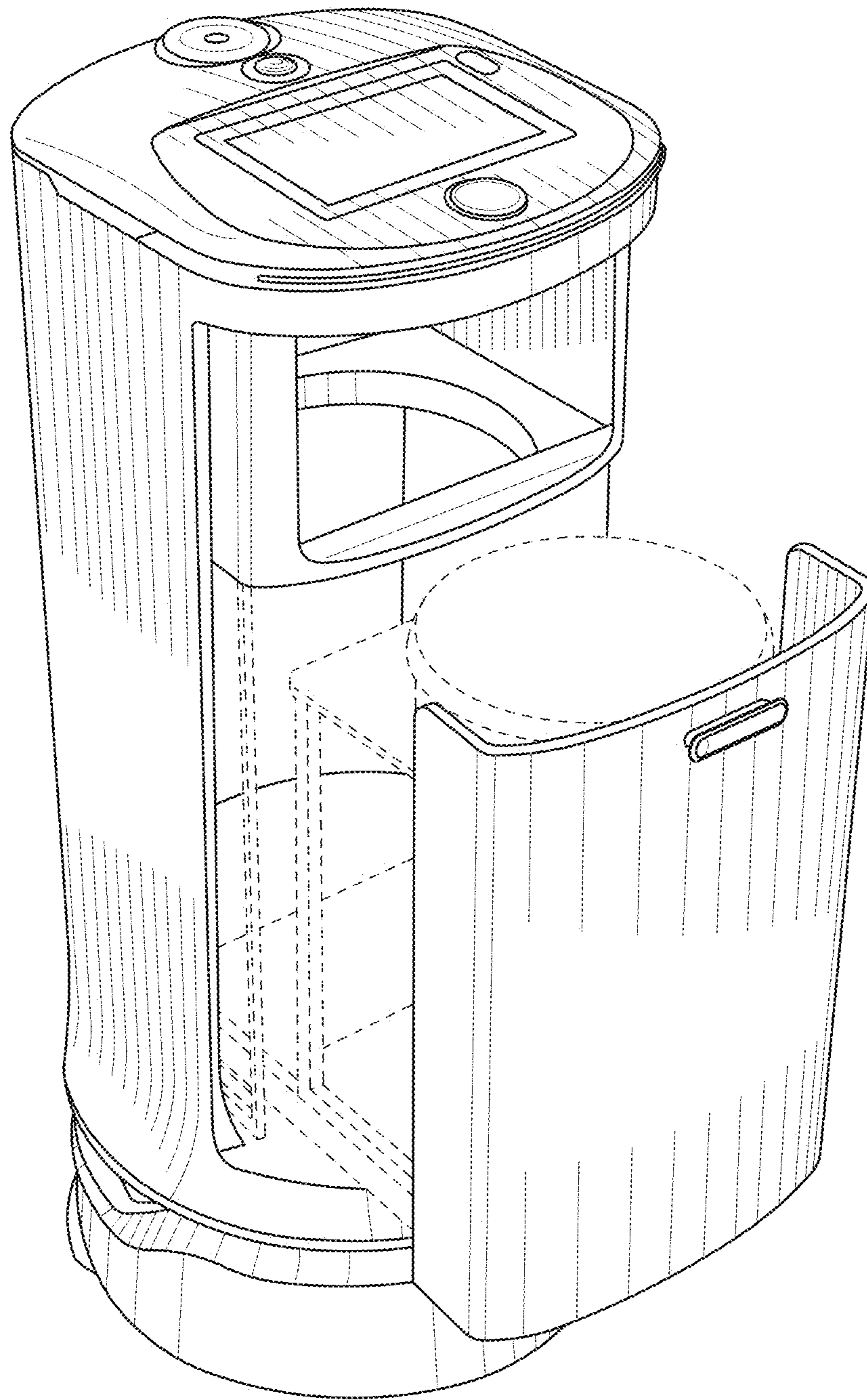


FIG. 9