



US00D966374S

(12) **United States Design Patent**
Jesiolowski

(10) **Patent No.:** **US D966,374 S**

(45) **Date of Patent:** **** Oct. 11, 2022**

(54) **HOUSING**

(71) Applicant: **Teledyne FLIR Detection, Inc.**,
Stillwater, OK (US)

(72) Inventor: **Jordan D. Jesiolowski**, Chelmsford,
MA (US)

(73) Assignee: **Teledyne FLIR Detection, Inc.**,
Stillwater, OK (US)

(**) Term: **15 Years**

(21) Appl. No.: **29/752,287**

(22) Filed: **Sep. 25, 2020**

(51) **LOC (13) Cl.** **15-99**

(52) **U.S. Cl.**
USPC **D15/199**

(58) **Field of Classification Search**
USPC D8/14, 16, 19, 21, 82-86, 107, 34, 300,
D8/303, 314, 372, 374, 394; D15/126,
D15/138, 145, 199; D24/133, 143, 146,
D24/134, 137, 138, 142, 200;
D12/128-133; D21/360-362, 364, 354,
D21/398, 383, 399, 414, 578, 533
CPC A61B 1/00087; A61B 1/00147; A61B
1/00193; A61B 1/041; A61B 5/6882
See application file for complete search history.

(56) **References Cited**

U.S. PATENT DOCUMENTS

D746,353 S *	12/2015	Woodman	D16/243
D753,210 S *	4/2016	Gorsuch	D16/242
D757,843 S *	5/2016	Gorsuch	D16/242
D785,074 S *	4/2017	Woodman	D16/243
9,910,342 B2	3/2018	Samuels et al.		
D822,671 S *	7/2018	Chu	D14/452
D841,707 S *	2/2019	Yamamoto	D15/199
D841,712 S *	2/2019	Hontani	D15/199
D844,039 S *	3/2019	Yoon	D15/199

D853,466 S *	7/2019	DeMarino	D16/243
10,486,311 B2 *	11/2019	Mozeika	B25J 13/006
10,486,757 B2 *	11/2019	Ohm	B62D 55/24
10,514,693 B2 *	12/2019	Field	G05D 1/0088

(Continued)

Primary Examiner — Michael C Stout

Assistant Examiner — Fritzgerald L Butac

(74) *Attorney, Agent, or Firm* — Haynes and Boone, LLP

(57) **CLAIM**

The ornamental design for a housing, as shown and described.

DESCRIPTION

This U.S. Design Patent Application is related to U.S. Design patent application Ser. No. 29/752,282 filed Sep. 25, 2020 and entitled “Inspection System”, which is incorporated herein by reference in its entirety.

FIG. 1 is a front, left, and top perspective view of the housing embodying the new design;

FIG. 2 is a rear, right, and bottom perspective view thereof;

FIG. 3 is a front elevational view thereof;

FIG. 4 is a rear elevational view thereof;

FIG. 5 is a left side elevational view thereof;

FIG. 6 is a right side elevational view thereof;

FIG. 7 is a top plan view thereof;

FIG. 8 is a bottom plan view thereof;

FIG. 9 is a front, right, and top perspective view thereof of the housing mounted to a mobile device (e.g., a mobile robot);

FIG. 10 is a front elevational view thereof; and,

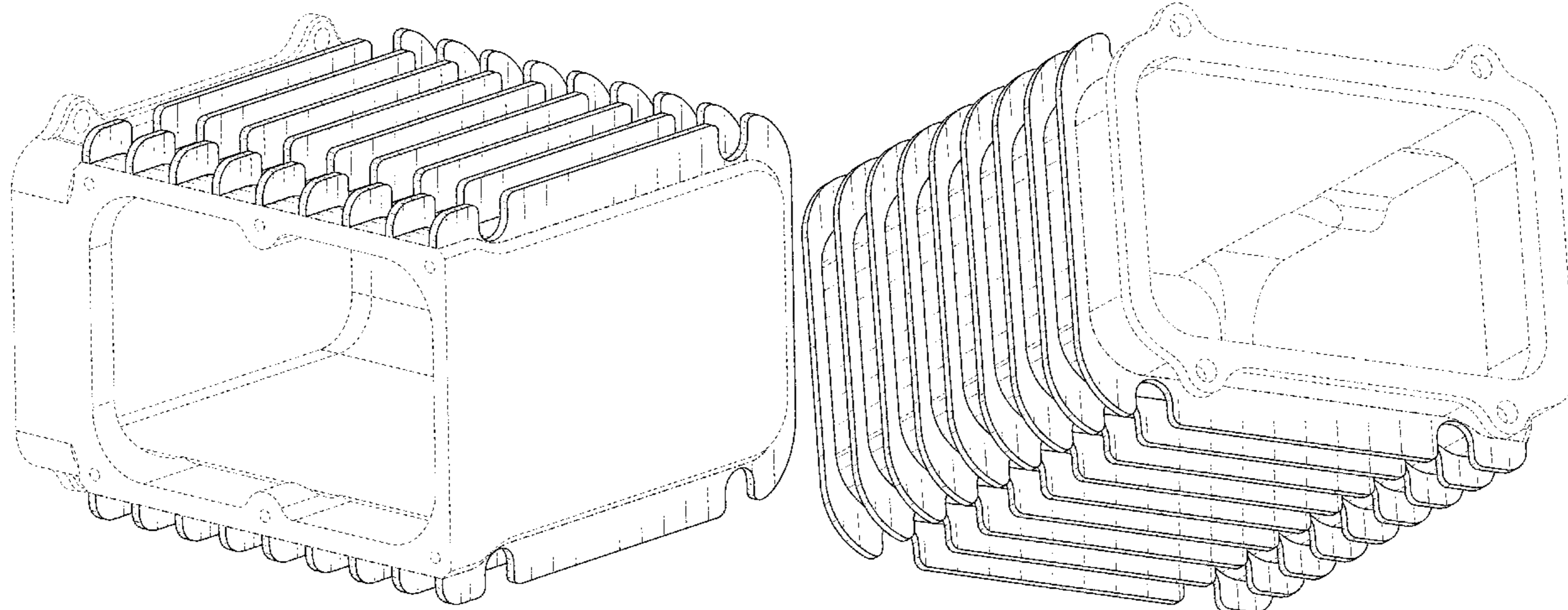
FIG. 11 is a left side elevational view thereof.

The broken lines show portions of a housing which form no part of the claimed design.

The broken lines seen in FIGS. 9, 10, and 11 are for the purpose of showing environmental structure, and form no part of the claimed design.

The “dot-dash” broken lines define the bounds of the claimed design, and form no part thereof.

1 Claim, 11 Drawing Sheets



(56)

References Cited

U.S. PATENT DOCUMENTS

D873,878	S	*	1/2020	Vazquez	D15/199
D874,530	S	*	2/2020	Haddadin	D15/199
D877,787	S	*	3/2020	Kinoshita	D15/199
D882,655	S	*	4/2020	Kouthoofd	D15/199
D883,352	S	*	5/2020	Abe	D15/199
D885,452	S	*	5/2020	Haddadin	D15/199
D891,497	S	*	7/2020	Kouthoofd	D15/199
D892,885	S	*	8/2020	Corkum	D15/199
10,843,331	B2	*	11/2020	Mozeika	B25J 5/005
D906,392	S	*	12/2020	Wappler	D15/199
D911,408	S	*	2/2021	Okada	D15/199
D912,117	S	*	3/2021	Berkowitz	D15/199
D913,350	S	*	3/2021	Gupta	D15/199
D914,780	S	*	3/2021	Hammers	D15/199
D915,487	S	*	4/2021	Sell	D15/199
D929,481	S	*	8/2021	Martin	B25J 9/102
						D15/199
D932,530	S	*	10/2021	LaPlante	D15/199

* cited by examiner

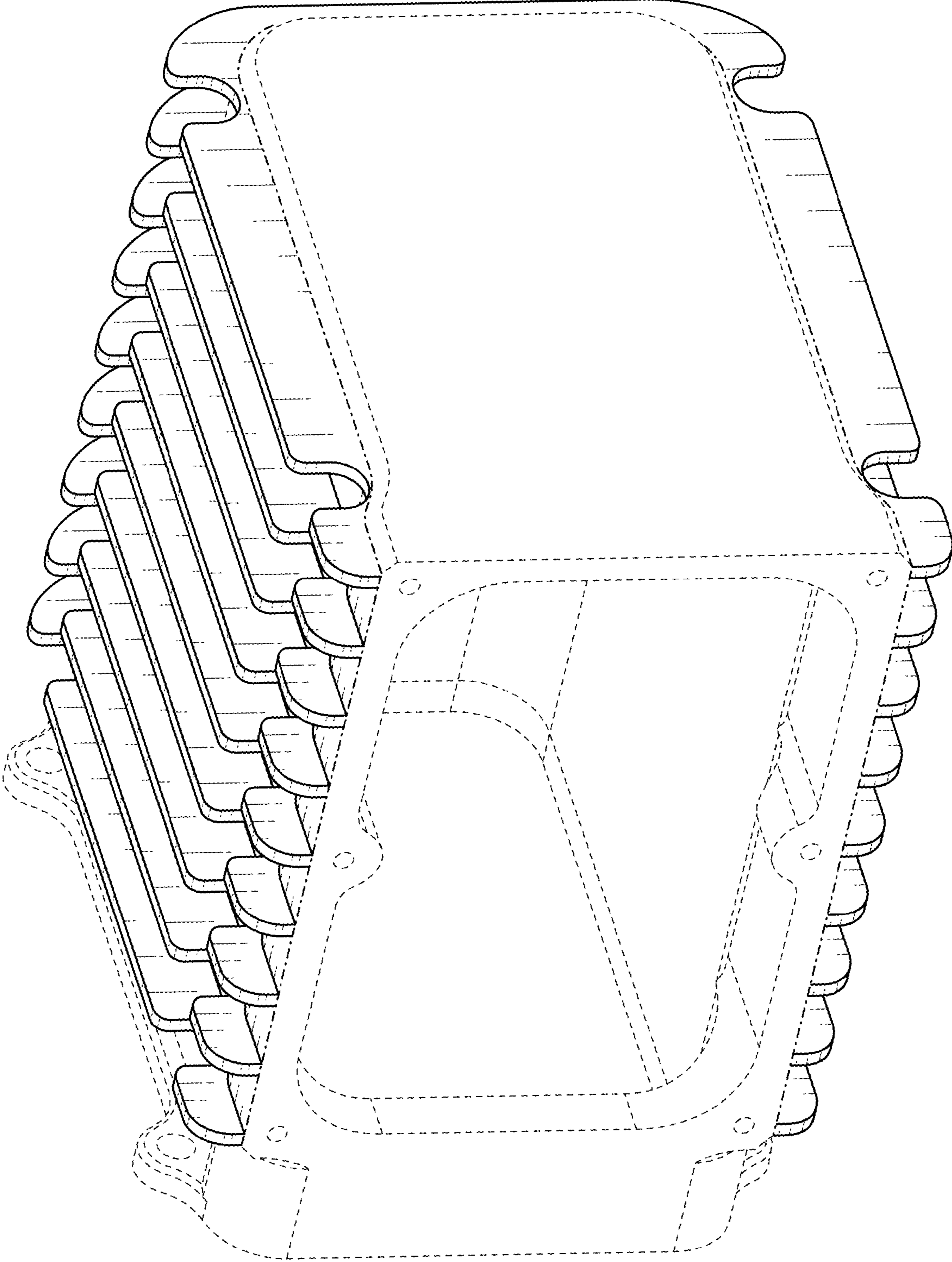


FIG. 1

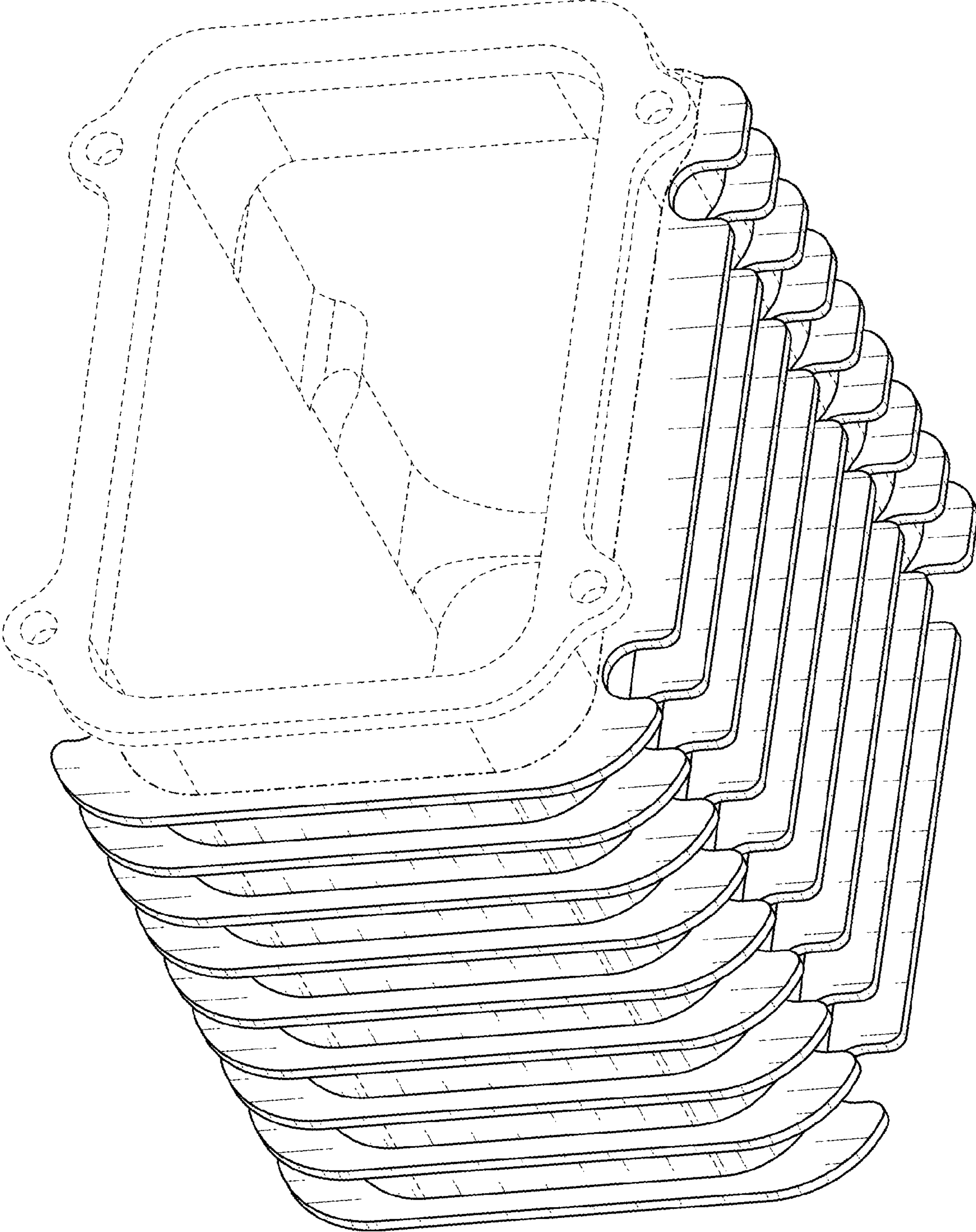


FIG. 2

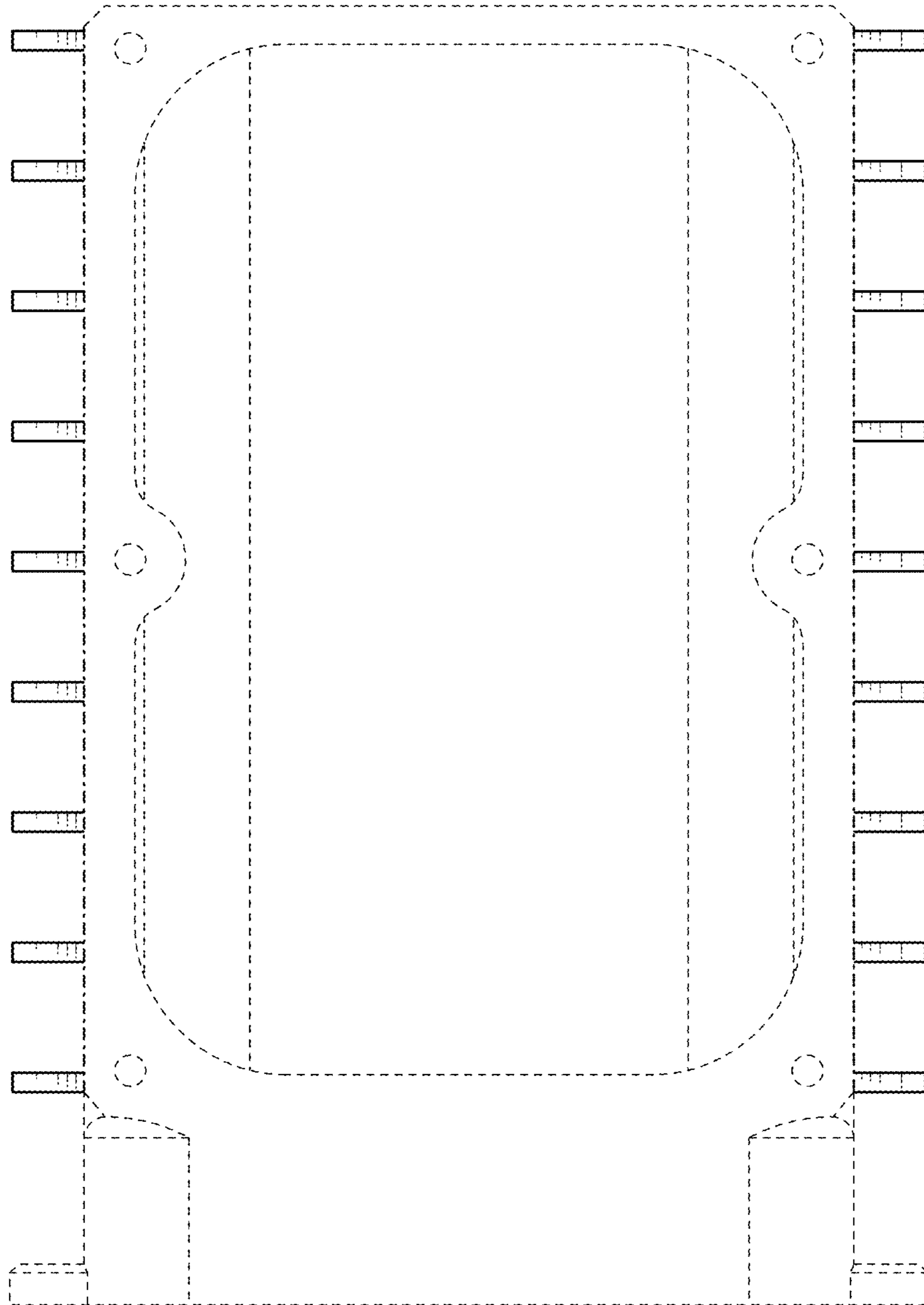


FIG. 3

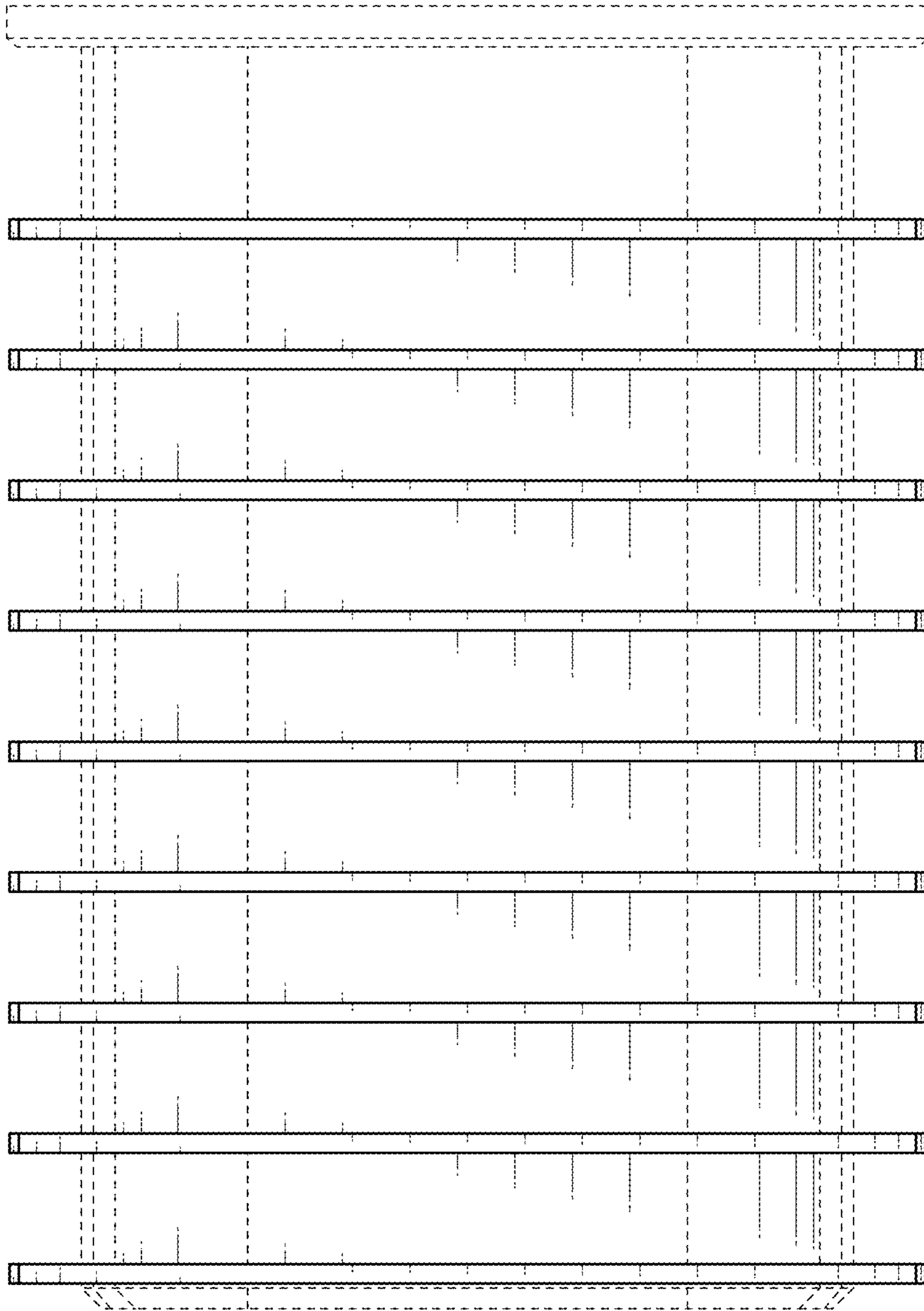


FIG. 4

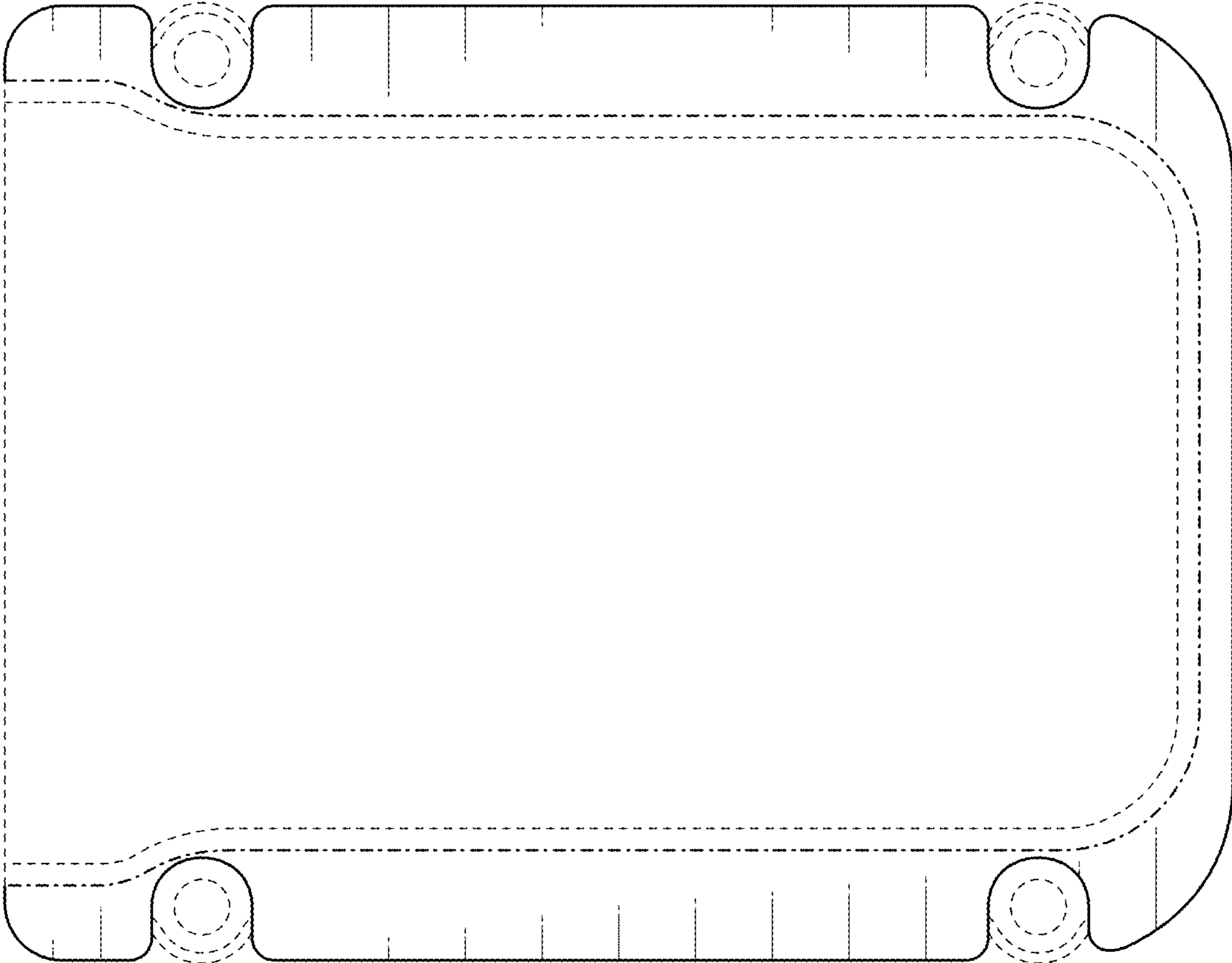


FIG. 5

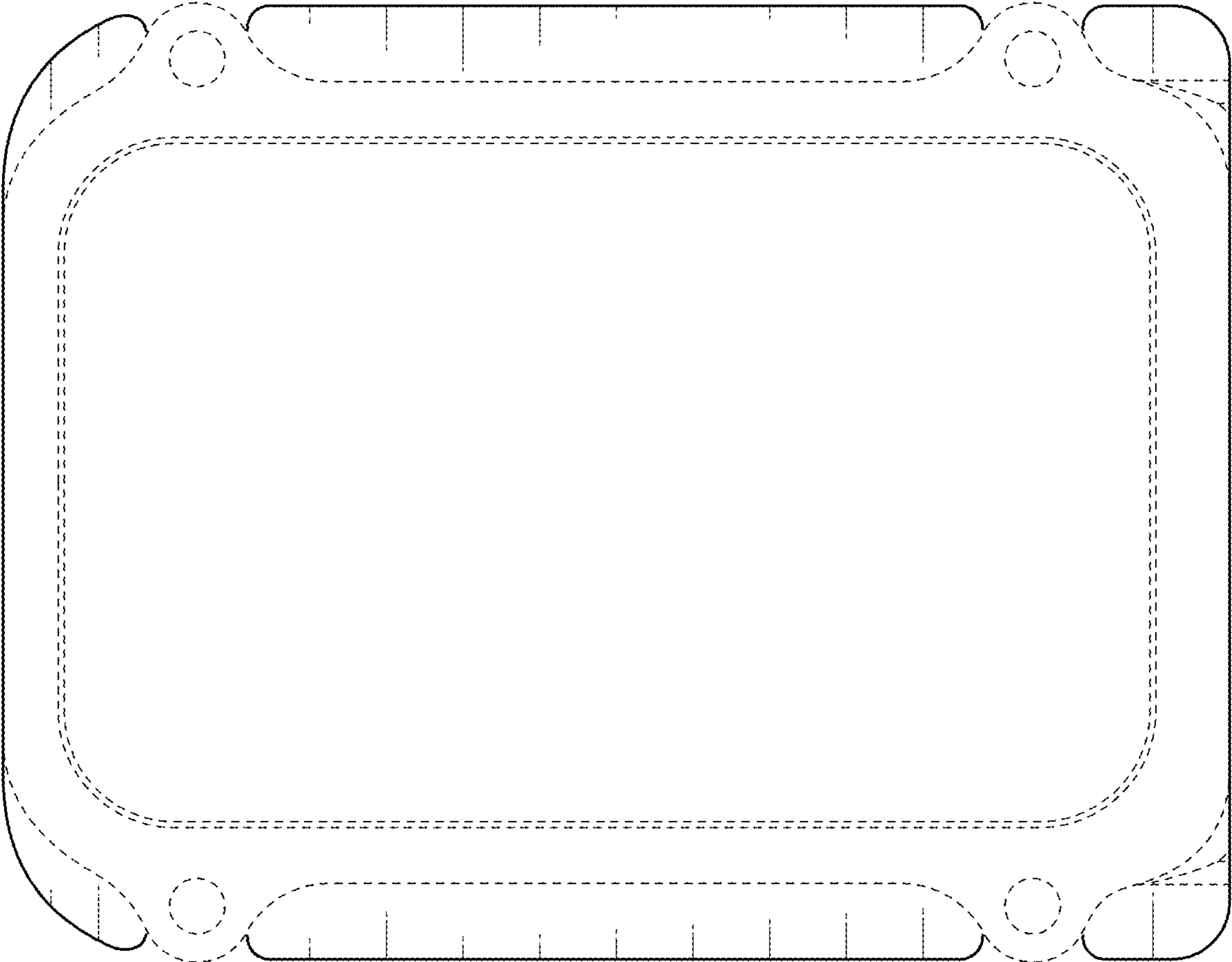


FIG. 6

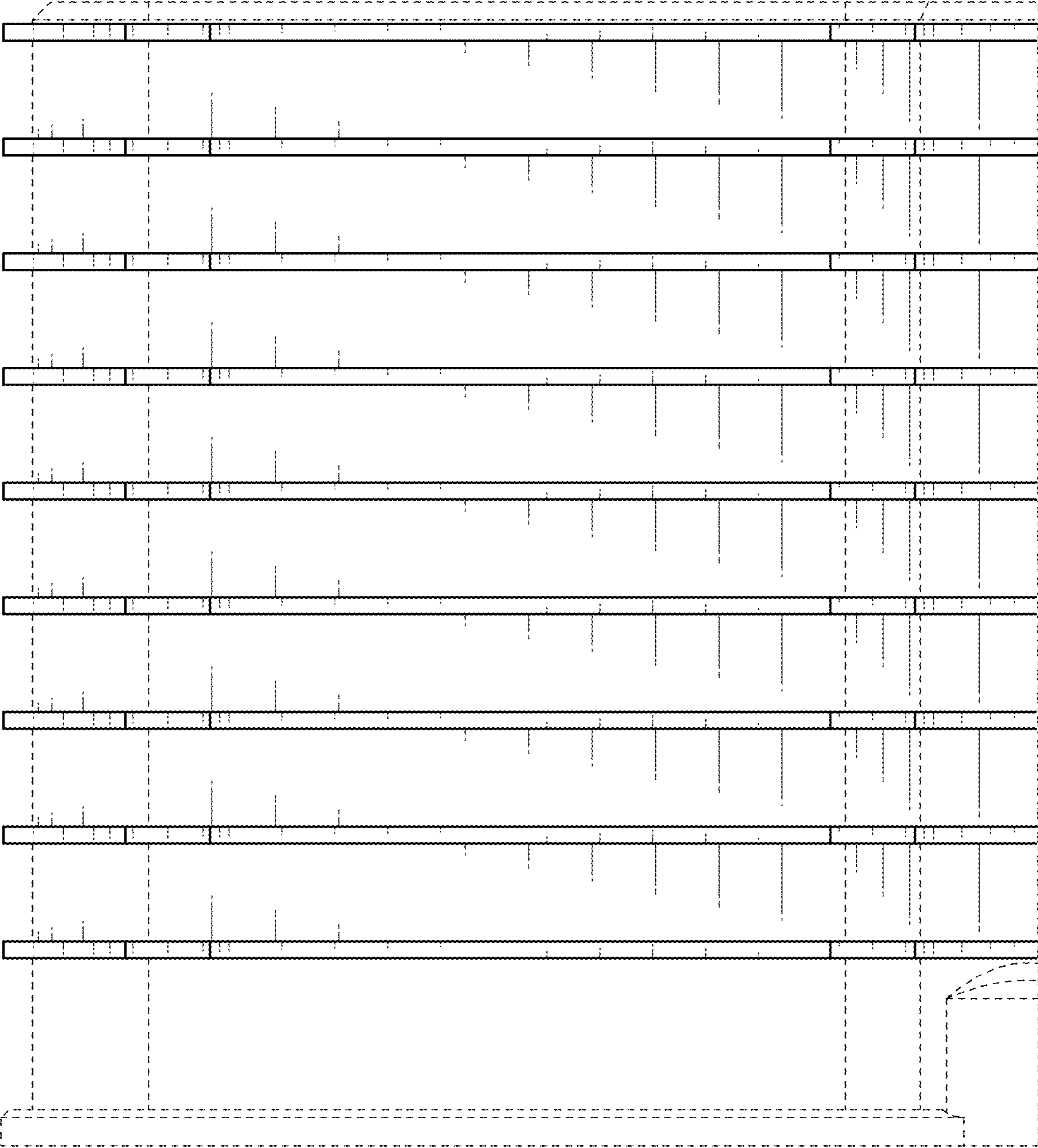


FIG. 7

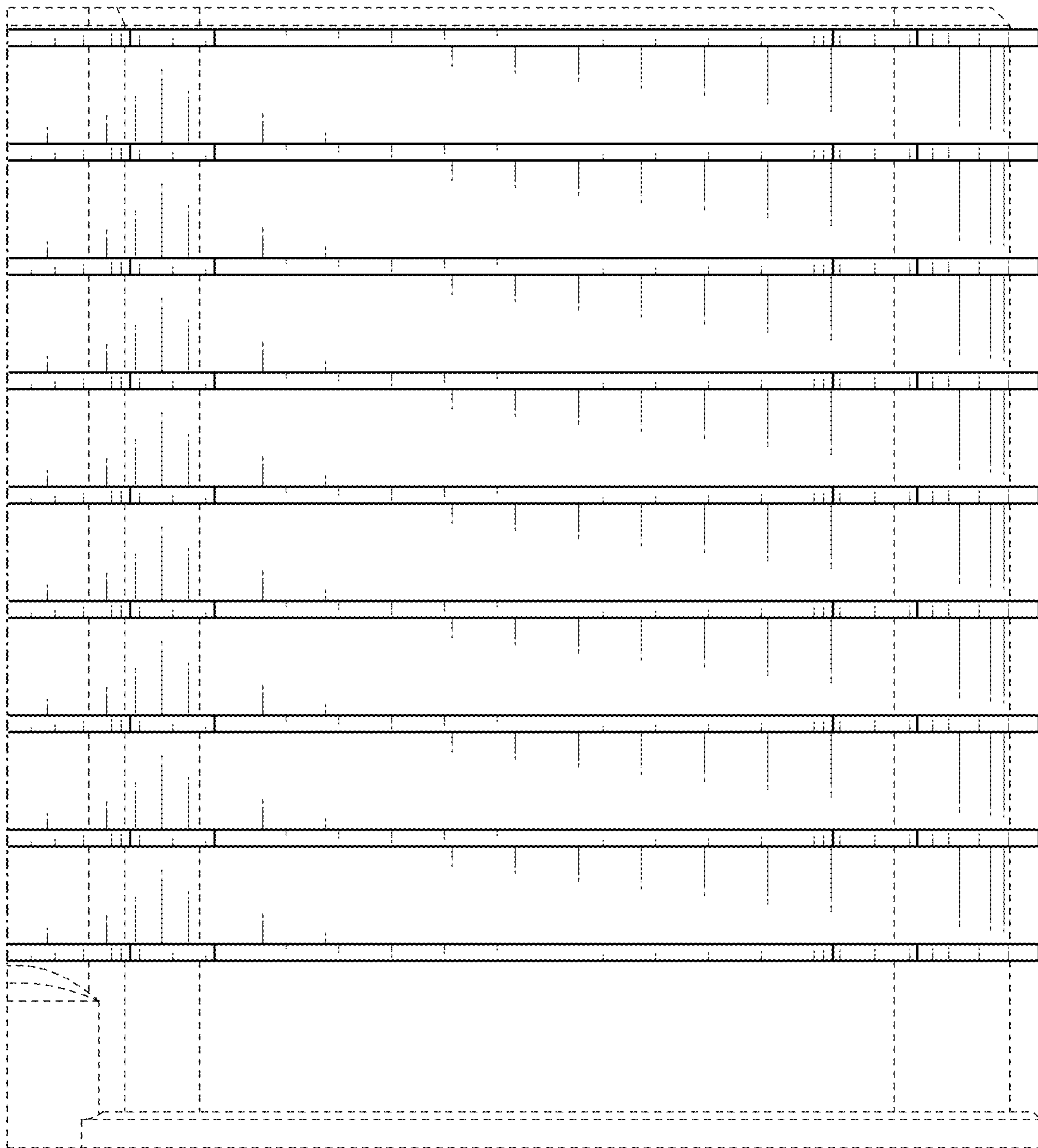


FIG. 8

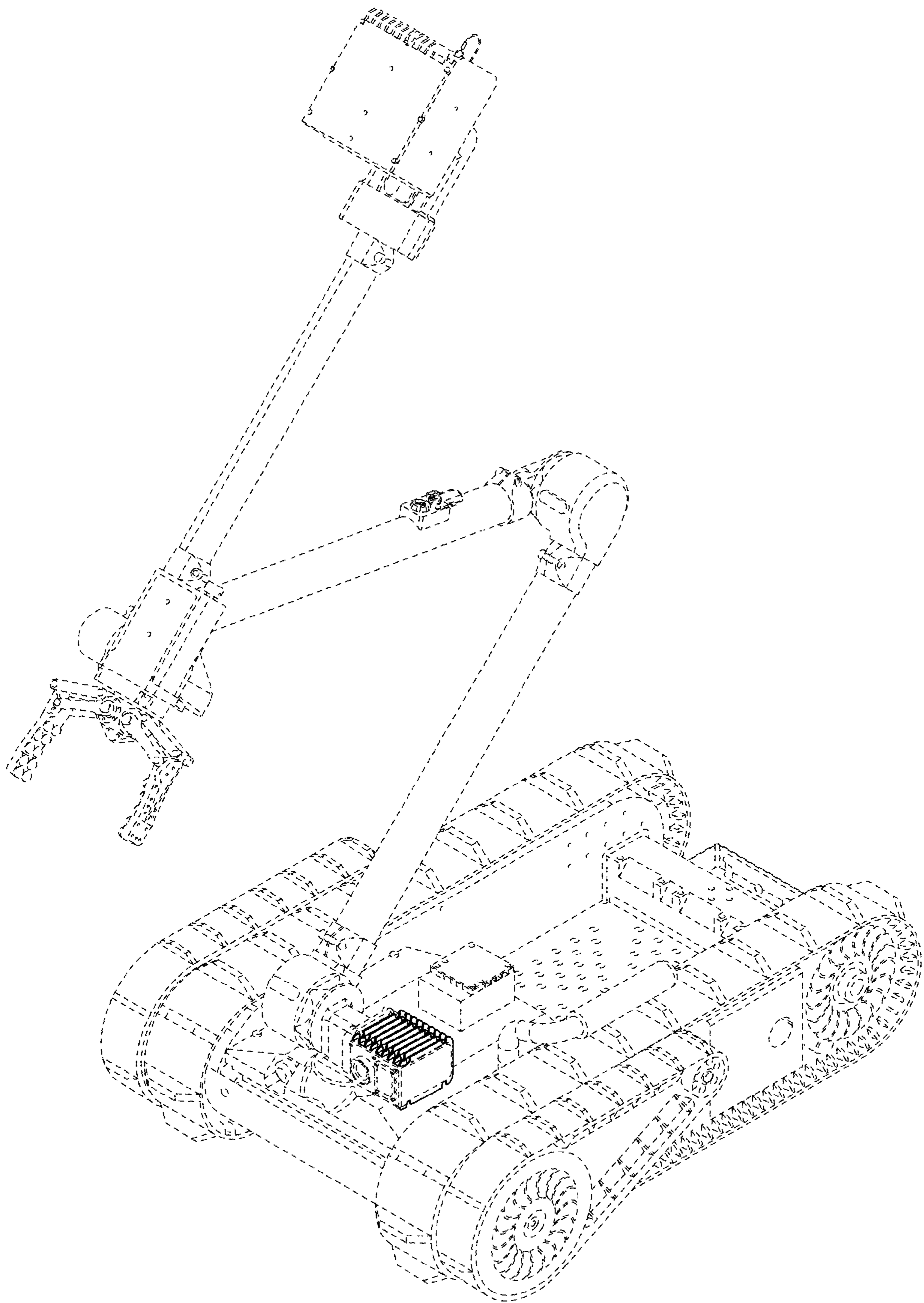


FIG. 9

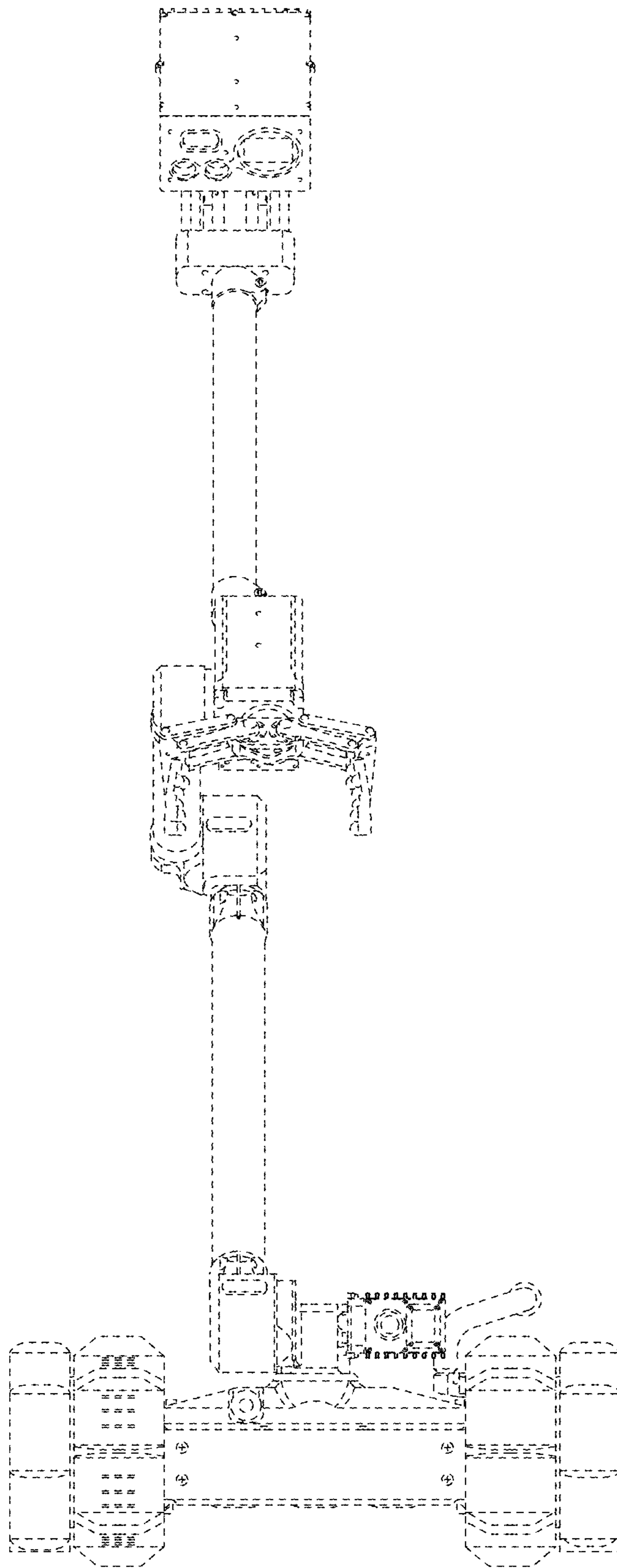


FIG. 10

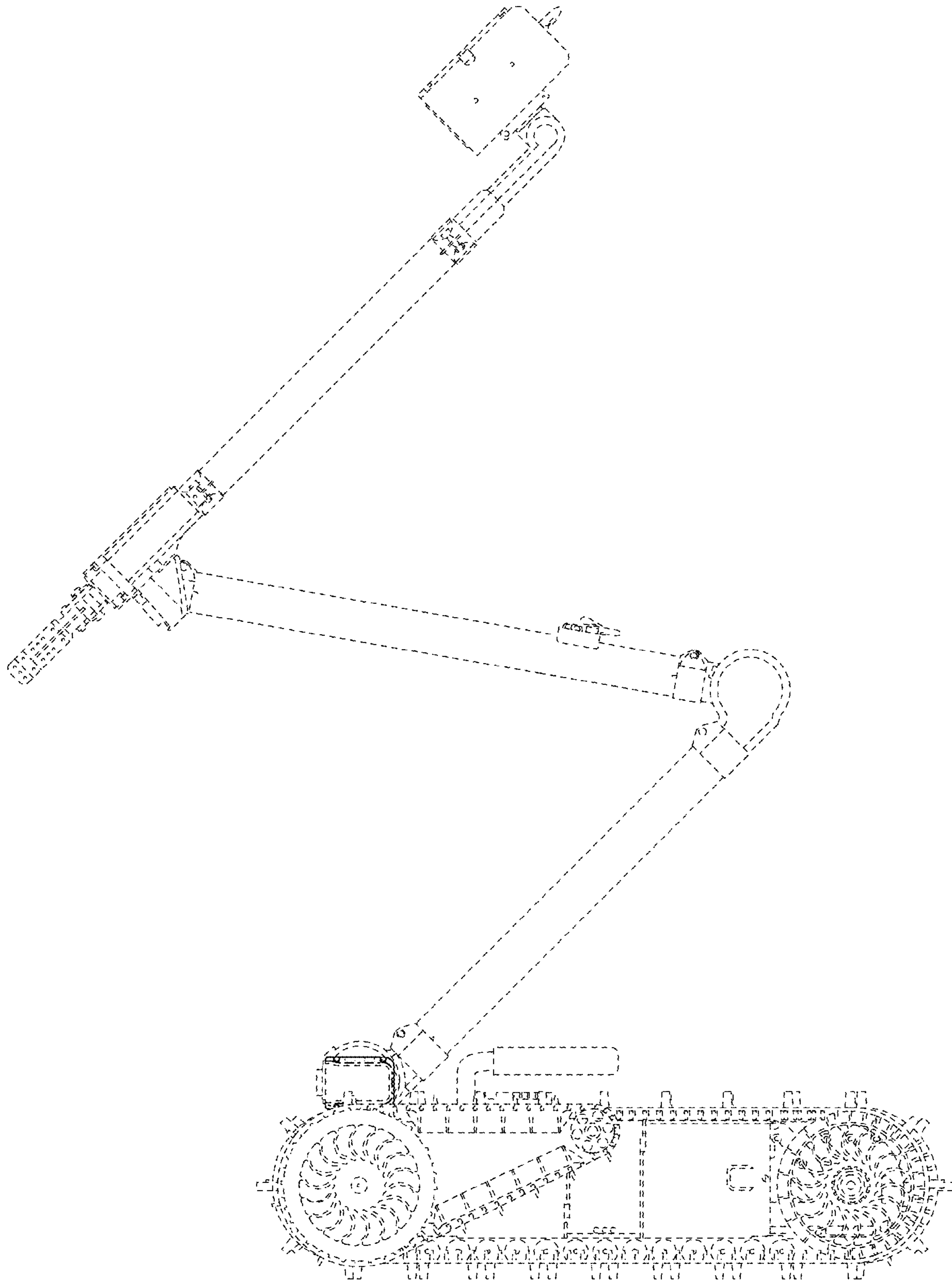


FIG. 11

UNITED STATES PATENT AND TRADEMARK OFFICE
CERTIFICATE OF CORRECTION

PATENT NO. : D966,374 S
APPLICATION NO. : 29/752287
DATED : October 11, 2022
INVENTOR(S) : Jordan D. Jesiolowski

Page 1 of 1

It is certified that error appears in the above-identified patent and that said Letters Patent is hereby corrected as shown below:

On the Title Page

In the Description Column 2, Line 2, change "patent application Ser. No." to --Patent Application No.-

-.

Signed and Sealed this
Twenty-third Day of May, 2023
Katherine Kelly Vidal

Katherine Kelly Vidal
Director of the United States Patent and Trademark Office