



US00D966373S

(12) **United States Design Patent**  
**Han et al.**

(10) **Patent No.:** **US D966,373 S**  
(45) **Date of Patent:** **\*\* Oct. 11, 2022**

(54) **ROBOT FOR DELIVERY**

(71) Applicant: **WOOWA BROTHERS CO., LTD.**,  
Seoul (KR)

(72) Inventors: **Myung su Han**, Yongin-si (KR); **Jo Seph Kim**, Seoul (KR); **Joo Hong Lee**, Incheon (KR); **Jin Seok Park**, Seoul (KR); **Ju Yeong Kim**, Yongin-si (KR)

(73) Assignee: **WOOWA BROTHERS CO., LTD.**,  
Seoul (KR)

(\*\*) Term: **15 Years**

(21) Appl. No.: **29/749,692**

(22) Filed: **Sep. 8, 2020**

(30) **Foreign Application Priority Data**

Mar. 27, 2020 (KR) ..... 30-2020-0013827

(51) **LOC (13) Cl.** ..... **15-99**

(52) **U.S. Cl.**  
USPC ..... **D15/199**

(58) **Field of Classification Search**  
USPC ..... D12/1, 308; D14/900-902; D15/199;  
D21/398, 424, 456, 467, 493, 495,  
D21/533-539, 578, 579, 585, 593, 594;  
D32/21  
CPC ..... B25J 9/0003; B25J 11/008; B25J 5/007;  
B25J 9/1697; G06F 19/3418; G05D  
2201/0207; Y10S 901/01; Y10S 901/46  
See application file for complete search history.

(56) **References Cited**

**U.S. PATENT DOCUMENTS**

D369,022 S \* 4/1996 Sun ..... D21/495  
D431,708 S \* 10/2000 McCormack ..... D14/900  
D457,572 S \* 5/2002 Hornsby ..... D21/398

D549,756 S \* 8/2007 Park ..... D15/199  
D559,288 S \* 1/2008 Matsuda ..... D15/199  
D563,404 S \* 3/2008 Taniho ..... D14/302  
D563,443 S \* 3/2008 Ahn ..... D15/199  
D594,492 S \* 6/2009 Stratton ..... D15/199  
D637,595 S \* 5/2011 Mizusugi ..... D14/307  
D675,656 S \* 2/2013 Sutherland ..... D15/199  
D677,344 S \* 3/2013 Petersen ..... D21/539  
D701,256 S \* 3/2014 Song ..... D15/199  
D719,620 S \* 12/2014 Clerc ..... B25J 5/007  
D21/578  
D725,166 S \* 3/2015 Paik ..... D15/199  
D725,167 S \* 3/2015 Song ..... D15/199  
D726,836 S \* 4/2015 Song ..... D21/578

(Continued)

*Primary Examiner* — Michael C Stout

*Assistant Examiner* — Fritzgerald L Butac

(74) *Attorney, Agent, or Firm* — H.C. Park & Associates, PLC

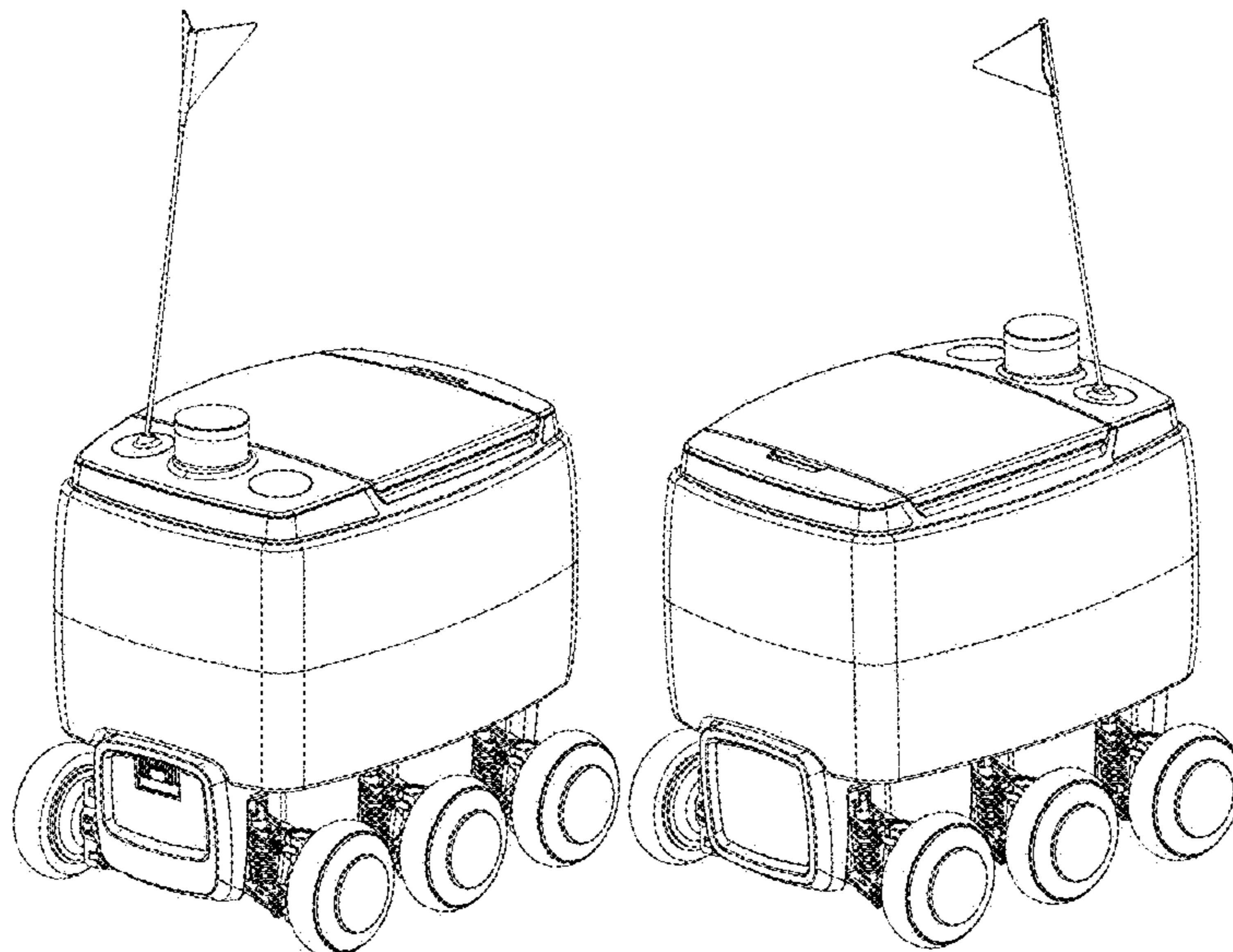
(57) **CLAIM**

The ornamental design for a robot for delivery, as shown and described.

**DESCRIPTION**

FIG. 1 is a front, right perspective view of a robot for delivery, showing our new design.  
FIG. 2 is a rear, left perspective view of the new design.  
FIG. 3 is a front view thereof.  
FIG. 4 is a back view thereof.  
FIG. 5 is a right side view thereof.  
FIG. 6 is a left side view thereof.  
FIG. 7 is a top-view thereof.  
FIG. 8 is a bottom-view thereof.  
FIG. 9 is a rear, left perspective view of the robot for delivery with a lid in an open position in a state of use; and, FIG. 10 is a front, right perspective view of the robot for delivery with a lid in an open position in a state of use. The broken lines show portions of a robot for delivery that form no part of the claimed design.

**1 Claim, 10 Drawing Sheets**



(56)

**References Cited**

U.S. PATENT DOCUMENTS

D735,258	S	*	7/2015	Jang	.....	D15/199
D766,644	S	*	9/2016	Huang	.....	D7/306
D781,945	S	*	3/2017	Uno	.....	D15/199
D793,145	S	*	8/2017	Huang	.....	D7/306
D802,040	S	*	11/2017	Canoso	.....	D15/199
D808,601	S	*	1/2018	Luo	.....	D32/21
D809,722	S	*	2/2018	Luo	.....	D32/21
D810,167	S	*	2/2018	Yang	.....	D15/199
D810,800	S	*	2/2018	Wang	.....	D15/199
D811,458	S	*	2/2018	Wang	.....	D15/199
D813,281	S	*	3/2018	Kittmann	.....	D15/199
D818,397	S	*	5/2018	Makela	.....	D12/86
D824,976	S	*	8/2018	Makela	.....	D15/199
D849,813	S	*	5/2019	Sutherland	.....	D15/199
D857,117	S	*	8/2019	Venancio	.....	D21/533
D866,684	S	*	11/2019	Fruh	.....	D21/578
D909,495	S	*	2/2021	Lee	.....	D21/578
D919,717	S	*	5/2021	Paul	.....	D21/578

\* cited by examiner

FIG. 1

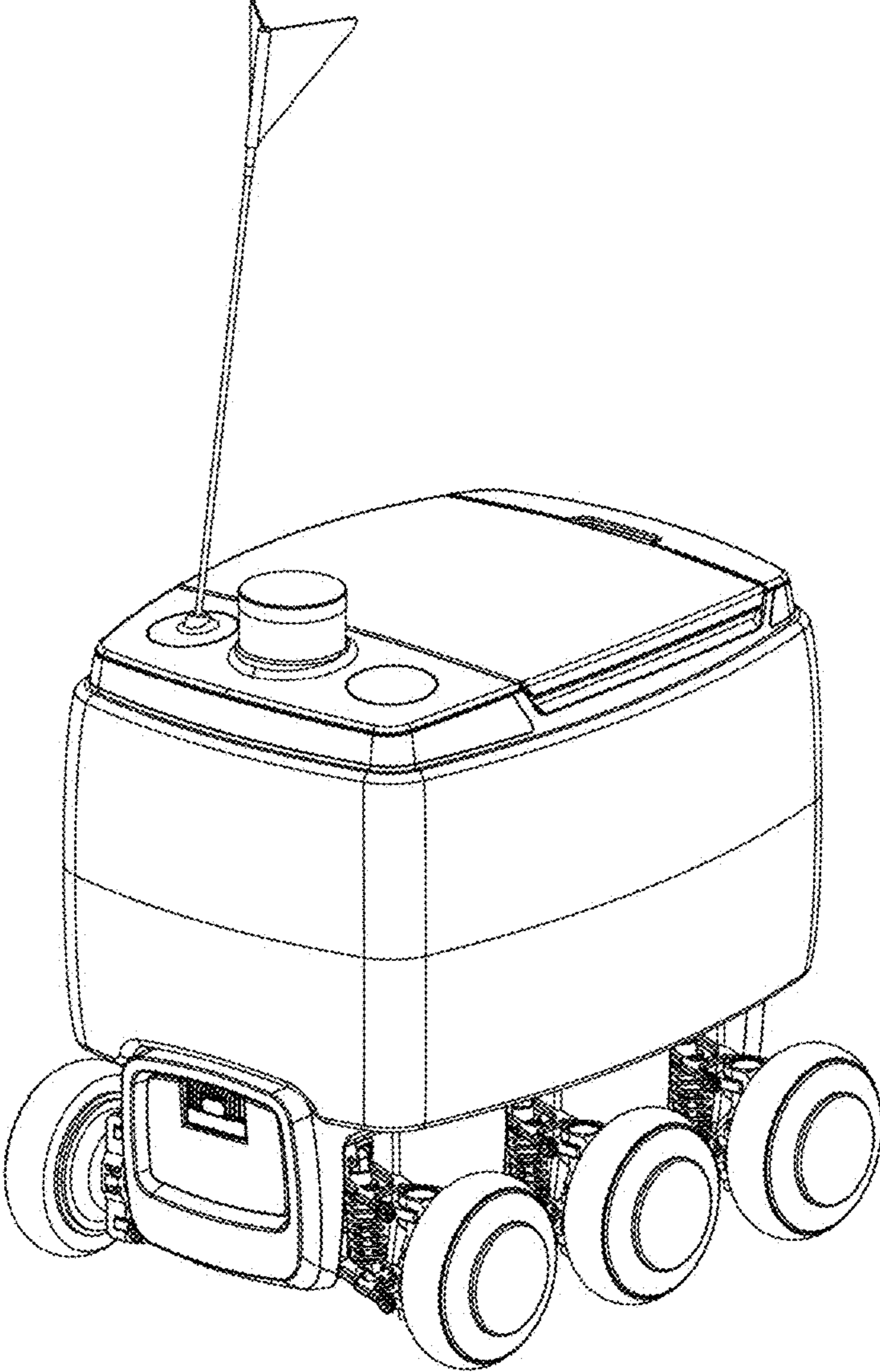


FIG. 2

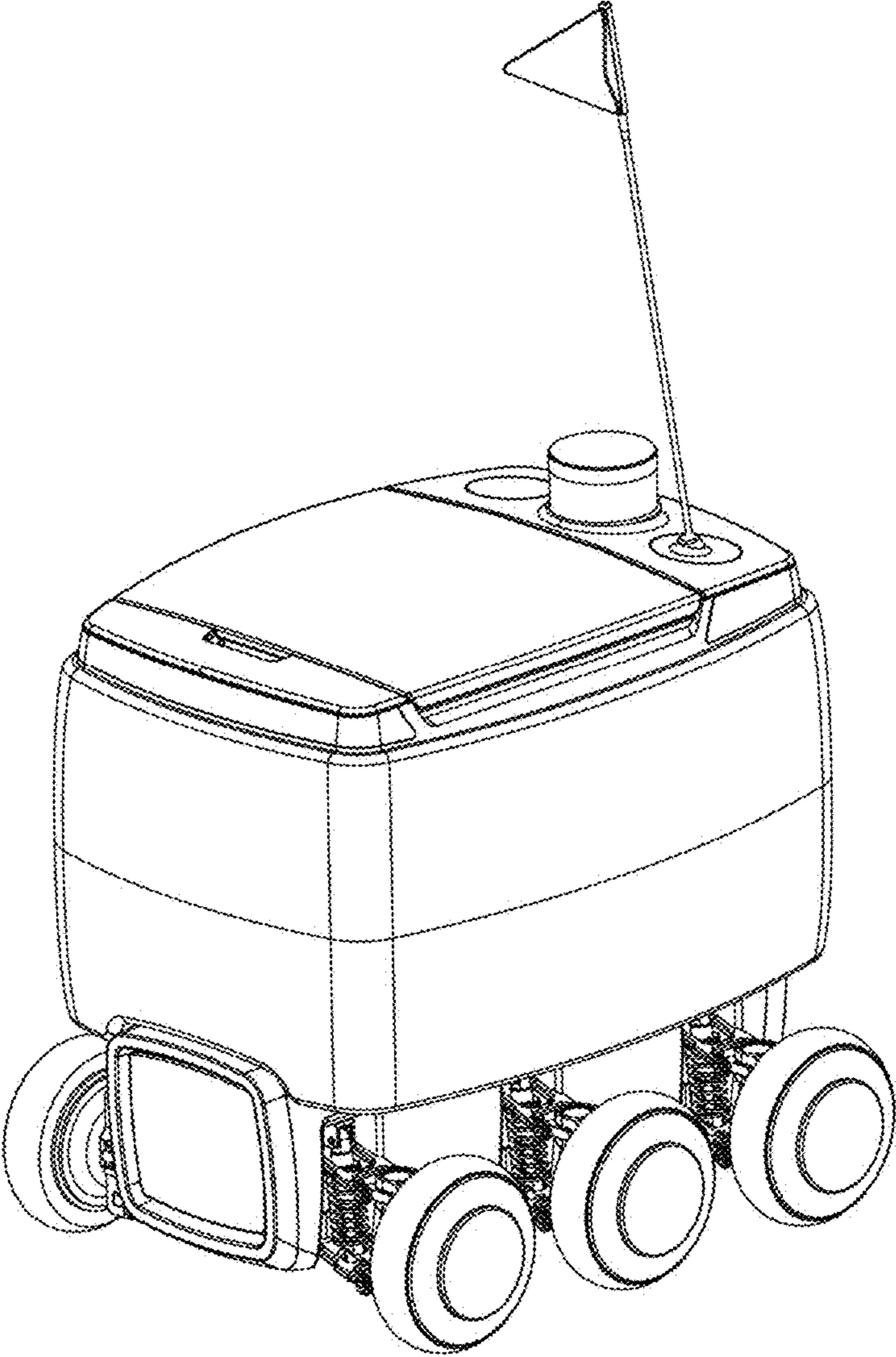


FIG. 3

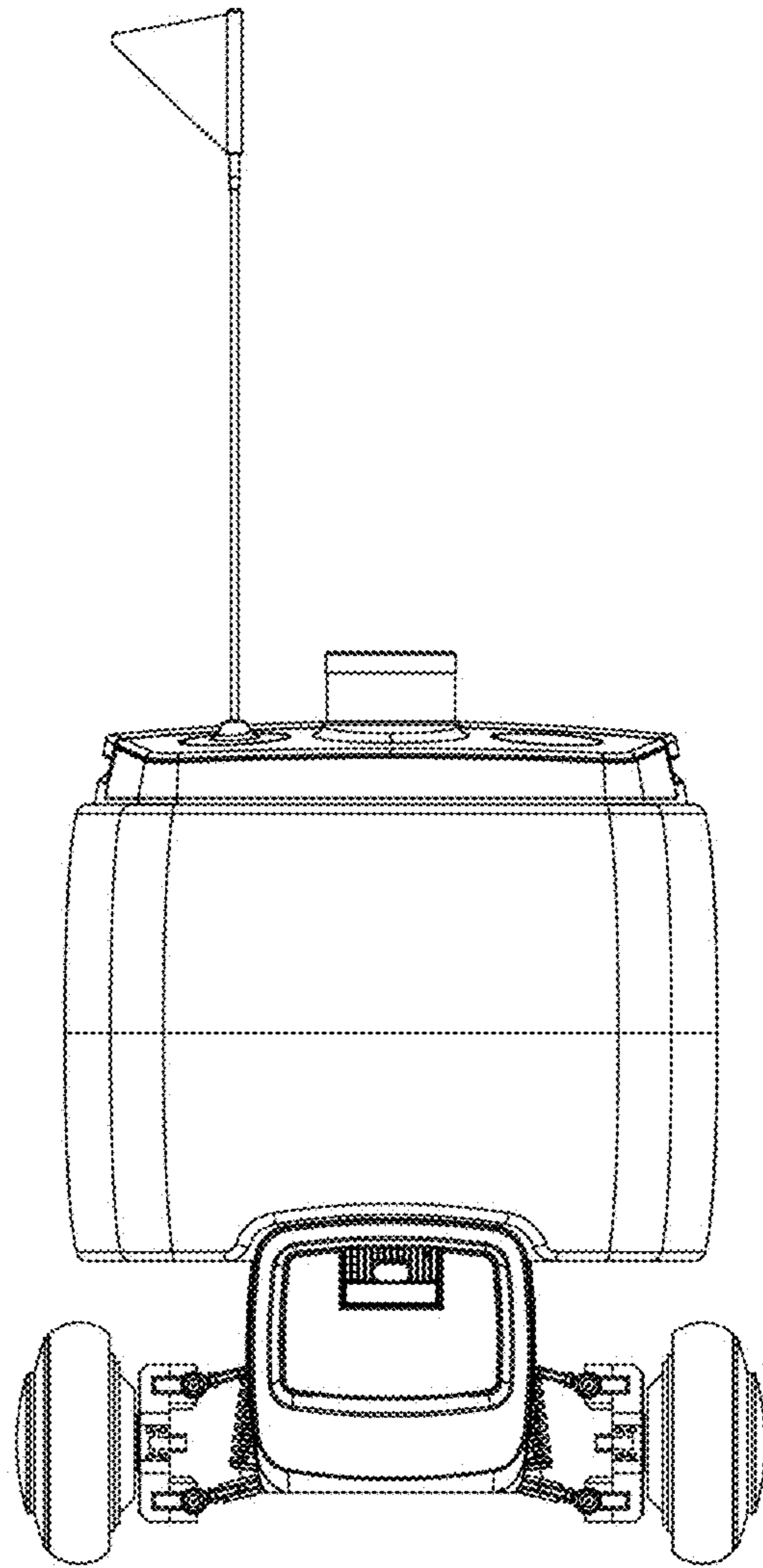


FIG. 4

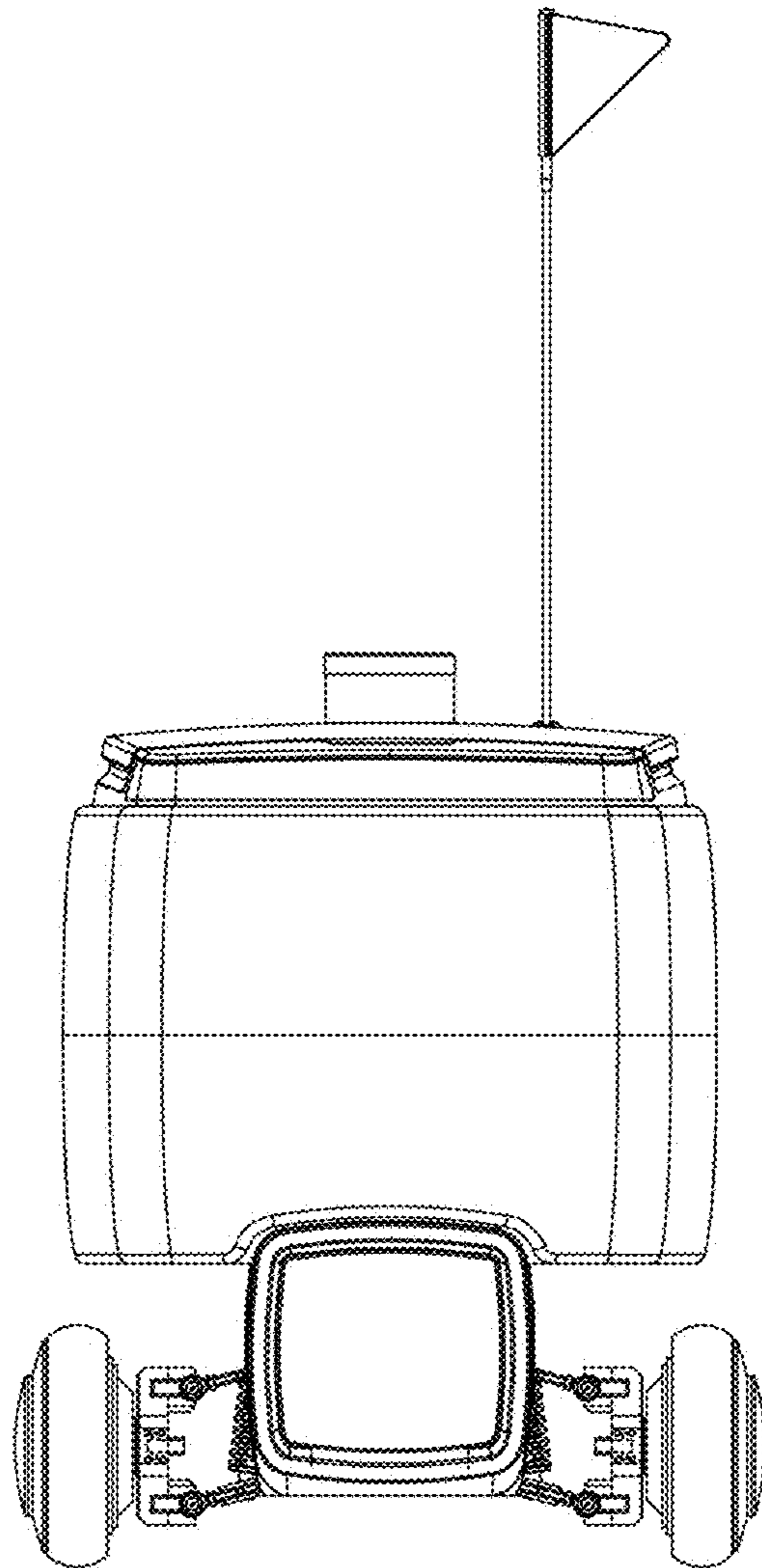


FIG. 5

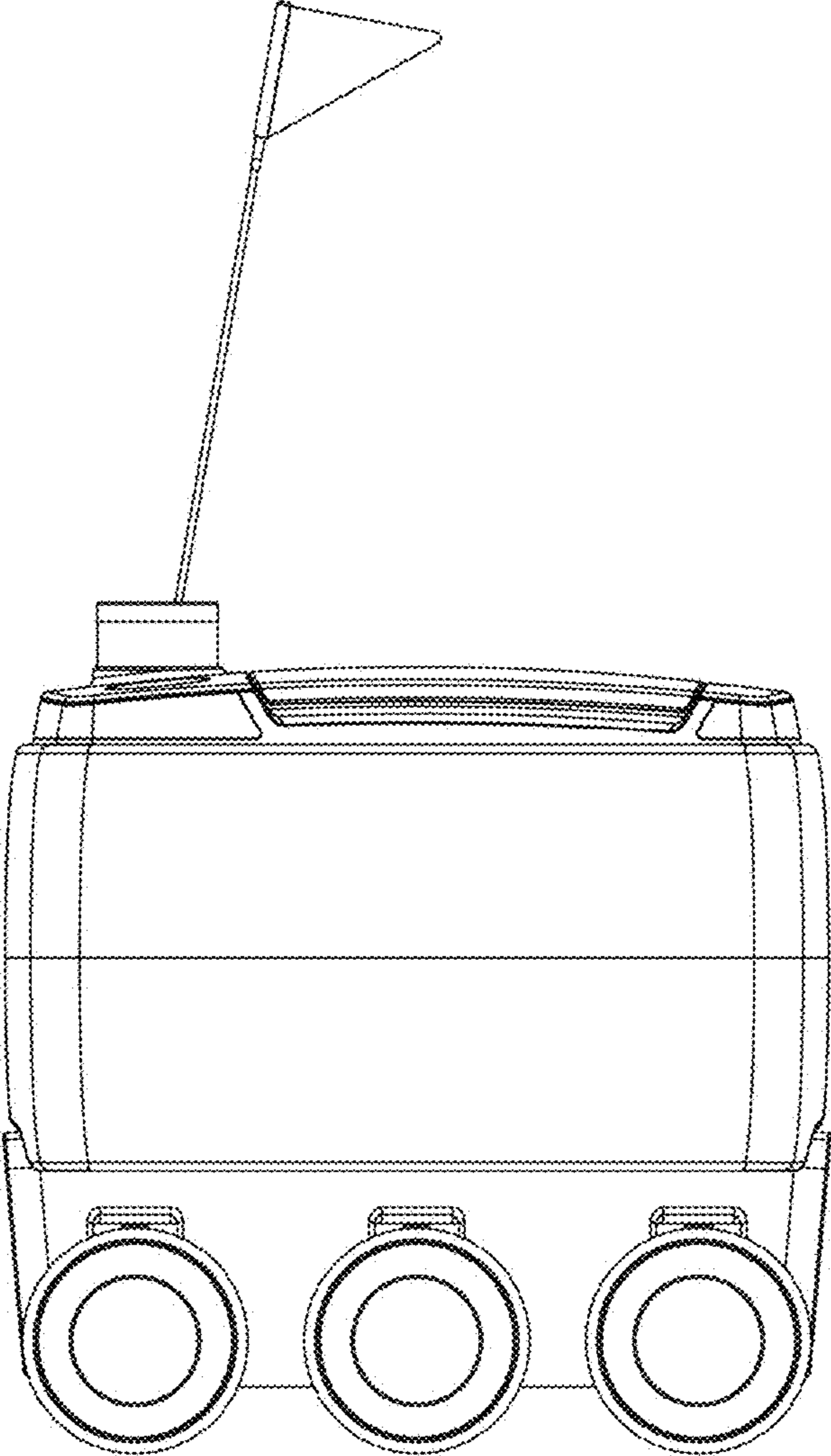


FIG. 6

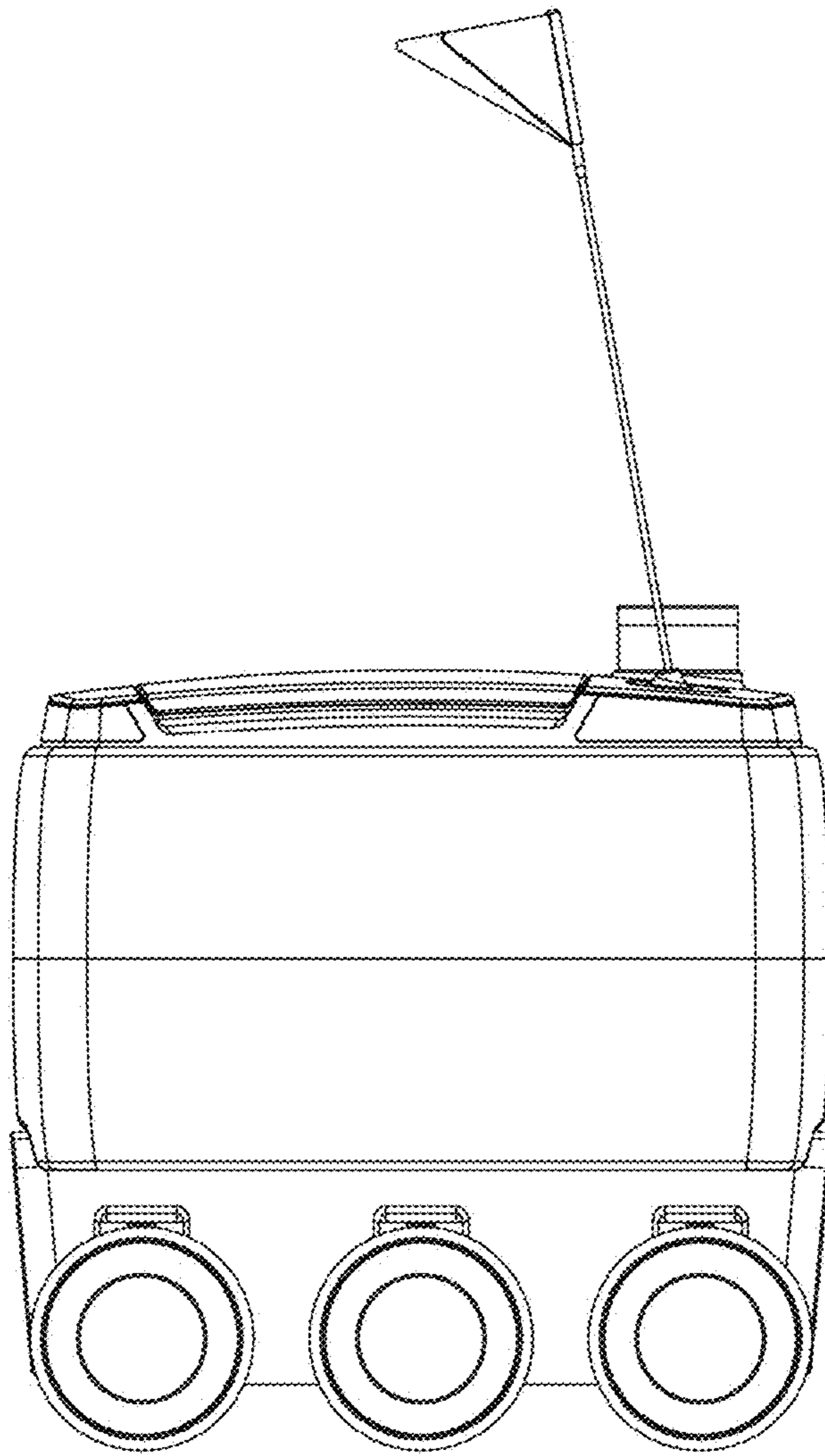




FIG. 7

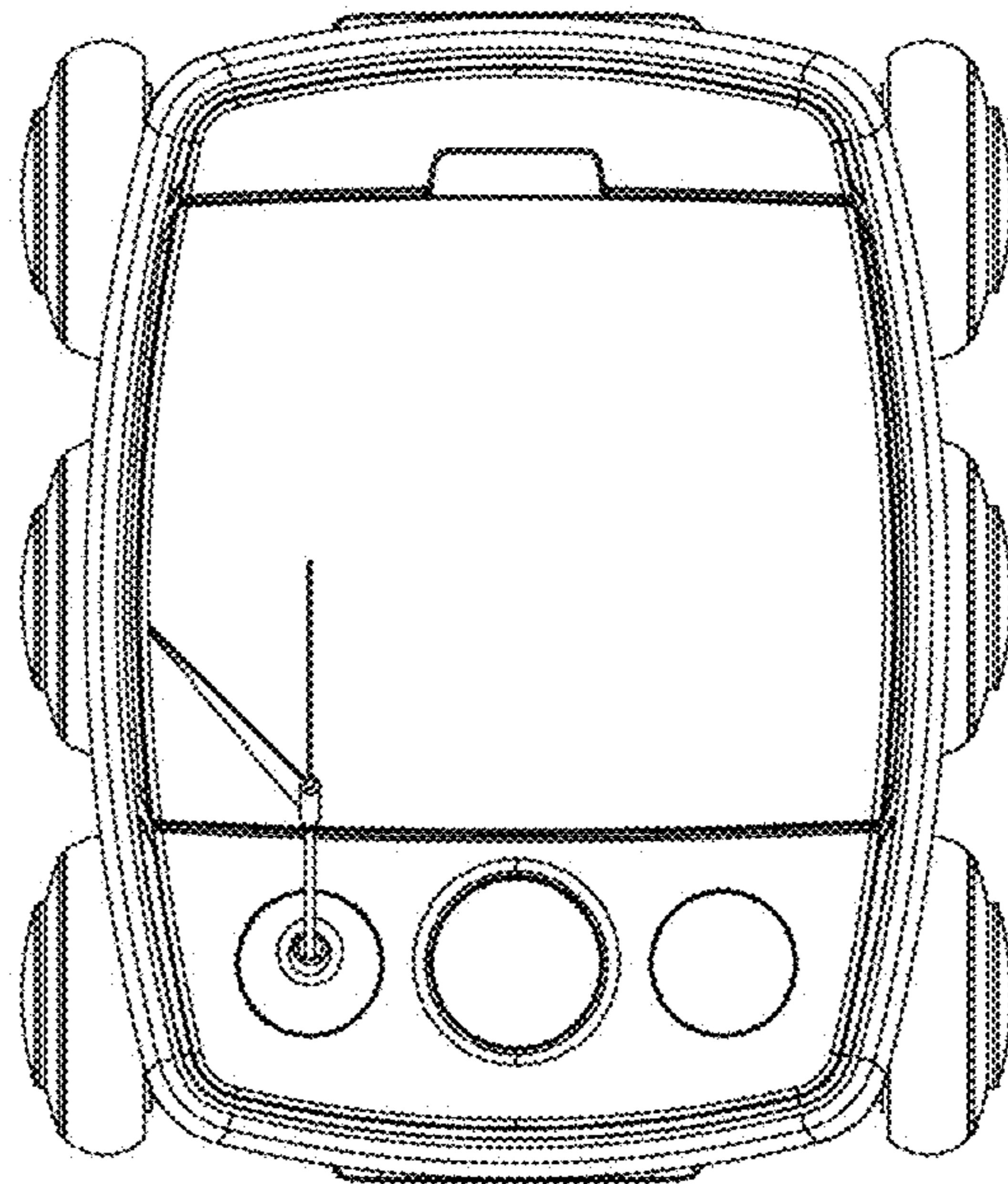


FIG.8

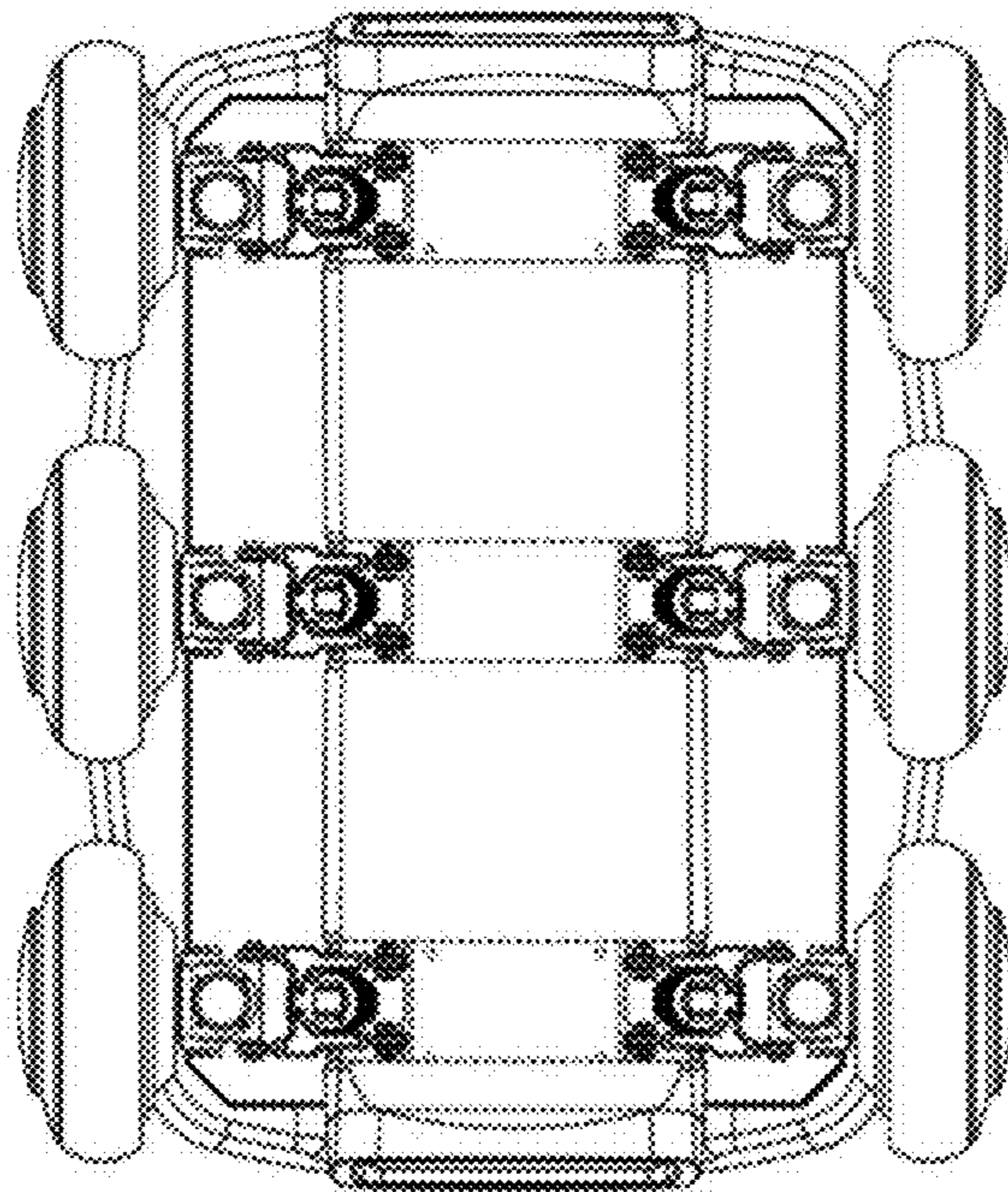


FIG. 9

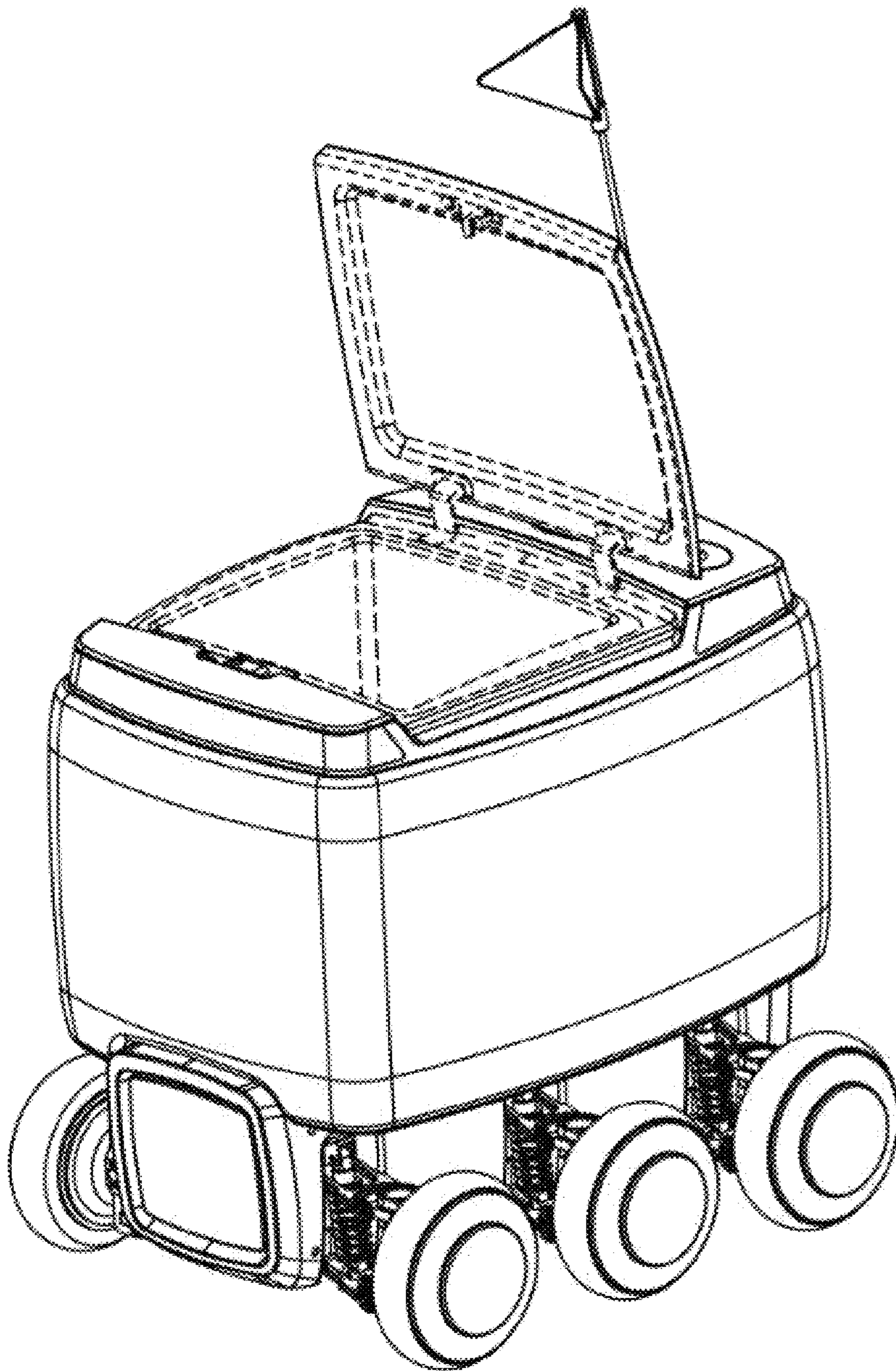


FIG. 10

