

US00D966370S

(12) **United States Design Patent**
Cannon

(10) **Patent No.:** **US D966,370 S**

(45) **Date of Patent:** **** Oct. 11, 2022**

(54) **HYDRAULIC TURBO ACTUATOR**

(71) Applicant: **ATS Diesel Performance, Inc.**, Arvada,
CO (US)

(72) Inventor: **Clint Cannon**, Denver, CO (US)

(**) Term: **15 Years**

(21) Appl. No.: **29/755,823**

(22) Filed: **Oct. 23, 2020**

(51) **LOC (13) Cl.** **15-99**

(52) **U.S. Cl.**
USPC **D15/148**

(58) **Field of Classification Search**
USPC D13/123, 164, 174, 162, 171, 184;
D15/1-7, 9, 143, 148, 149, 199;
D24/176
CPC B64C 13/30; B64C 13/341; G05B 15/02;
F16H 61/2807

See application file for complete search history.

(56) **References Cited**

U.S. PATENT DOCUMENTS

D365,034 S	*	12/1995	Enlow	D10/96
D368,919 S	*	4/1996	Lannoch	D15/148
D403,004 S	*	12/1998	Kaye	D15/149
D416,922 S	*	11/1999	Lannoch	D15/148
D479,725 S	*	9/2003	Lannoch	D15/148
D518,837 S	*	4/2006	Taguchi	D15/143
D676,884 S	*	2/2013	Zhang	D15/148
D711,447 S	*	8/2014	Kasahara	D15/199
D808,452 S	*	1/2018	Watrin	D15/148
D810,798 S	*	2/2018	Tabuchi	D15/148

D824,973 S	*	8/2018	Tabuchi	D15/148
D824,974 S	*	8/2018	Tabuchi	D15/148
D824,975 S	*	8/2018	Tabuchi	D15/148
D829,792 S	*	10/2018	Matsutou	D15/148
D869,528 S	*	12/2019	Hoffmann	D15/148
D871,471 S	*	12/2019	Kiefel	D15/148
D872,149 S	*	1/2020	Hirabayashi	D15/148
D873,318 S	*	1/2020	Andersson	D15/148
D886,878 S	*	6/2020	Jumper	D15/148
D927,579 S	*	8/2021	Matsuda	D15/199

* cited by examiner

Primary Examiner — Michael C Stout

Assistant Examiner — Fritzgerald L Butac

(74) *Attorney, Agent, or Firm* — Will Hunziker

(57) **CLAIM**

The ornamental design for hydraulic turbo actuator, as shown and described.

DESCRIPTION

FIG. 1 is a perspective view of a hydraulic turbo actuator, showing my new design.

FIG. 2 is a front view thereof;

FIG. 3 is a back view thereof;

FIG. 4 is a left-side view thereof;

FIG. 5 is a right-side view thereof;

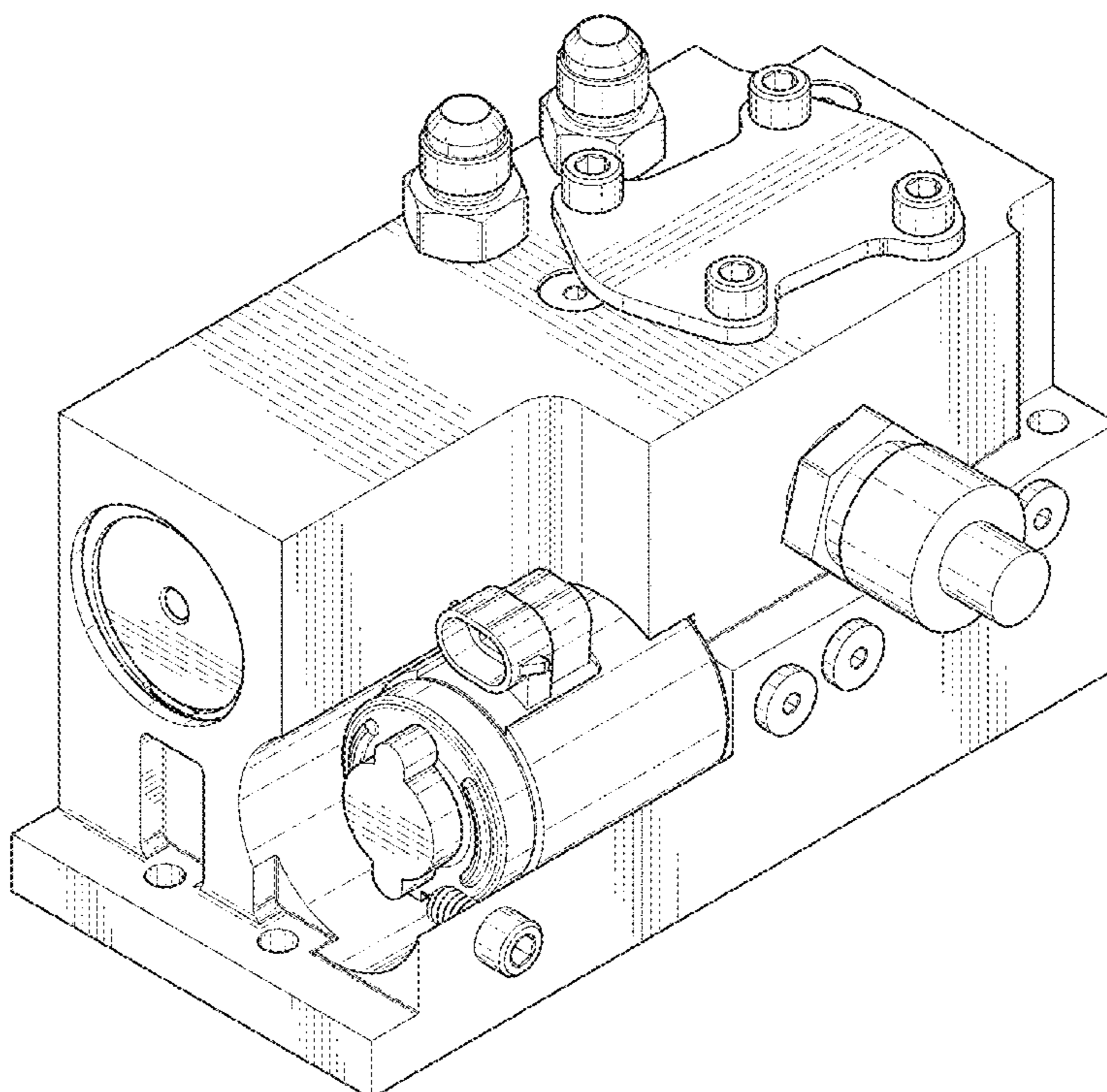
FIG. 6 is a top view thereof; and,

FIG. 7 is a bottom view thereof.

The broken lines show portions of a hydraulic turbo actuator which form no part of the claimed design.

The dash-dot broken lines seen in FIG. 4 are for the purpose of showing the bounds of the claimed design, and form no part thereof.

1 Claim, 7 Drawing Sheets



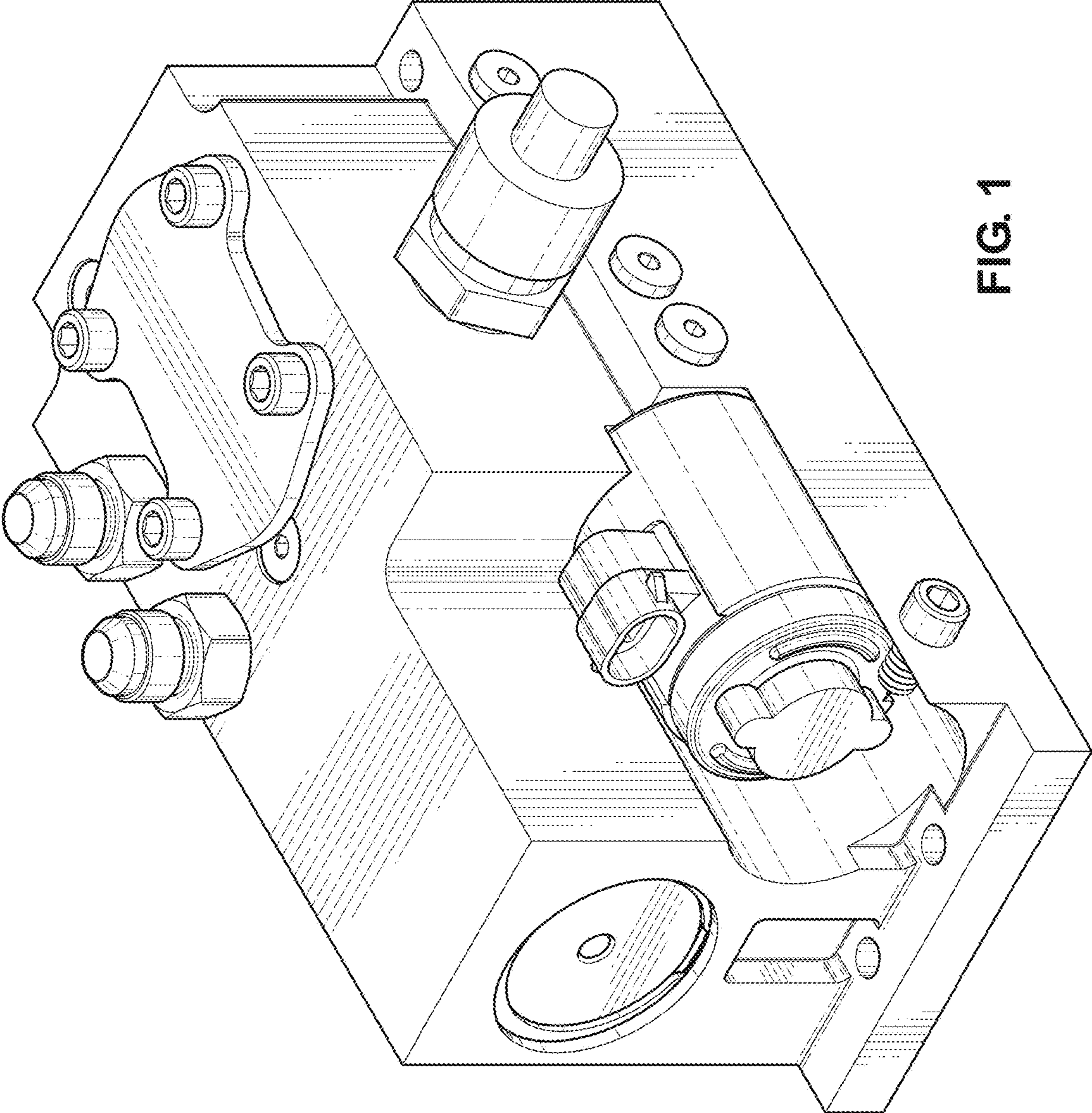


FIG. 1

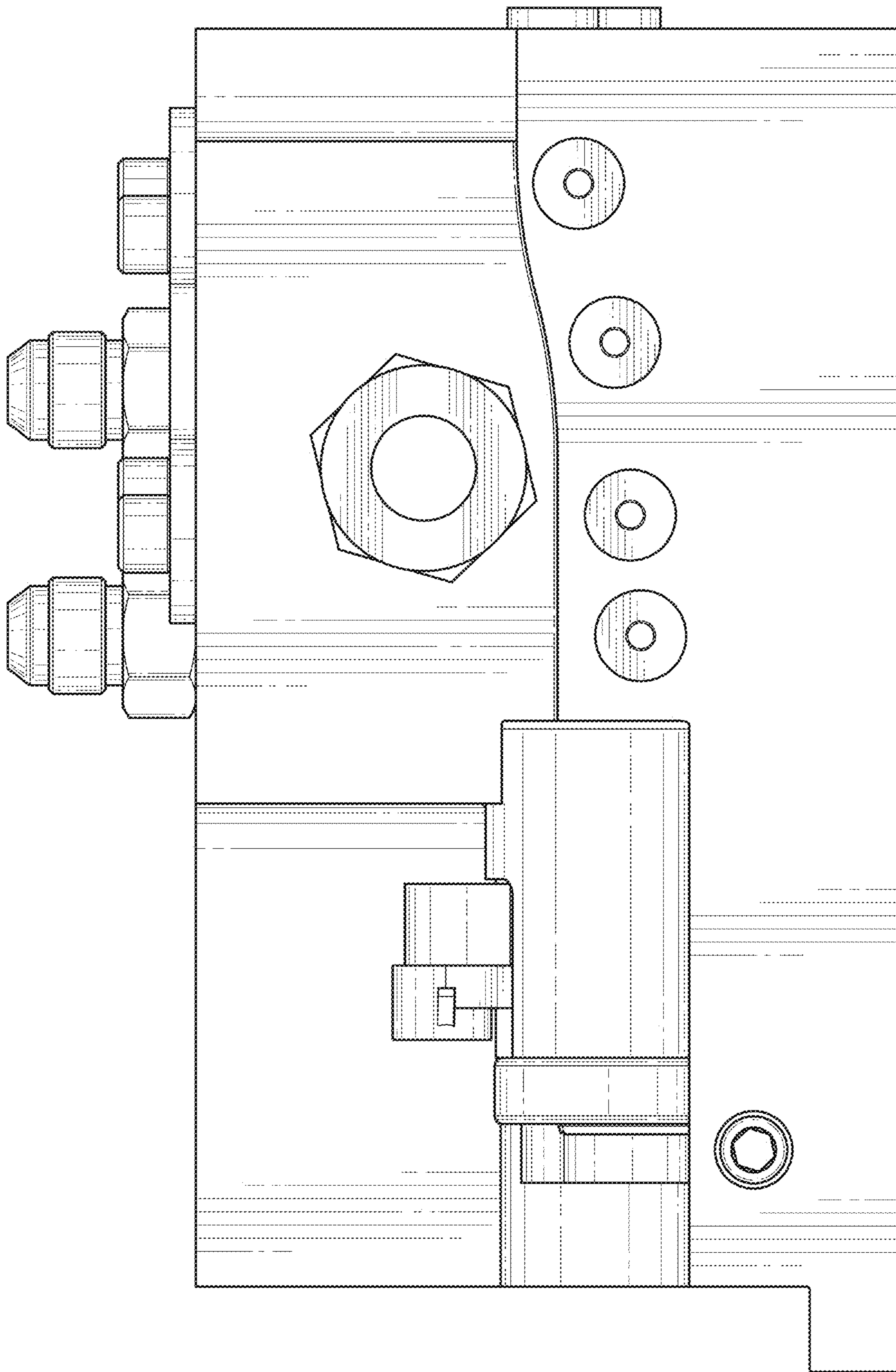


FIG. 2

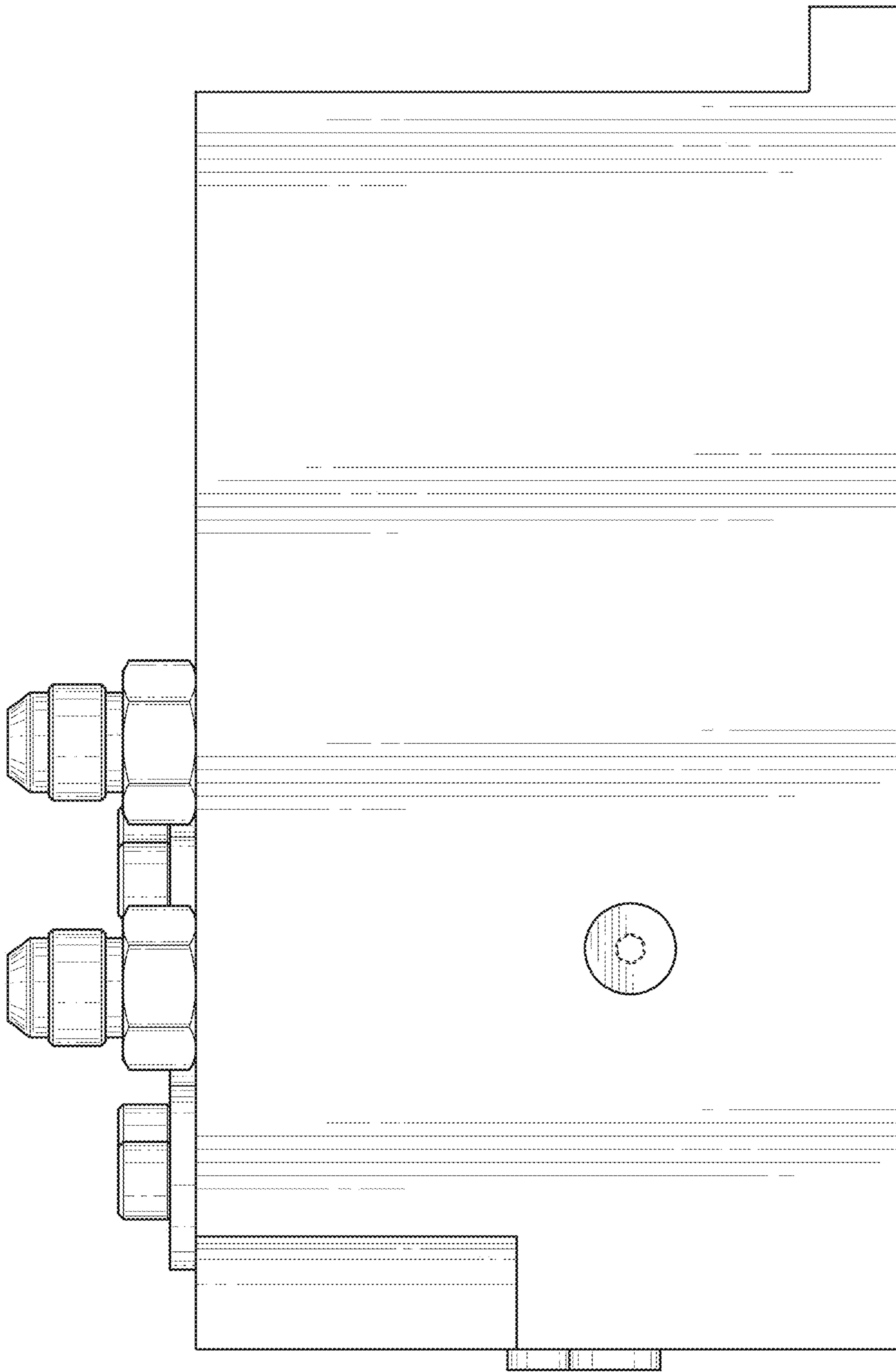


FIG. 3

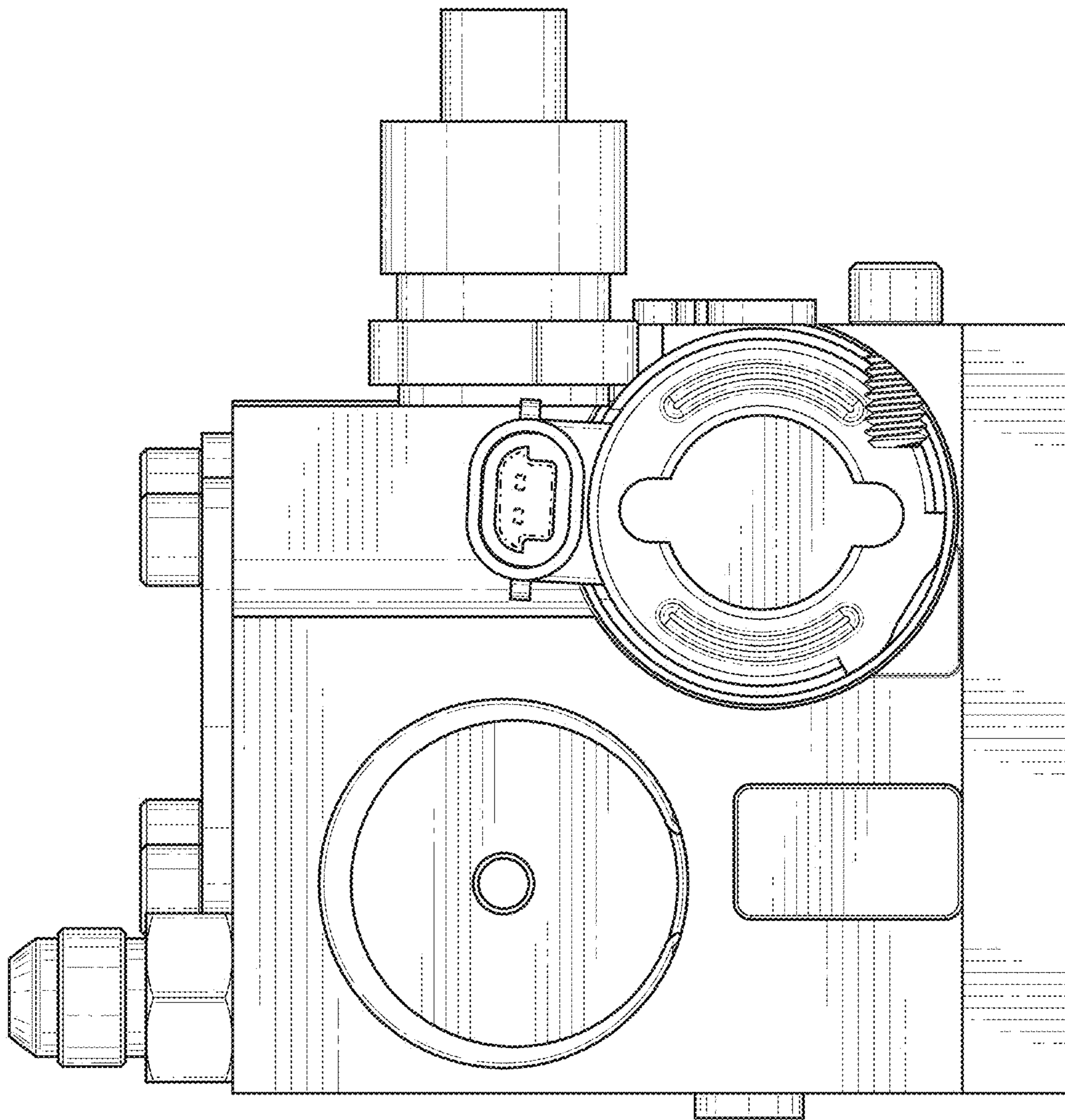


FIG. 4

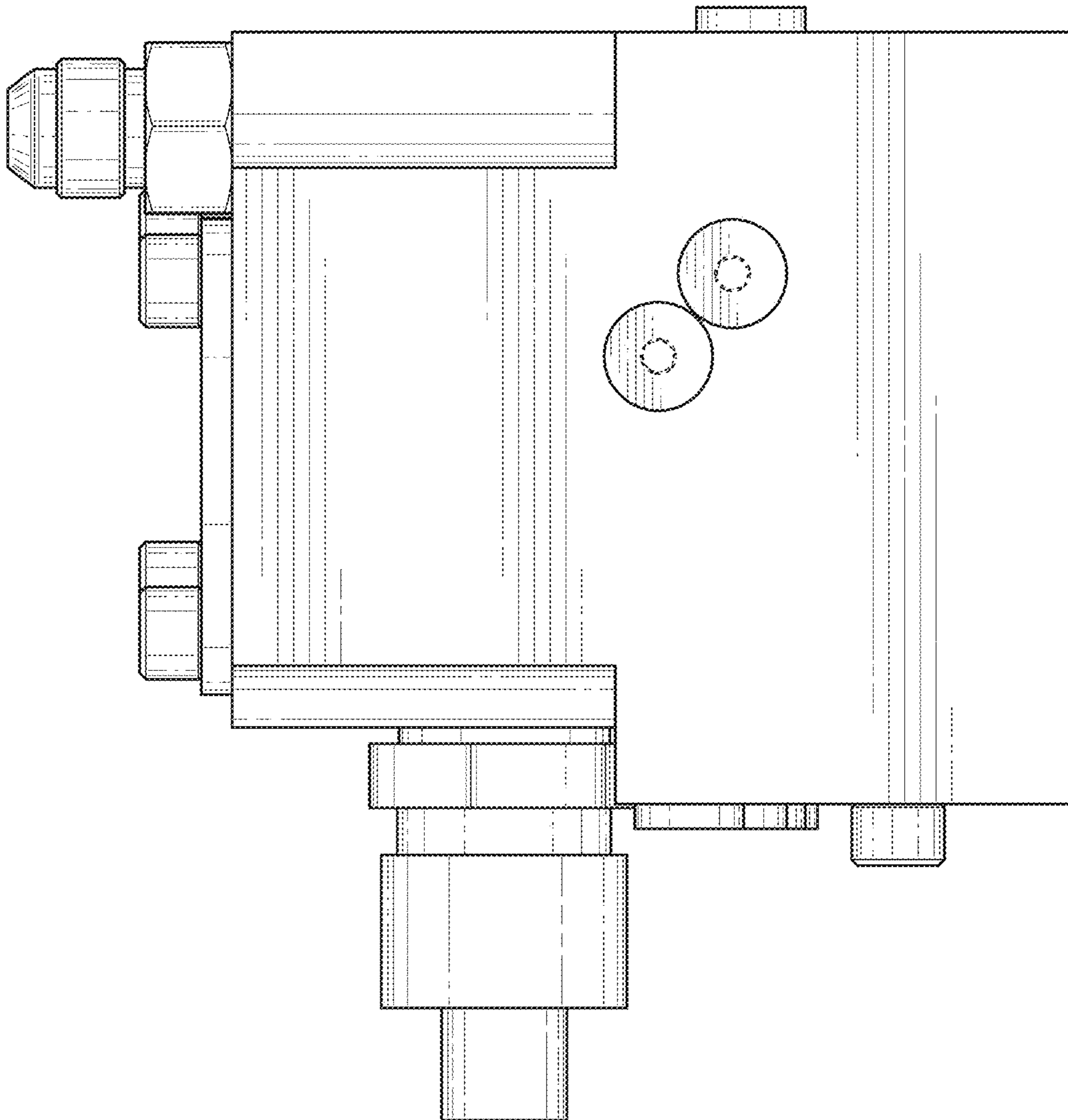


FIG. 5

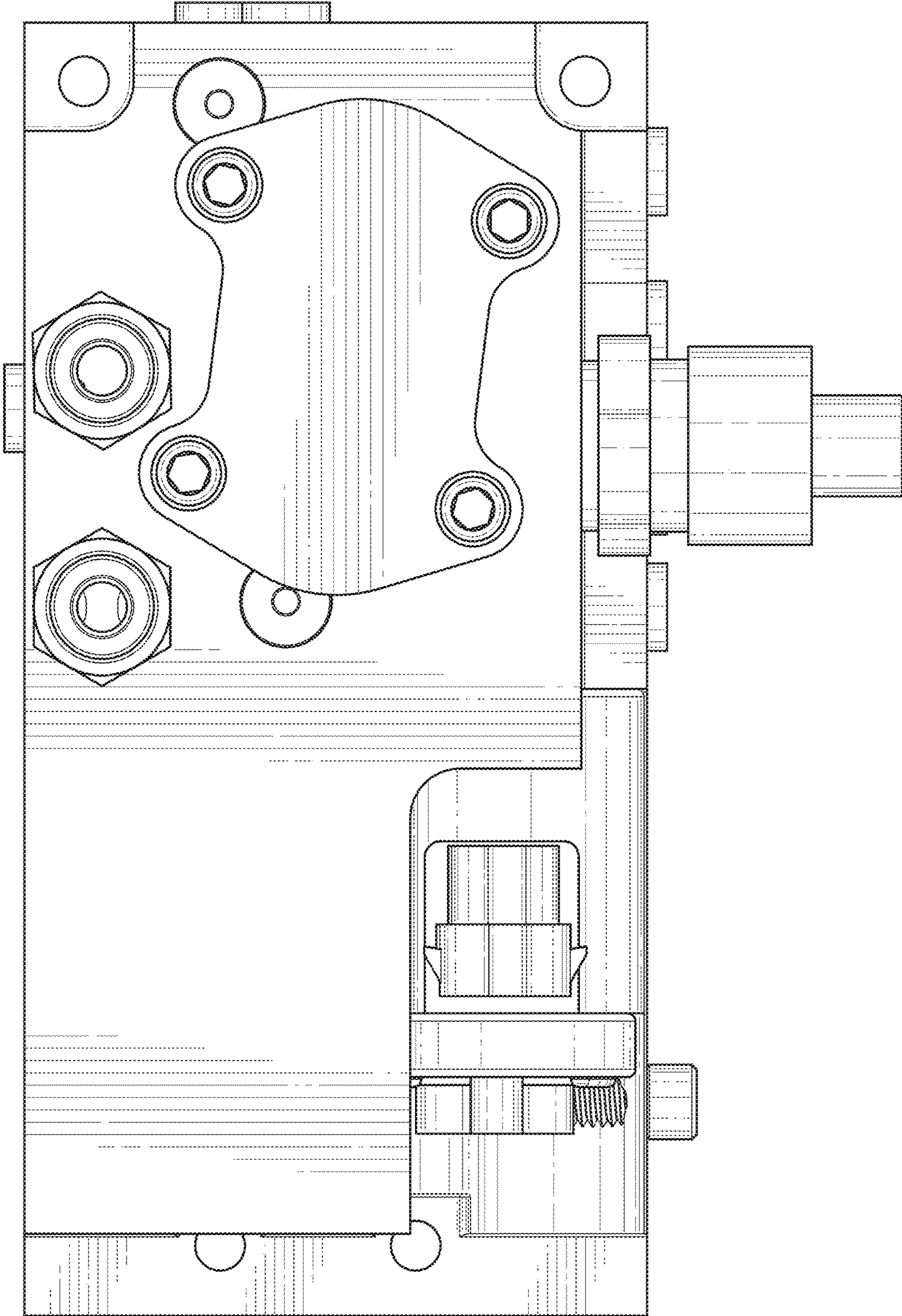


FIG. 6

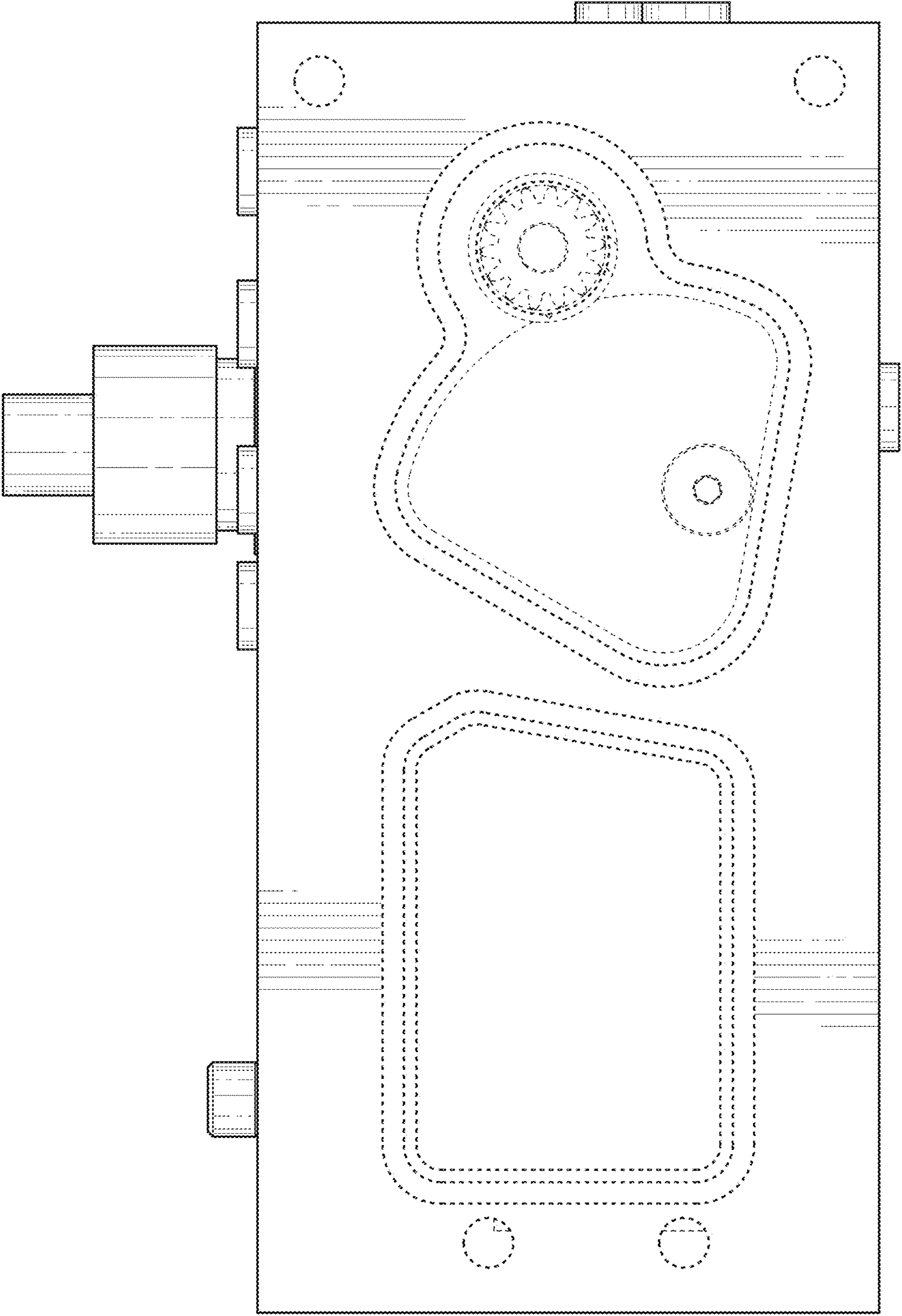


FIG. 7