



US00D966369S

(12) **United States Design Patent**
Wang et al.

(10) **Patent No.:** **US D966,369 S**

(45) **Date of Patent:** **** Oct. 11, 2022**

(54) **VACUUM PACKAGING MACHINE**

(71) Applicant: **Xiamen Agma Technology Co., Ltd.**,
Xiamen (CN)

(72) Inventors: **Wenzheng Wang**, Xiamen (CN);
Jianquan Wang, Xiamen (CN)

(73) Assignee: **XIAMEN AGMA TECHNOLOGY**
CO., LTD., Xiamen (CN)

(**) Term: **15 Years**

(21) Appl. No.: **29/777,839**

(22) Filed: **Apr. 8, 2021**

Related U.S. Application Data

(63) Continuation-in-part of application No. 29/743,229,
filed on Jul. 20, 2020.

(30) **Foreign Application Priority Data**

Jun. 23, 2020 (CN) 202030327237.7

(51) **LOC (13) Cl.** **15-99**

(52) **U.S. Cl.**
USPC **D15/146**

(58) **Field of Classification Search**
USPC D10/46, 104.1; D14/172, 420-425, 462,
D14/496, 509; D15/145, 146
CPC B65B 31/06; B29C 66/00145; B29C
66/1122; B29C 66/43121; B29C 66/8324
See application file for complete search history.

(56) **References Cited**

U.S. PATENT DOCUMENTS

D342,532 S * 12/1993 Deni D15/146
D515,601 S * 2/2006 Sholzberg D15/146
D597,572 S * 8/2009 Tsai D15/146
D633,118 S * 2/2011 Beatty D15/146

D658,694 S * 5/2012 Day D15/146
D686,649 S * 7/2013 Zhou D15/146
D687,079 S * 7/2013 Mueller D15/146
D694,793 S * 12/2013 Cumming D15/146
D694,794 S * 12/2013 Cumming D15/146
D763,334 S * 8/2016 Yoshitomi D15/146
D788,199 S * 5/2017 Owens D15/146
D789,431 S * 6/2017 Owens D15/146
D823,913 S * 7/2018 Chou D15/146
D847,226 S * 4/2019 Owens D15/134
D854,065 S * 7/2019 Owens D15/146
D854,594 S * 7/2019 Carey D15/146
D871,470 S * 12/2019 Xu D15/146

(Continued)

Primary Examiner — Michael C Stout

Assistant Examiner — Fritzgerald L Butac

(74) *Attorney, Agent, or Firm* — Muncy, Geissler, Olds &
Lowe, P.C.

(57) **CLAIM**

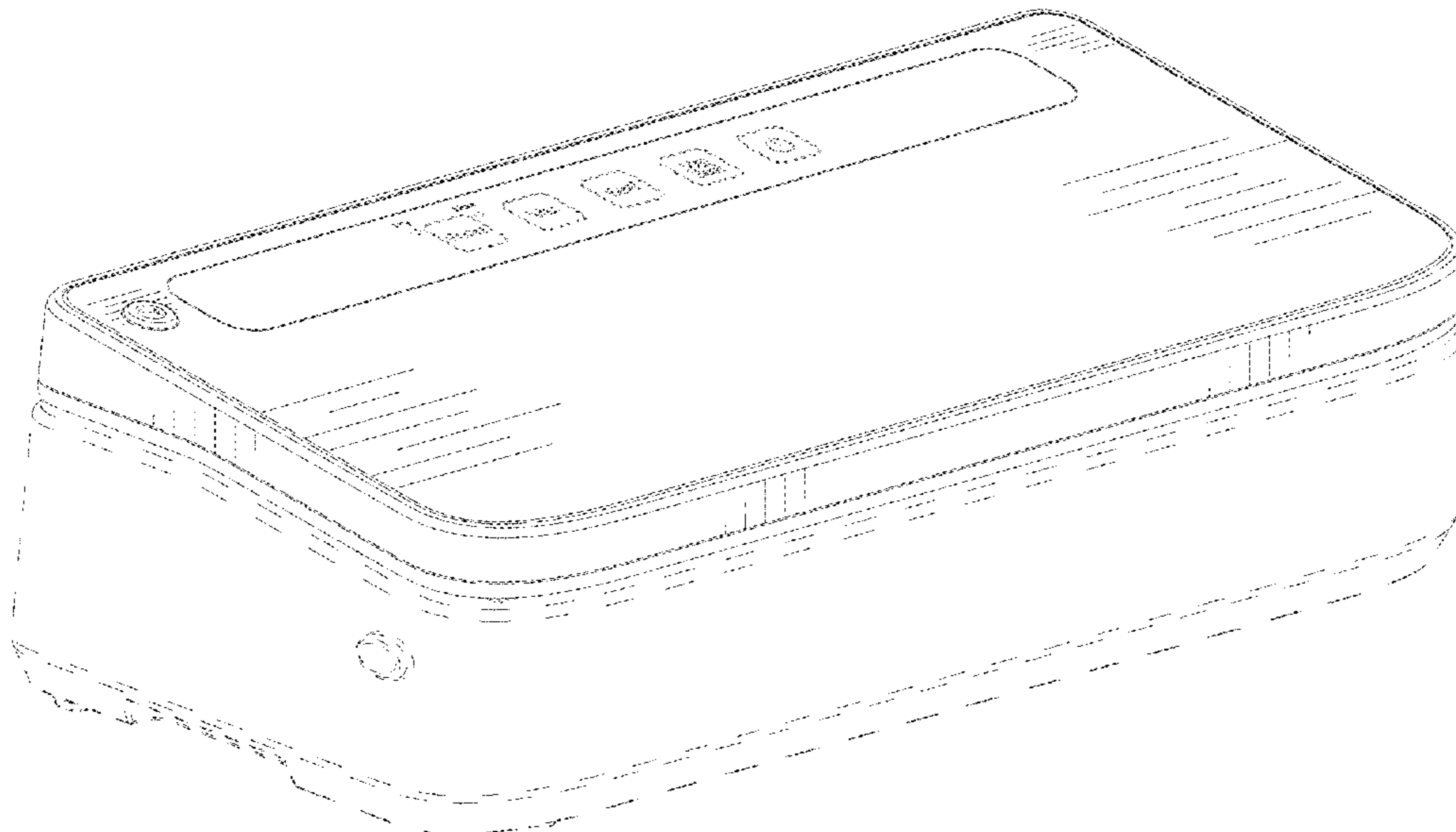
The ornamental design for a vacuum packaging machine, as
shown and described.

DESCRIPTION

FIG. 1 is a front elevational view of a vacuum packaging
machine showing the new design;
FIG. 2 is a rear elevational view thereof;
FIG. 3 is a left-side elevational view thereof;
FIG. 4 is a right-side elevational view thereof;
FIG. 5 is a top plan view thereof;
FIG. 6 is a bottom plan view thereof;
FIG. 7 is a top, front, left perspective view thereof;
FIG. 8 is a bottom, rear, right perspective view thereof;
FIG. 9 is an enlarged view of the encircled portion '9' in
FIG. 3 thereof; and,
FIG. 10 is an enlarged view of the encircled portion '10' in
FIG. 4 thereof.

The broken lines illustrate portions of the vacuum packaging
machine which form no part of the claimed design.

1 Claim, 10 Drawing Sheets



(56)

References Cited

U.S. PATENT DOCUMENTS

D881,245 S *	4/2020	Zheng	D15/146
D910,726 S *	2/2021	Sun	D15/146
D912,710 S *	3/2021	Choi	D15/146
D912,711 S *	3/2021	Choi	D15/146
D921,730 S *	6/2021	Chen	D15/146
D922,462 S *	6/2021	Leyden	D15/146
D924,290 S *	7/2021	Eurich	D15/146
D926,849 S *	8/2021	Eurich	D15/146
D936,717 S *	11/2021	Chen	D15/146

* cited by examiner



FIG.1

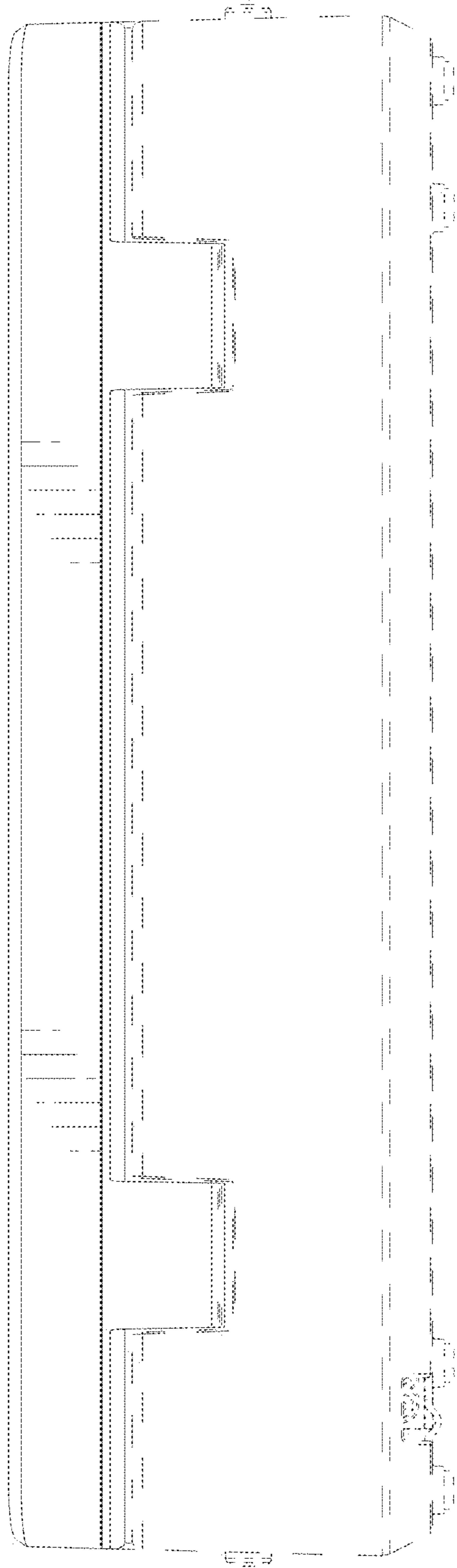


FIG.2

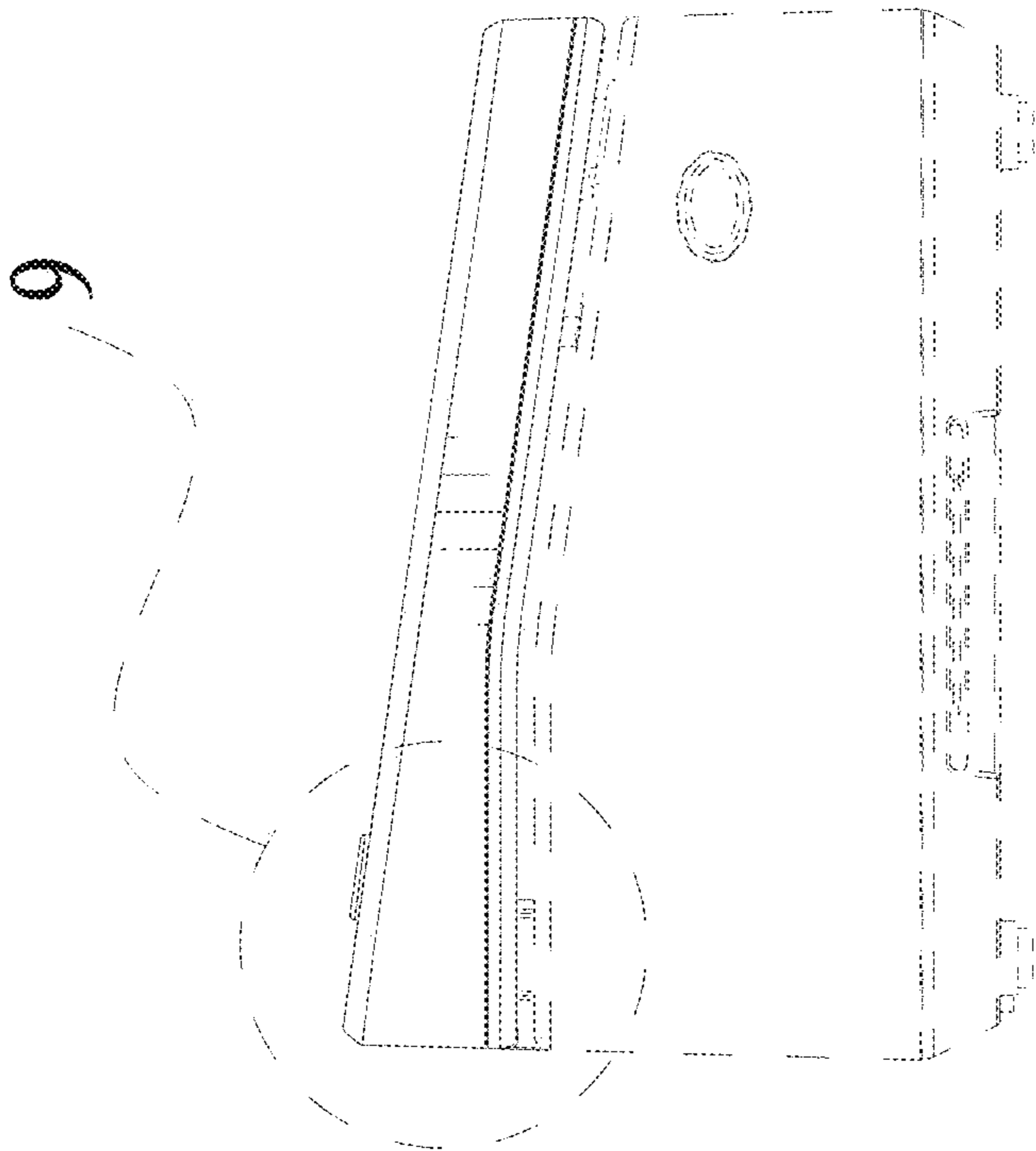


FIG.3

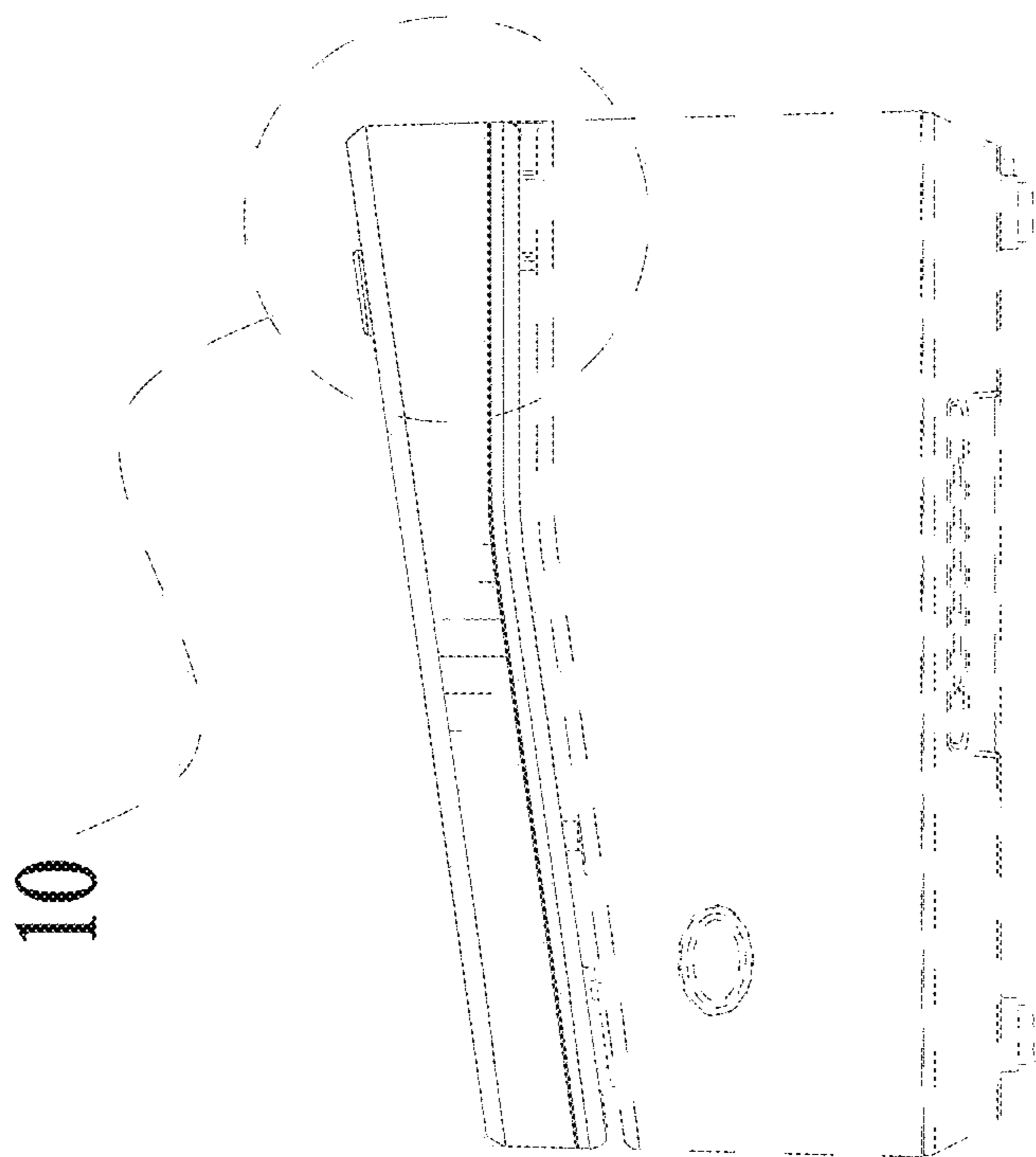


FIG.4

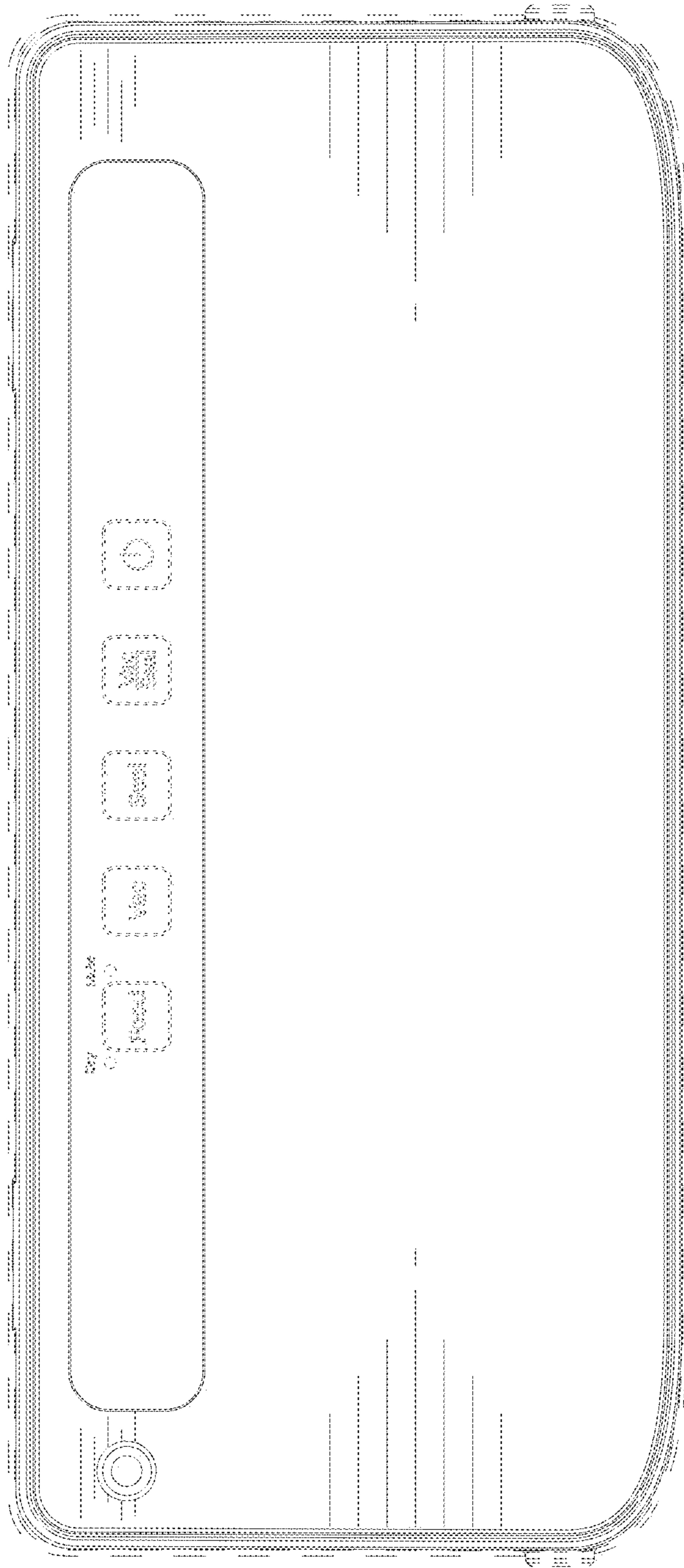


FIG. 5

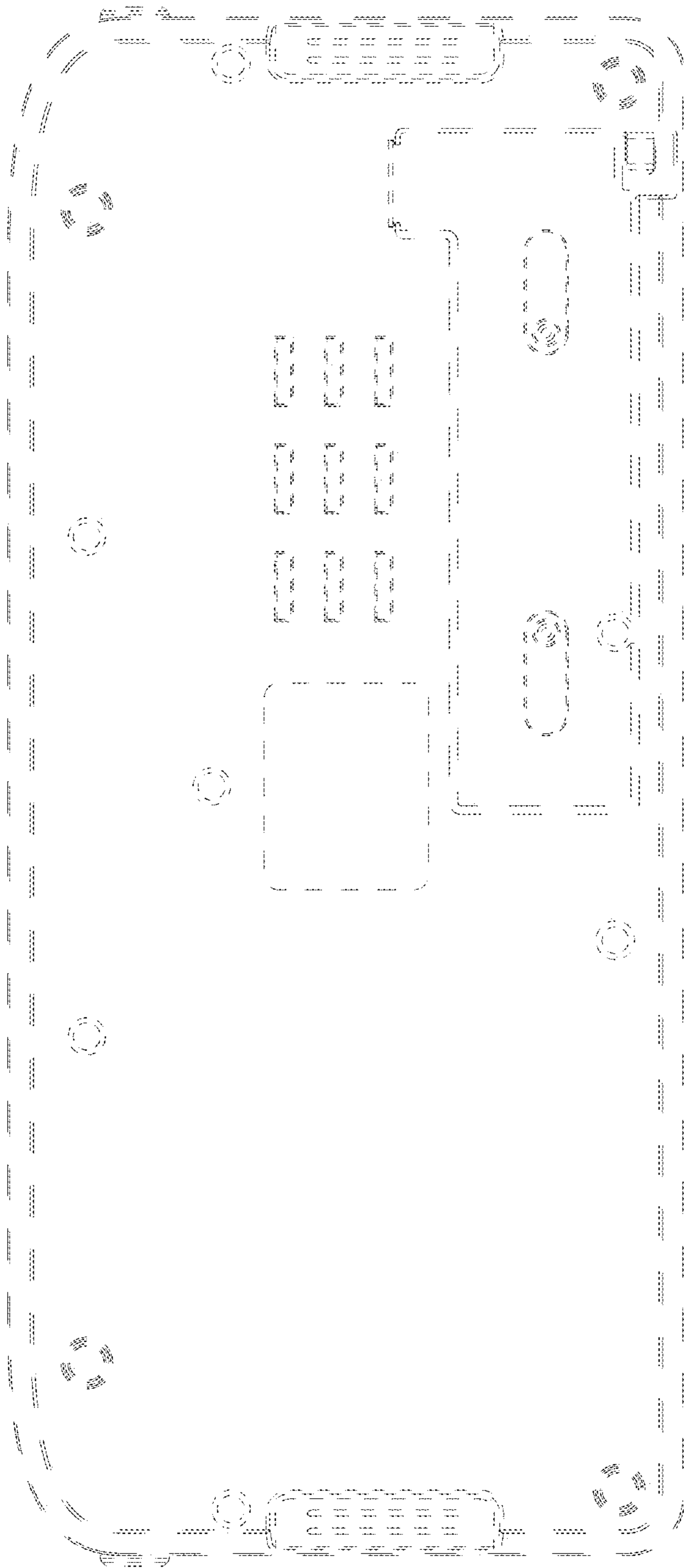


FIG. 6

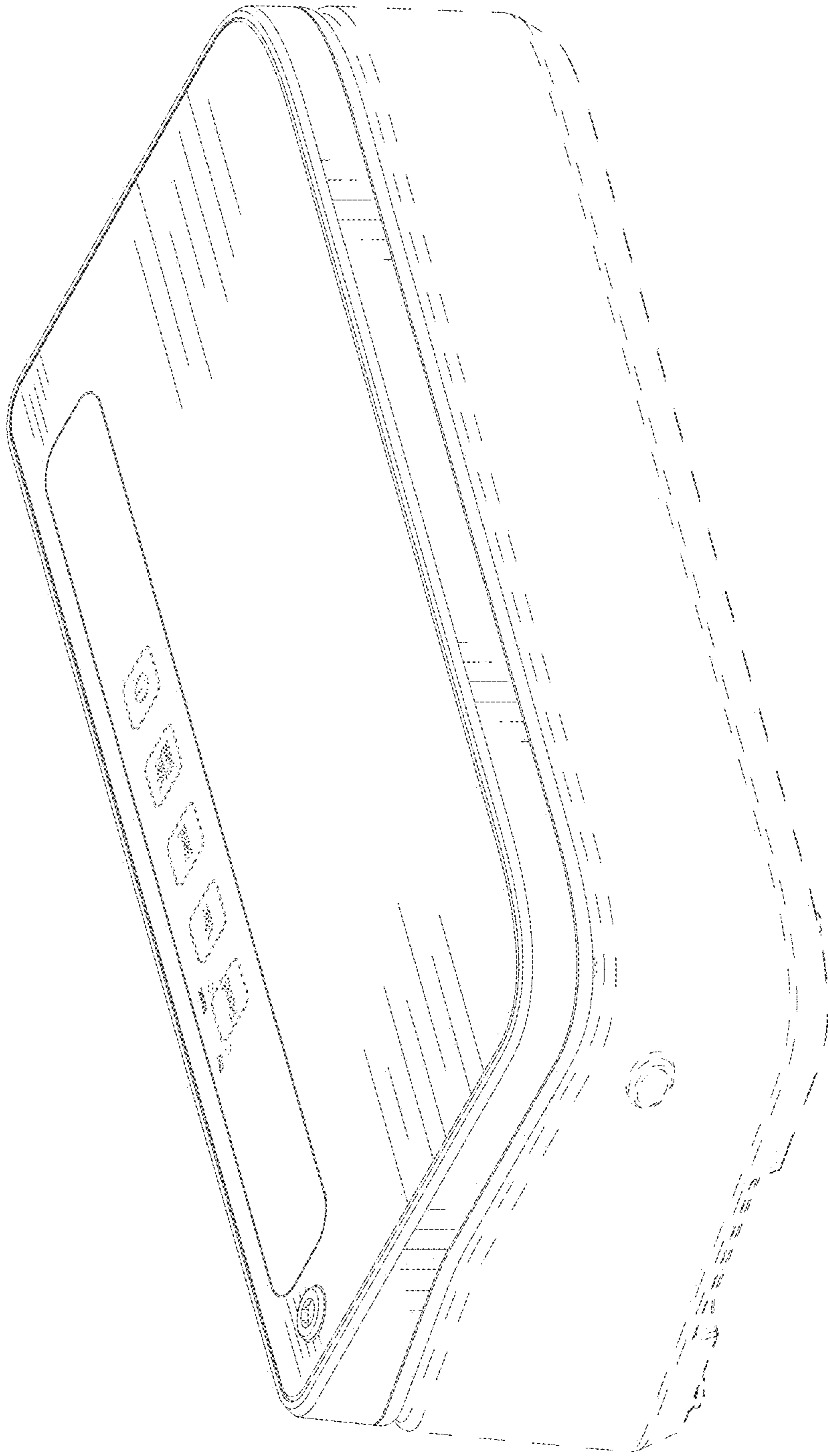


FIG.7

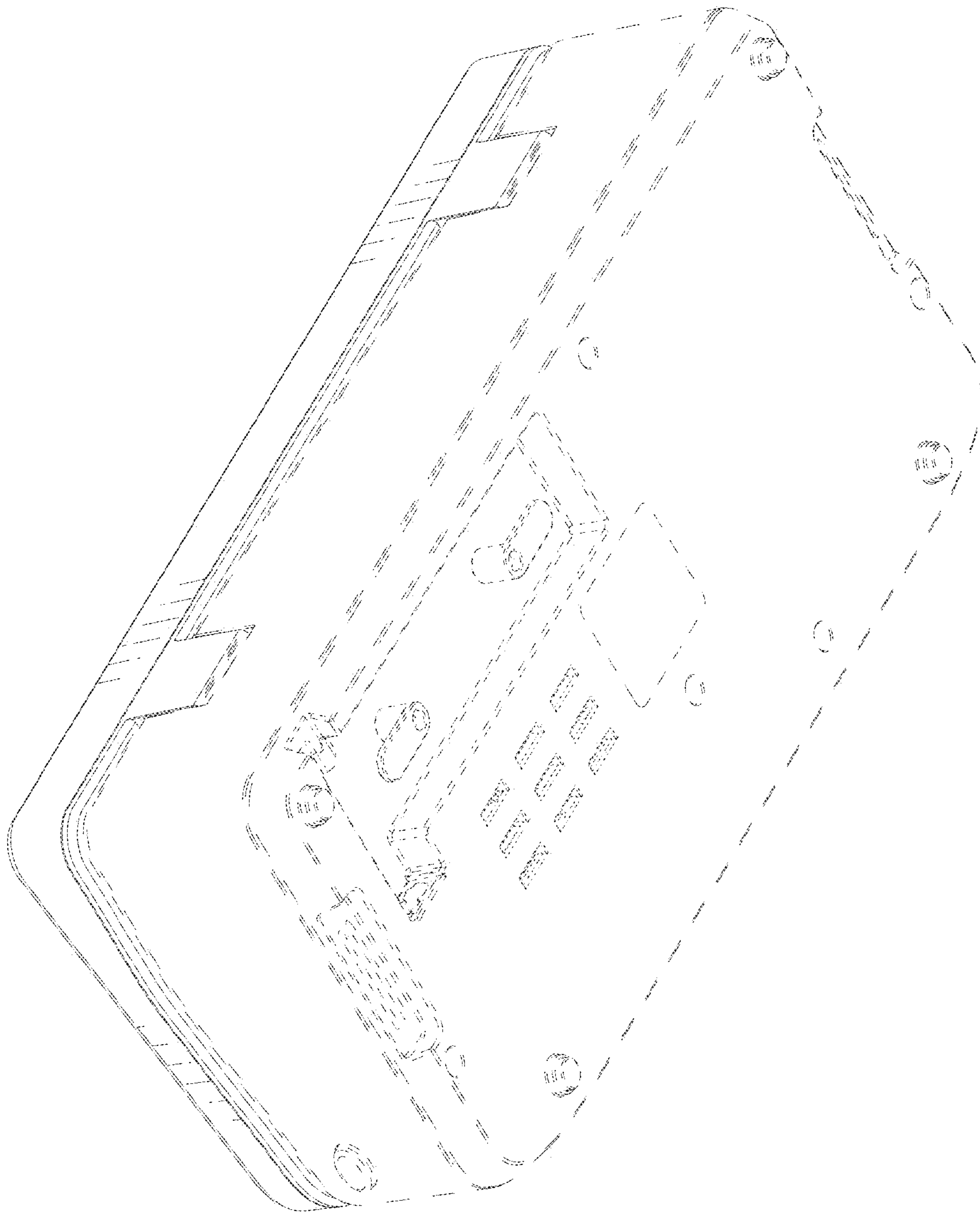


FIG.8

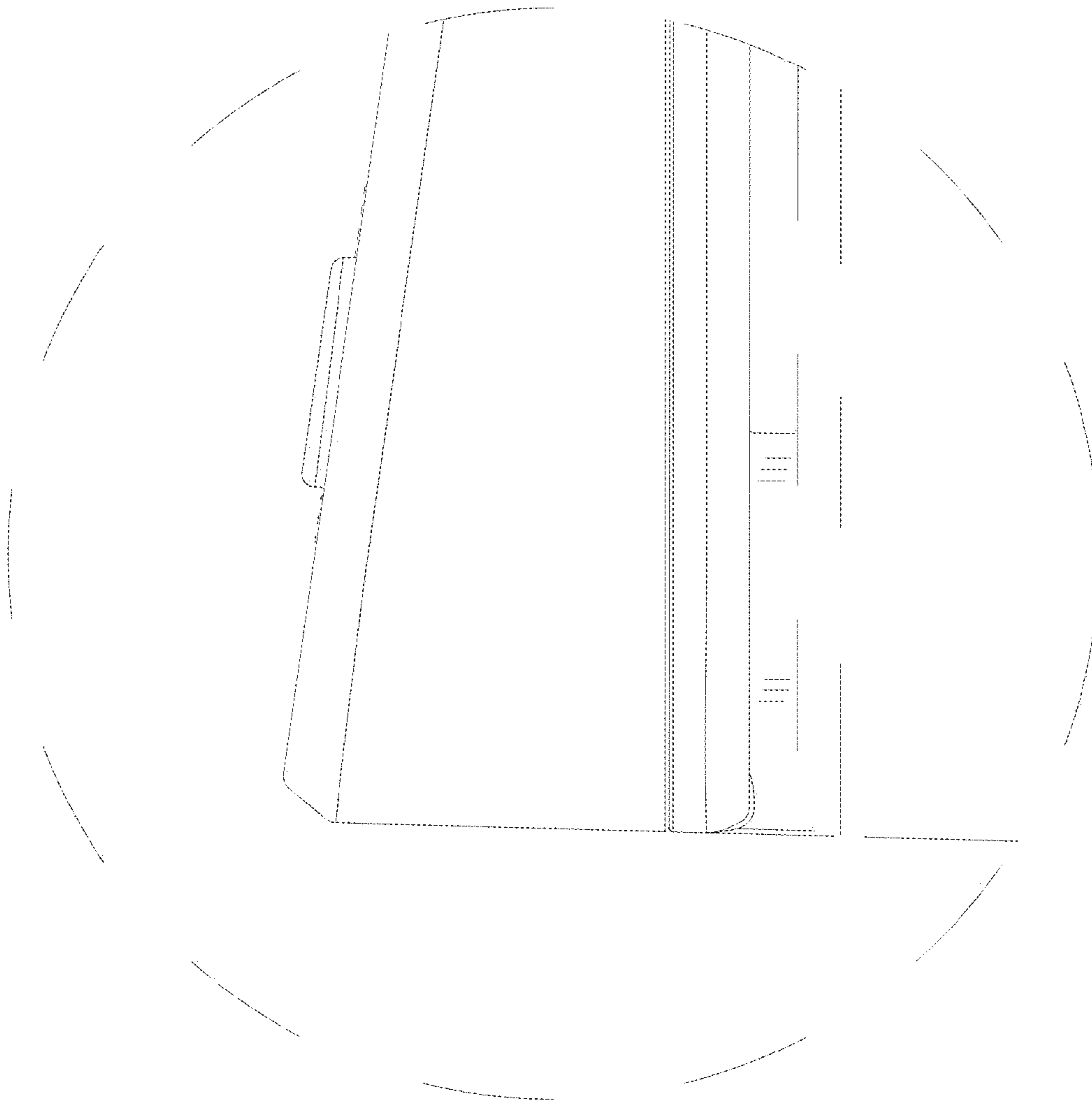


FIG.9

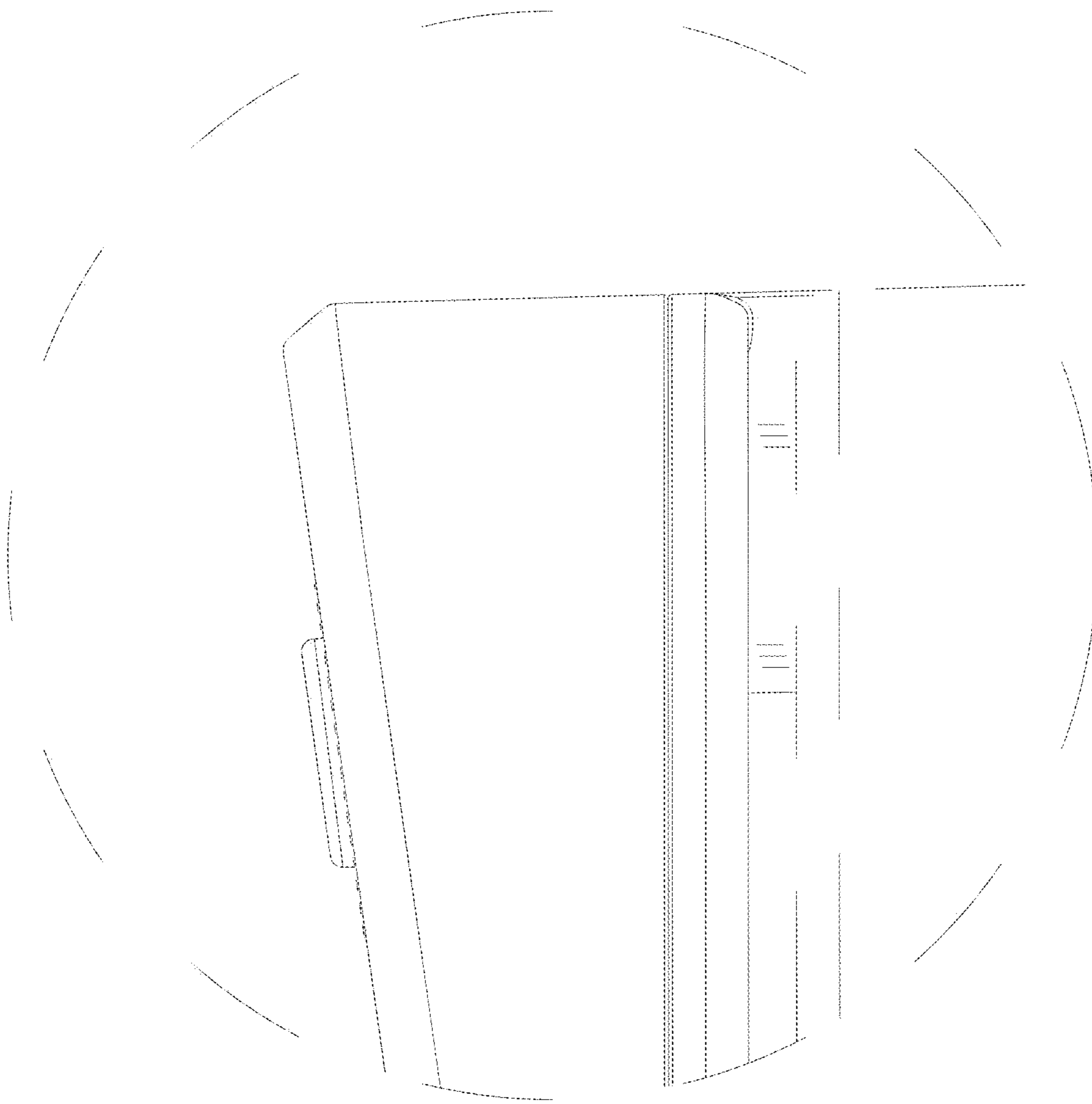


FIG. 10