



US00D966367S

(12) **United States Design Patent** (10) **Patent No.:** **US D966,367 S**
Souza et al. (45) **Date of Patent:** **** Oct. 11, 2022**

(54) **APPLIANCE**
(71) Applicant: **Sunbeam Products, Inc.**, Boca Raton, FL (US)
(72) Inventors: **Marcel Souza**, Mattawan, MI (US); **Heather McKenzie**, Delray Beach, FL (US); **Caleb Teerman**, Grand Rapids, MI (US); **Tim Haley**, Kalamazoo, MI (US)
(73) Assignee: **Sunbeam Products, Inc.**, Boca Raton, FL (US)
(**) Term: **15 Years**
(21) Appl. No.: **29/768,822**
(22) Filed: **Feb. 1, 2021**
(51) **LOC (13) Cl.** **15-09**
(52) **U.S. Cl.**
USPC **D15/146**
(58) **Field of Classification Search**
USPC D15/145, 146; D18/50
CPC B65B 31/046; B65B 31/047
See application file for complete search history.

(56) **References Cited**
U.S. PATENT DOCUMENTS
D215,568 S * 10/1969 Kellogg D15/146
D249,526 S * 9/1978 Kishida D15/146
D341,845 S * 11/1993 Caruso D15/146
5,655,357 A * 8/1997 Kristen B65B 31/046
53/512
6,694,710 B2 * 2/2004 Wang B65B 31/06
53/88
D501,859 S * 2/2005 Presta D15/146
7,003,928 B2 * 2/2006 Patterson B65B 51/146
53/434
D536,355 S * 2/2007 Levsen D15/146

7,204,067 B2 * 4/2007 Baptista B65B 31/046
53/512
7,540,127 B2 * 6/2009 Sung B65B 31/047
53/434
D633,118 S * 2/2011 Beatty D15/146
D682,328 S * 5/2013 Day D15/146
D682,329 S * 5/2013 Day D15/146
D694,792 S * 12/2013 Day D15/146
D694,794 S * 12/2013 Cumming D15/146
D706,846 S * 6/2014 Rim D15/145
D763,334 S * 8/2016 Yoshitomi D15/146
D789,431 S * 6/2017 Owens D15/146
D854,065 S * 7/2019 Owens D15/146
D866,624 S * 11/2019 Choi D15/146
D871,470 S * 12/2019 Xu D15/146
D905,772 S * 12/2020 Li D15/146
D910,100 S * 2/2021 Qiu D15/146
D910,726 S * 2/2021 Sun D15/146
D912,710 S * 3/2021 Choi D15/146
D912,711 S * 3/2021 Choi D15/146
D930,724 S * 9/2021 Zhou D15/146
D936,120 S * 11/2021 Minibaev D15/146

(Continued)

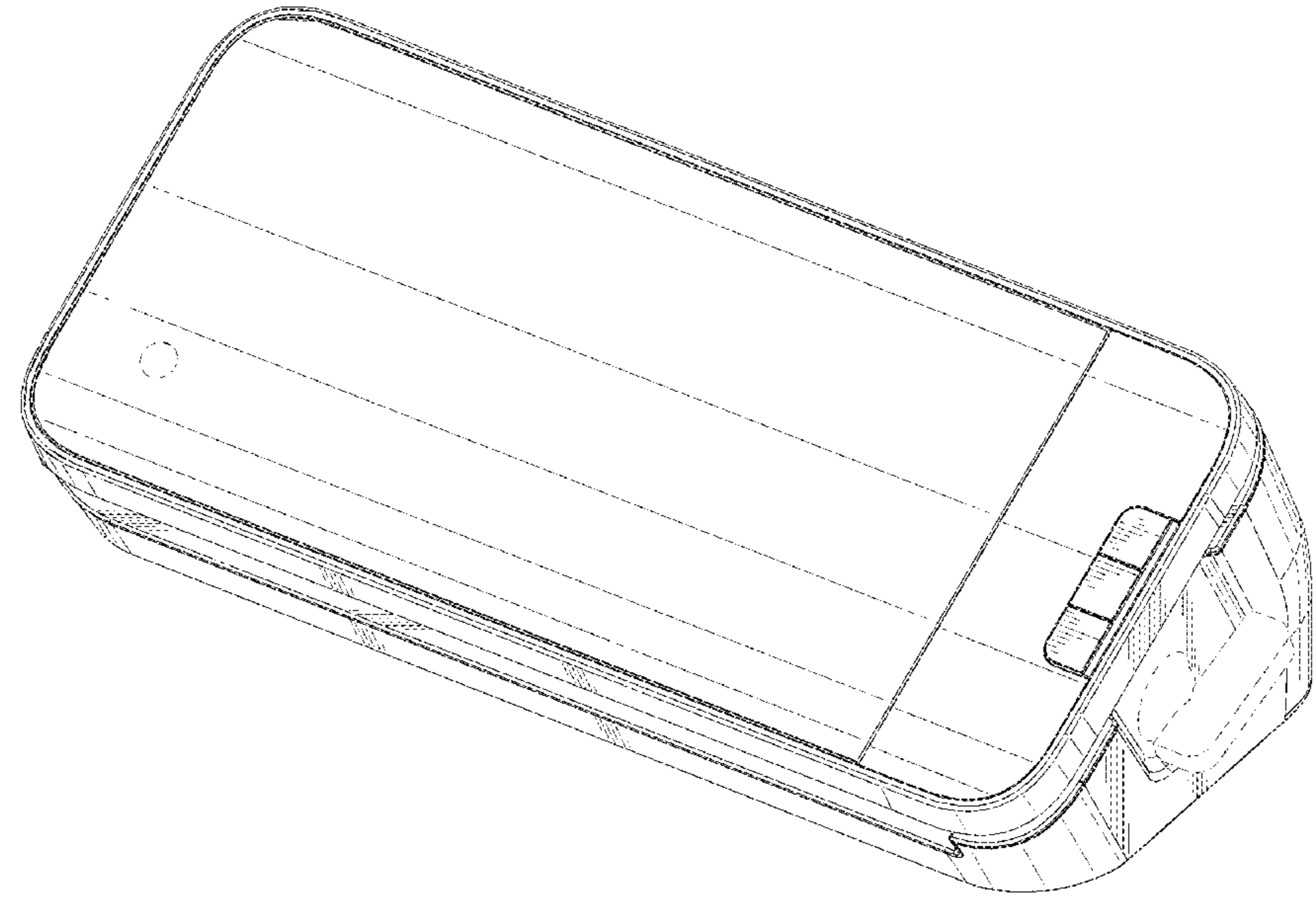
Primary Examiner — Patricia A Palasik
(74) *Attorney, Agent, or Firm* — Husch Blackwell LLP

(57) **CLAIM**
We claim the ornamental design for an appliance, as shown and described.

DESCRIPTION

FIG. 1 is a perspective view of an appliance;
FIG. 2 is a top plan view of the appliance;
FIG. 3 is a right side elevation view of the appliance;
FIG. 4 is a left side elevation view of the appliance;
FIG. 5 is a front elevation view of the appliance;
FIG. 6 is a rear elevation view of the appliance; and,
FIG. 7 is a bottom plan view of the appliance.
Broken lines shown in the drawing views are included for illustrative purposes only and form no part of the claimed design.

1 Claim, 6 Drawing Sheets



(56)

References Cited

U.S. PATENT DOCUMENTS

D936,717 S * 11/2021 Chen D15/146
D937,919 S * 12/2021 Chen D15/146
2005/0022480 A1* 2/2005 Brakes B65B 31/046
53/512

* cited by examiner

FIG. 1

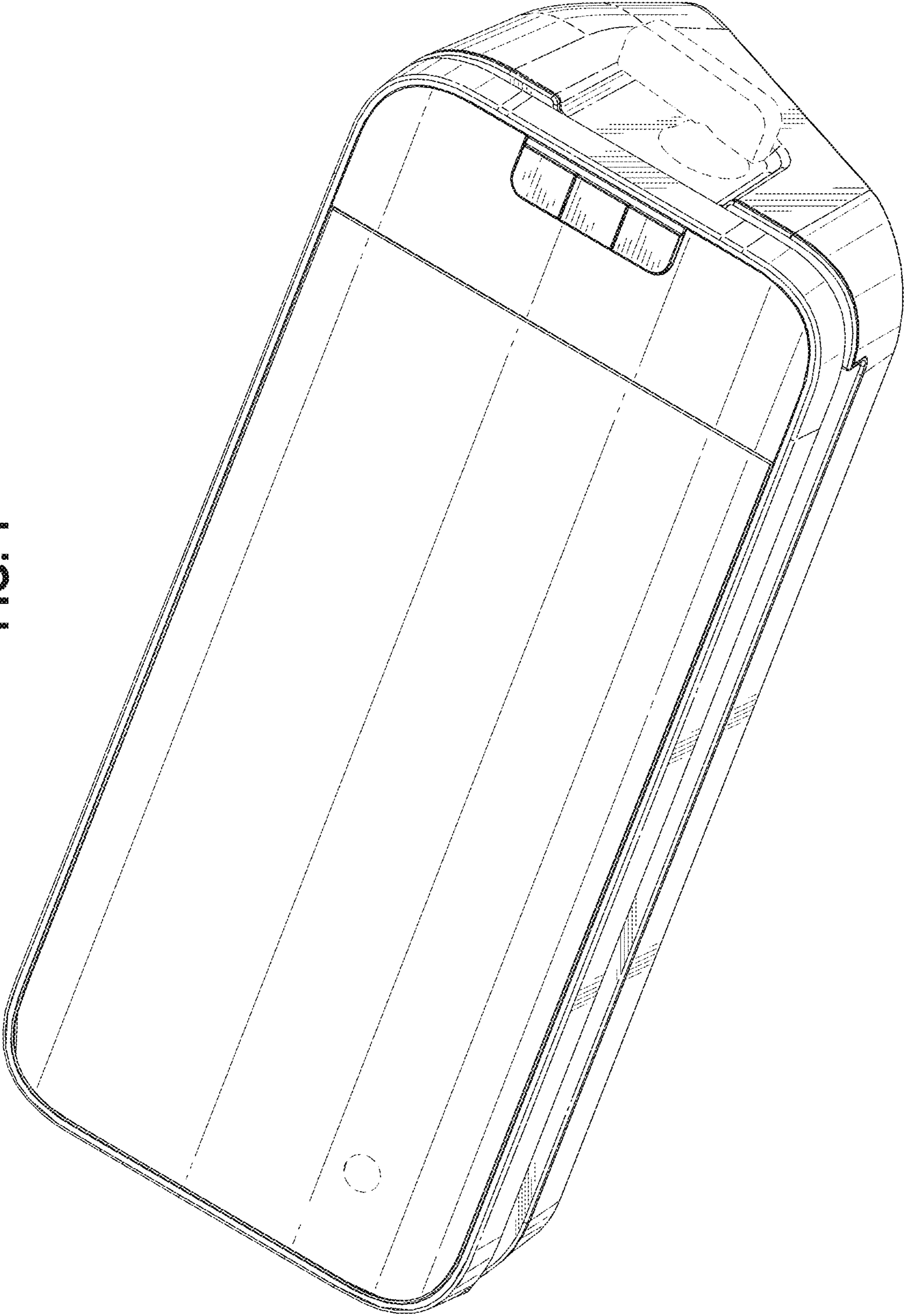


FIG. 2

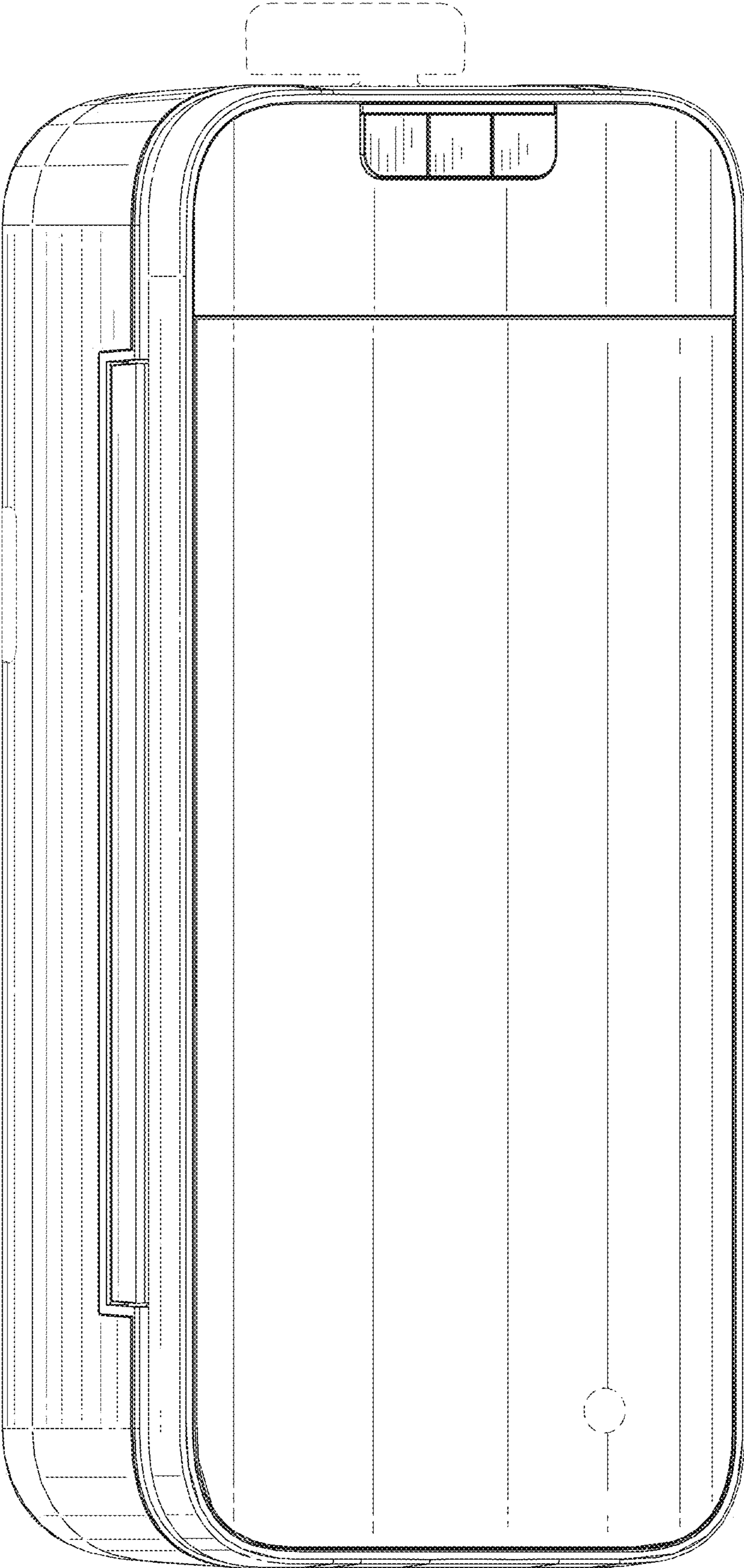


FIG. 3

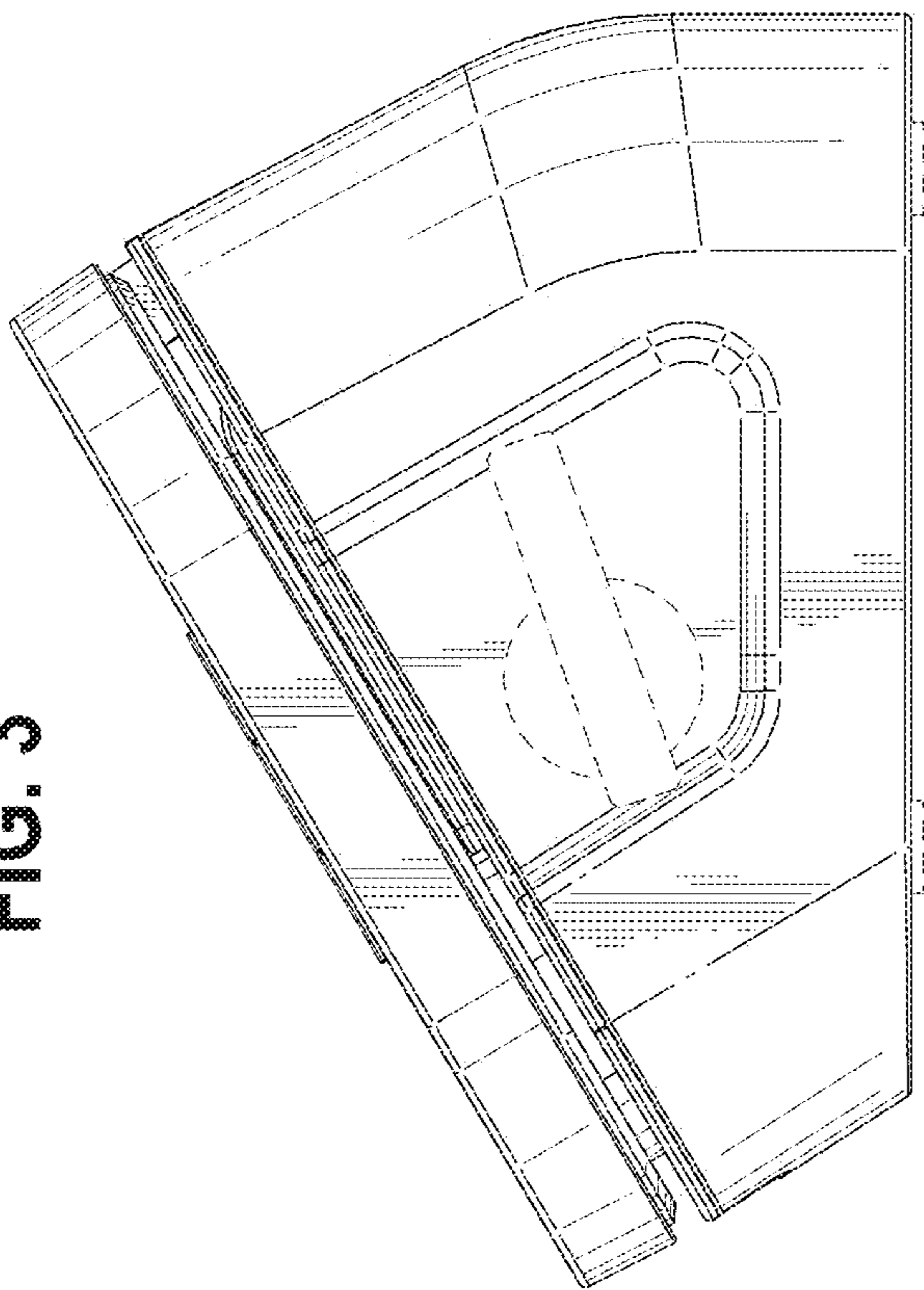


FIG. 4

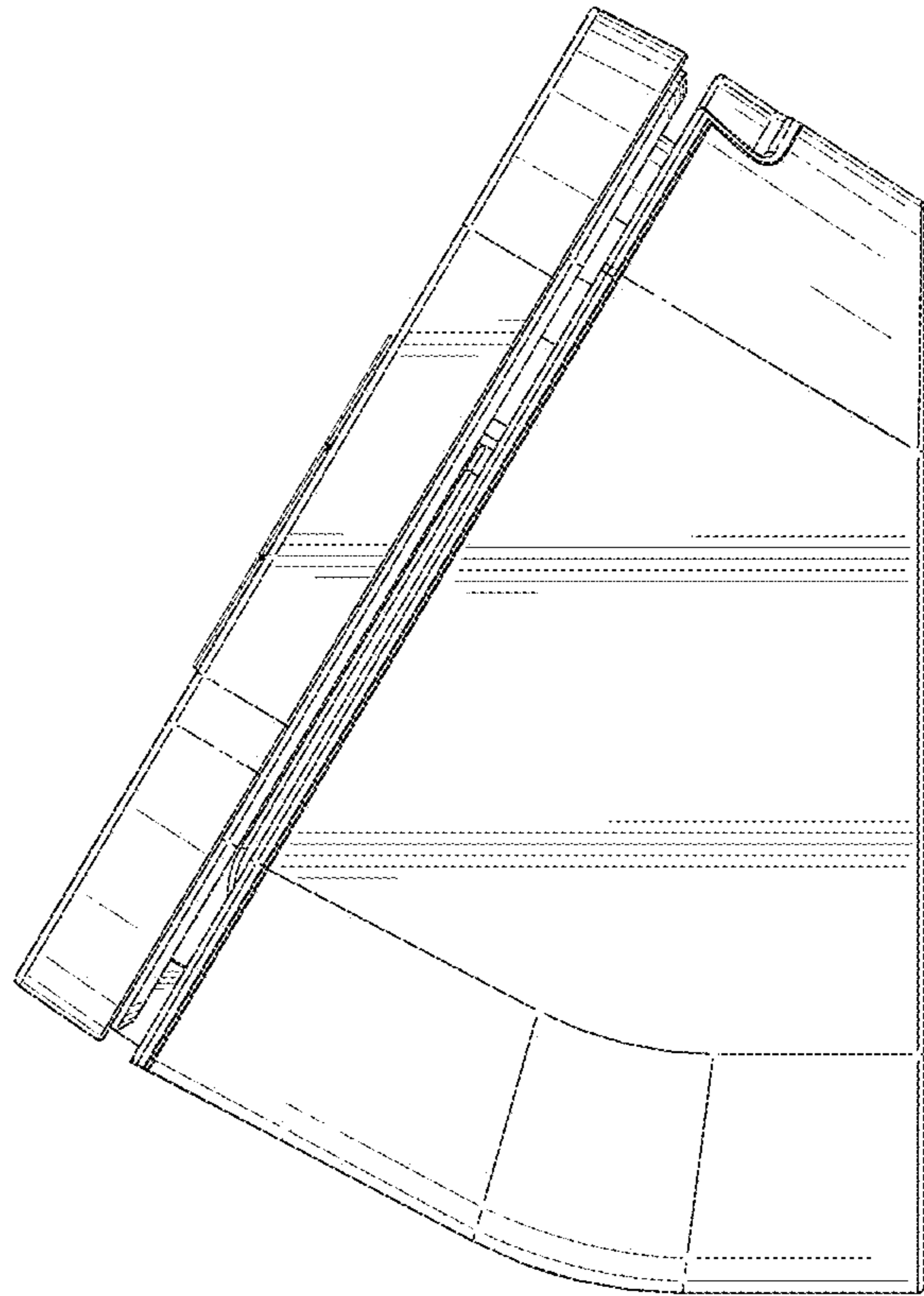


FIG. 5

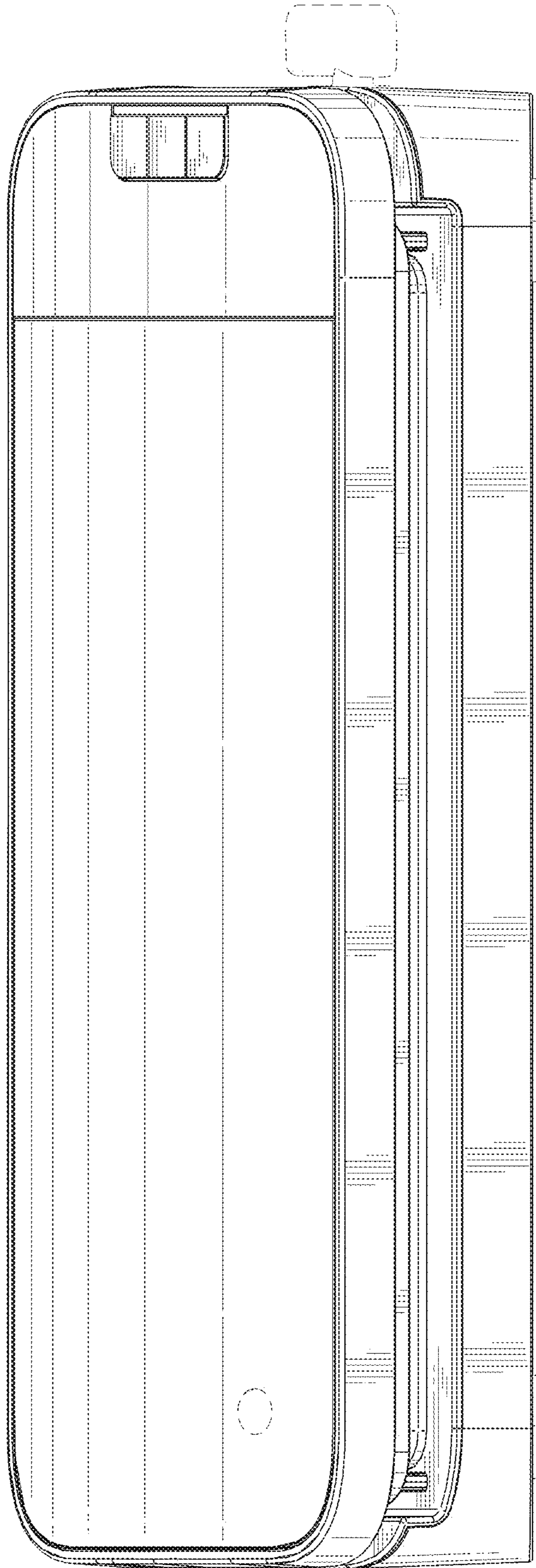


FIG. 6

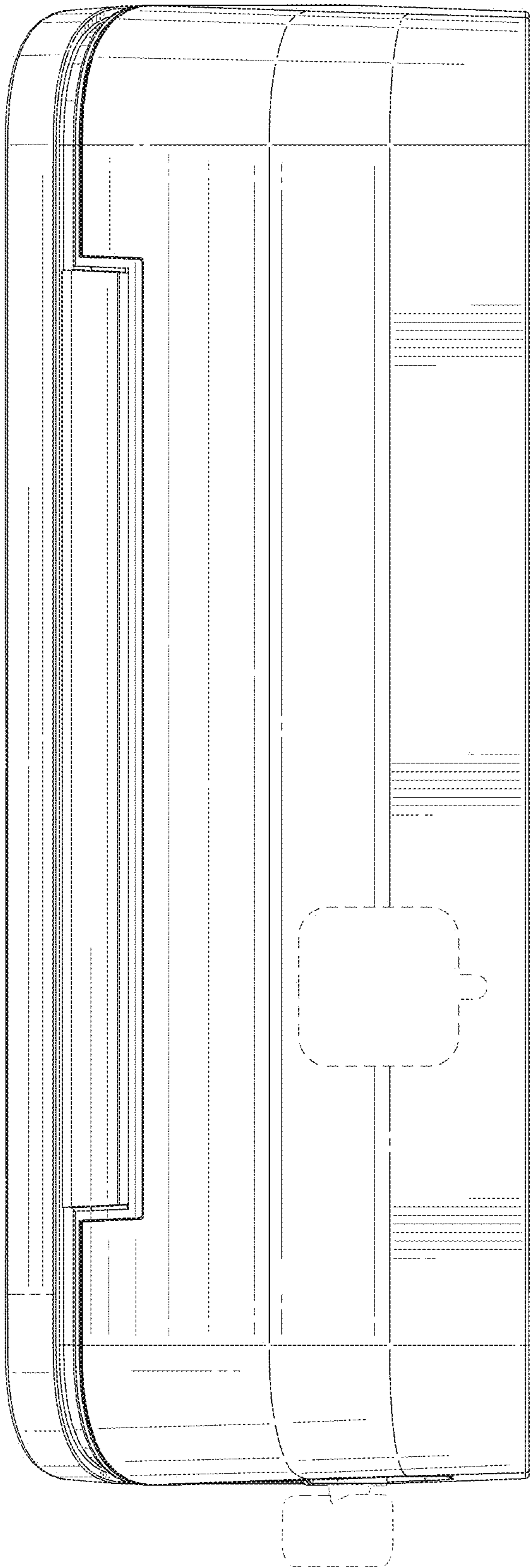


FIG. 7

