



US00D966366S

(12) **United States Design Patent**
Gou

(10) **Patent No.:** **US D966,366 S**
(45) **Date of Patent:** **** Oct. 11, 2022**

- (54) **HOT AIR BLOWING TOOL FOR MELTING SOLDER**
- (71) Applicant: **Guangzhou Yihua Electronic Equipment Co., Ltd., Guangdong (CN)**
- (72) Inventor: **Mingkang Gou, Guangdong (CN)**
- (73) Assignee: **Guangzhou Yihua Electronic Equipment Co., Ltd., Guangdong (CN)**

(**) Term: **15 Years**

(21) Appl. No.: **29/748,324**

(22) Filed: **Aug. 28, 2020**

(51) **LOC (13) Cl.** **15-09**

(52) **U.S. Cl.**
USPC **D15/144.2; D8/29.1**

(58) **Field of Classification Search**
USPC D8/14, 29, 29.1, 29.2, 30, 69, 71, 107;
D10/46, 50, 78; D13/123, 133;
D14/126; D15/122, 123, 127, 144, 144.1,
D15/144.2; D28/13
CPC F23H 3/00; F23H 3/02; F23H 3/0423
See application file for complete search history.

(56) **References Cited**

U.S. PATENT DOCUMENTS

- 2,534,257 A * 12/1950 Flournoy B23K 3/02
228/55
- 3,003,049 A * 10/1961 Thomas B23K 3/0615
228/53
- 3,103,906 A * 9/1963 Herbold B23K 3/02
228/35
- 3,813,023 A * 5/1974 Auray B23K 3/025
228/19

- 4,762,979 A * 8/1988 Geoffroi B23K 3/027
219/230
- D659,496 S * 5/2012 Mochizuki D8/29.1
- D743,764 S * 11/2015 Teraoka D8/29.1
- D858,229 S * 9/2019 Willey D8/14
- D862,547 S * 10/2019 Xie D15/144.2
- D865,014 S * 10/2019 Xu D15/144.2
- D879,169 S * 3/2020 Xu D15/144.2
- D897,172 S * 9/2020 Kita D8/30
- D905,519 S * 12/2020 Gou D8/29.1
- D918,974 S * 5/2021 Bublitz D15/144.2
- D918,975 S * 5/2021 Bublitz D15/144.2

* cited by examiner

Primary Examiner — Michael C Stout
Assistant Examiner — Fritzgerald L Butac
(74) *Attorney, Agent, or Firm* — Lucas & Mercanti, LLP

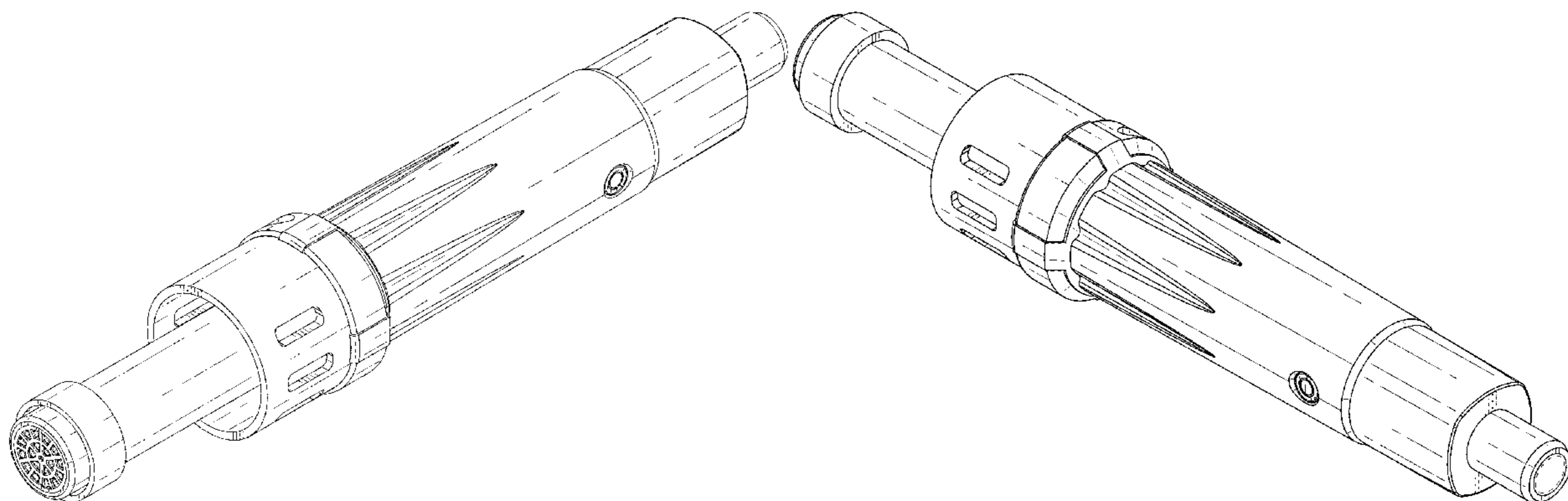
(57) **CLAIM**

The ornamental design for a hot air blowing tool for melting solder, as shown and described.

DESCRIPTION

FIG. 1 is a top, front, left side perspective view of the hot air blowing tool for melting solder;
FIG. 2 is a rear, right side perspective view thereof;
FIG. 3 is a left side view thereof;
FIG. 4 is a right side view thereof;
FIG. 5 is a top view thereof;
FIG. 6 is a bottom view thereof;
FIG. 7 is a front view thereof; and,
FIG. 8 is a rear view thereof.
The broken lines show portions of a hot air blowing tool for melting solder which forms no part of the claimed design.

1 Claim, 5 Drawing Sheets



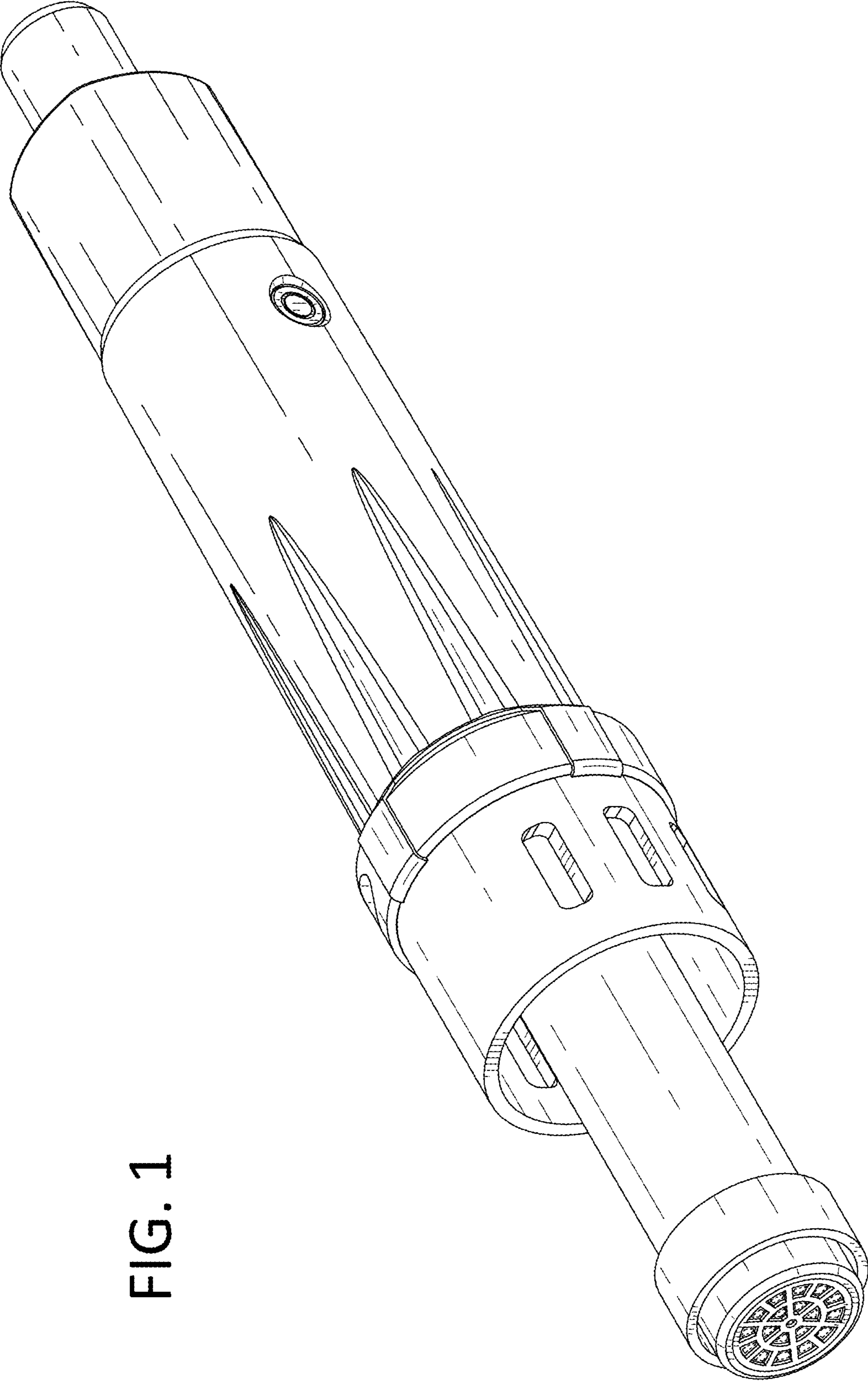
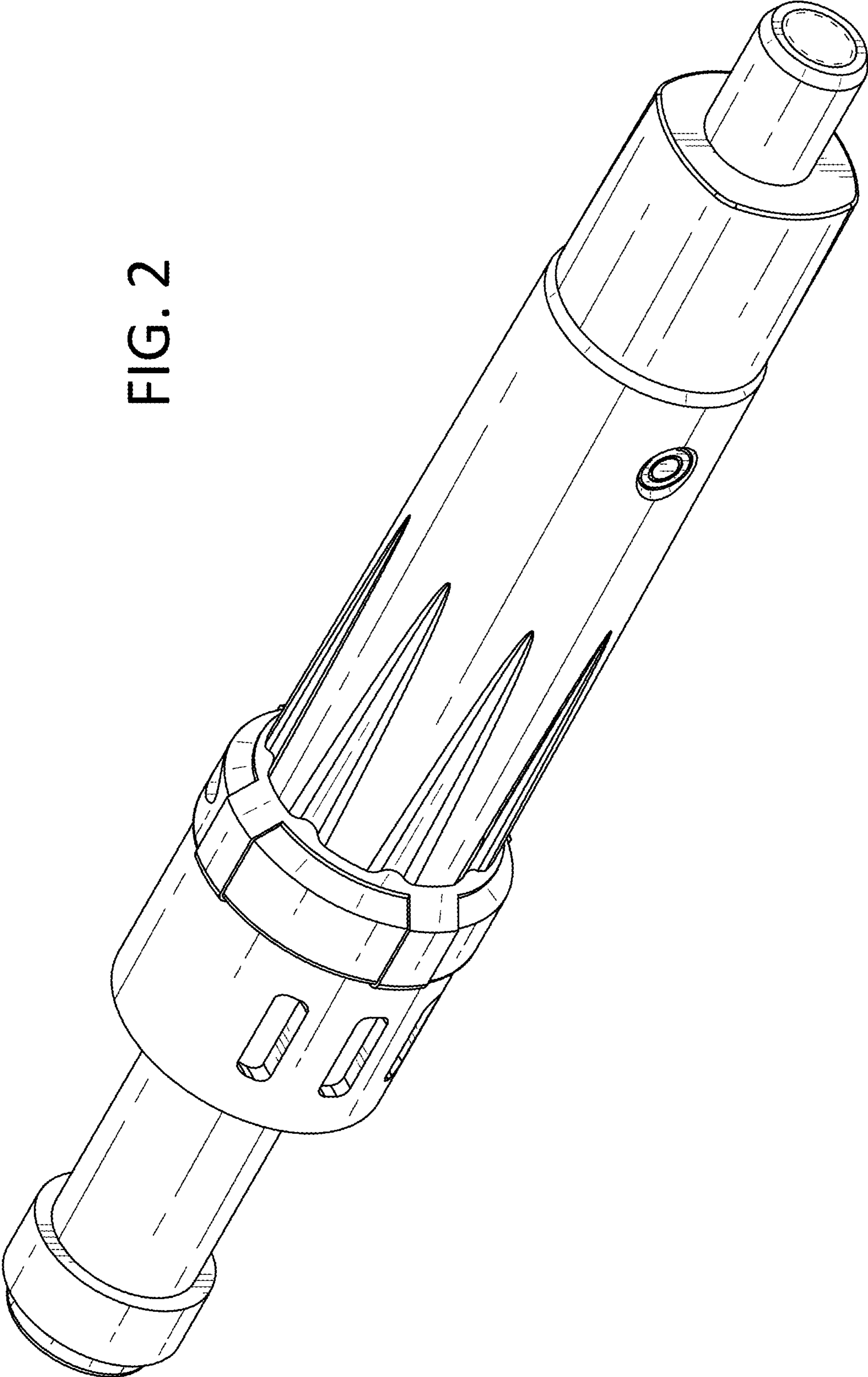


FIG. 1

FIG. 2



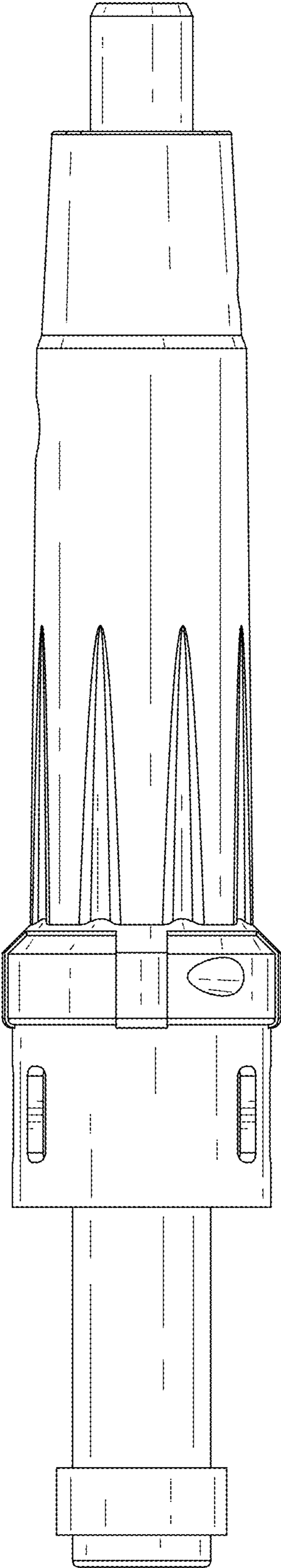


FIG. 3

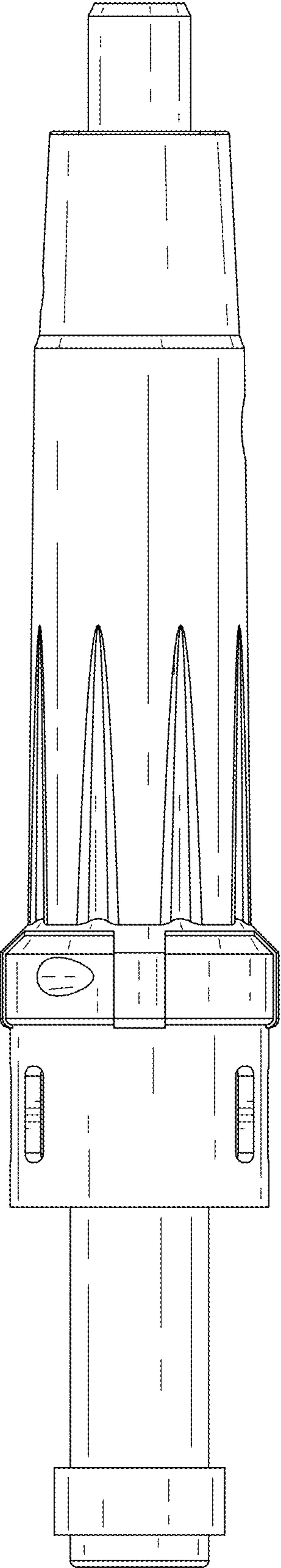


FIG. 4

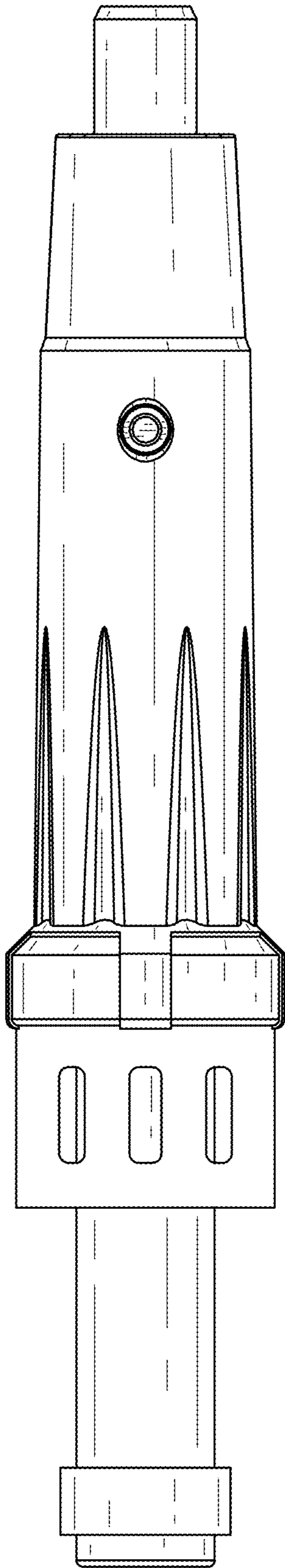


FIG. 5

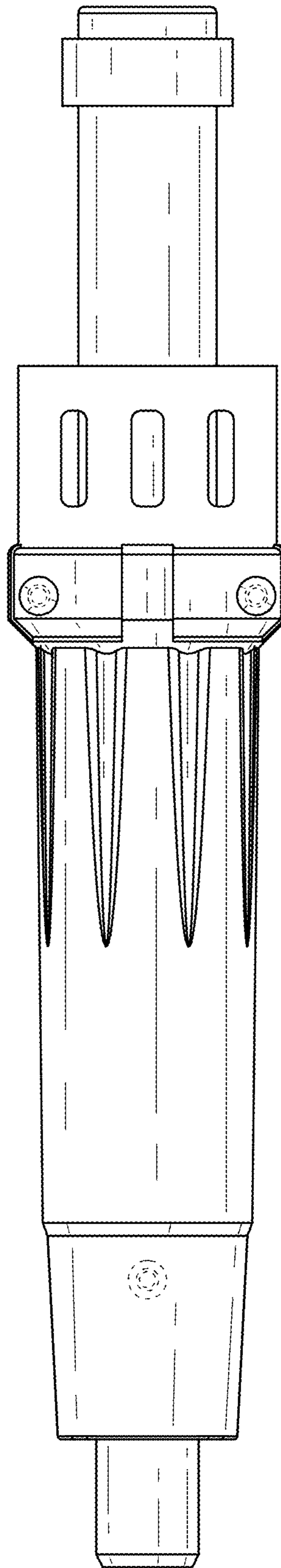


FIG. 6

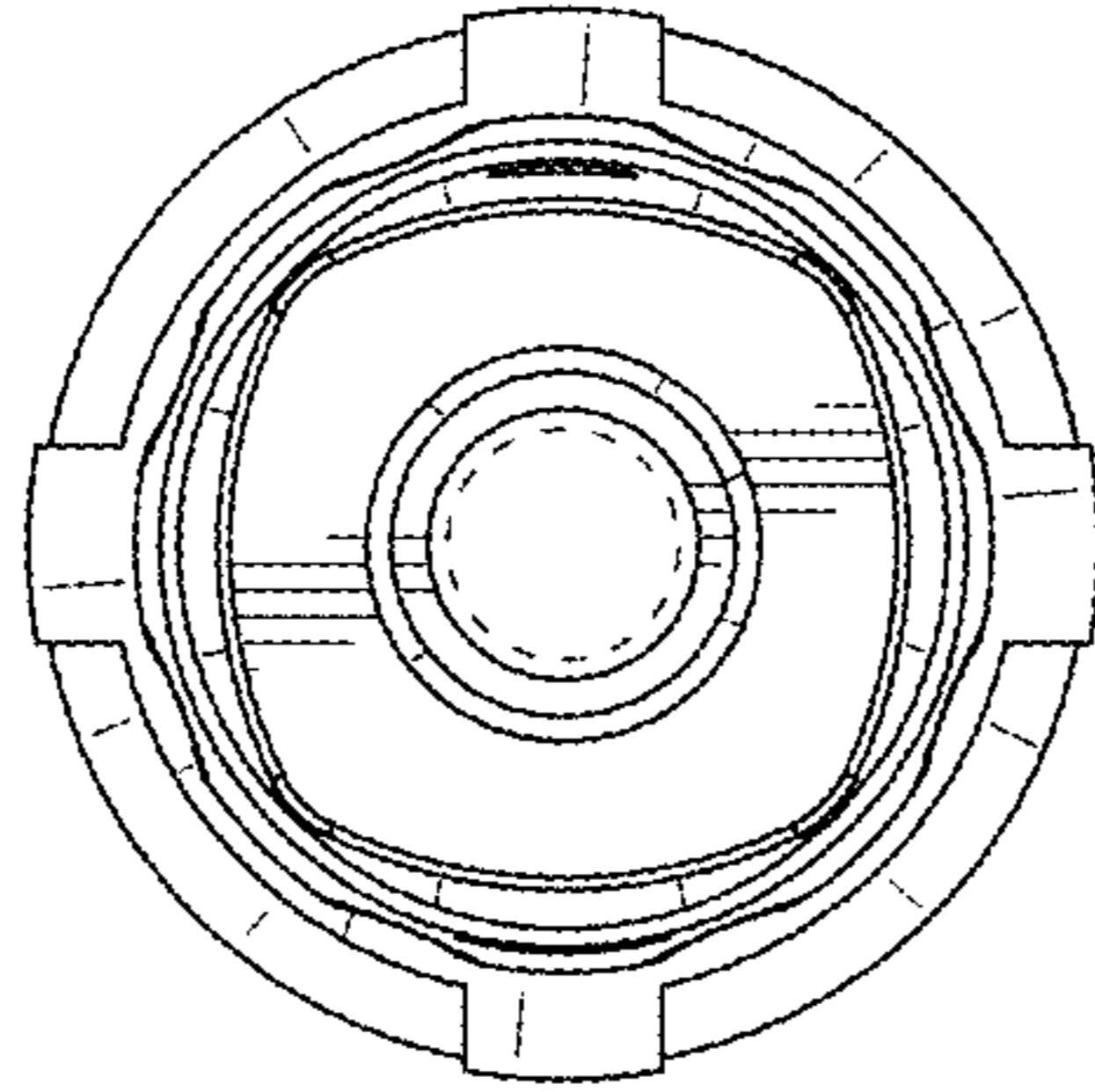


FIG. 8

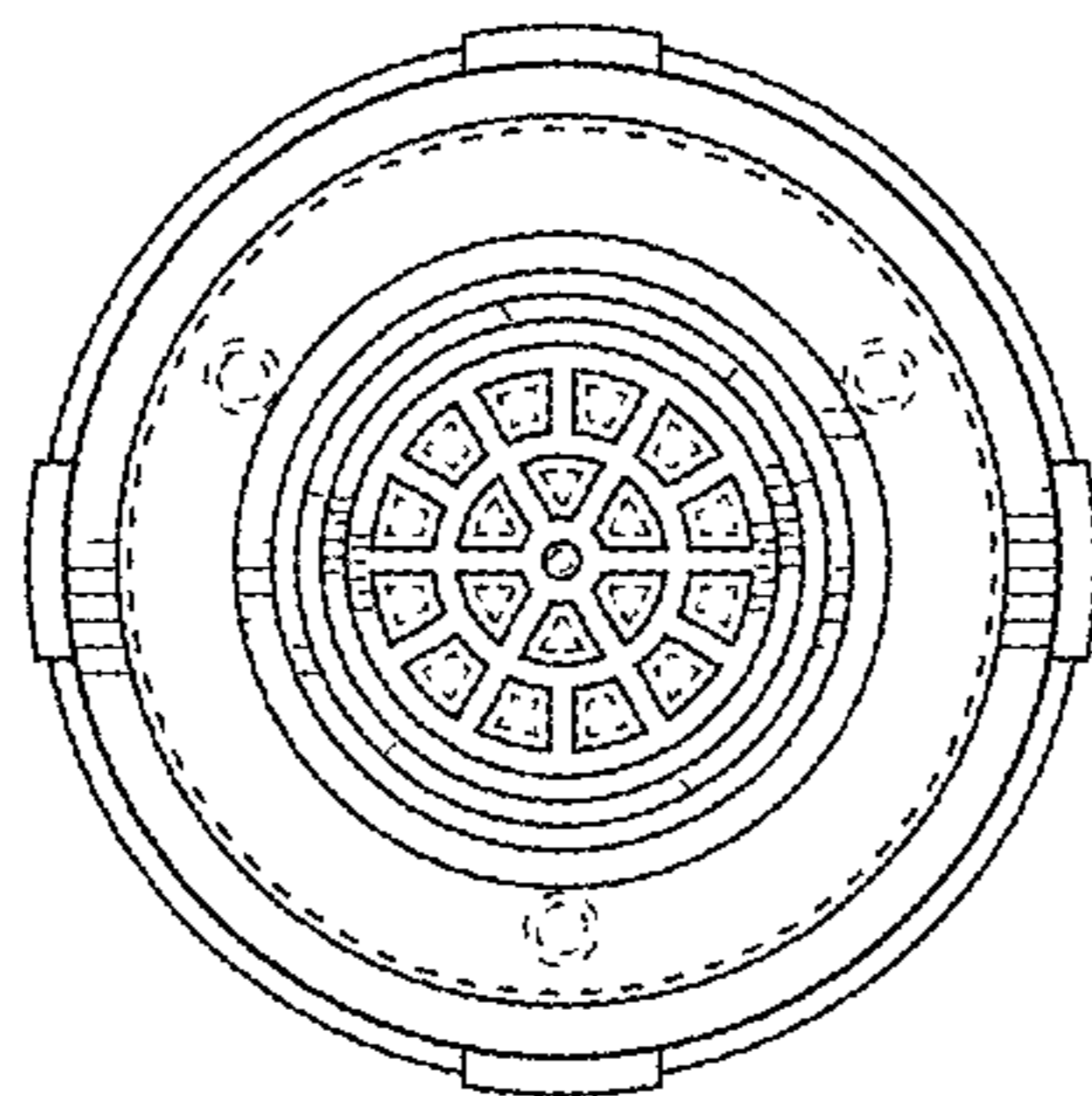


FIG. 7