



US00D966365S

(12) **United States Design Patent**
Gou

(10) **Patent No.:** **US D966,365 S**

(45) **Date of Patent:** **** Oct. 11, 2022**

(54) **CONTROLLING APPARATUS FOR
SOLDERING**

(71) Applicant: **Guangzhou Yihua Electronic
Equipment Co., Ltd., Guangdong (CN)**

(72) Inventor: **Mingkang Gou, Guangdong (CN)**

(73) Assignee: **Guangzhou Yihua Electronic
Equipment Co., Ltd., Guangdong (CN)**

(**) Term: **15 Years**

(21) Appl. No.: **29/748,321**

(22) Filed: **Aug. 28, 2020**

(51) **LOC (13) Cl.** **15-09**

(52) **U.S. Cl.**
USPC **D15/144.2**

(58) **Field of Classification Search**
USPC D8/29, 29.1, 29.2, 30, 71; D10/46, 50,
D10/78; D13/123, 133; D14/126;
D15/122, 123, 127, 144, 144.1, 144.2
CPC B23K 3/0338; B23K 3/2214; G02B
27/2214; G02B 6/06
See application file for complete search history.

(56) **References Cited**

U.S. PATENT DOCUMENTS

D428,427 S * 7/2000 Neef D15/144.2
D527,402 S * 8/2006 Loch D15/144.2
D530,349 S * 10/2006 Ishihara D15/144.2

D576,459 S * 9/2008 Mochizuki D8/30
D590,853 S * 4/2009 Yokoyama D15/144.2
D656,525 S * 3/2012 Mochizuki D15/144.2
D740,339 S * 10/2015 Teraoka D15/144.2
D829,790 S * 10/2018 Gou D15/144
D831,716 S * 10/2018 Gou D15/144
D831,717 S * 10/2018 Gou D15/144
D888,789 S * 6/2020 Gou D15/144.2
D912,113 S * 3/2021 Gou D15/144.2
D920,403 S * 5/2021 Gou D15/144
D920,404 S * 5/2021 Gou D15/144

* cited by examiner

Primary Examiner — Michael C Stout
Assistant Examiner — Fritzgerald L Butac

(74) *Attorney, Agent, or Firm* — Lucas & Mercanti, LLP

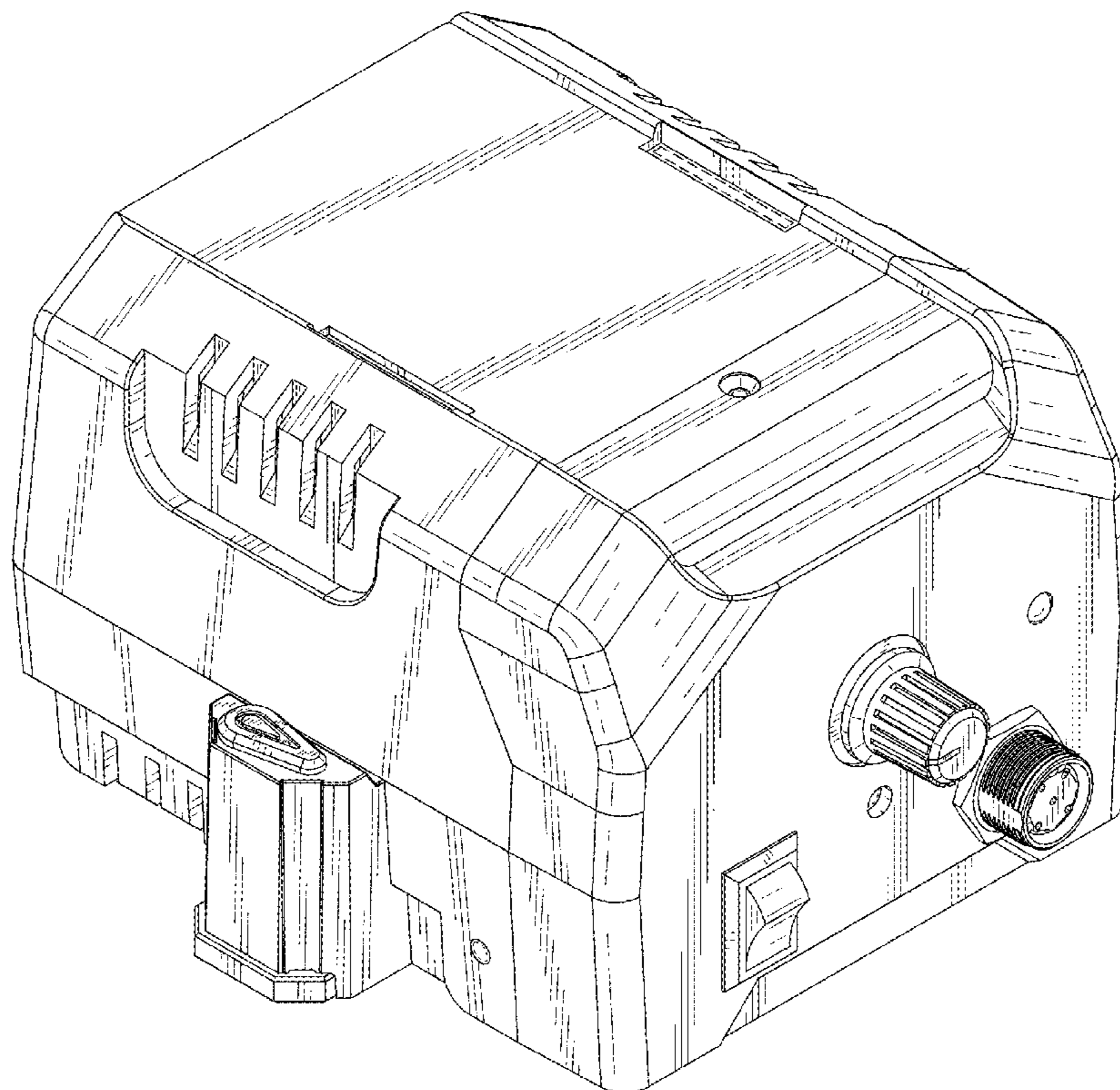
(57) **CLAIM**

The ornamental design for a controlling apparatus for soldering, as shown and described.

DESCRIPTION

FIG. 1 is a top, front, left side perspective view of the controlling apparatus;
FIG. 2 is a top, front, right side perspective view thereof;
FIG. 3 is a front view thereof;
FIG. 4 is a rear view thereof;
FIG. 5 is a top view thereof;
FIG. 6 is a bottom view thereof;
FIG. 7 is a left side view thereof; and,
FIG. 8 is a right side view thereof.
The broken lines show portions of a controlling apparatus for soldering which forms no part of the claimed design.

1 Claim, 8 Drawing Sheets



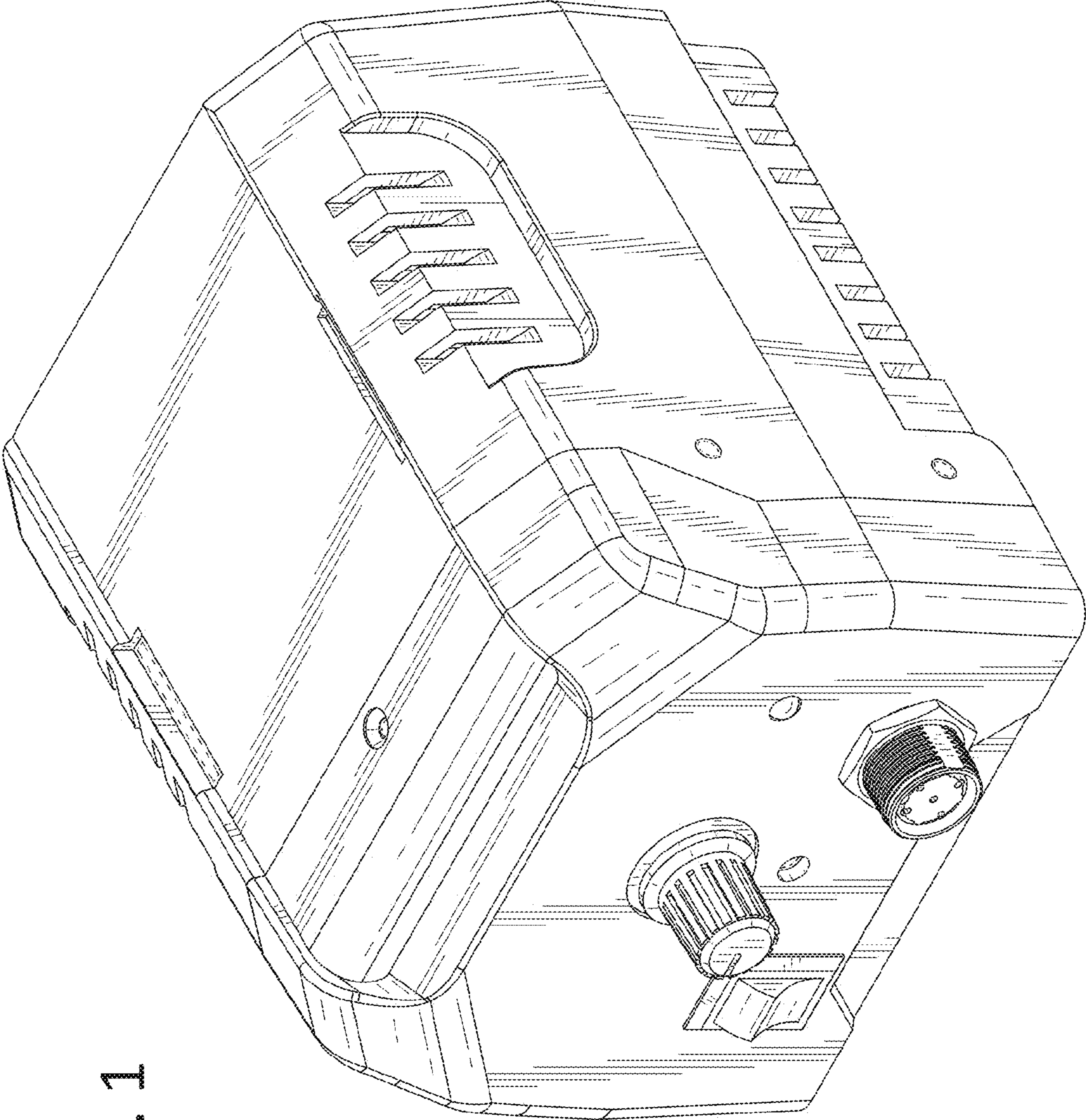
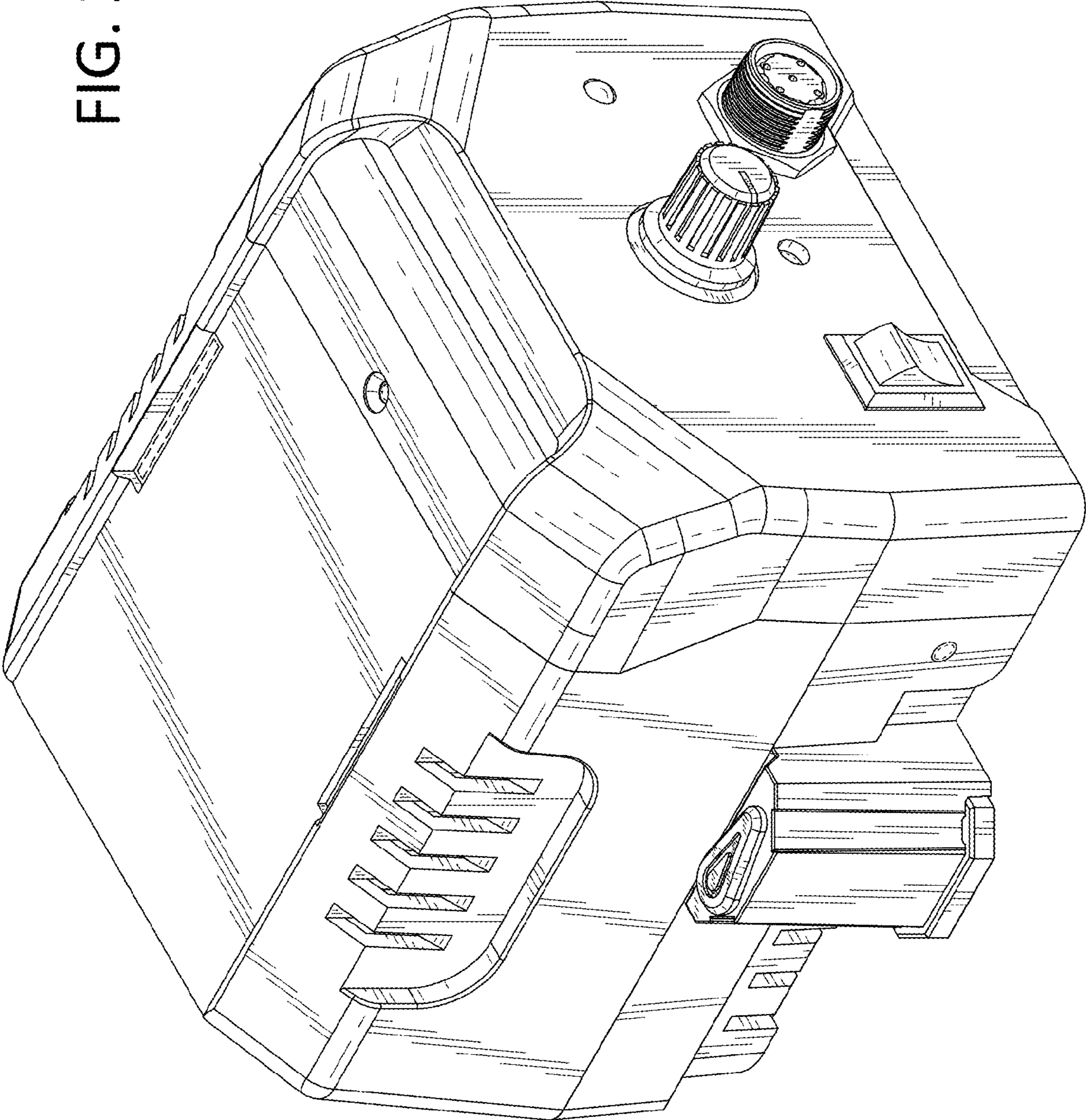


FIG. 1

FIG. 2



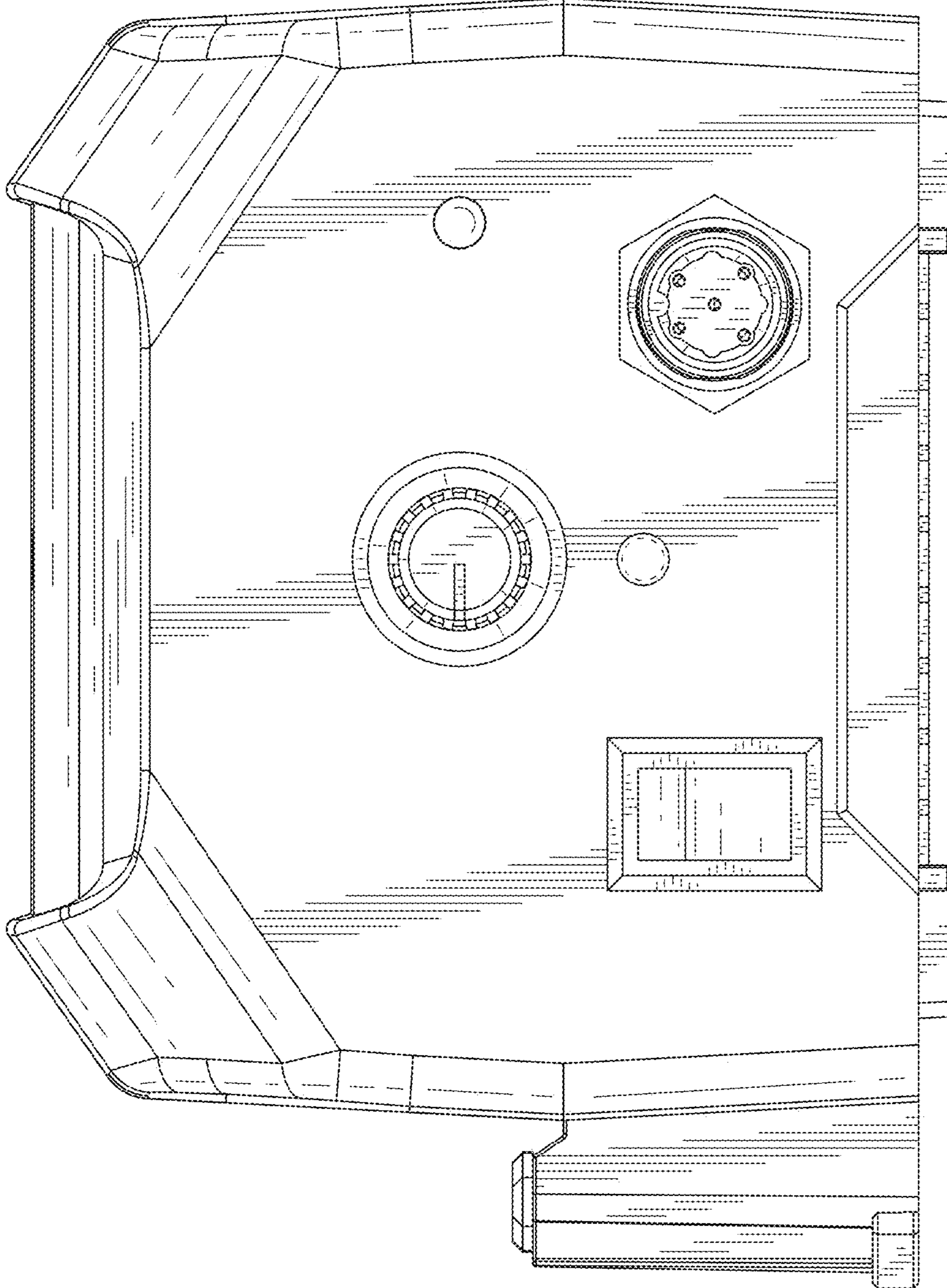


FIG. 3

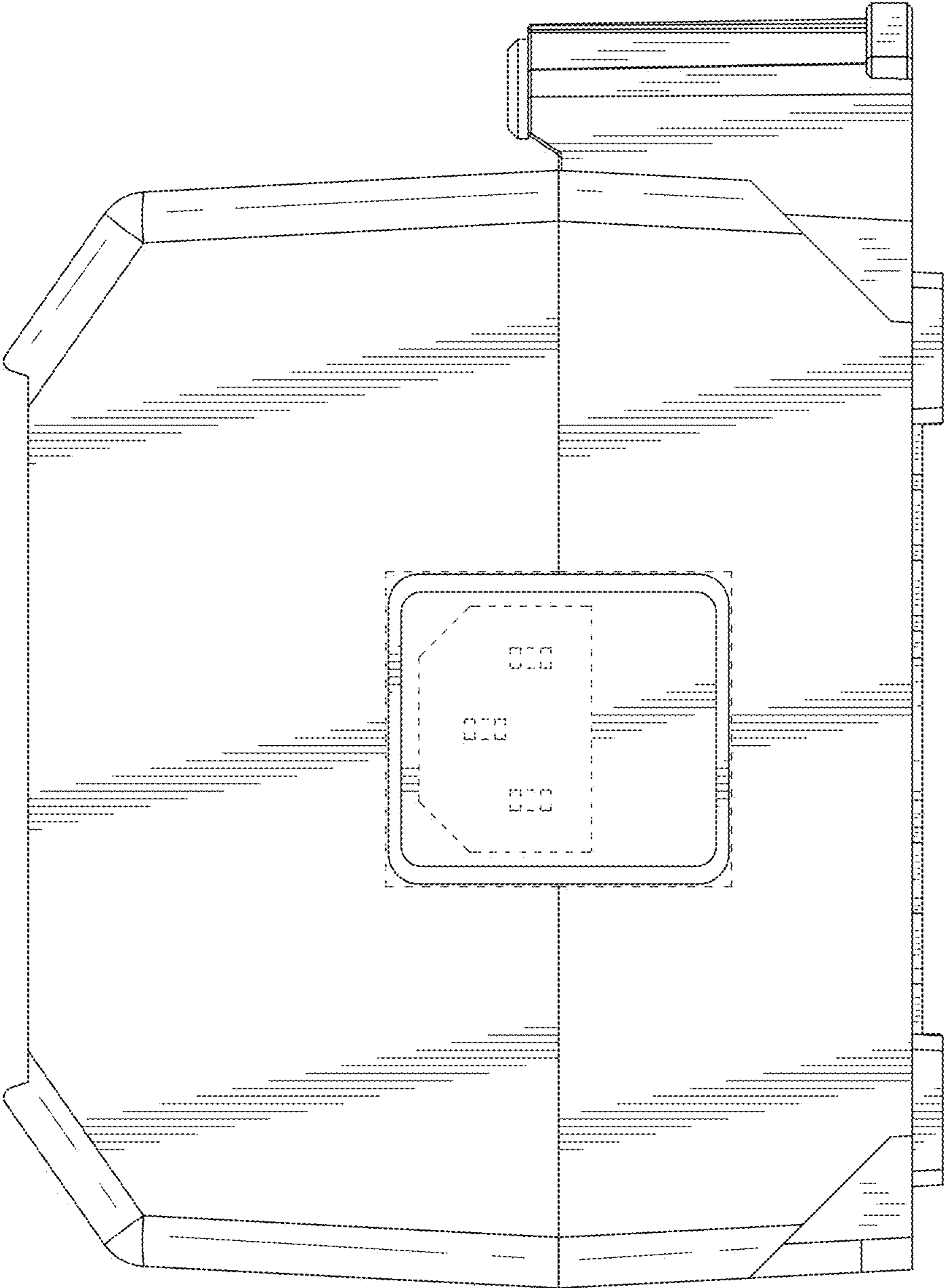


FIG. 4

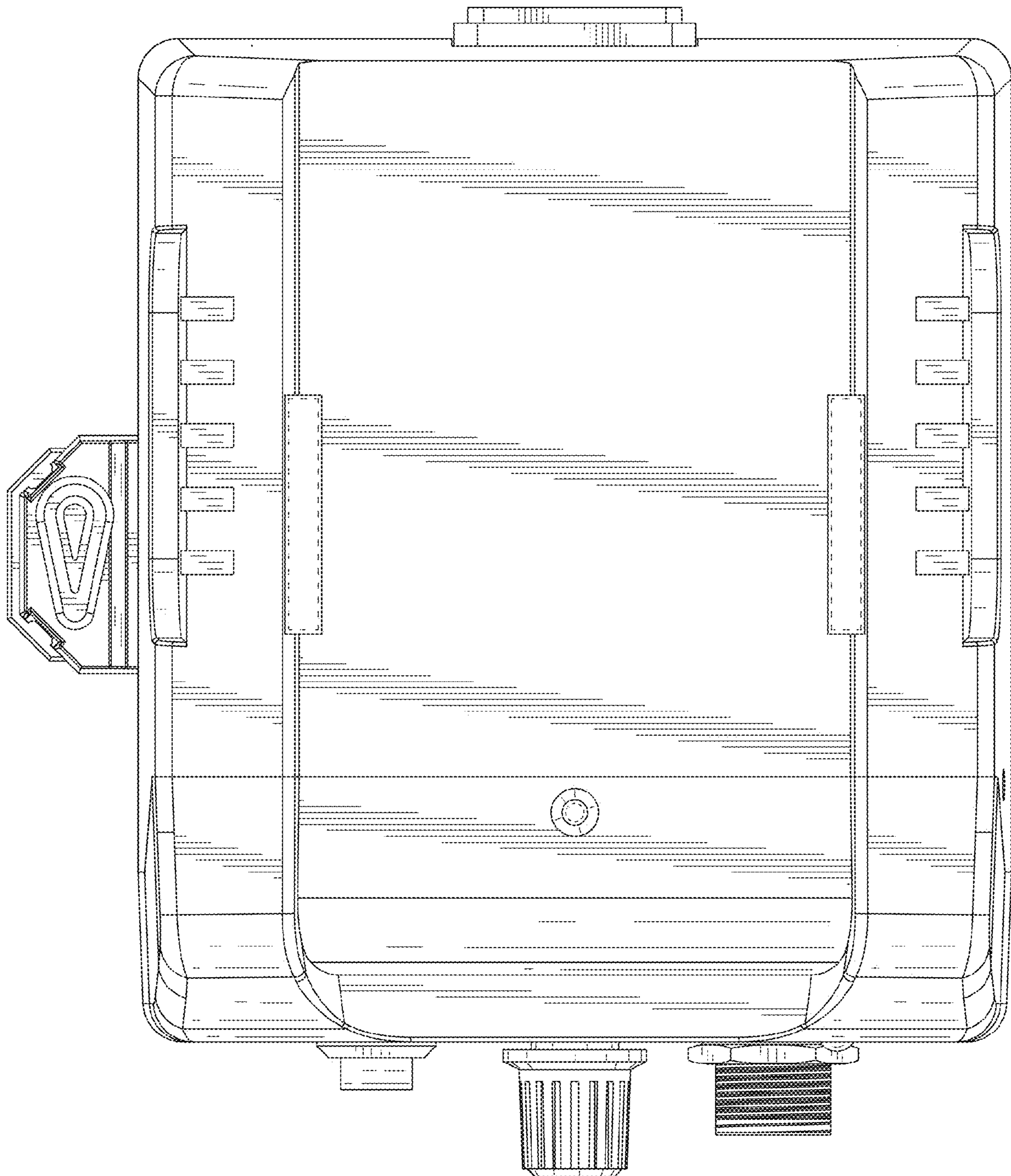


FIG. 5

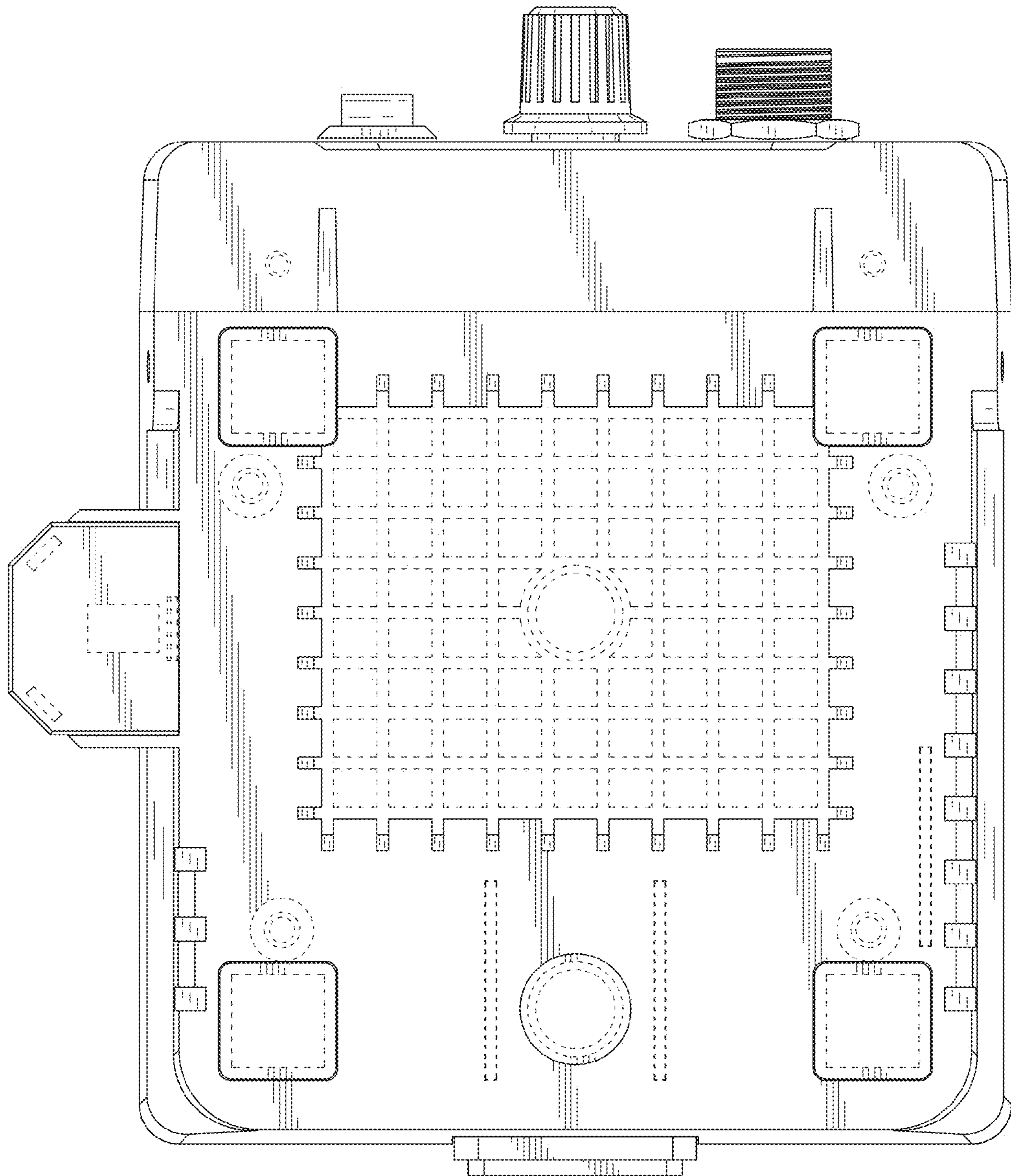


FIG. 6

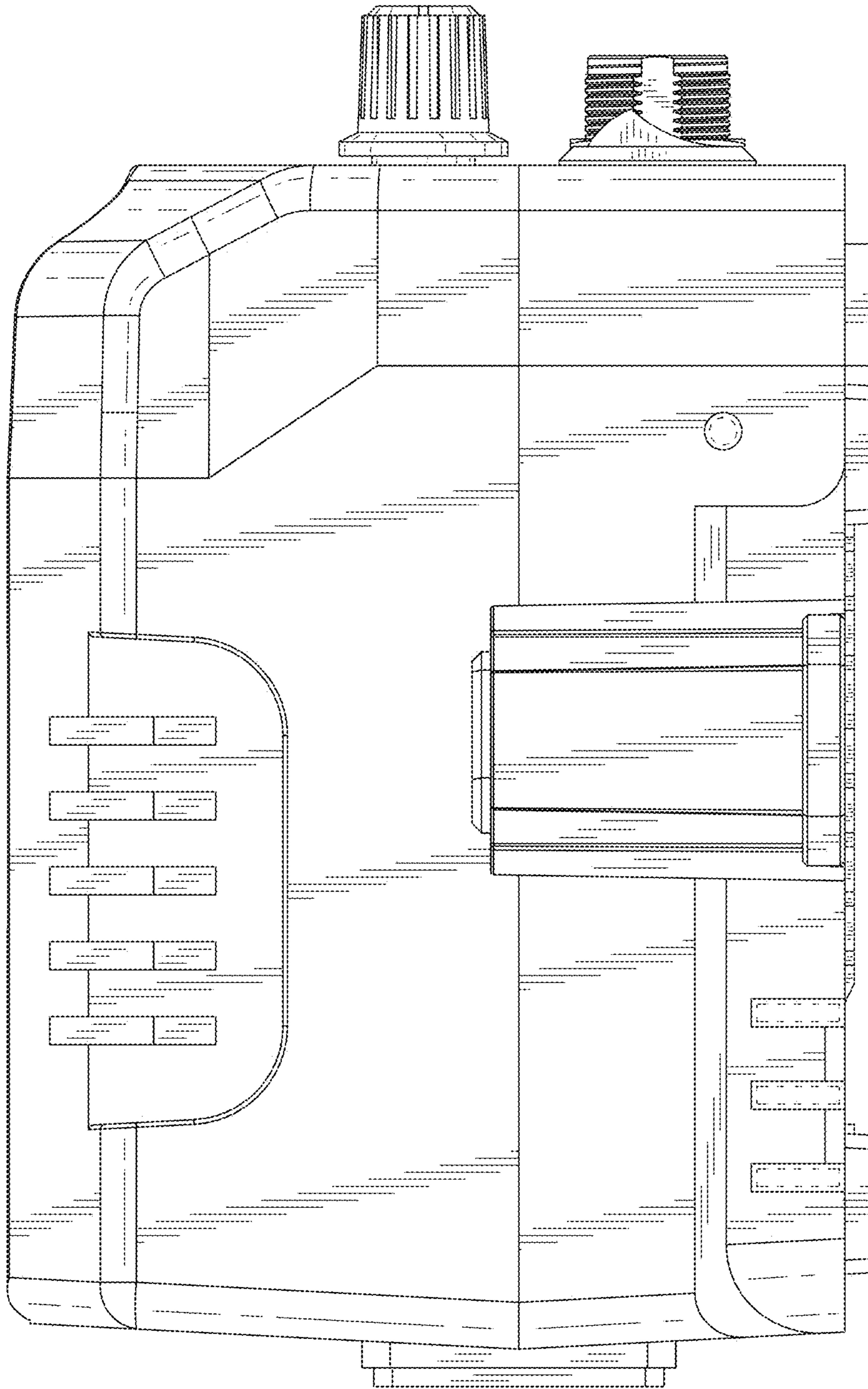


FIG. 7

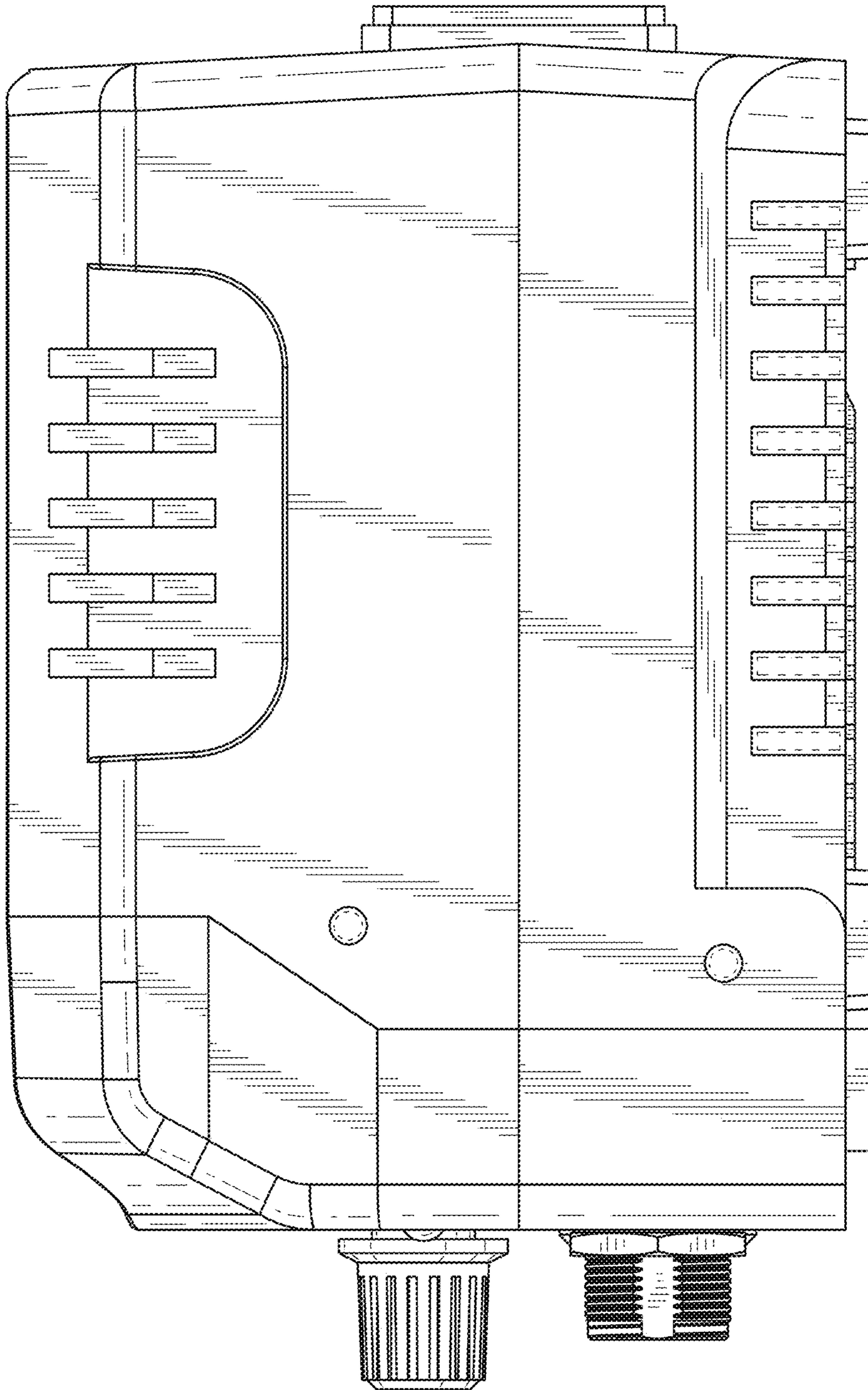


FIG. 8