



US00D966363S

(12) **United States Design Patent** (10) **Patent No.:** **US D966,363 S**
Avent (45) **Date of Patent:** **** Oct. 11, 2022**

(54) **MALE INSULATING CAP**
(71) Applicant: **William Avent**, Alpena, MI (US)
(72) Inventor: **William Avent**, Alpena, MI (US)
(**) Term: **15 Years**
(21) Appl. No.: **29/732,174**
(22) Filed: **Apr. 22, 2020**
(51) **LOC (13) Cl.** **15-09**
(52) **U.S. Cl.**
USPC **D15/144**
(58) **Field of Classification Search**
USPC D15/122, 126, 138, 144, 144.1, 144.2
CPC B23K 11/3018; B23K 35/0261; B23K
35/0205; B23K 35/222; B23K 35/32
See application file for complete search history.

D726,794 S * 4/2015 Kang H01T 13/20
D15/144.2
D728,649 S * 5/2015 Hassan D15/144
D733,776 S * 7/2015 Buttiker H01T 13/02
D15/144
D735,255 S * 7/2015 Sickinger D15/144.2
D736,285 S * 8/2015 Hassan D15/144
9,142,909 B2 9/2015 Ihde et al.
D744,560 S * 12/2015 Hassan D15/144
D744,561 S * 12/2015 Hassan D15/144
D775,249 S * 12/2016 Furujo D15/144
D776,177 S * 1/2017 Namburu D15/144
D776,730 S * 1/2017 Yamaguchi D15/144
D776,731 S * 1/2017 Yamaguchi D15/144
D777,812 S * 1/2017 Namburu D15/144
D784,432 S * 4/2017 Yamaguchi D15/144
9,640,786 B2 5/2017 He et al.
D809,579 S * 2/2018 Buss D15/144
D813,278 S * 3/2018 Savill, Jr. D15/144
D835,692 S * 12/2018 Susin D15/144
D846,009 S * 4/2019 Takemura D15/144

(Continued)

(56) **References Cited**
U.S. PATENT DOCUMENTS

3,120,987 A 2/1964 Degnan et al.
3,648,016 A 3/1972 Matthews
4,151,396 A 4/1979 Veal
D269,617 S * 7/1983 Nippert D15/144
D365,345 S * 12/1995 Carkhuff D15/144
D384,682 S * 10/1997 Turner D15/144
D474,788 S * 5/2003 Molnar D15/144
D496,376 S * 9/2004 Colson, Jr. D15/144
D504,142 S * 4/2005 Horner-Richardson D15/144
D517,577 S * 3/2006 Conway D15/144
D527,401 S * 8/2006 Mizuno D15/144
D535,672 S * 1/2007 MacKenzie D15/144
D632,713 S * 2/2011 Leonhartsberger D15/144
D647,548 S * 10/2011 Savill, Jr. D15/144
D681,706 S * 5/2013 Savill, Jr. D15/144
D690,336 S * 9/2013 Gjertsen D15/144
D697,956 S * 1/2014 Davis D15/144
D720,784 S * 1/2015 Hassan D15/144
D721,111 S * 1/2015 Hassan D15/144

Primary Examiner — Michael C Stout
Assistant Examiner — Fritzgerald L Butac
(74) *Attorney, Agent, or Firm* — Dinsmore & Shohl LLP

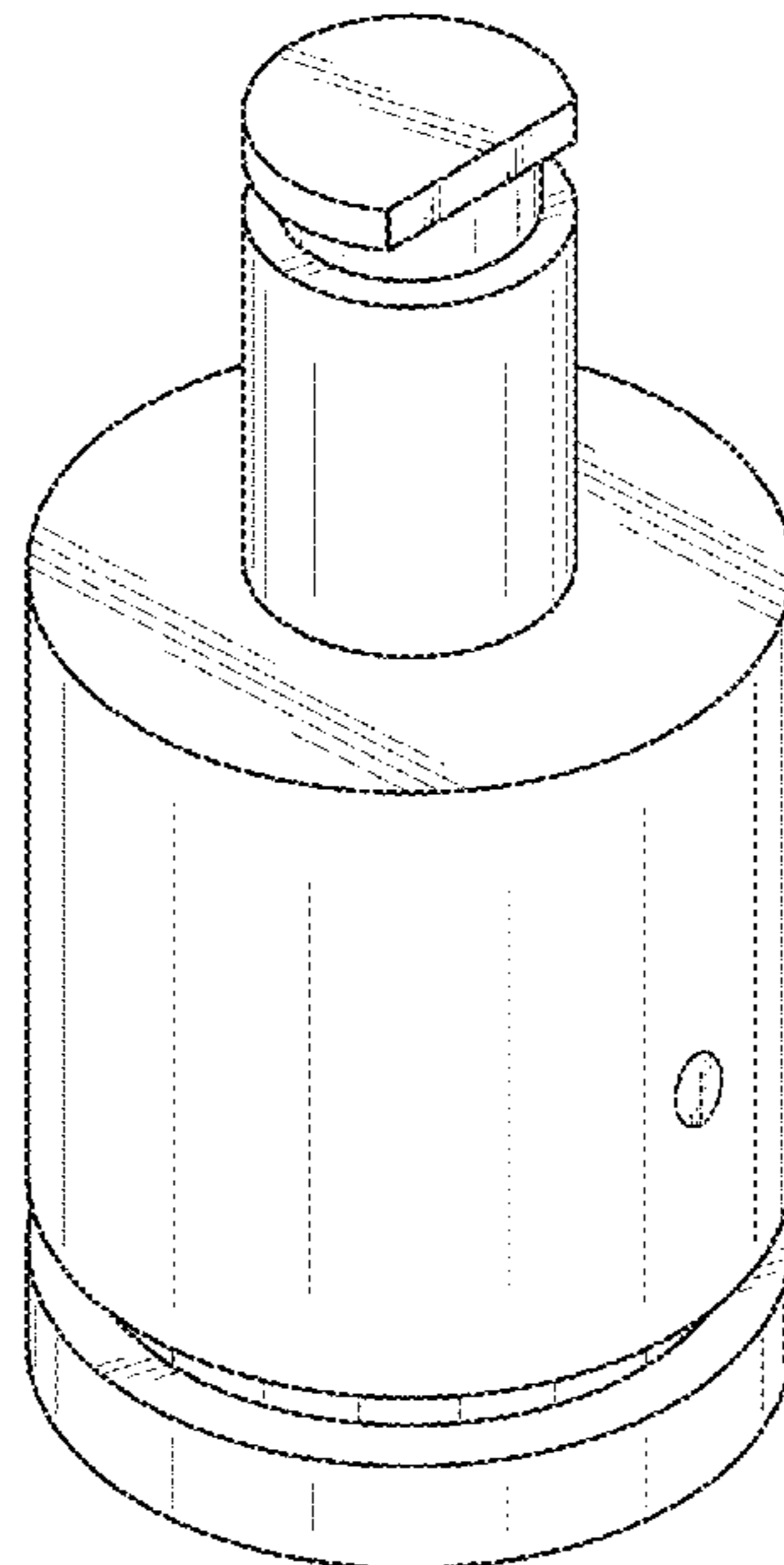
(57) **CLAIM**

The ornamental design for a male insulating cap, as shown and described.

DESCRIPTION

FIG. 1 is a perspective view the present design;
FIG. 2 is a front view thereof;
FIG. 3 is a rear view thereof;
FIG. 4 is a right side view thereof;
FIG. 5 is a left side view thereof;
FIG. 6 is a top view thereof; and,
FIG. 7 is a bottom view thereof.
The broken lines show portions of a male insulating cap which form no part of the claimed design.

1 Claim, 2 Drawing Sheets



(56)

References Cited

U.S. PATENT DOCUMENTS

D852,856	S	*	7/2019	Beagen	D15/144
D861,758	S	*	10/2019	Severance, Jr.	D15/144
D862,546	S	*	10/2019	Becket	D15/144
D881,243	S	*	4/2020	Hidaka	D15/144
D908,150	S	*	1/2021	Swank	D15/144
D911,401	S	*	2/2021	Gou	D15/144
2008/0302766	A1		12/2008	Hirsch		
2011/0244713	A1		10/2011	Ihde et al.		
2013/0119041	A1		5/2013	Humenik		

* cited by examiner

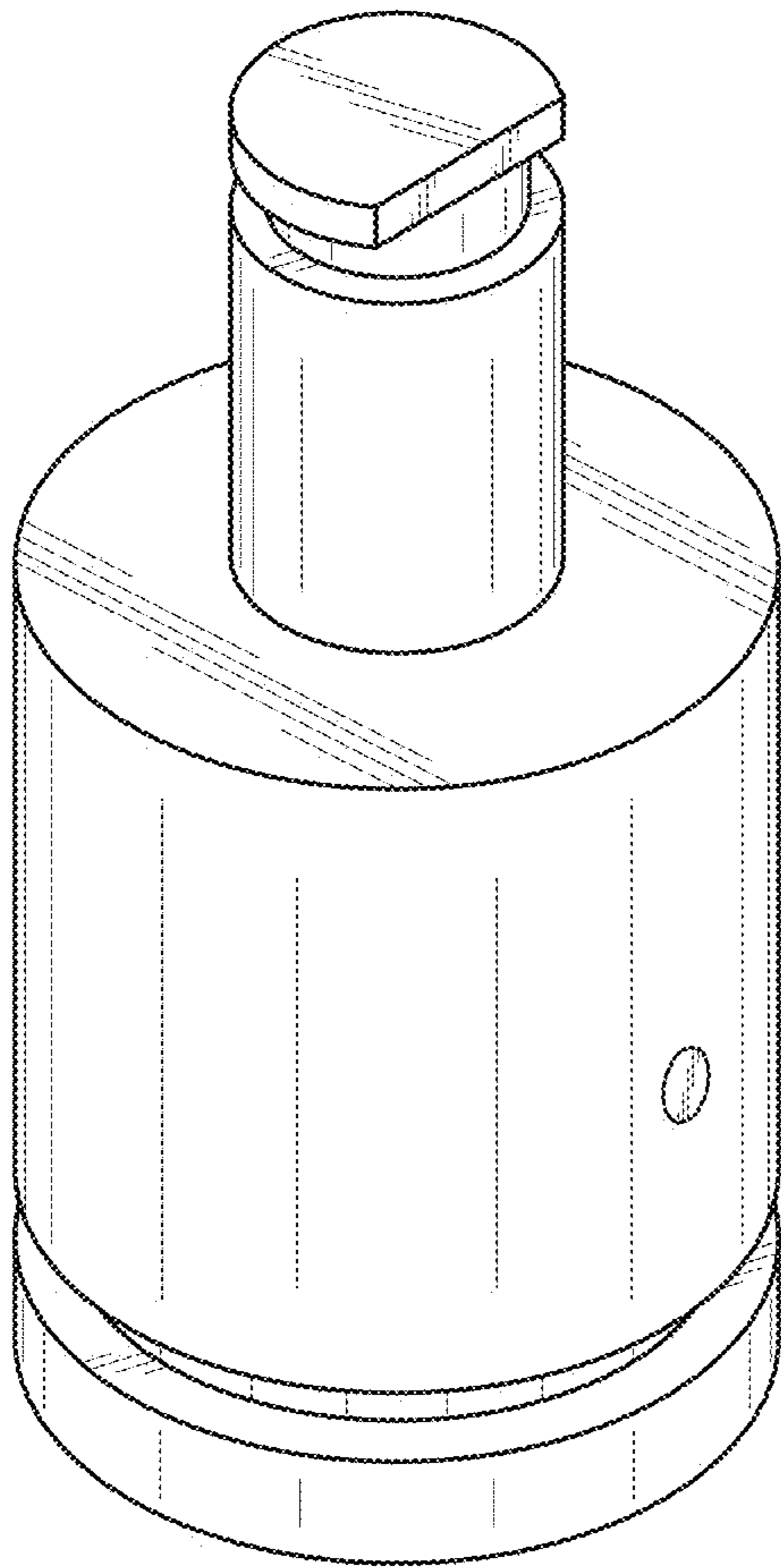


FIG. 1

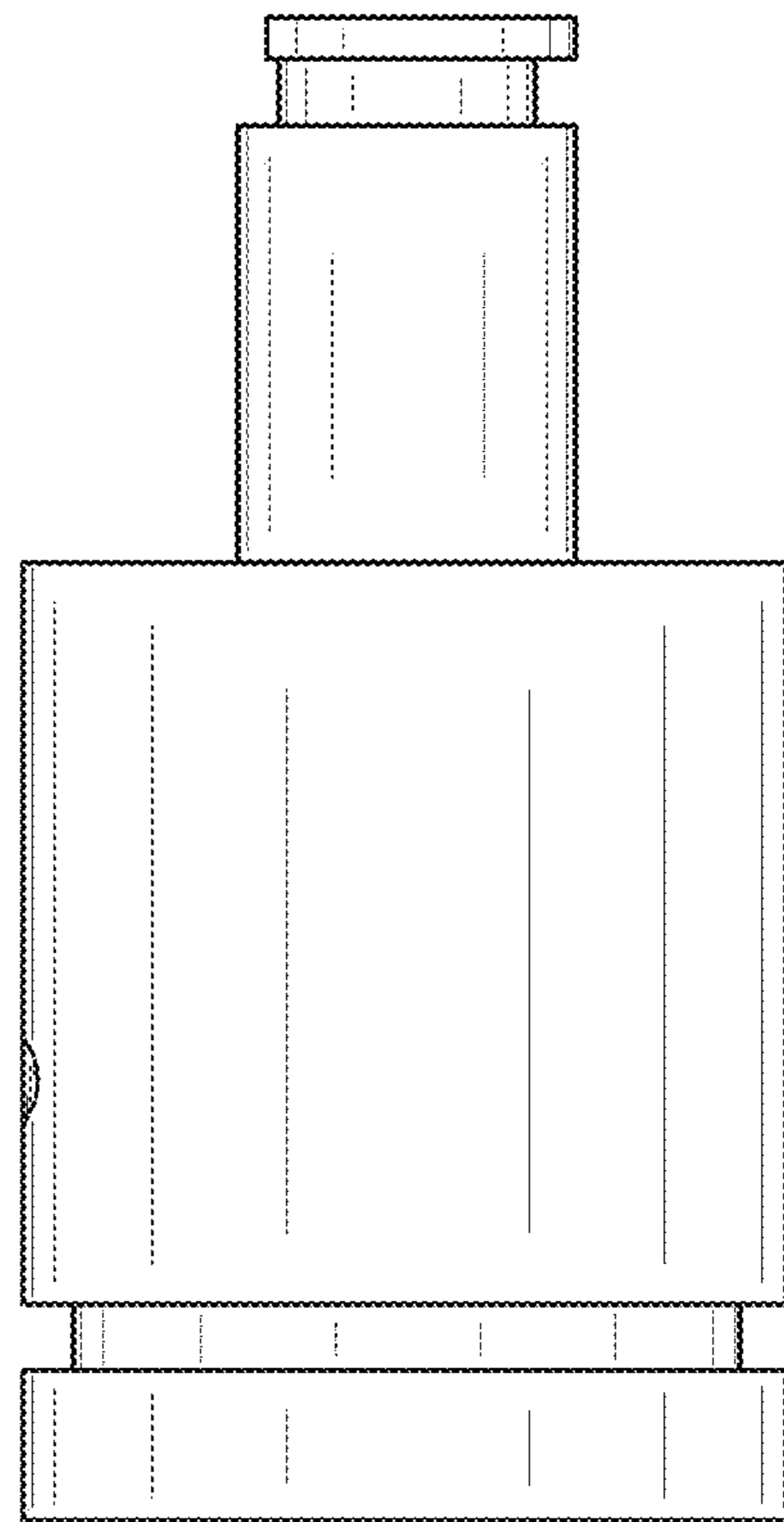


FIG. 2

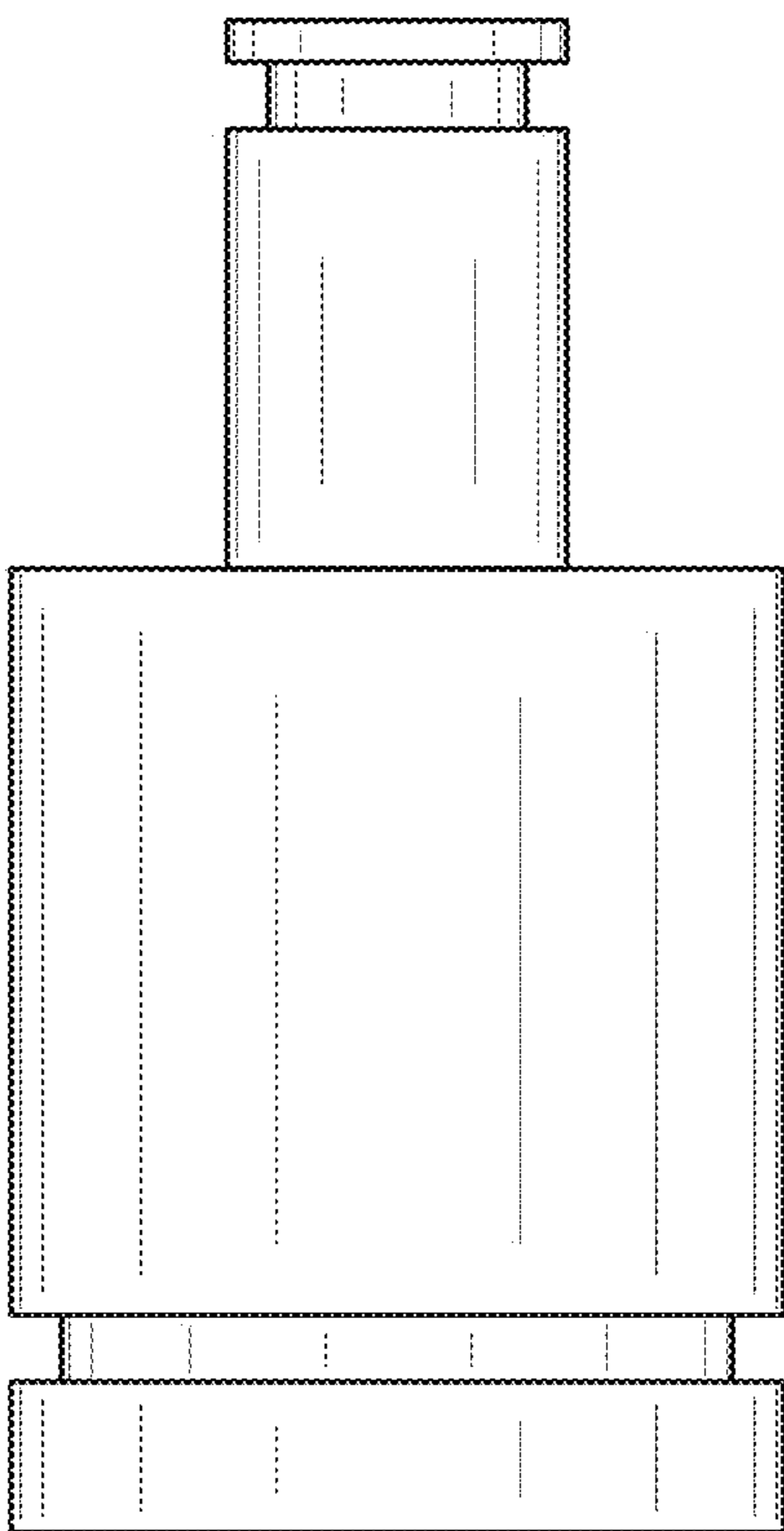


FIG. 3

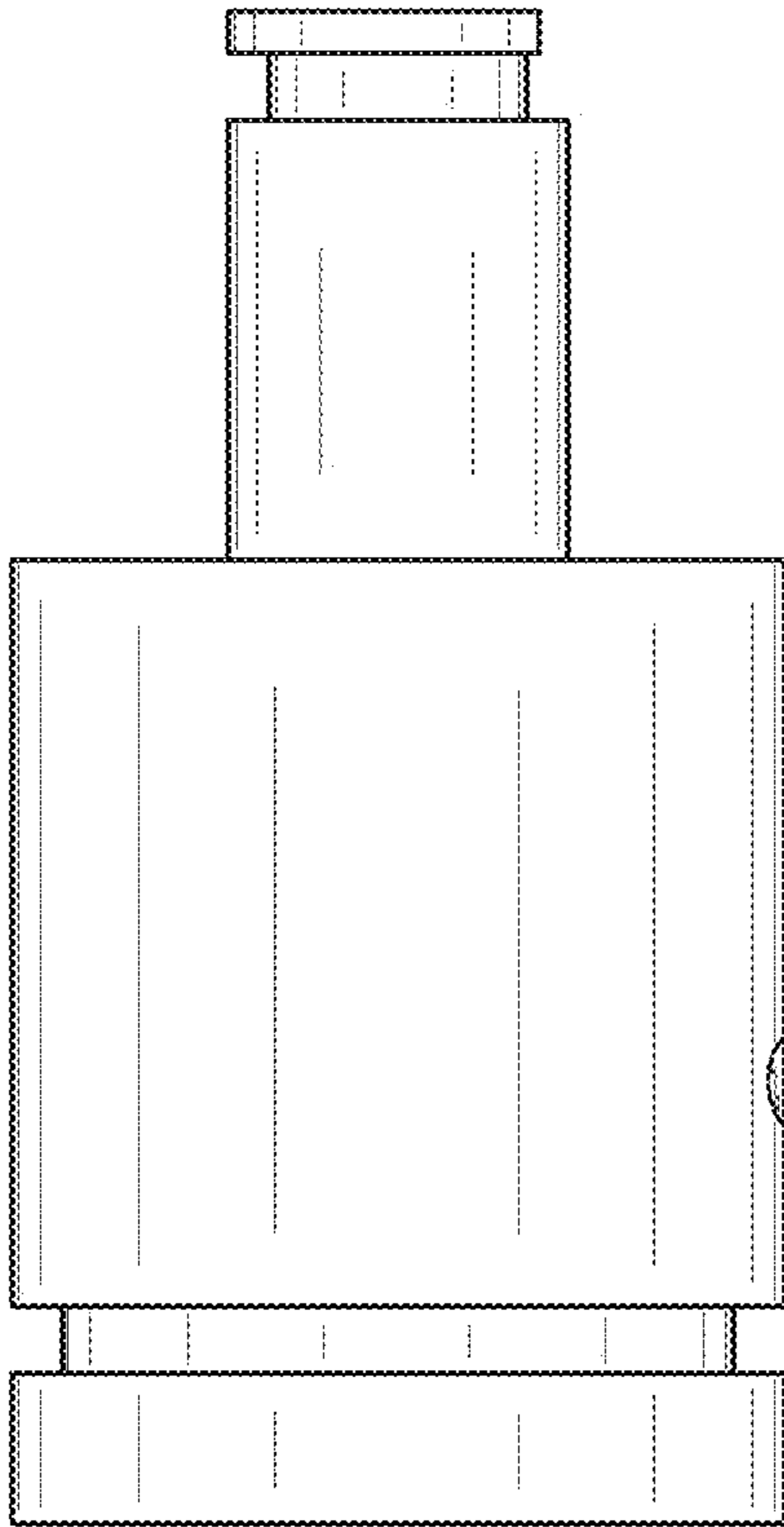


FIG. 4

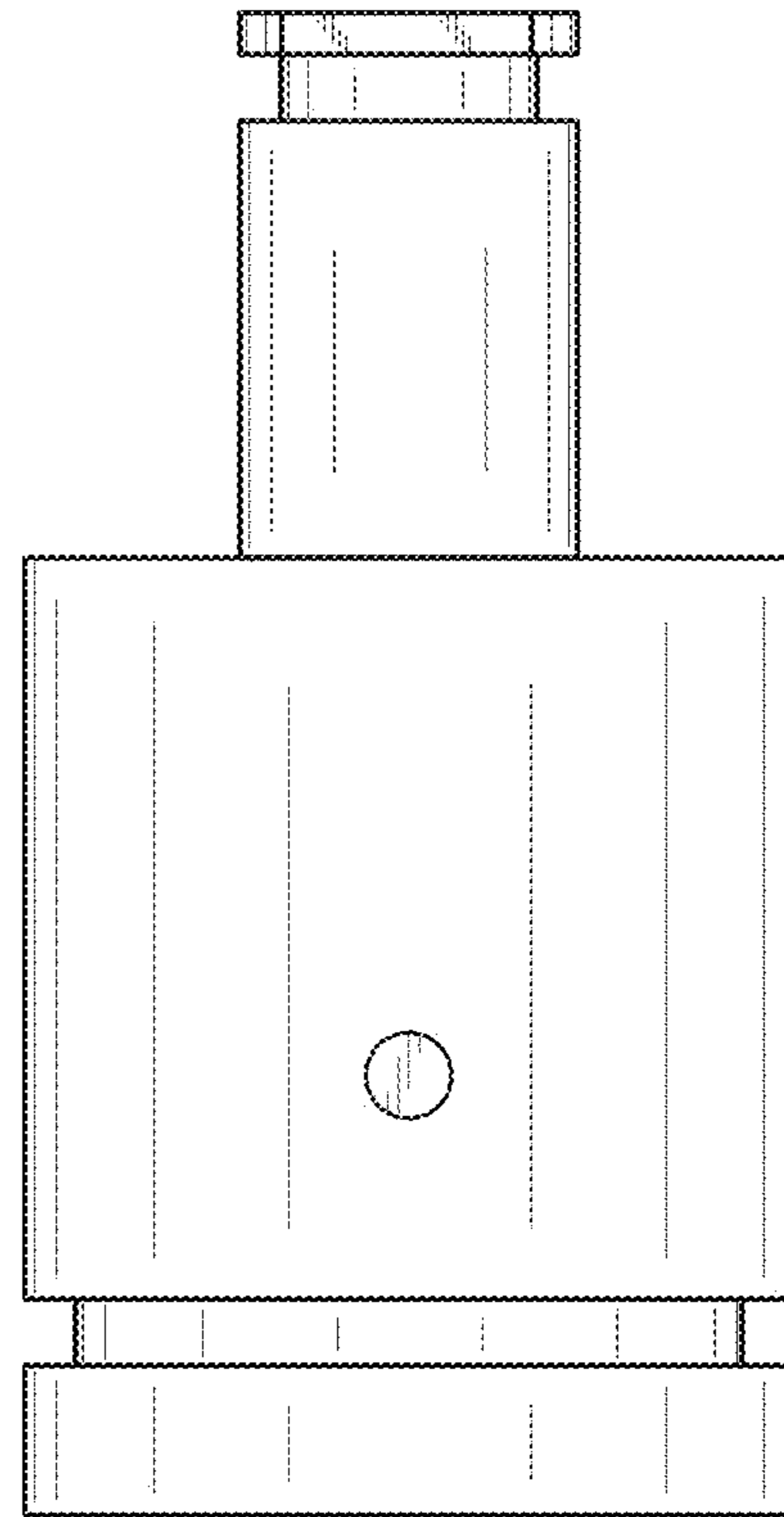


FIG. 5

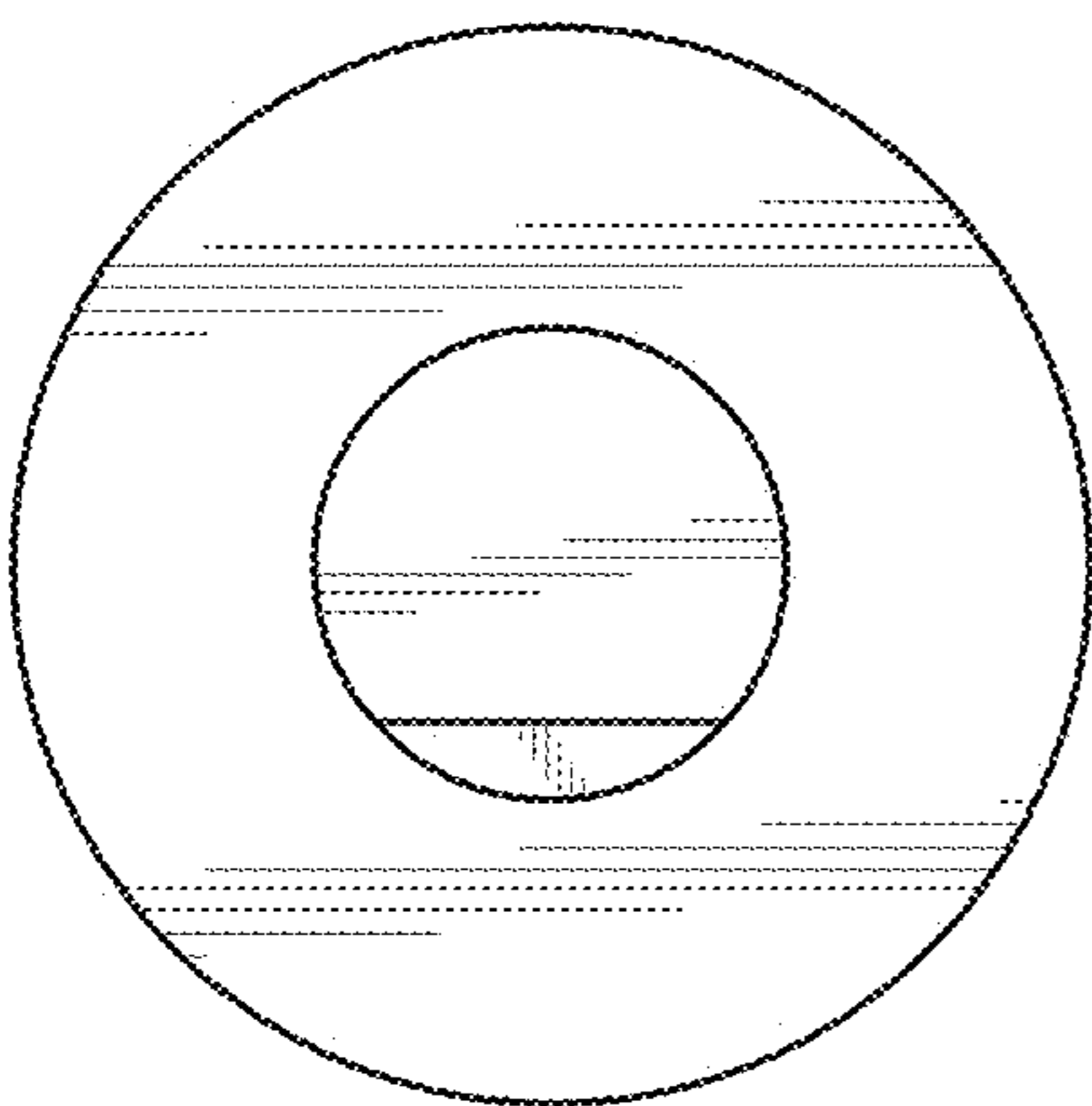


FIG. 6

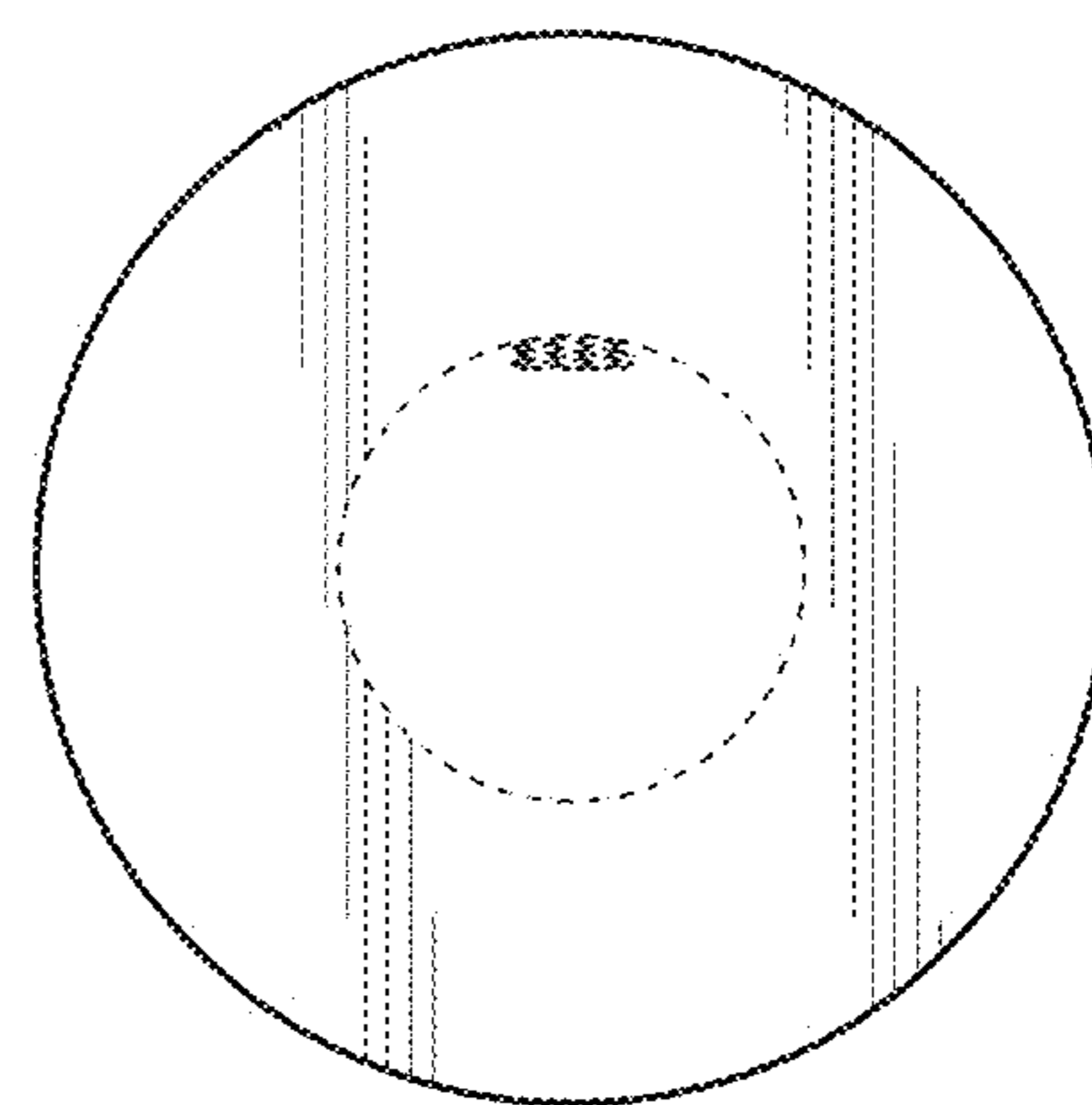


FIG. 7