



US00D966362S

(12) **United States Design Patent**  
**Sugimoto**

(10) **Patent No.:** **US D966,362 S**

(45) **Date of Patent:** **\*\* Oct. 11, 2022**

(54) **COUPLER FOR ACTUATOR**

(71) Applicant: **ASAHI YUKIZAI CORPORATION,**  
Nobeoka (JP)

(72) Inventor: **Masaya Sugimoto,** Nobeoka (JP)

(73) Assignee: **ASAHI YUKIZAI CORPORATION,**  
Nobeoka (JP)

(\*\*) Term: **15 Years**

(21) Appl. No.: **29/756,584**

(22) Filed: **Oct. 29, 2020**

(30) **Foreign Application Priority Data**

Apr. 30, 2020 (JP) ..... 2020-008797

(51) **LOC (13) Cl.** ..... **15-09**

(52) **U.S. Cl.**  
USPC ..... **D15/143**

(58) **Field of Classification Search**  
USPC ..... D13/118, 158, 123, 164, 174, 162, 171,  
D13/184; D15/1-7, 9, 143, 148, 149,  
D15/199; D24/176; D12/345  
CPC ..... B64C 13/30; B64C 13/341; G05B 15/02;  
F16H 61/2807

See application file for complete search history.

(56) **References Cited**

**U.S. PATENT DOCUMENTS**

D442,981 S \* 5/2001 Kauzlarich ..... D15/199  
D513,307 S 12/2005 Funes et al.  
D660,891 S \* 5/2012 Sannomiya ..... D15/143  
D700,226 S \* 2/2014 Yaegashi ..... D15/143  
D720,833 S 1/2015 Whitton et al.  
D748,759 S 2/2016 Lo Cicero  
D754,819 S 4/2016 Bonomi  
D800,870 S 10/2017 Daniels  
9,782,902 B1 \* 10/2017 Kim ..... B25J 15/0009  
D843,426 S 3/2019 Iguchi

D888,895 S \* 6/2020 Kohshoh ..... D23/249  
D898,087 S \* 10/2020 Burmeister ..... D15/143  
D898,653 S \* 10/2020 Wells ..... D12/345

**FOREIGN PATENT DOCUMENTS**

JP 1610448 S 8/2018

**OTHER PUBLICATIONS**

Search Report issued May 14, 2021, by the Taiwanese Patent Office in corresponding Taiwanese Patent Design Application No. 109305970. (1 page).

\* cited by examiner

*Primary Examiner* — Michael C Stout

*Assistant Examiner* — Fritzgerald L Butac

(74) *Attorney, Agent, or Firm* — Buchanan Ingersoll & Rooney PC

(57) **CLAIM**

The ornamental design for a coupler for actuator, as shown and described.

**DESCRIPTION**

FIG. 1 is a top perspective view of a coupler for actuator showing my new design;

FIG. 2 is a bottom perspective view thereof;

FIG. 3 is a front view thereof;

FIG. 4 is a rear view thereof;

FIG. 5 is a right side view thereof; the left side view is a mirror image of the right side view;

FIG. 6 is a top plan view thereof; and,

FIG. 7 is a bottom plan view thereof.

The broken lines in the drawings are for the purpose of illustrating unclaimed portions of the coupler for actuator and form no part of the claimed design.

**1 Claim, 5 Drawing Sheets**

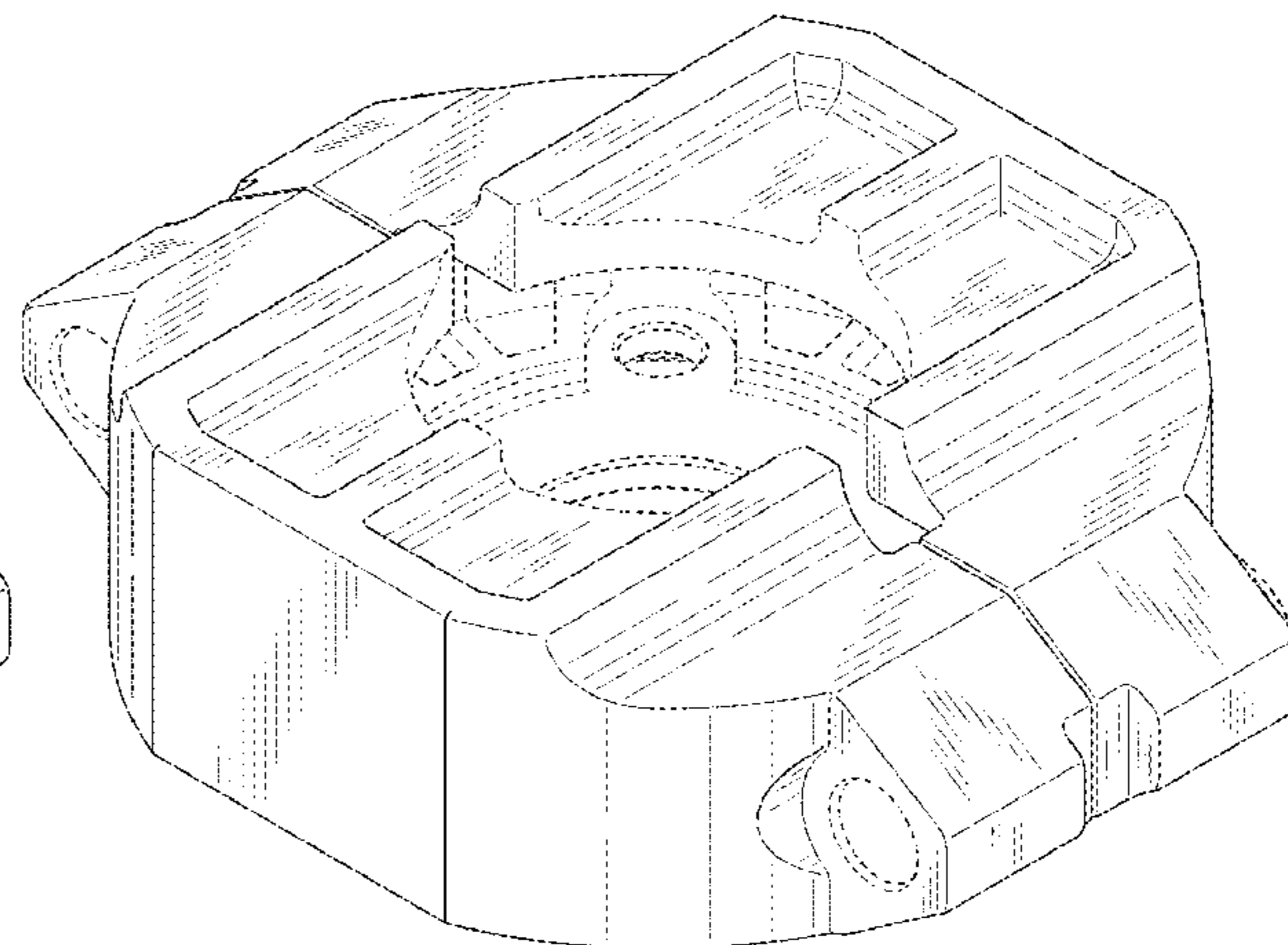
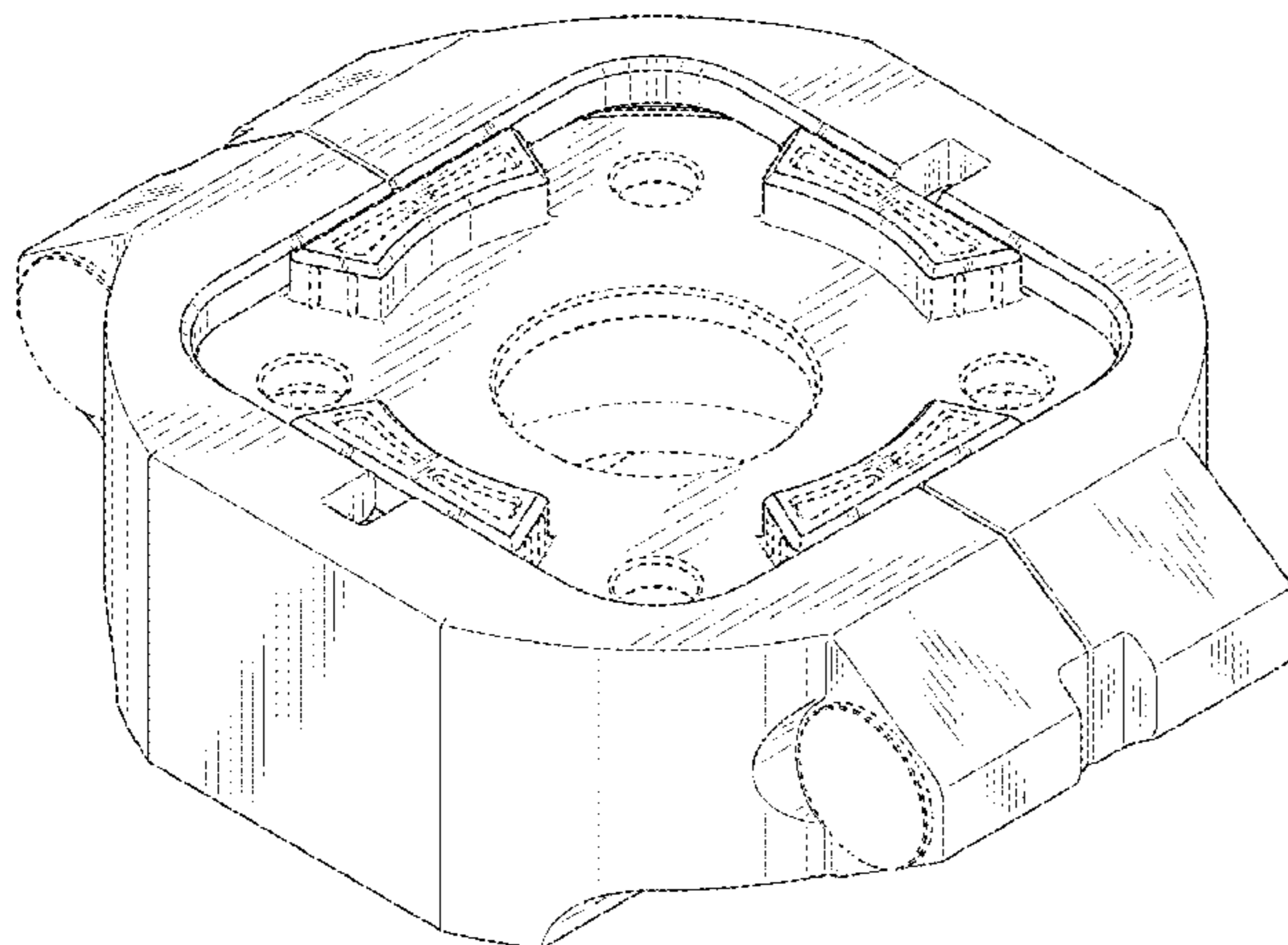


FIG. 1

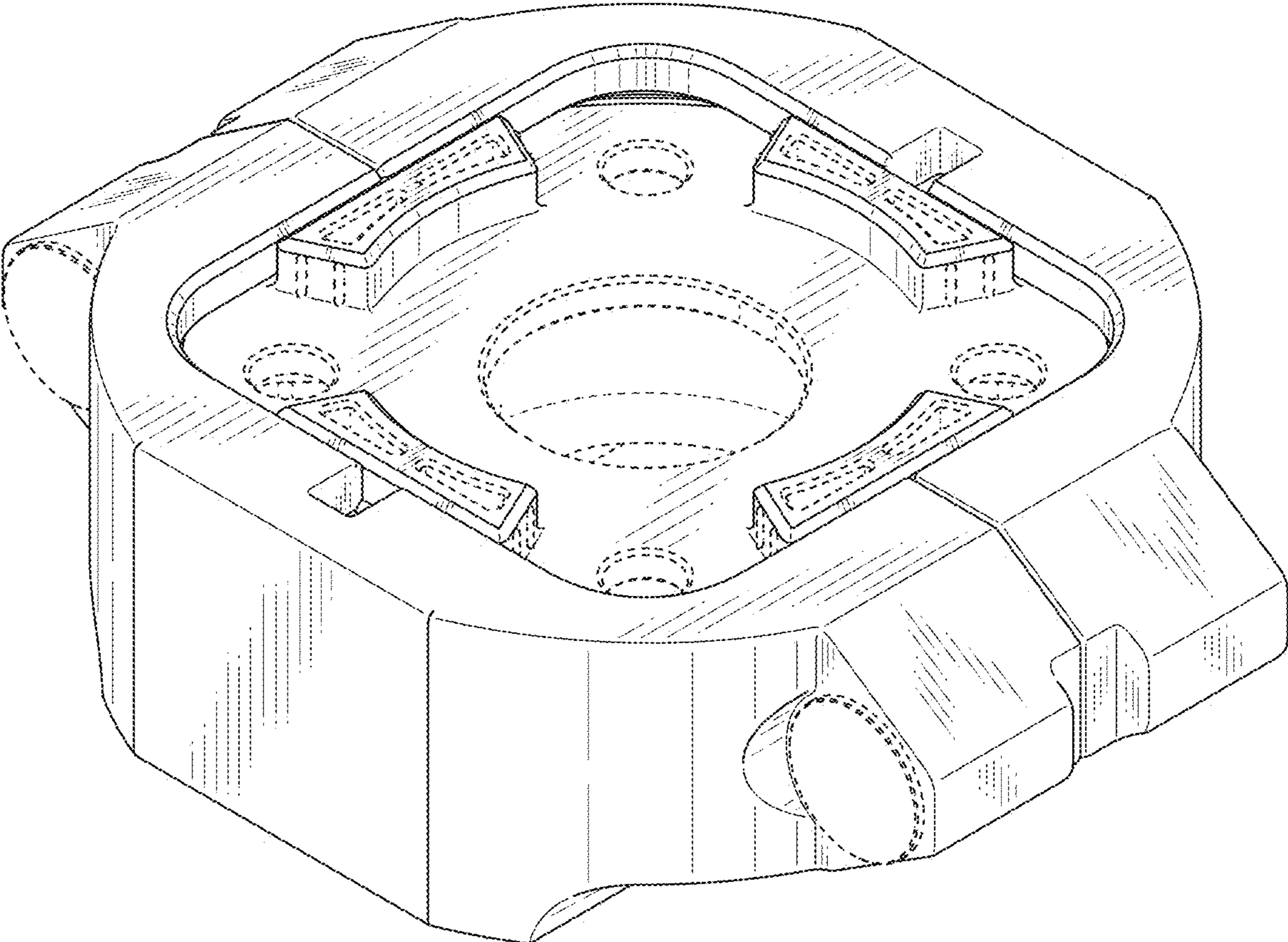


FIG. 2

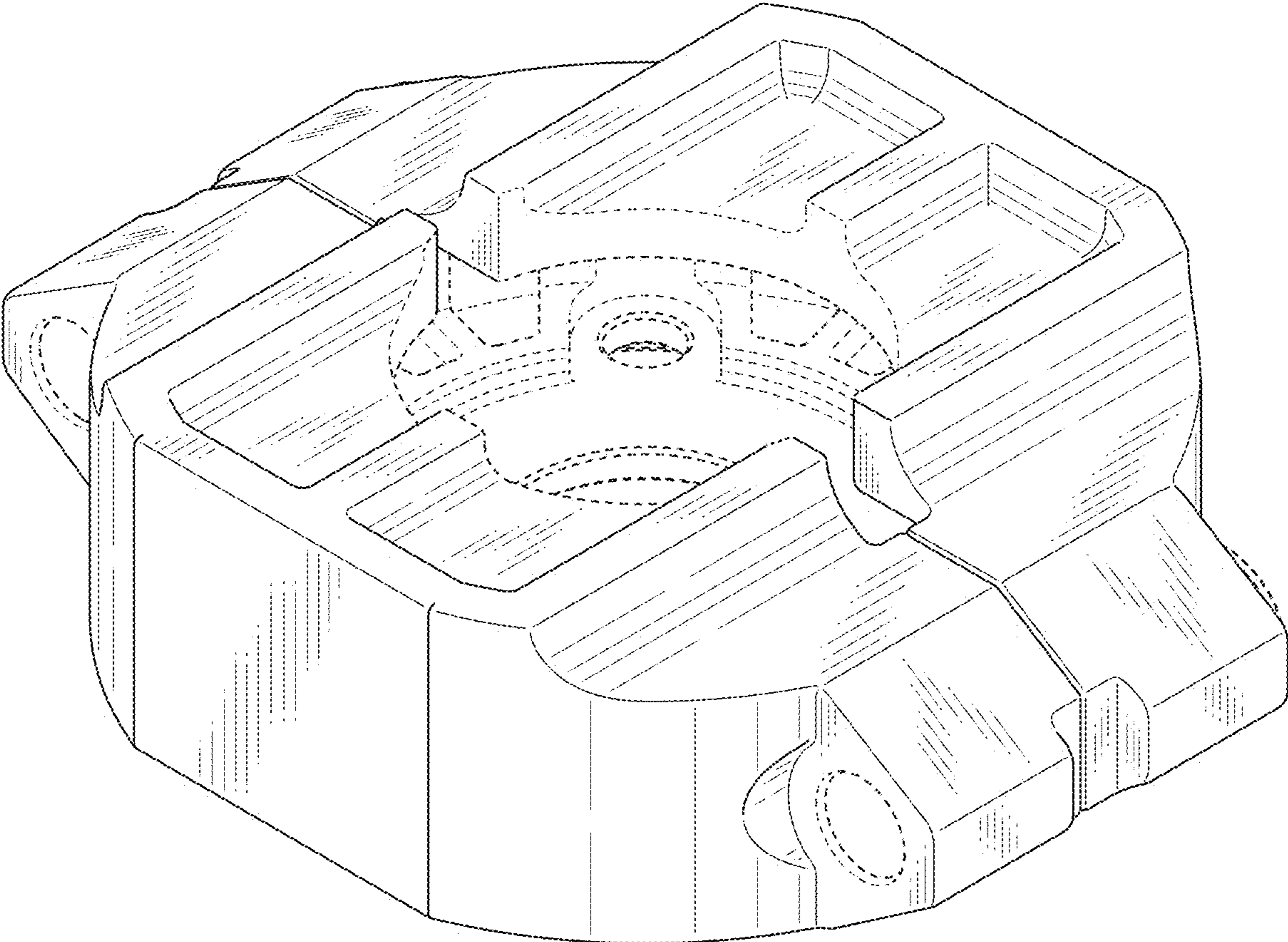


FIG. 3

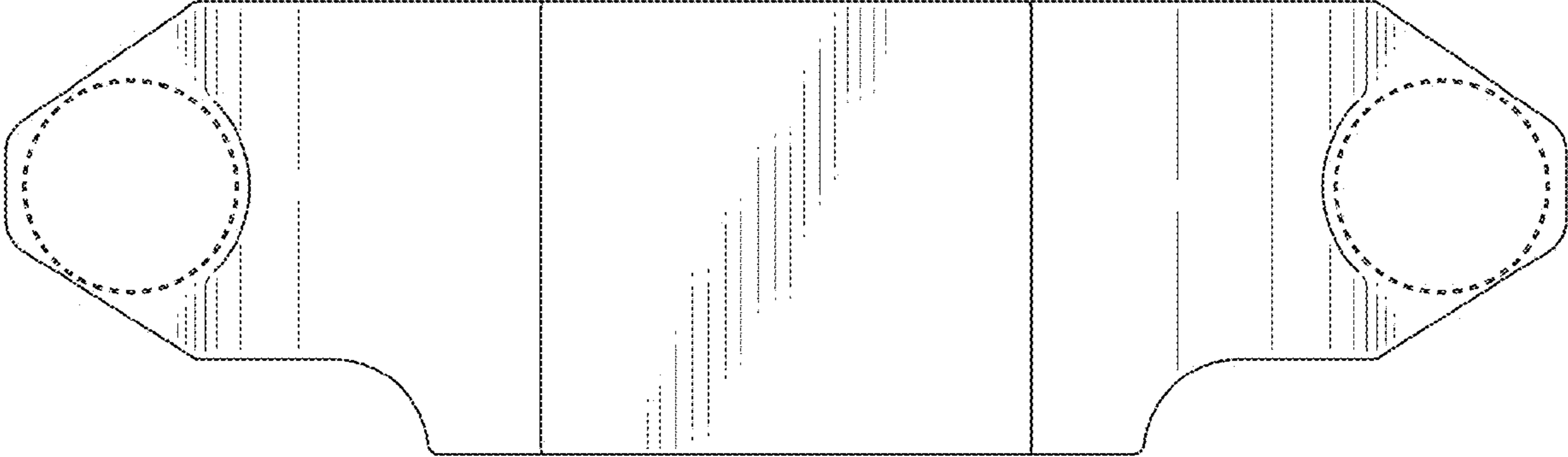


FIG. 4

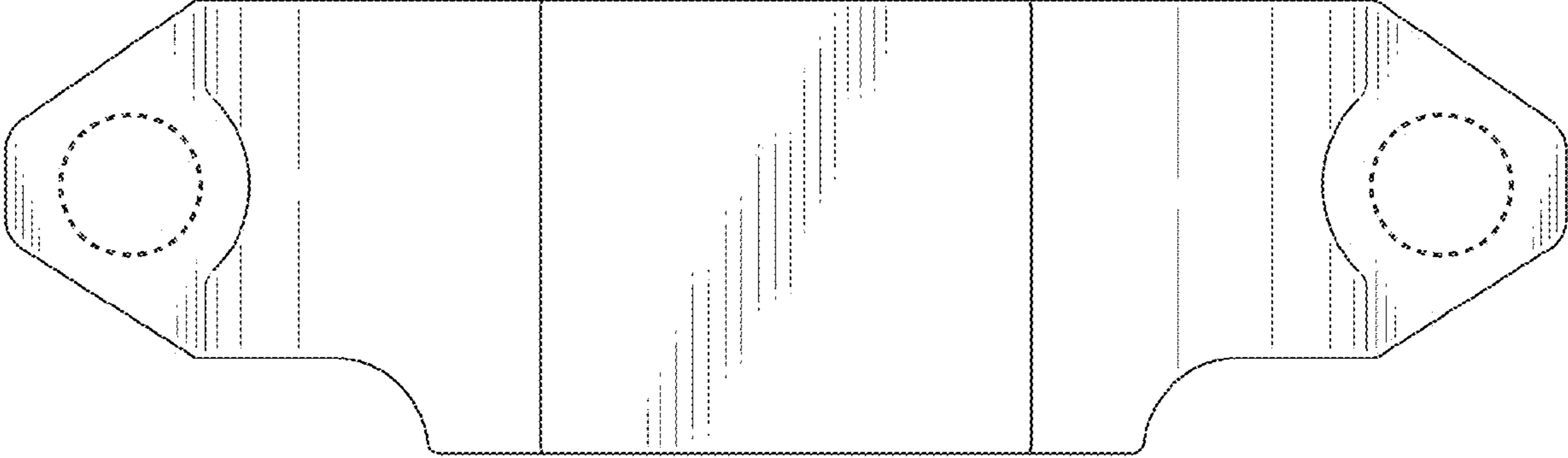


FIG. 5

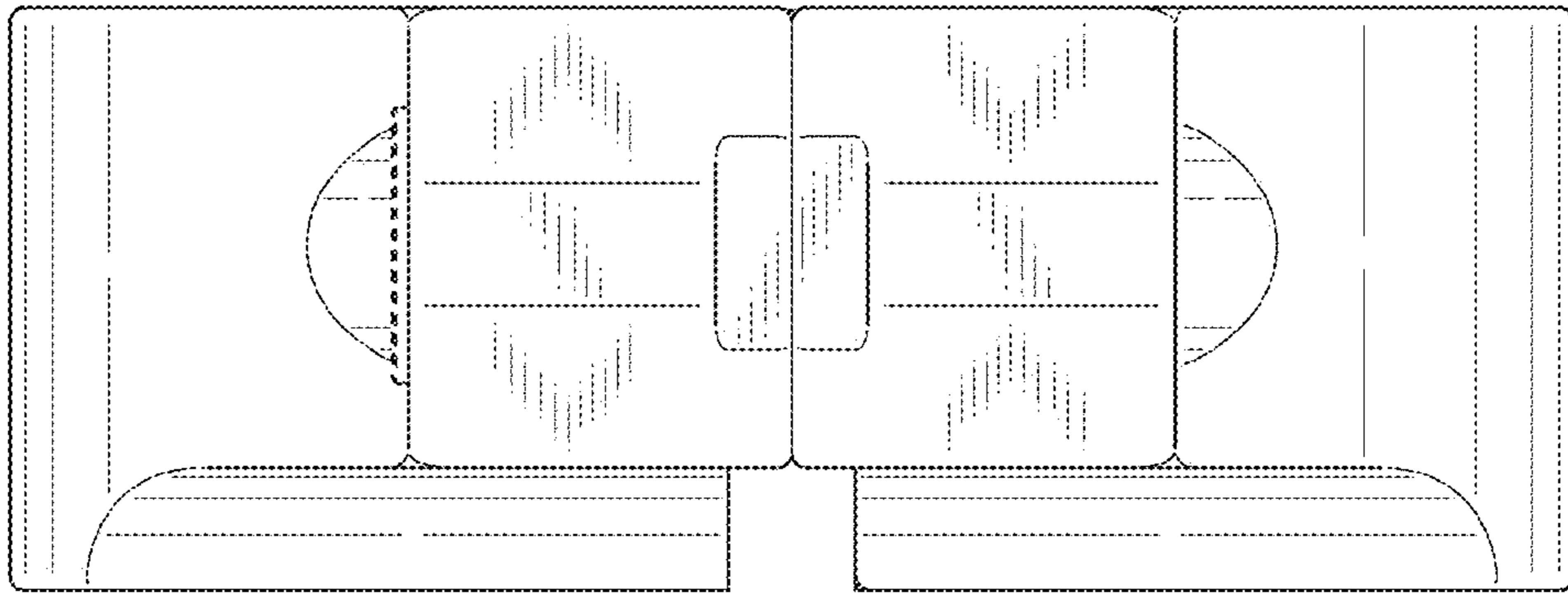


FIG. 6

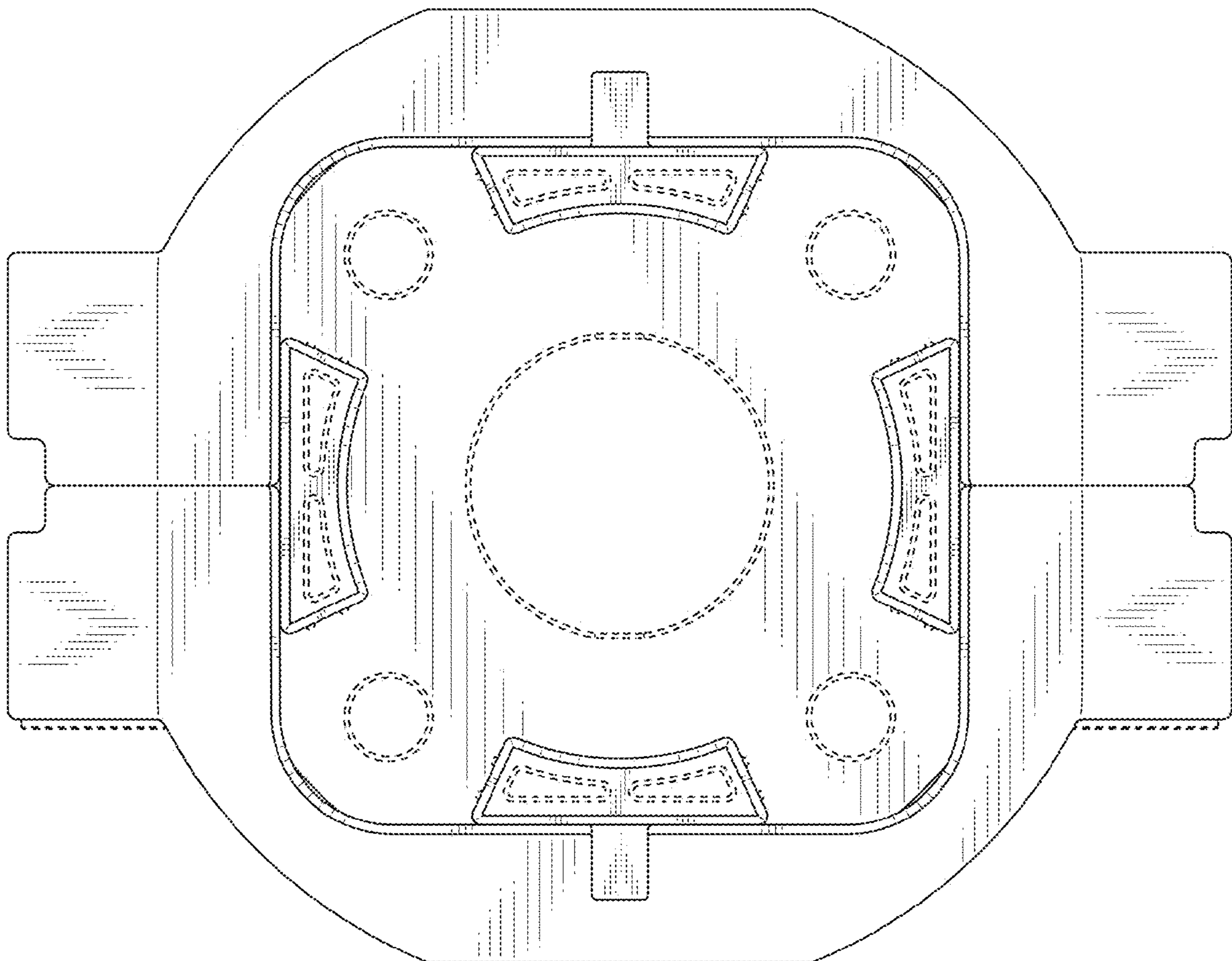


FIG. 7

