

US00D966360S

(12) **United States Design Patent** (10) **Patent No.:** **US D966,360 S**  
**Zeiner** (45) **Date of Patent:** **\*\* Oct. 11, 2022**

(54) **CUTTING TOOL**

(56) **References Cited**

(71) Applicant: **SUMITOMO ELECTRIC HARDMETAL CORP.**, Itami (JP)  
(72) Inventor: **Christoph Zeiner**, Willich (DE)  
(73) Assignee: **SUMITOMO ELECTRIC HARDMETAL CORP.**, Itami (JP)  
(\*\*) Term: **15 Years**  
(21) Appl. No.: **29/826,072**  
(22) Filed: **Feb. 9, 2022**

U.S. PATENT DOCUMENTS

1,746,716 A	2/1930	Sasse	
3,518,737 A	7/1970	Hood	
D220,920 S *	6/1971	Cochran	D15/139
4,340,325 A *	7/1982	Gowanlock	B23B 27/045 D15/139
D278,716 S *	5/1985	Pano	D15/139
D284,011 S *	5/1986	Pano	D15/139
5,184,925 A	2/1993	Woods et al.	
D365,112 S *	12/1995	Wiman	D15/139
D470,516 S *	2/2003	Andersson	D15/139
D477,003 S *	7/2003	Muren	D15/139
D481,047 S *	10/2003	Brockett	D15/139
D527,400 S *	8/2006	Konet	D15/139
D535,312 S *	1/2007	Simpson, III	D15/139

(Continued)

**Related U.S. Application Data**

(62) Division of application No. 29/762,416, filed on Dec. 16, 2020.

**Foreign Application Priority Data**

Jun. 25, 2020 (JP) ..... 2020-012813 D  
Jun. 25, 2020 (JP) ..... 2020-012814 D  
Jun. 25, 2020 (JP) ..... 2020-012815 D  
Jun. 25, 2020 (JP) ..... 2020-012816 D

(51) **LOC (13) Cl.** ..... **15-09**  
(52) **U.S. Cl.**  
USPC ..... **D15/139**

(58) **Field of Classification Search**  
USPC ..... D8/20, 70; D15/126, 131, 138, 139, 140  
CPC ..... B23B 27/145; B23B 27/1622; B23B 2200/048; B23B 2200/204; B23B 2200/085; B23B 2200/0416; B23B 2200/0423; B23B 2200/0477; B23B 2200/0494; B23C 5/205; B23C 5/207

See application file for complete search history.

*Primary Examiner* — Patricia A Palasik

(74) *Attorney, Agent, or Firm* — Faegre Drinker Biddle & Reath LLP

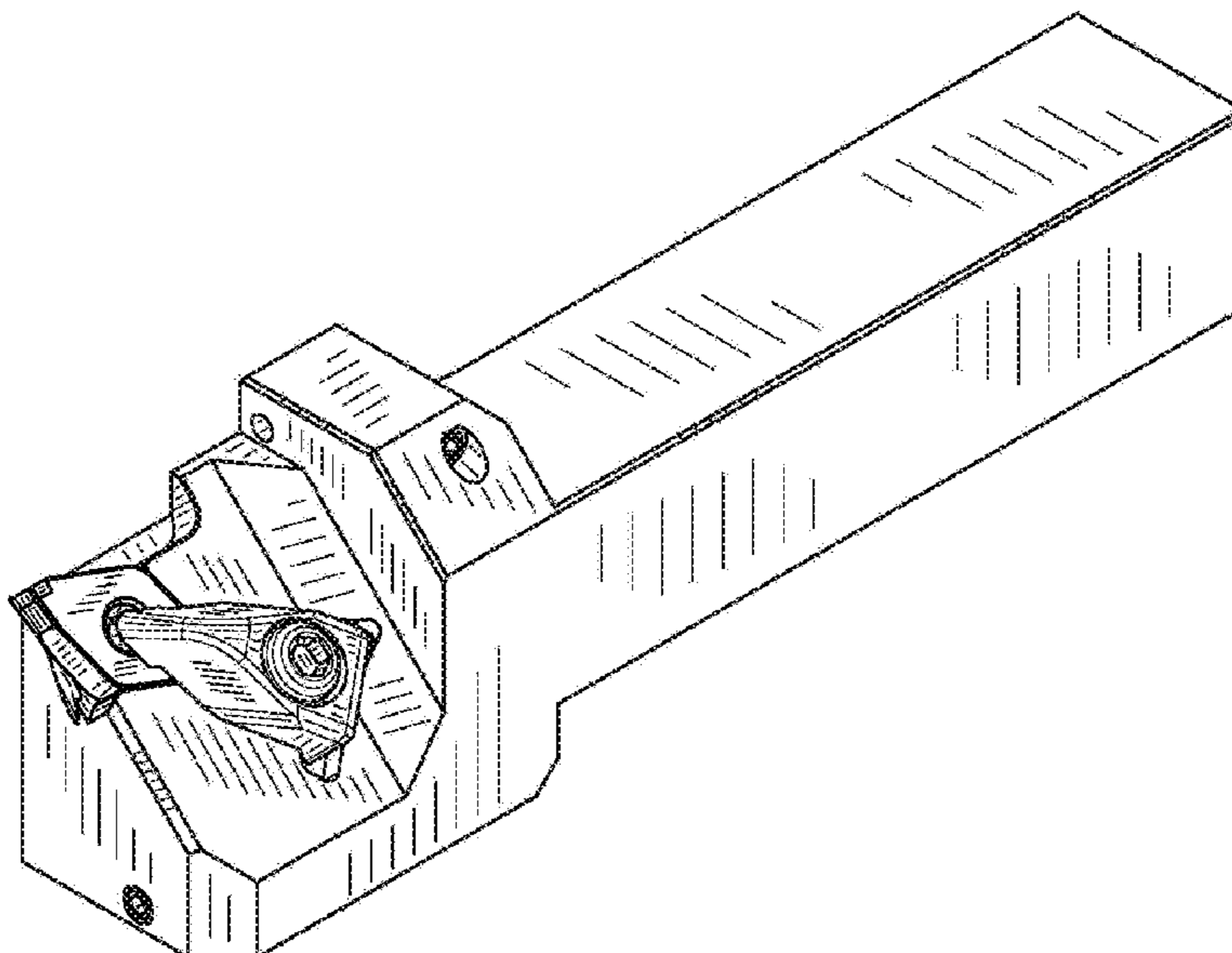
(57) **CLAIM**

The ornamental design for a cutting tool, as shown and described.

**DESCRIPTION**

FIG. 1 is a front view of a cutting tool in accordance with an embodiment of the present design;  
FIG. 2 is a rear view thereof;  
FIG. 3 is a right side view thereof;  
FIG. 4 is a left side view thereof;  
FIG. 5 is a top view thereof;  
FIG. 6 is a bottom view thereof;  
FIG. 7 is a first perspective view thereof;  
FIG. 8 is a second perspective view thereof;  
FIG. 9 is a third perspective view thereof;  
FIG. 10 is a fourth perspective view thereof; and,  
FIG. 11 is a referential view showing the state in use thereof.  
The broken lines shown in the drawings represent portions of the cutting tool that form no part of the claimed design.

**1 Claim, 6 Drawing Sheets**



(56)

**References Cited**

## U.S. PATENT DOCUMENTS

D550,730 S \* 9/2007 Nicholas ..... D15/140  
D595,750 S \* 7/2009 Ericksson ..... D15/139  
D595,751 S 7/2009 Sakata et al.  
D607,025 S \* 12/2009 Niemi ..... D15/139  
D688,716 S \* 8/2013 Lampe ..... D15/139  
D700,639 S \* 3/2014 Choi ..... D15/139  
D700,640 S \* 3/2014 Choi ..... D15/139  
D718,357 S \* 11/2014 Park ..... D15/139  
D805,564 S \* 12/2017 Lee ..... B23C 5/00  
D15/139  
D805,566 S \* 12/2017 Oh ..... B25C 5/06  
D15/139  
D823,089 S 7/2018 Shikama  
D838,755 S 1/2019 Takahashi  
D844,684 S 4/2019 Ojanen  
D845,360 S \* 4/2019 Kobayashi ..... D15/139  
D847,883 S \* 5/2019 Kobayashi ..... D15/139  
D898,085 S \* 10/2020 Kim ..... B23C 5/202  
D15/139  
D900,893 S 11/2020 English  
D908,752 S \* 1/2021 Nagafuchi ..... B23B 27/145  
D15/139  
D922,460 S 6/2021 Park et al.  
D924,950 S 7/2021 Wen et al.  
D936,713 S \* 11/2021 Endoh ..... D15/139  
2003/0077134 A1 4/2003 Moser et al.  
2013/0051940 A1 2/2013 Hobohm et al.

\* cited by examiner

FIG. 1

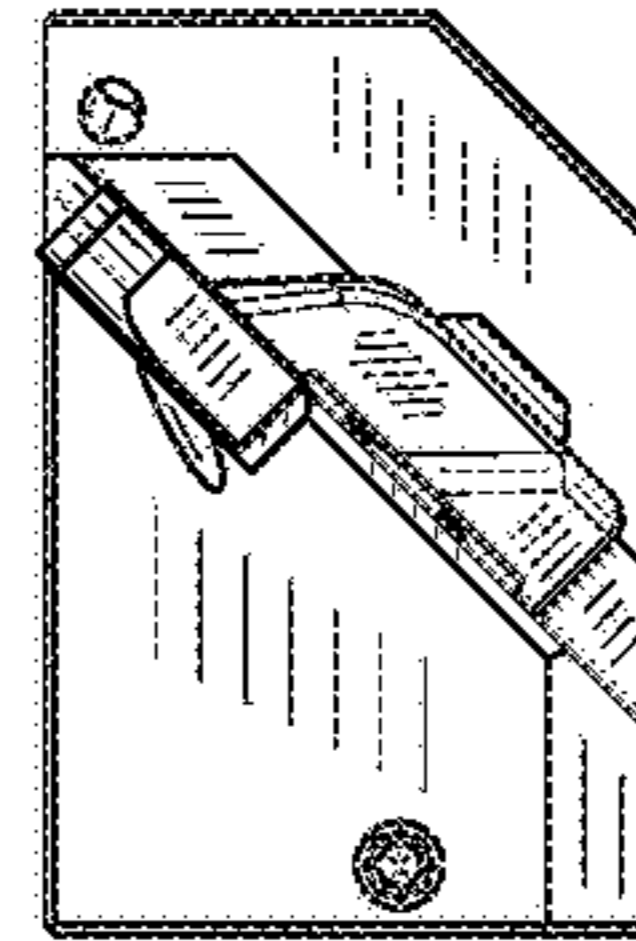


FIG. 2

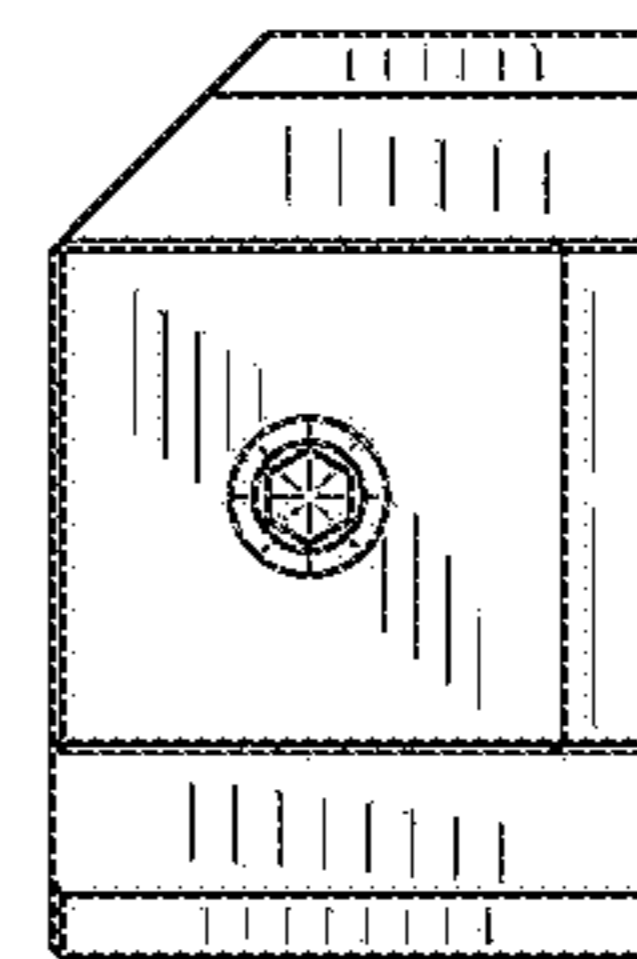


FIG. 3

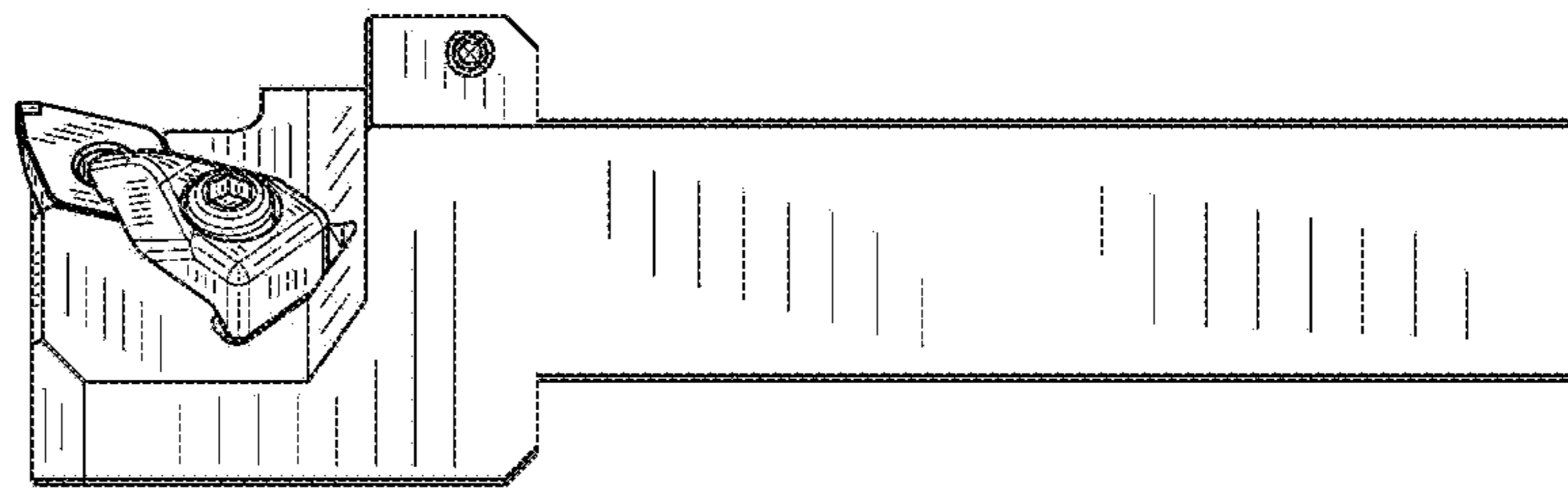


FIG. 4

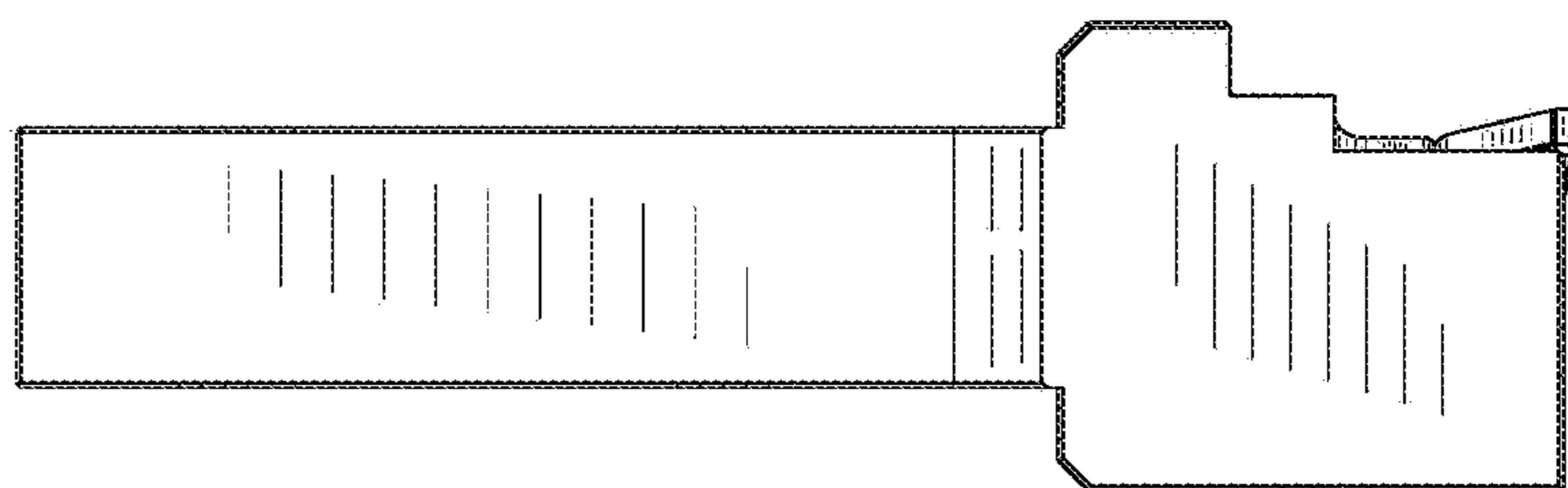


FIG. 5

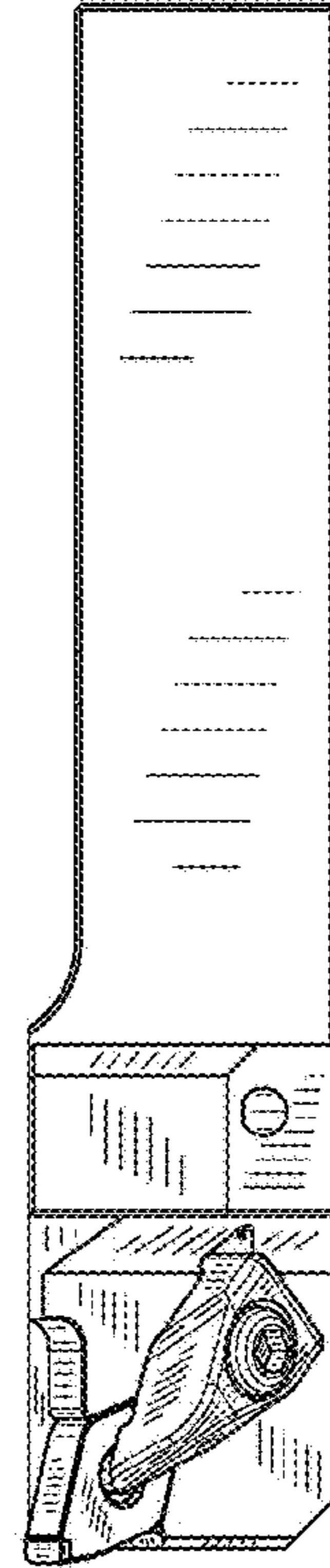


FIG. 6

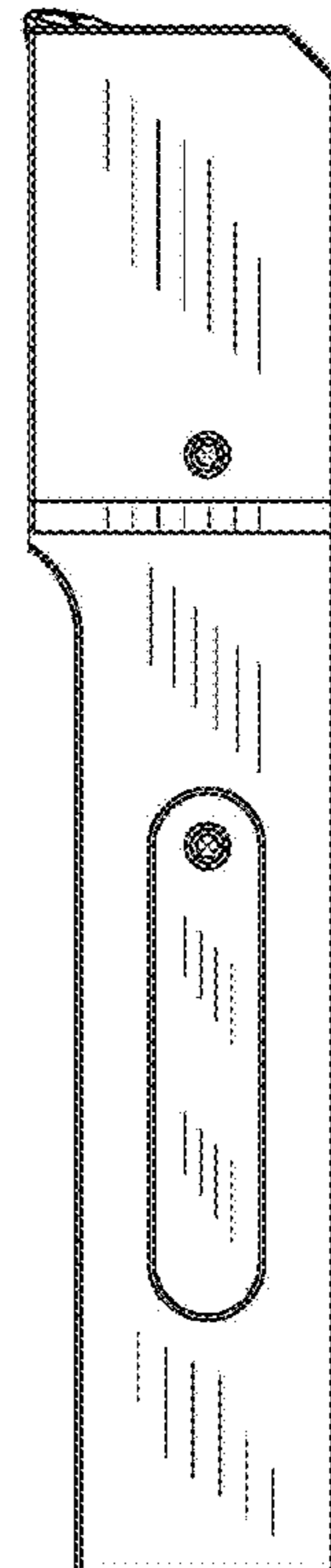


FIG. 7

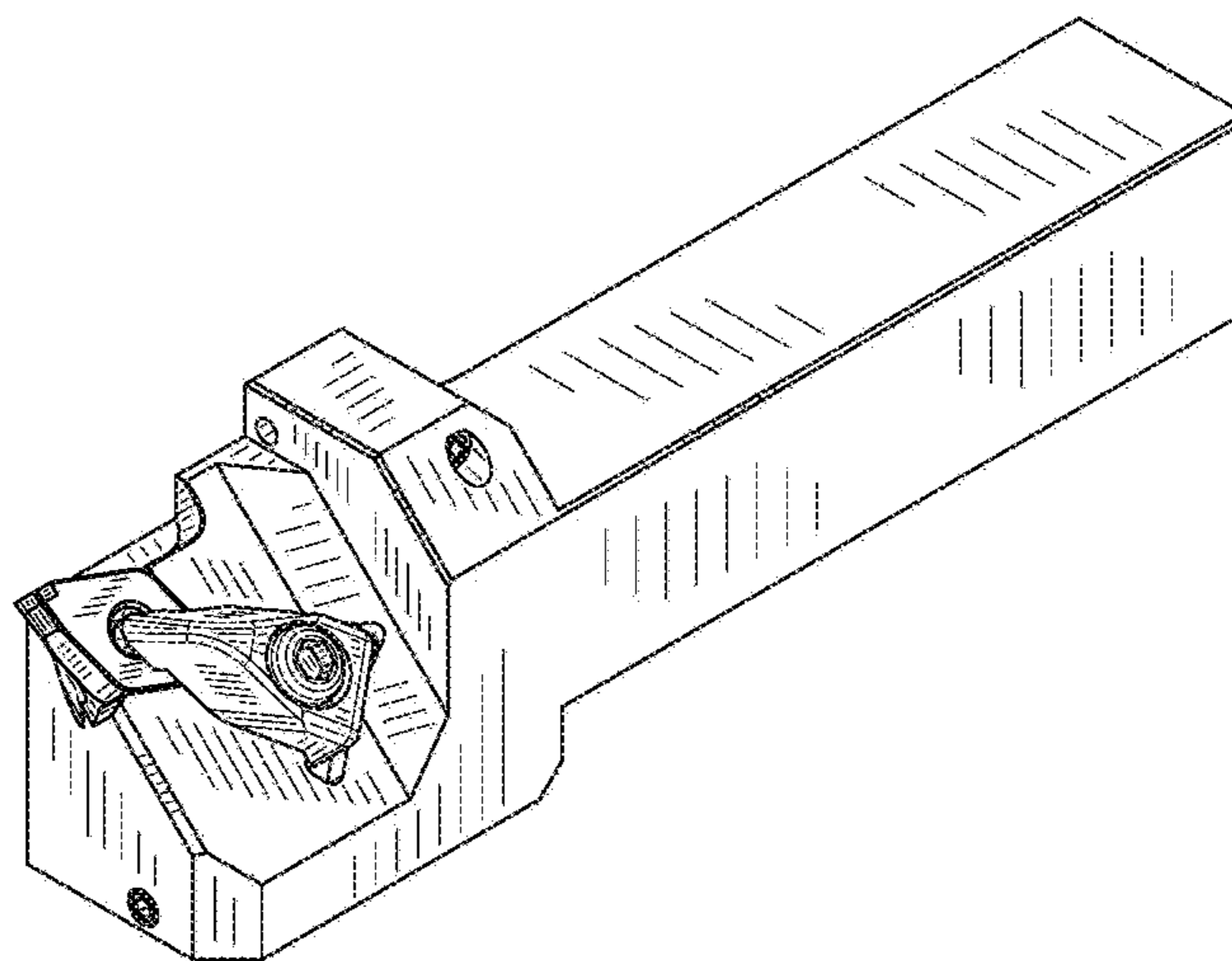


FIG. 8

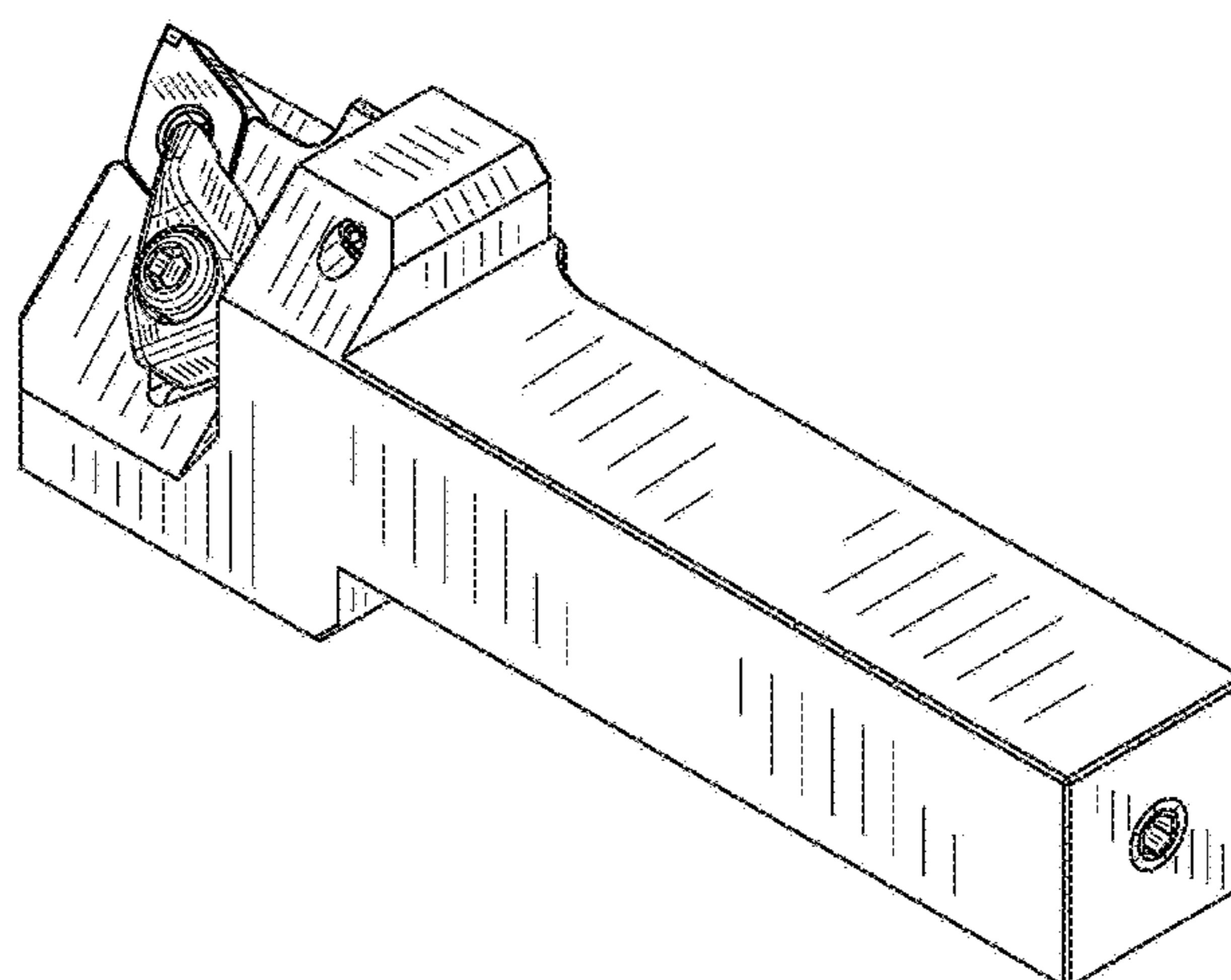


FIG. 9

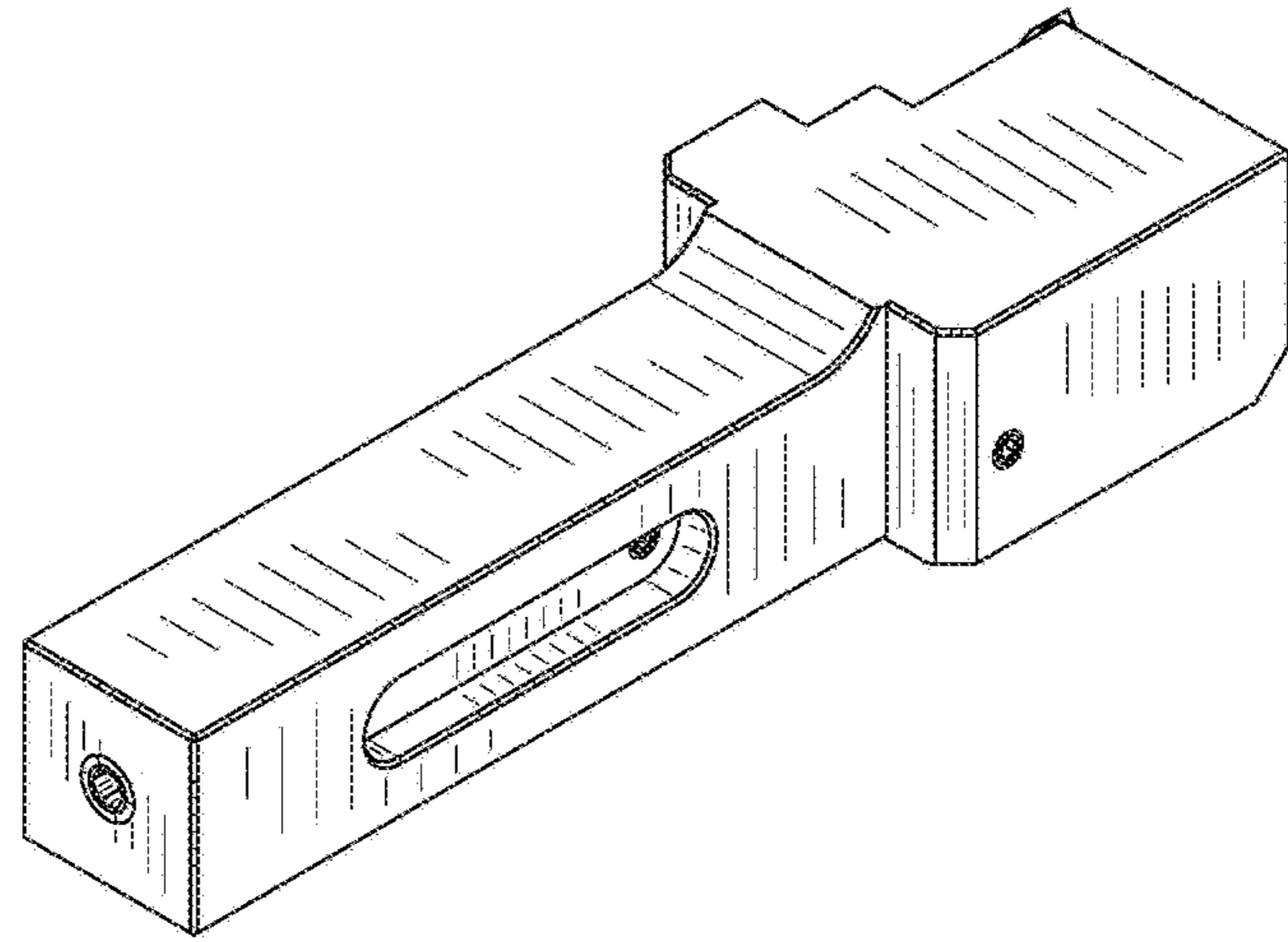


FIG. 10

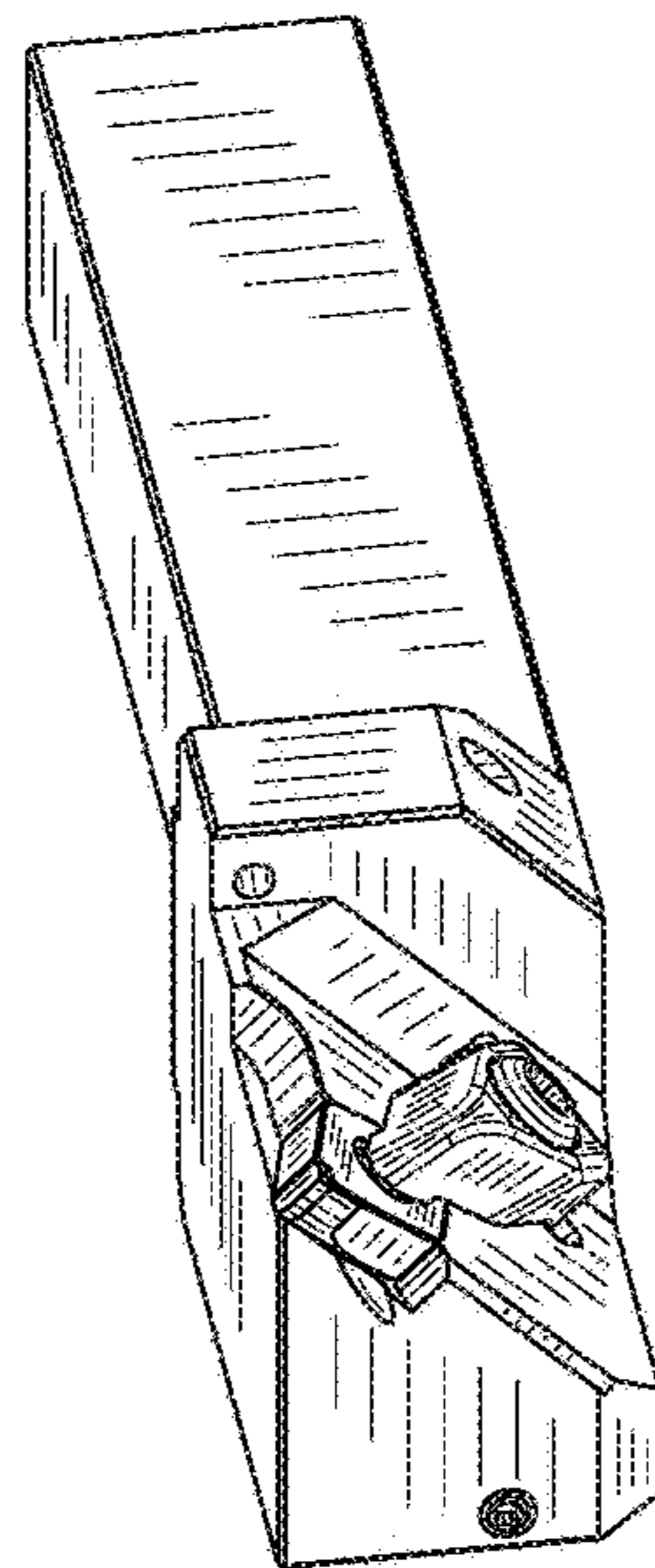


FIG. 11

