

US00D966359S

(12) **United States Design Patent**
Ueda et al.

(10) **Patent No.:** **US D966,359 S**
(45) **Date of Patent:** **** Oct. 11, 2022**

(54) **CUTTING EDGE FOR DRILLING TOOL**

FOREIGN PATENT DOCUMENTS

(71) Applicant: **SUMITOMO ELECTRIC
HARDMETAL CORP.**, Itami (JP)

JP 1522840 S 4/2015

Primary Examiner — Patricia A Palasik

(72) Inventors: **Akihiko Ueda**, Itami (JP); **Yoshinori
Tanigawa**, Itami (JP); **Machiko Abe**,
Itami (JP)

(74) *Attorney, Agent, or Firm* — Faegre Drinker Biddle &
Reath LLP

(73) Assignee: **SUMITOMO ELECTRIC
HARDMETAL CORP.**, Itami (JP)

(57) **CLAIM**

The ornamental design for a cutting edge for drilling tool, as
shown and described.

(**) Term: **15 Years**

DESCRIPTION

(21) Appl. No.: **29/706,958**

(22) Filed: **Sep. 25, 2019**

(30) **Foreign Application Priority Data**

Mar. 27, 2019 (JP) 2019-006517
Mar. 27, 2019 (JP) 2019-006518

(51) **LOC (13) Cl.** **15-09**

(52) **U.S. Cl.**
USPC **D15/139**

(58) **Field of Classification Search**
USPC D15/138, 150, 151, 152
CPC F16C 33/6603; F16C 41/00; F16C 43/04;
F16C 2237/00

See application file for complete search history.

(56) **References Cited**

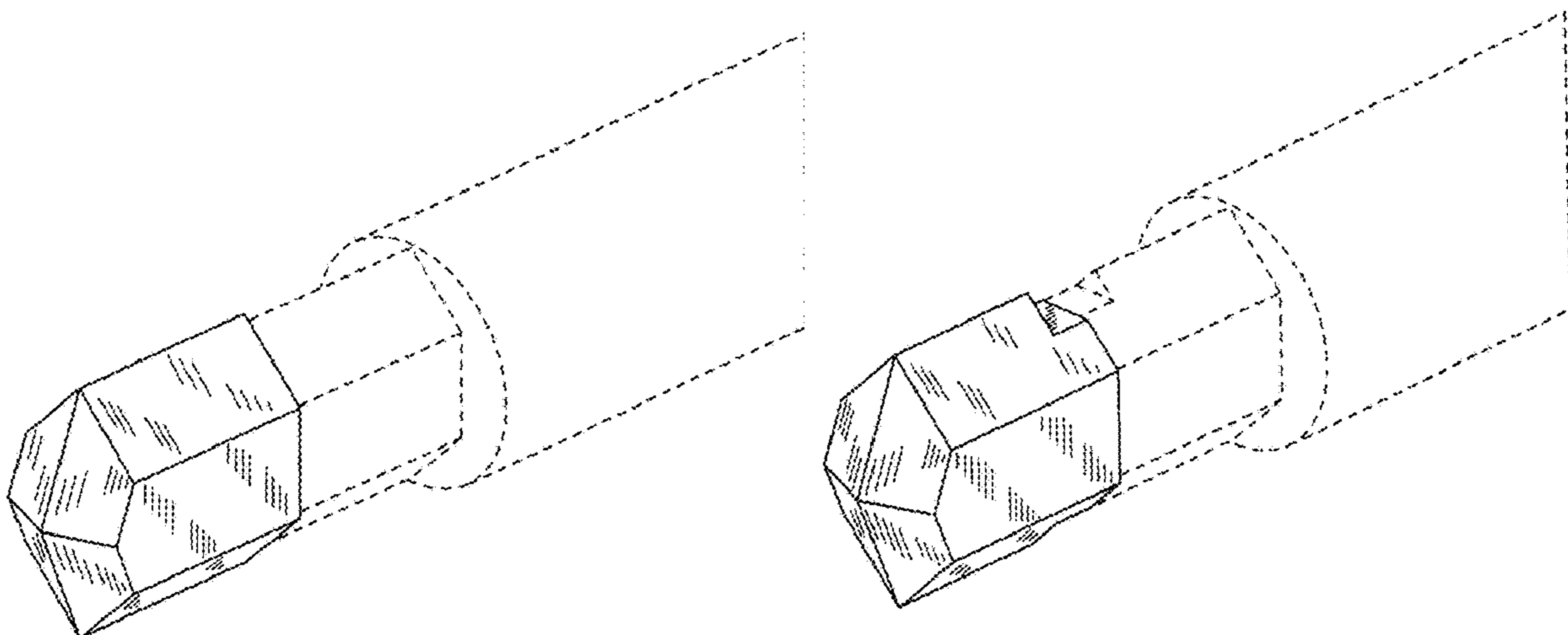
U.S. PATENT DOCUMENTS

1,746,716 A * 2/1930 Sasse B23B 51/0486
408/59
D255,800 S * 7/1980 Kendra D15/139
D371,374 S * 7/1996 Fischer D15/139
D381,029 S * 7/1997 Bartlett D15/139
6,976,549 B2 * 12/2005 Haussmann B23B 51/00
175/401
D531,651 S * 11/2006 Yanagimoto D15/139

(Continued)

FIG. 1 is a front view of a cutting edge for drilling tool of
a first embodiment showing our new design;
FIG. 2 is a rear view thereof;
FIG. 3 is a right side view thereof;
FIG. 4 is a left side view thereof;
FIG. 5 is a top view thereof;
FIG. 6 is a bottom view thereof;
FIG. 7 is a first perspective view thereof;
FIG. 8 is a second perspective view thereof;
FIG. 9 is a referential view showing the state in use thereof;
FIG. 10 is an enlarged view of the portion 10 in FIG. 9;
FIG. 11 is a front view of a cutting edge for drilling tool of
a second embodiment showing our new design;
FIG. 12 is a rear view thereof;
FIG. 13 is a right side view thereof;
FIG. 14 is a left side view thereof;
FIG. 15 is a top view thereof;
FIG. 16 is a bottom view thereof;
FIG. 17 is a first perspective view thereof;
FIG. 18 is a second perspective view thereof;
FIG. 19 is a referential view showing the state in use thereof;
and,
FIG. 20 is an enlarged view of the portion 20 in FIG. 19.
The broken lines shown in views represent portions of the
cutting edge for drilling tool that form no part of the claimed
design.

1 Claim, 10 Drawing Sheets



(56)

References Cited

U.S. PATENT DOCUMENTS

D633,535	S *	3/2011	Tanaka	D15/139
D647,116	S *	10/2011	Omi	D15/139
D649,987	S *	12/2011	Dunnahoe	D15/139
D734,790	S *	7/2015	O'Malley	D15/139
D772,320	S *	11/2016	McQueen, Jr.	D15/139
D794,691	S *	8/2017	Yano	D15/139
D844,034	S *	3/2019	Yano	D15/139
D844,683	S *	4/2019	Yano	D15/139
D847,231	S *	4/2019	Abe	D15/139
D856,387	S *	8/2019	Abe	D15/139
D857,069	S *	8/2019	Abe	D15/139
D908,752	S *	1/2021	Nagafuchi	B23B 27/145
					D15/139
2003/0077134	A1 *	4/2003	Moser	B28D 1/146
					408/231
2013/0051940	A1 *	2/2013	Hobohm	B23C 5/28
					407/53

* cited by examiner

FIG.1

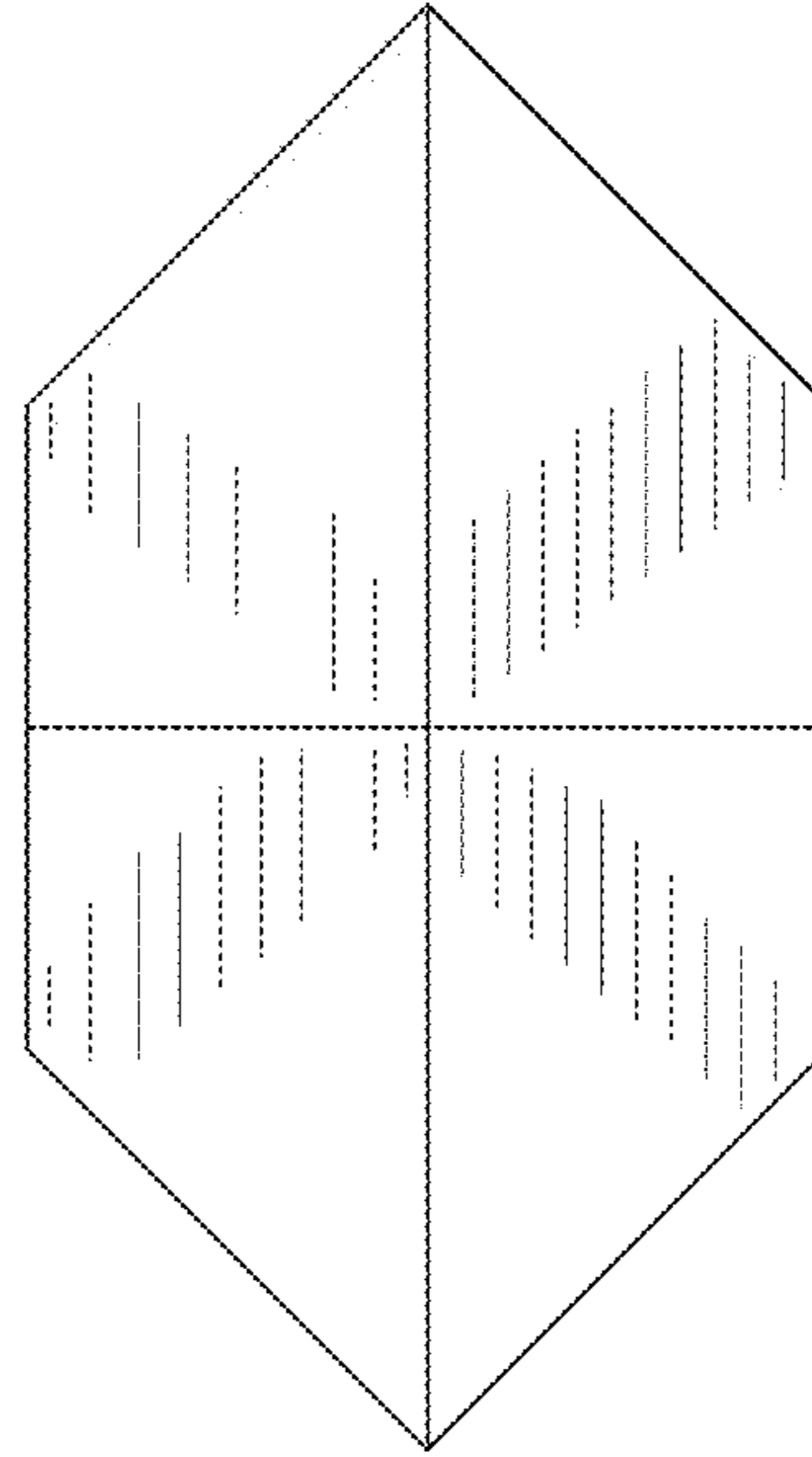


FIG.2

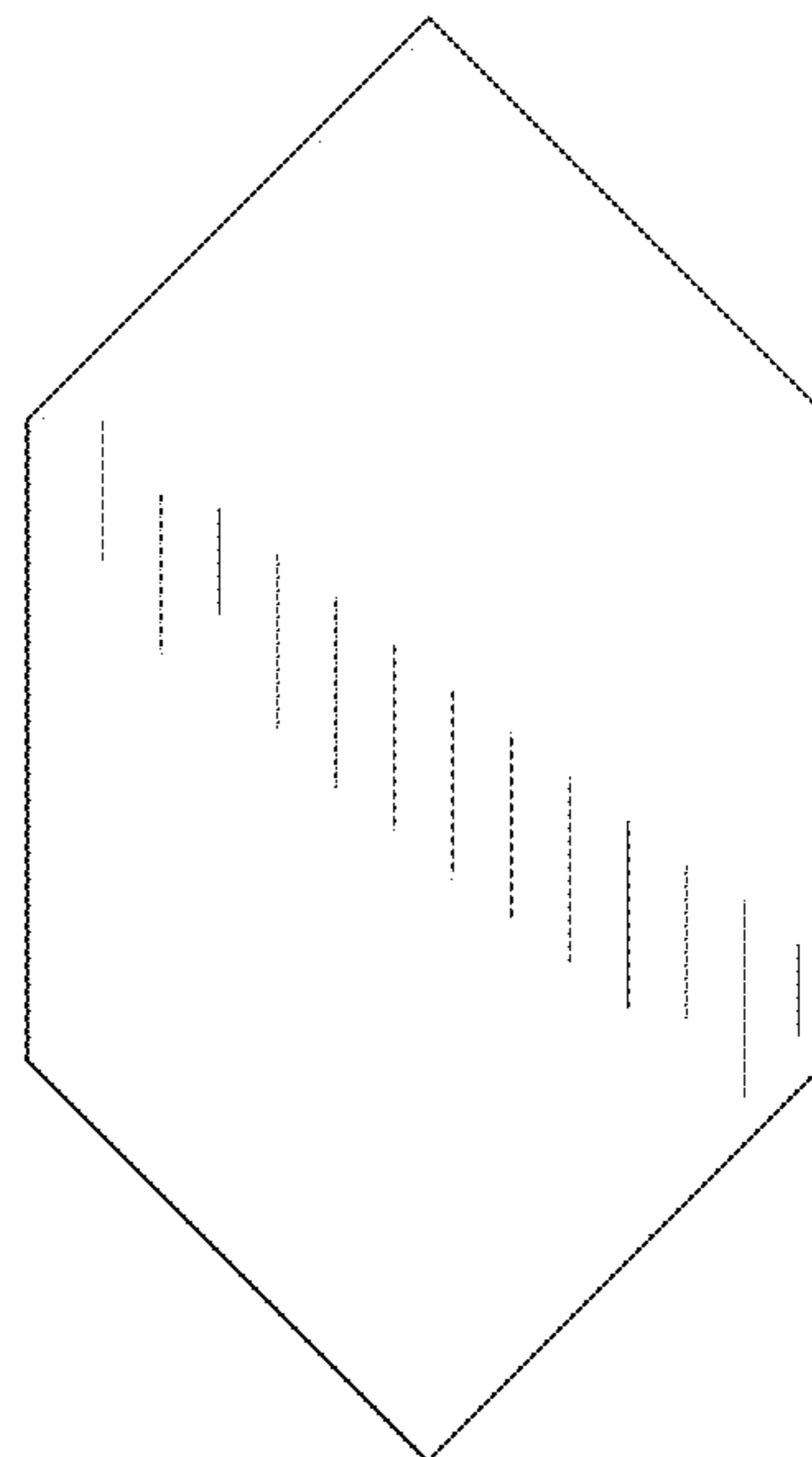


FIG.3

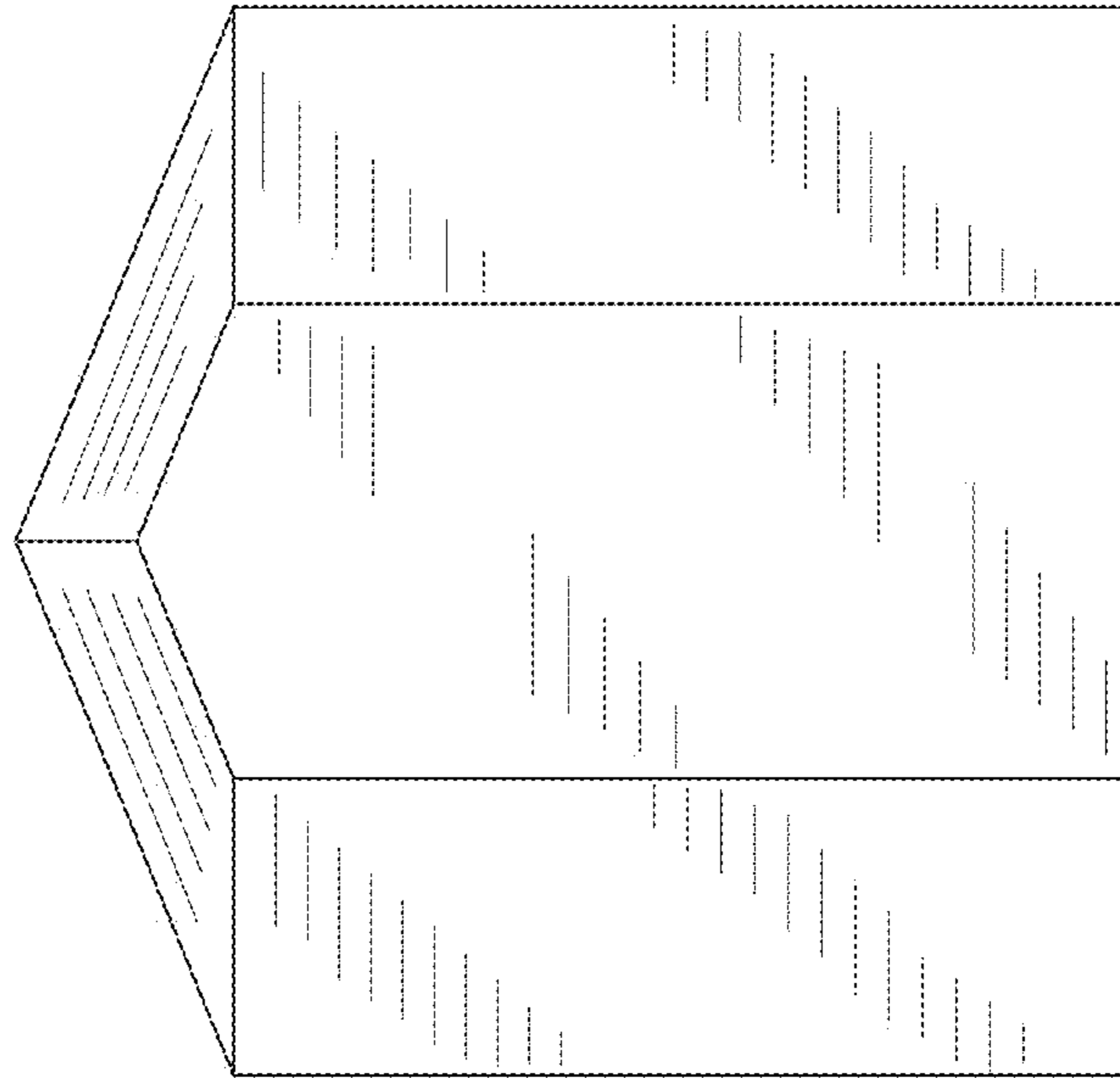


FIG.4

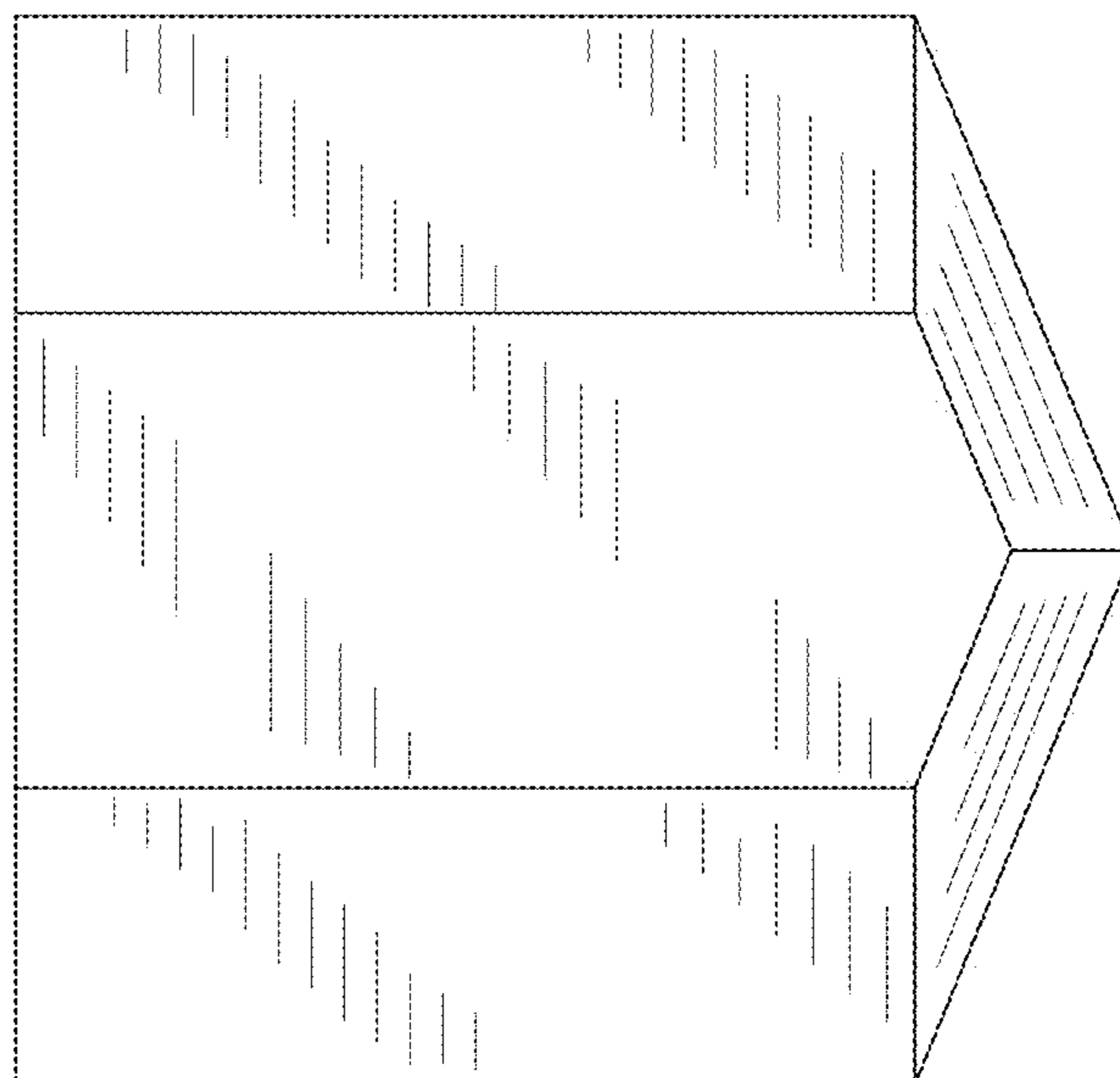


FIG.5

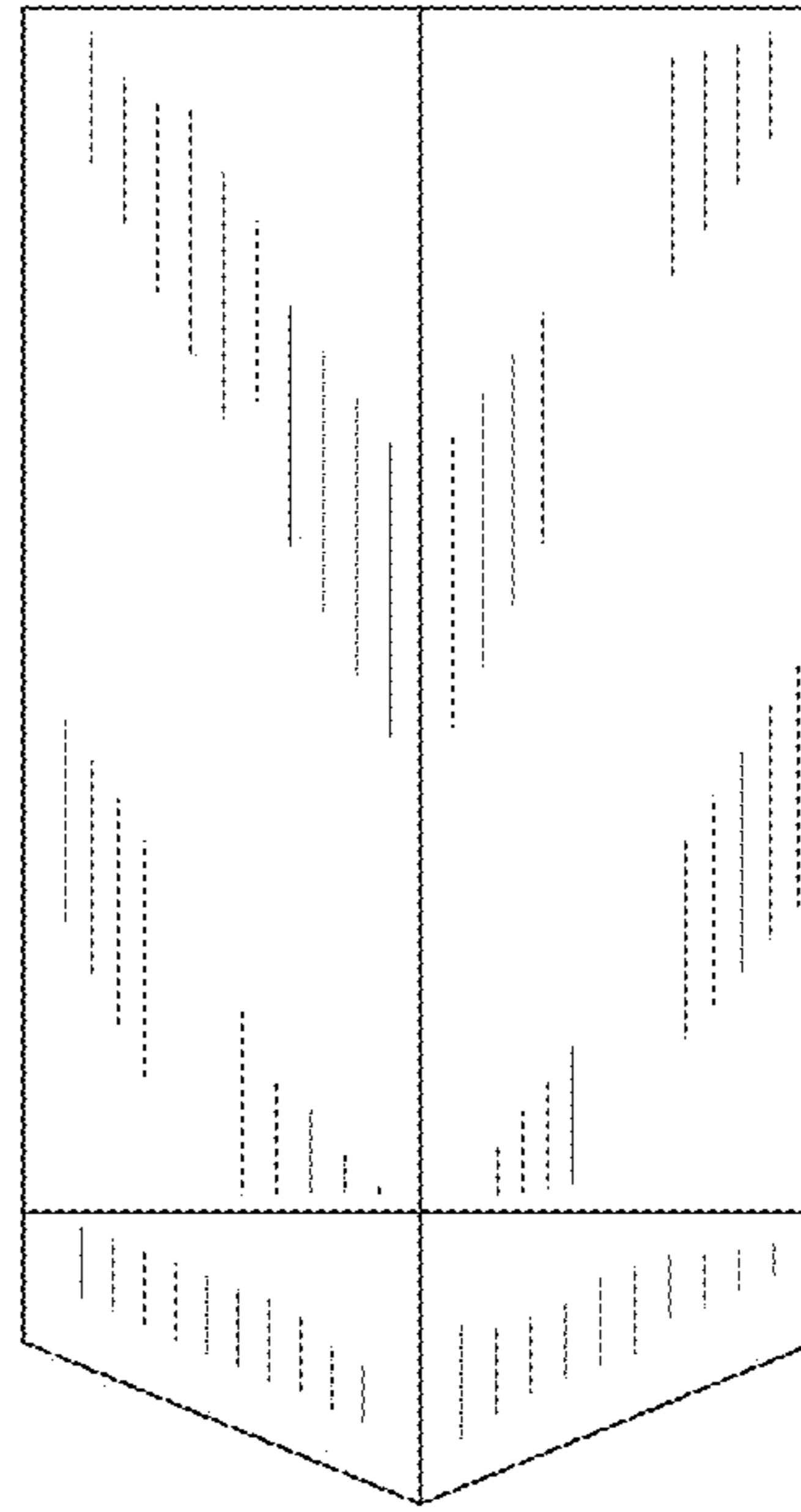


FIG.6

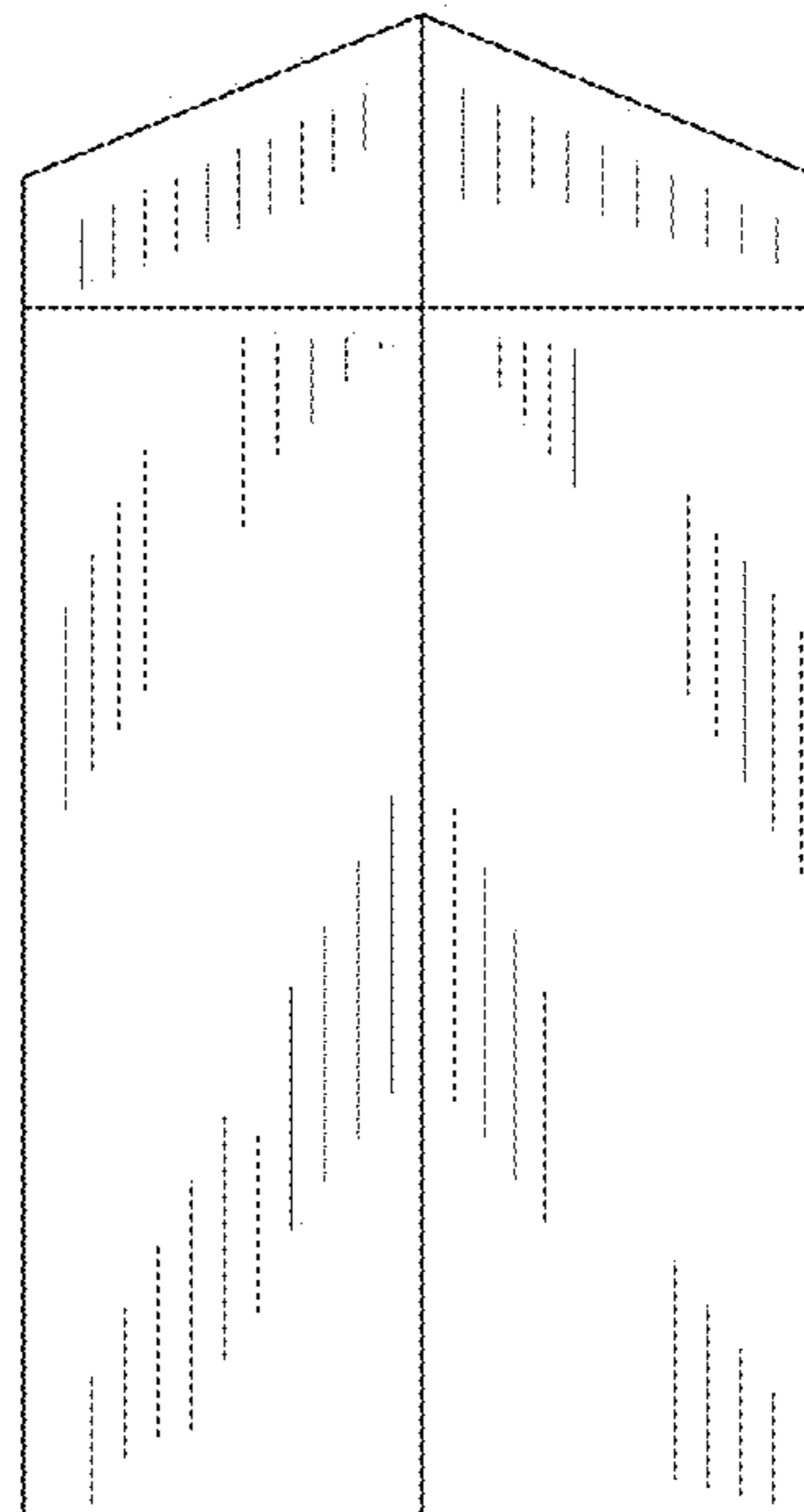


FIG.7

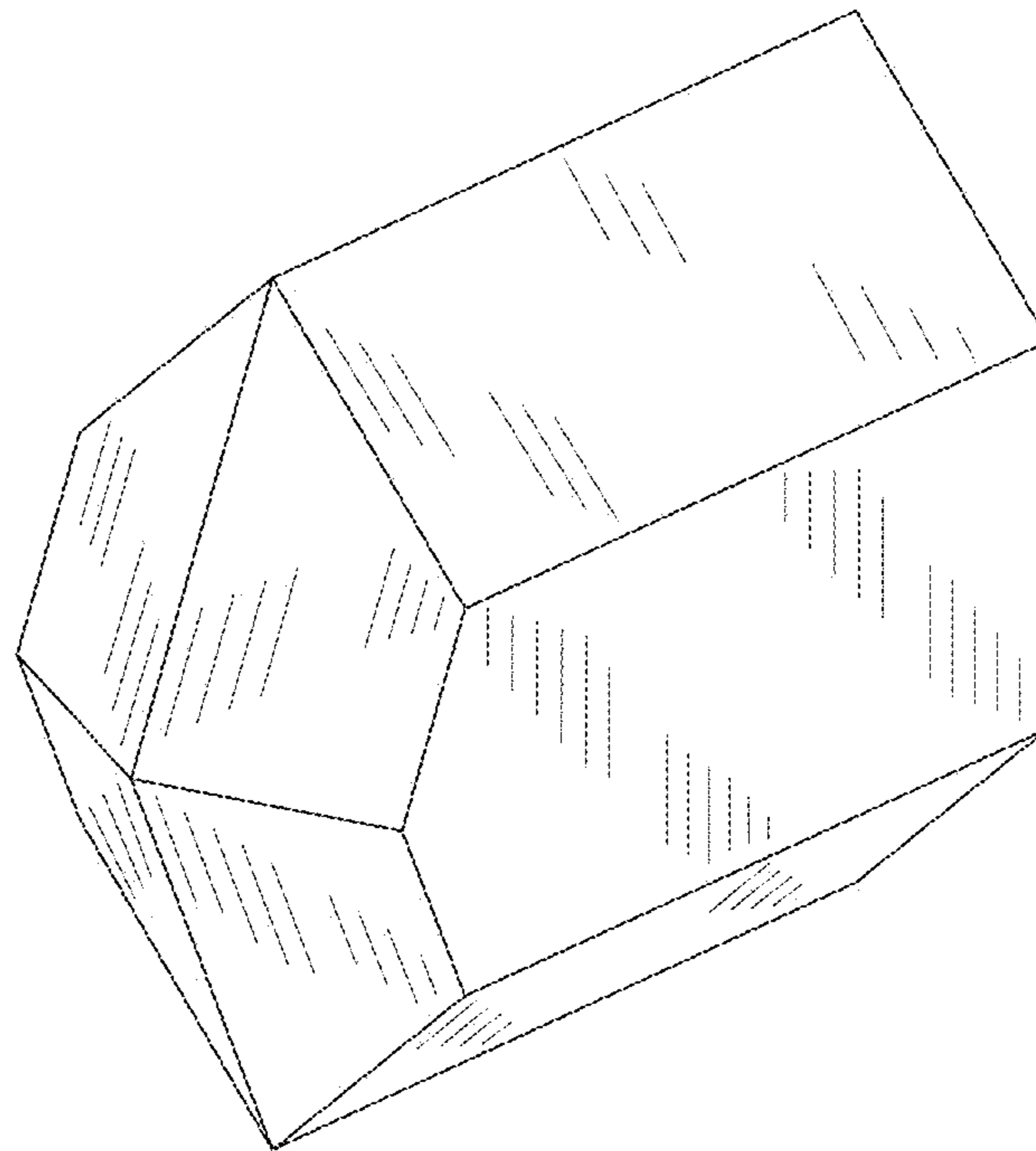


FIG.8

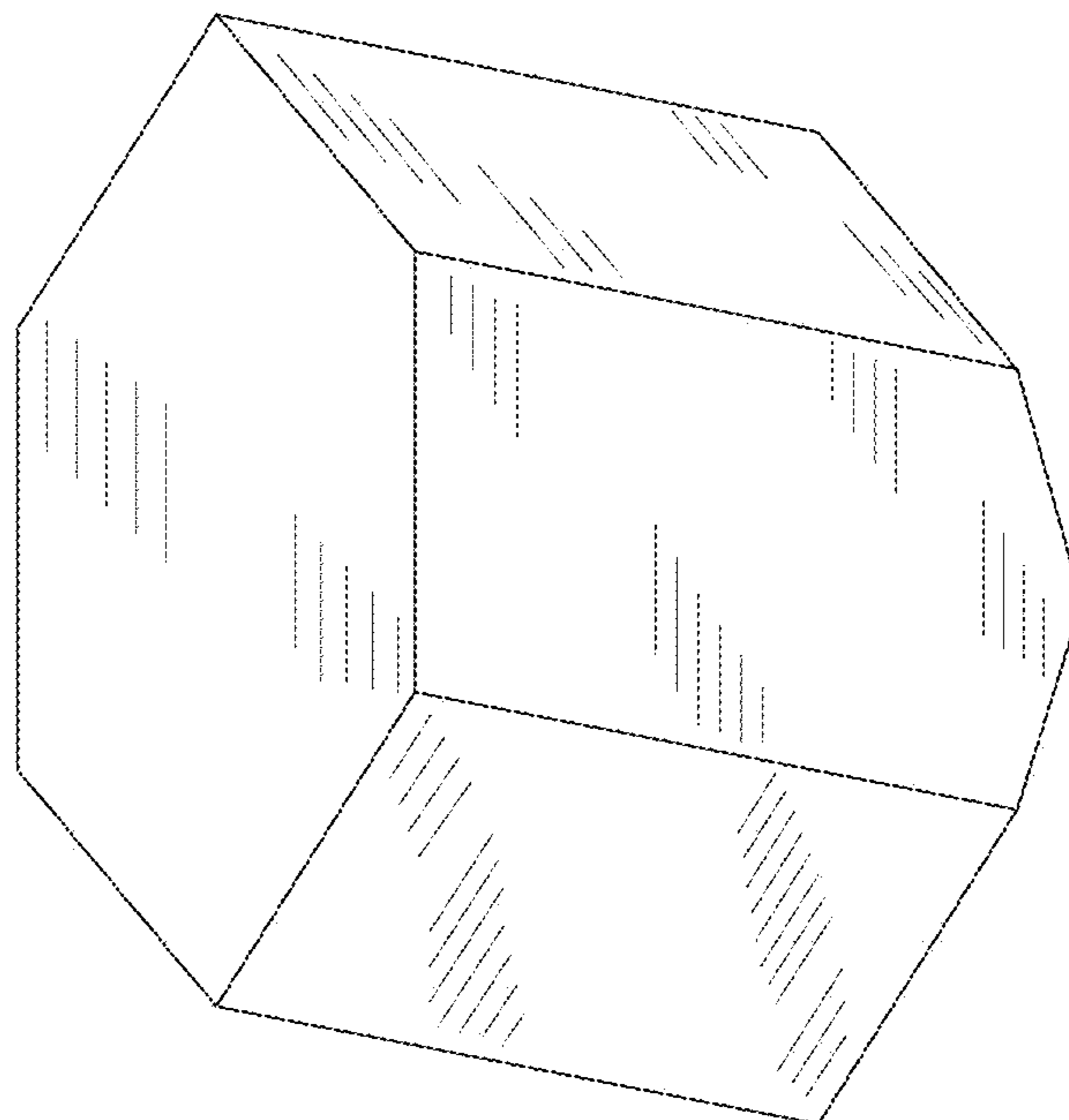


FIG.9

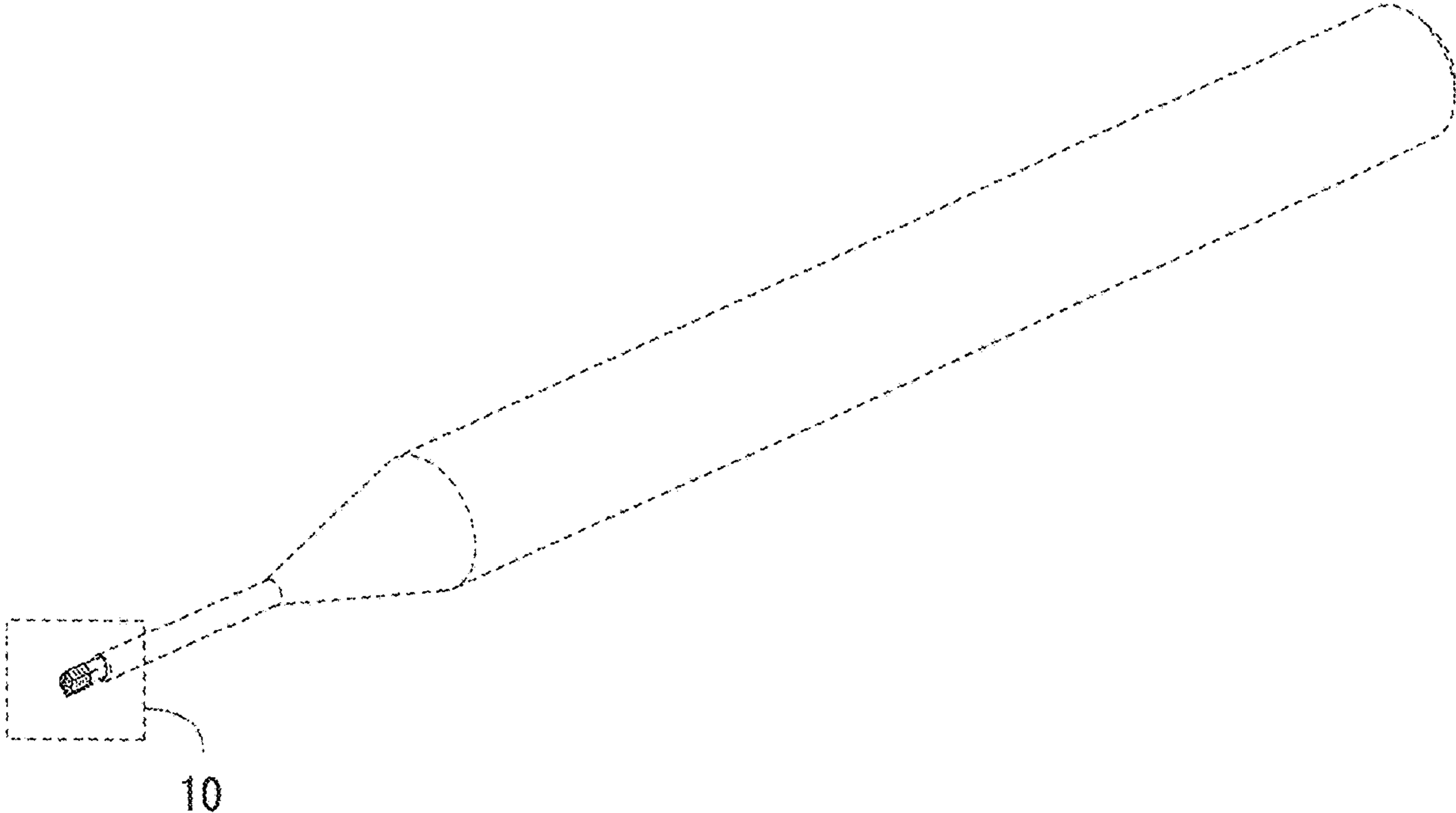


FIG.10

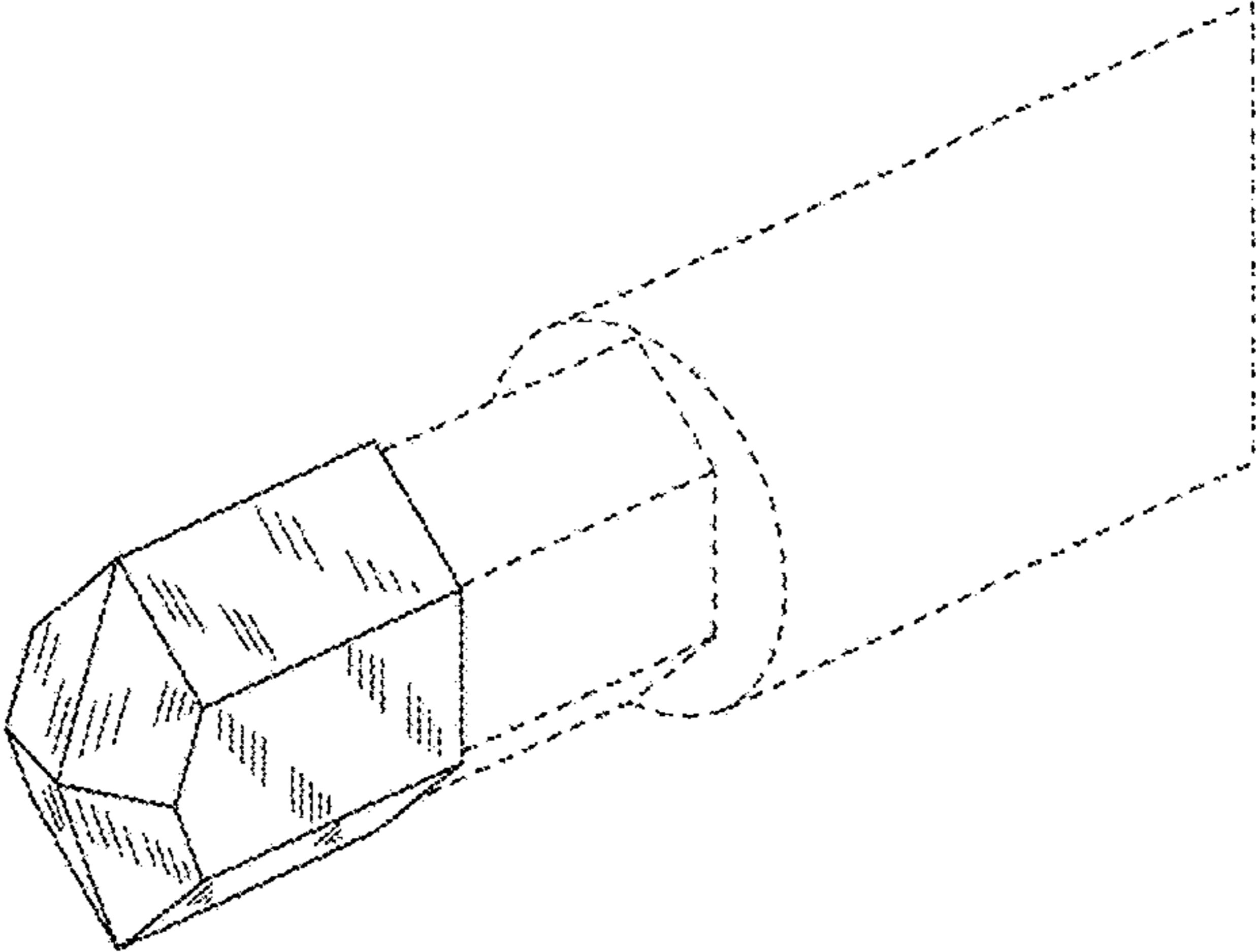


FIG. 11

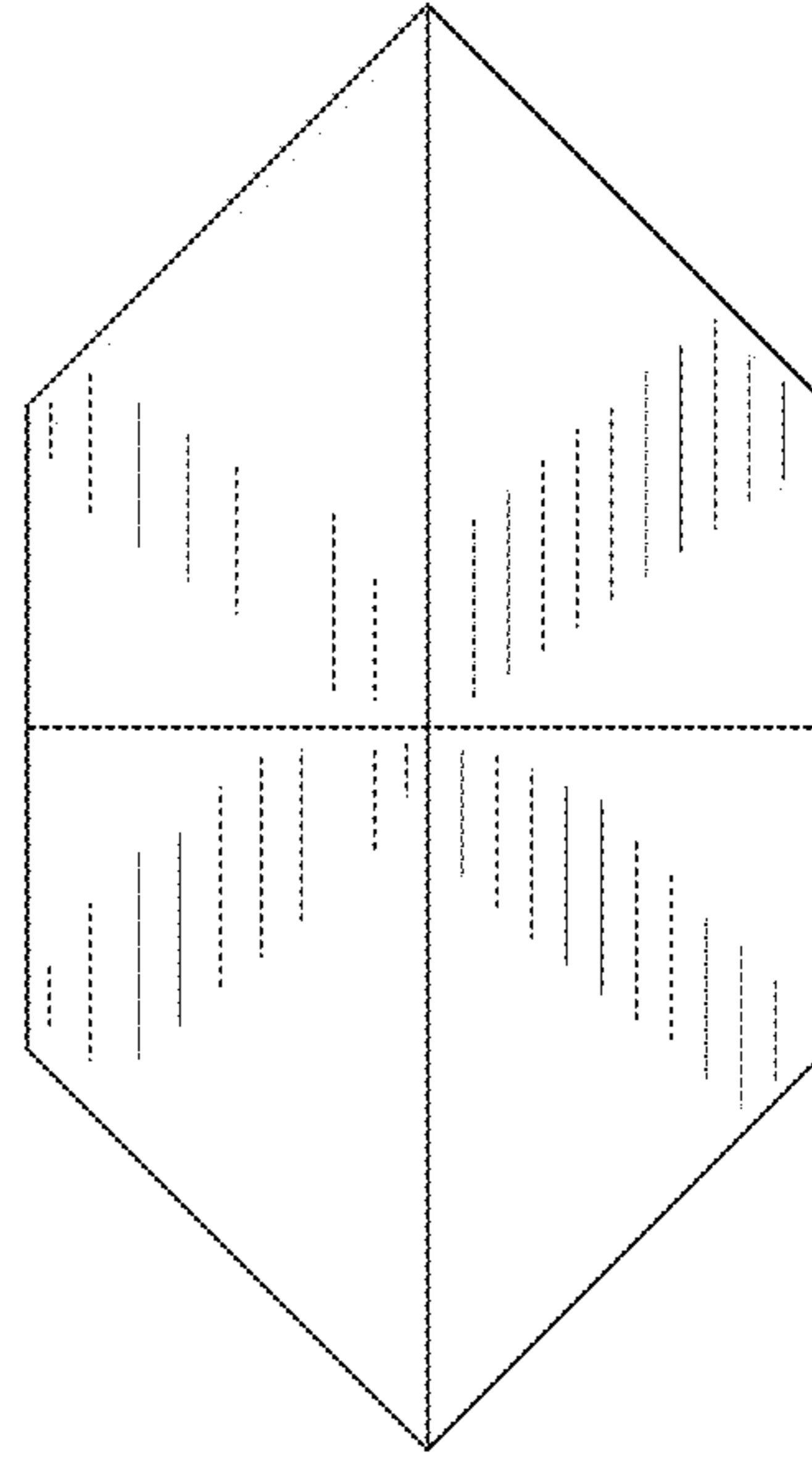


FIG. 12

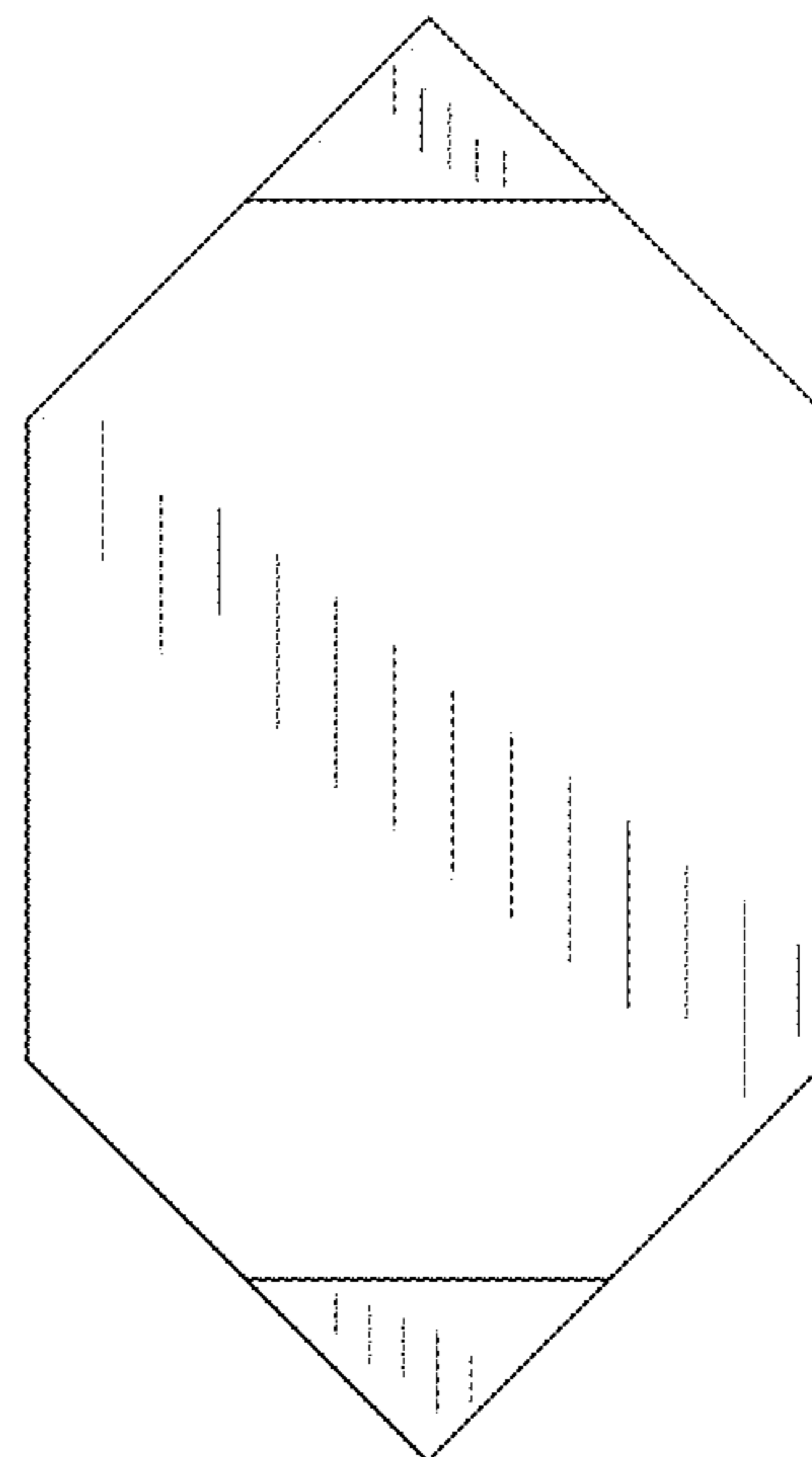


FIG.13

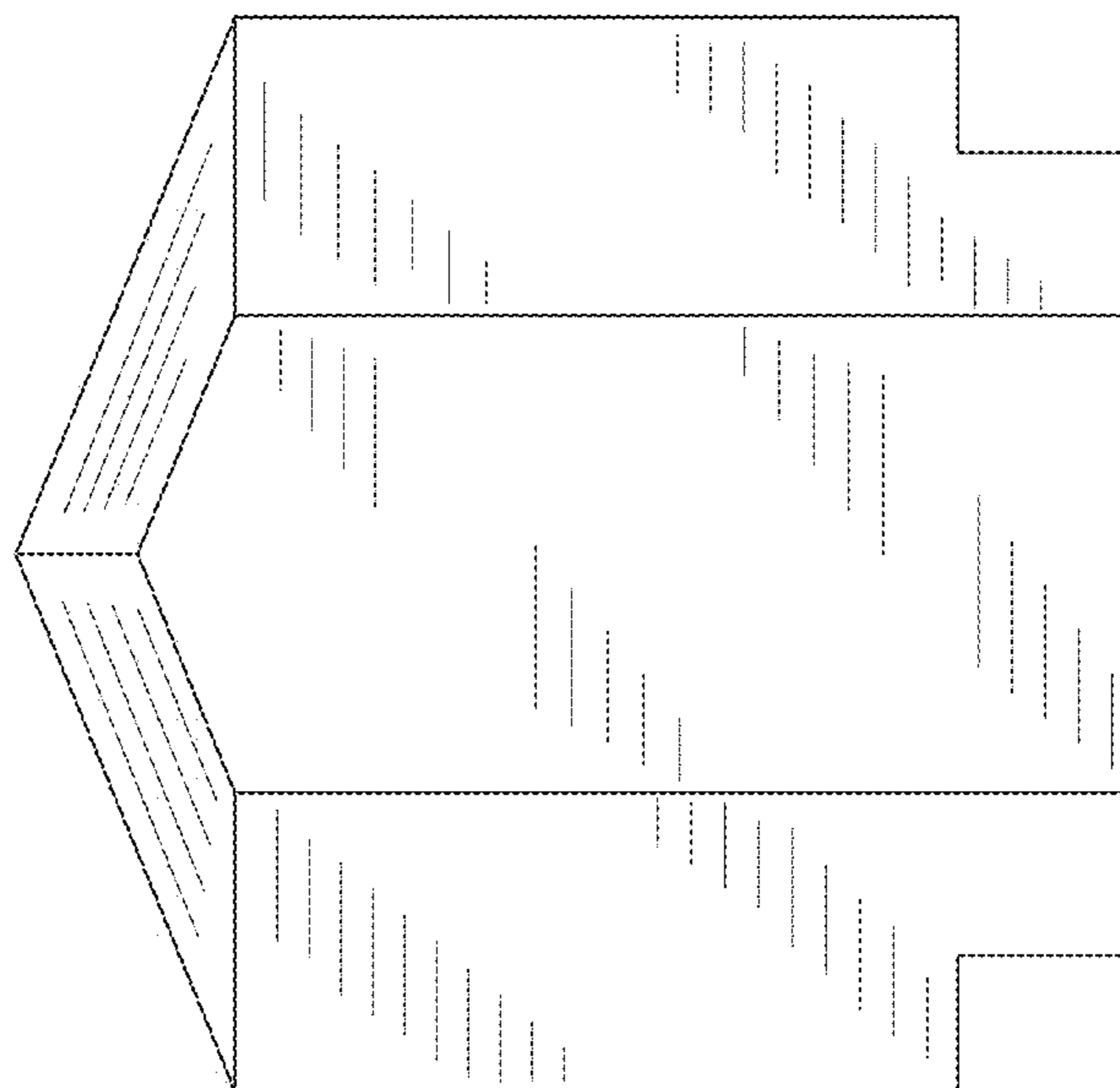


FIG.14

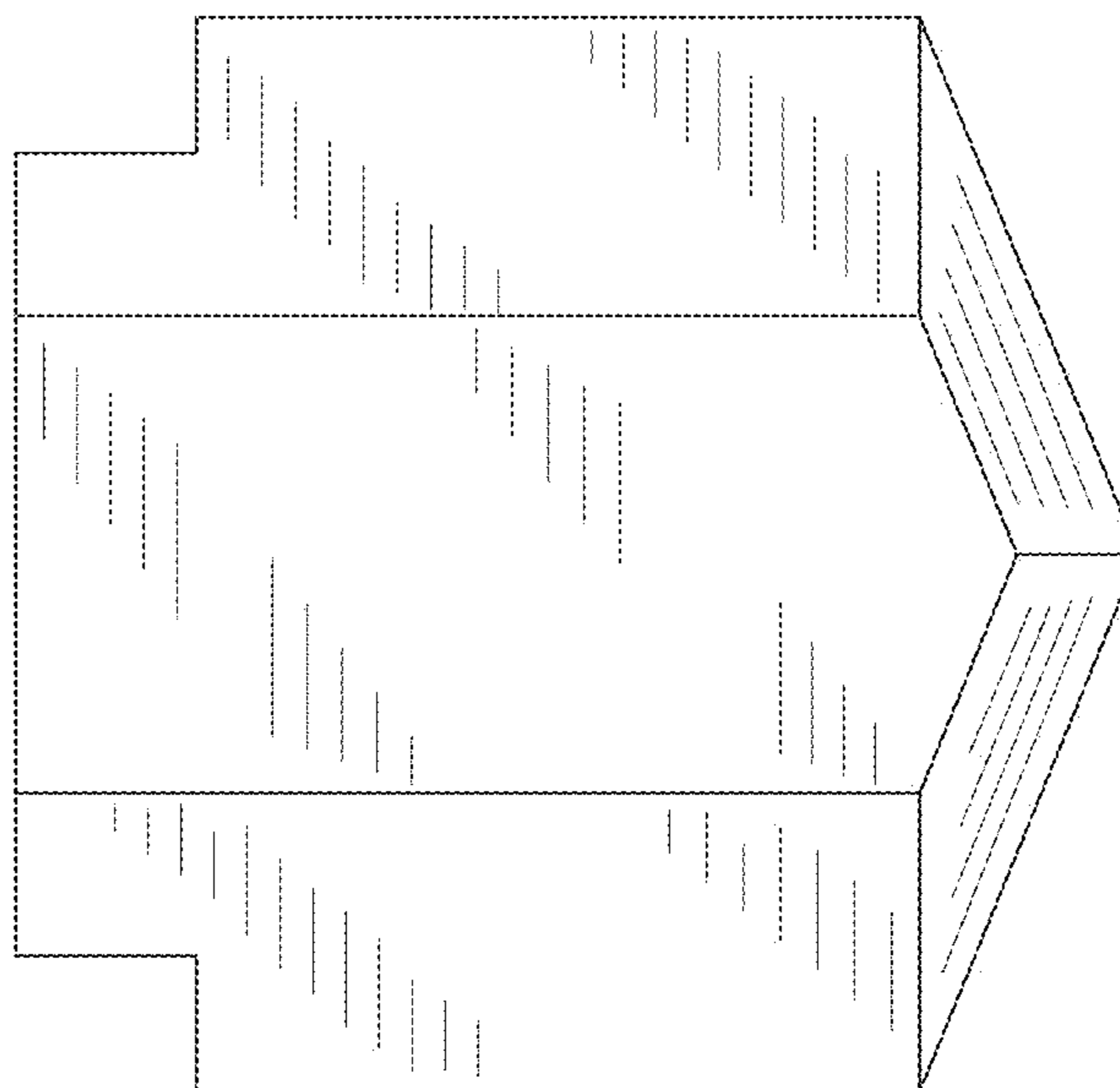


FIG. 15

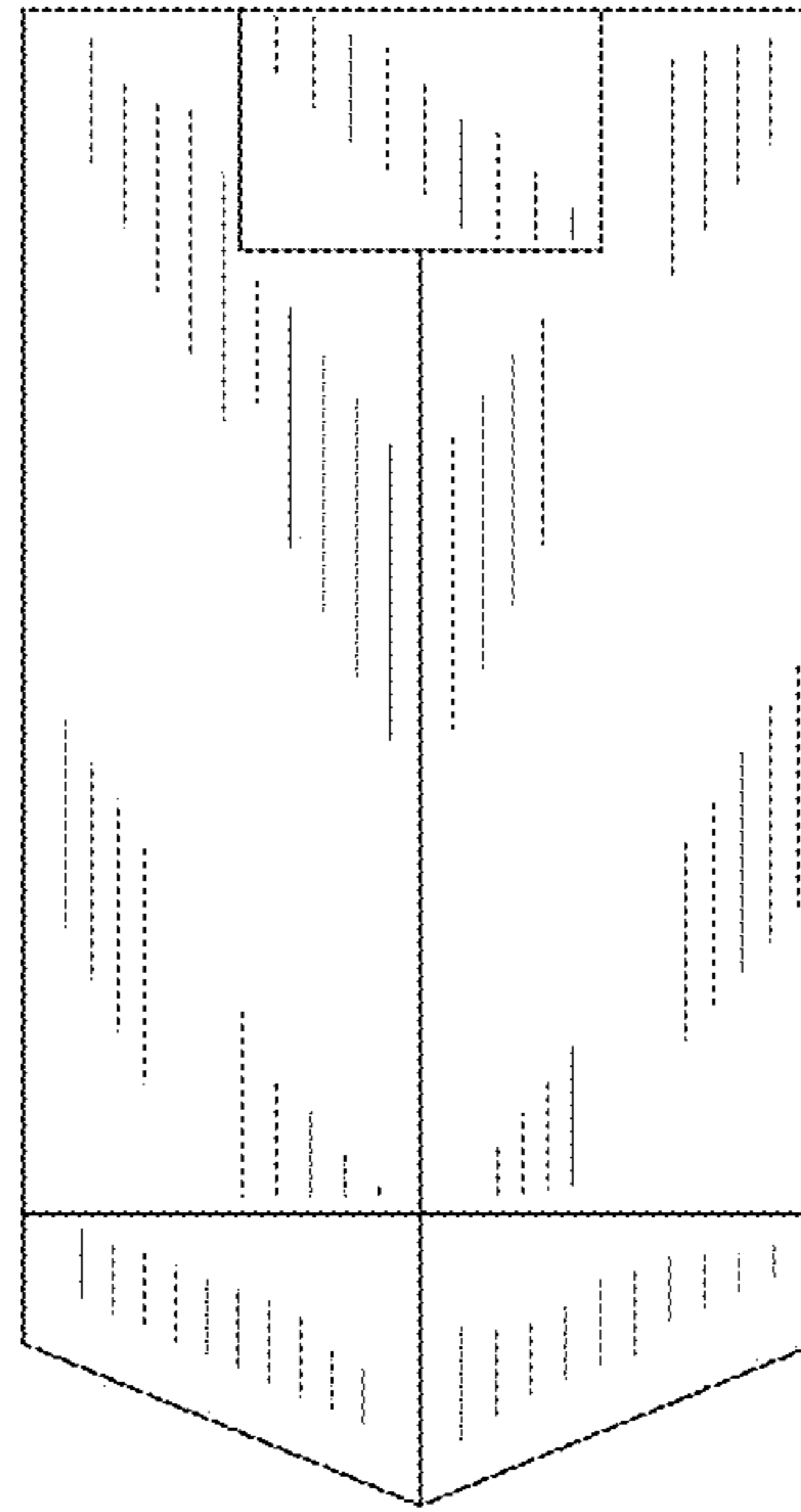


FIG. 16

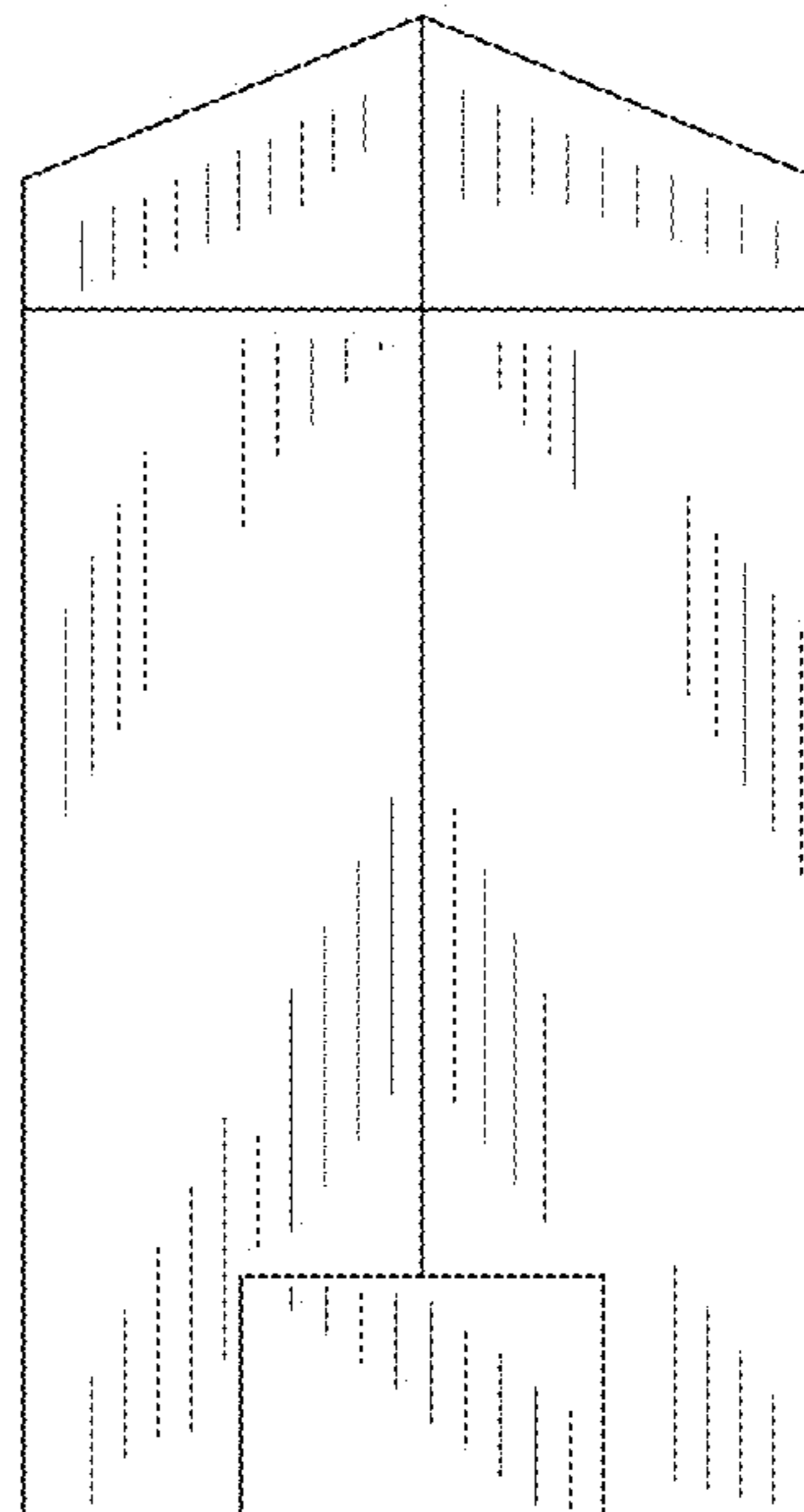


FIG.17

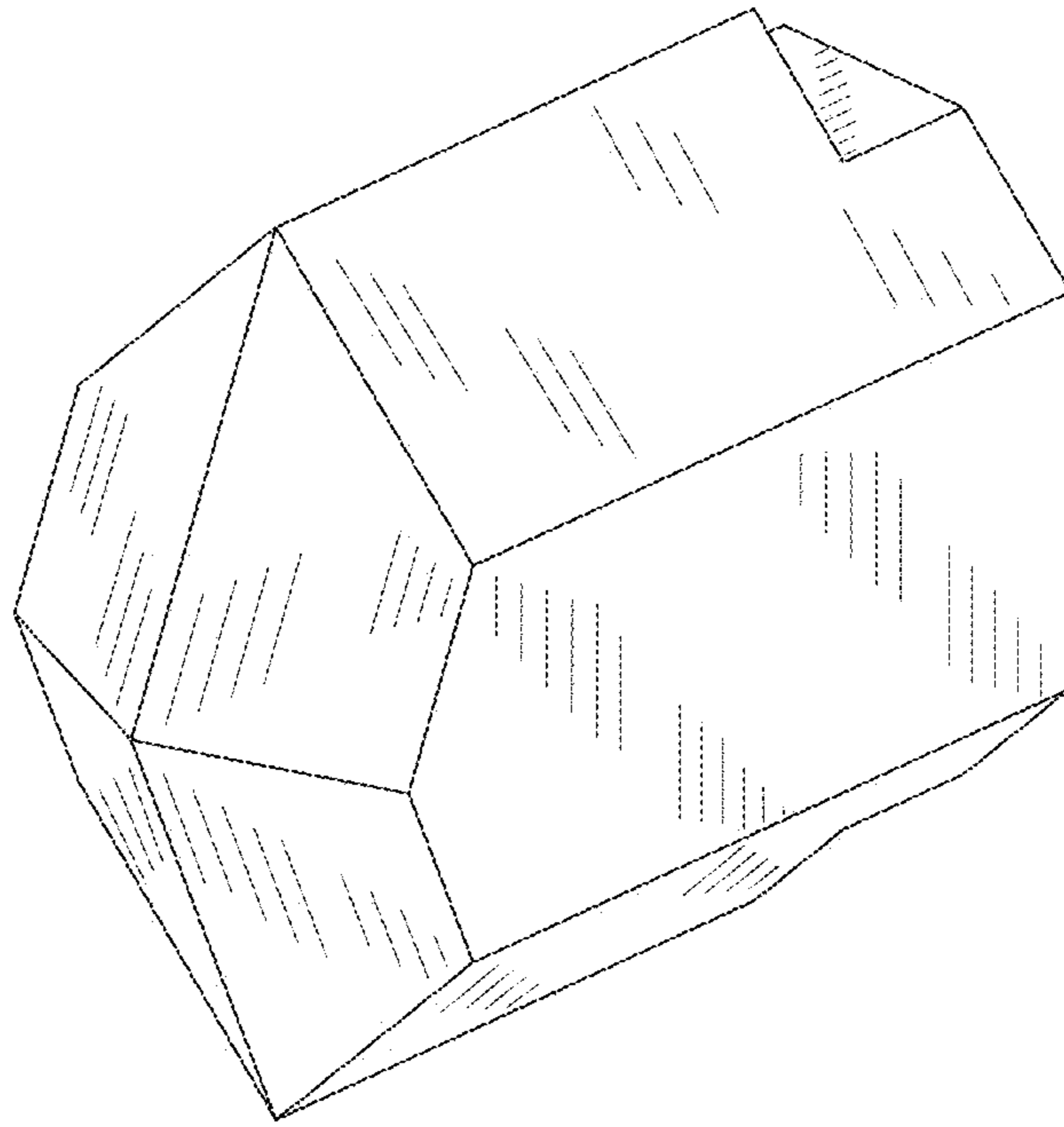


FIG.18

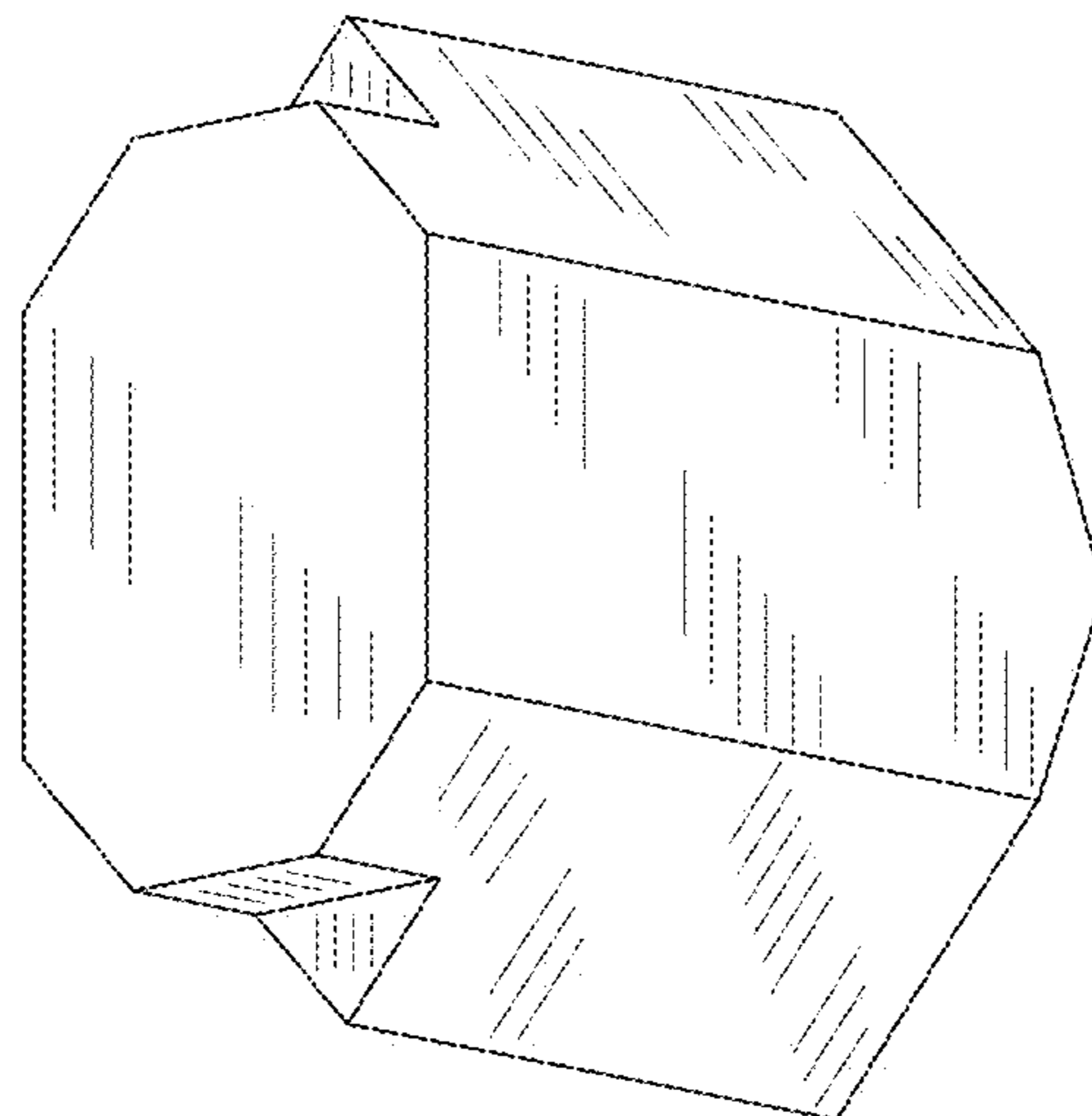


FIG.19

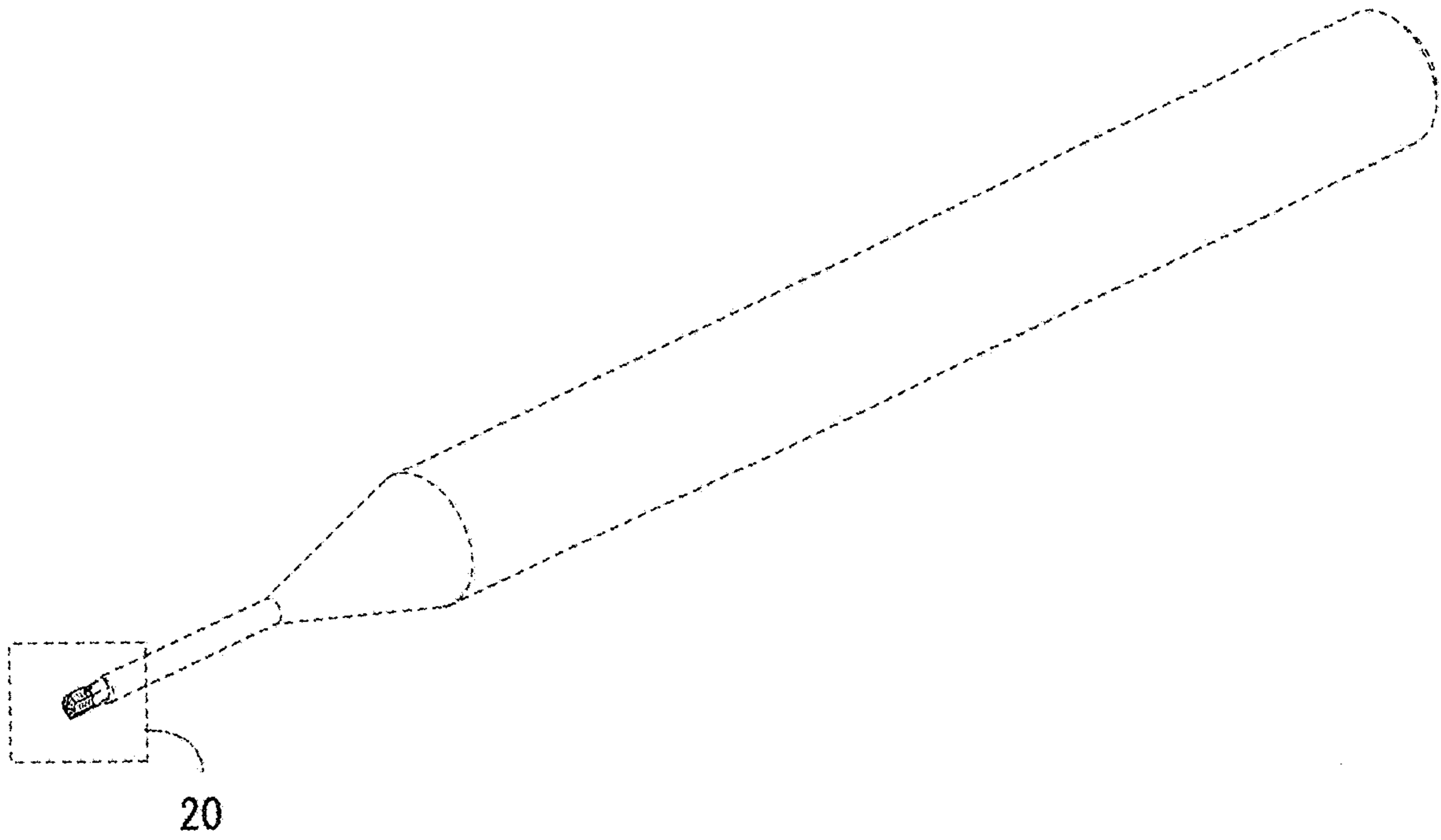


FIG.20

