

US00D966358S

(12) **United States Design Patent**
Giffin

(10) **Patent No.:** **US D966,358 S**

(45) **Date of Patent:** **** Oct. 11, 2022**

(54) **DRILL BIT ADAPTER**

(71) Applicant: **Brian Giffin**, Lummi Island, WA (US)

(72) Inventor: **Brian Giffin**, Lummi Island, WA (US)

(73) Assignee: **Giffin Tec, Inc.**, Lummi Island, WA (US)

(**) Term: **15 Years**

(21) Appl. No.: **29/659,104**

(22) Filed: **Aug. 6, 2018**

(51) **LOC (13) Cl.** **15-09**

(52) **U.S. Cl.**
USPC **D15/139**

(58) **Field of Classification Search**
USPC D8/22, 28, 70; D15/7-9, 138, 139, 199;
D23/231, 232, 225

(Continued)

(56) **References Cited**

U.S. PATENT DOCUMENTS

87,715 A 3/1869 Sible
1,031,914 A 7/1912 Clouse
(Continued)

FOREIGN PATENT DOCUMENTS

DE 889672 9/1953
DE 1552404 12/1969
WO WO-9721512 A1 * 6/1997 B25B 21/007

OTHER PUBLICATIONS

U.S. Appl. No. 15/946,513, filed Apr. 5, 2018, Giffin.
(Continued)

Primary Examiner — Michael C Stout

Assistant Examiner — Fitzgerald L Butac

(74) *Attorney, Agent, or Firm* — Sheridan Ross P.C.

(57) **CLAIM**

The ornamental design for a drill bit adapter, as shown and described.

DESCRIPTION

FIG. 1 is a perspective view of a drill bit adapter according to a first embodiment of the claimed design;

FIG. 2 is a right elevation view of the drill bit adapter of FIG. 1;

FIG. 3 is a left elevation view of the drill bit adapter of FIG. 1;

FIG. 4 is a front elevation view of the drill bit adapter of FIG. 1;

FIG. 5 is a rear elevation view of the drill bit adapter of FIG. 1;

FIG. 6 is a top plan view of the drill bit adapter of FIG. 1;

FIG. 7 is a bottom plan view of the drill bit adapter of FIG. 1;

FIG. 8 is a perspective view of a drill bit adapter according to a second embodiment of the claimed design;

FIG. 9 is a right elevation view of the drill bit adapter of FIG. 8;

FIG. 10 is a left elevation view of the drill bit adapter of FIG. 8;

FIG. 11 is a front elevation view of the drill bit adapter of FIG. 8;

FIG. 12 is a rear elevation view of the drill bit adapter of FIG. 8;

FIG. 13 is a top plan view of the drill bit adapter of FIG. 8;

FIG. 14 is a bottom plan view of the drill bit adapter of FIG. 8;

FIG. 15 is a perspective view of a drill bit adapter according to a third embodiment of the claimed design;

FIG. 16 is a right elevation view of the drill bit adapter of FIG. 15;

FIG. 17 is a left elevation view of the drill bit adapter of FIG. 15;

FIG. 18 is a front elevation view of the drill bit adapter of FIG. 15;

FIG. 19 is a rear elevation view of the drill bit adapter of FIG. 15;

FIG. 20 is a top plan view of the drill bit adapter of FIG. 15;
and,

(Continued)

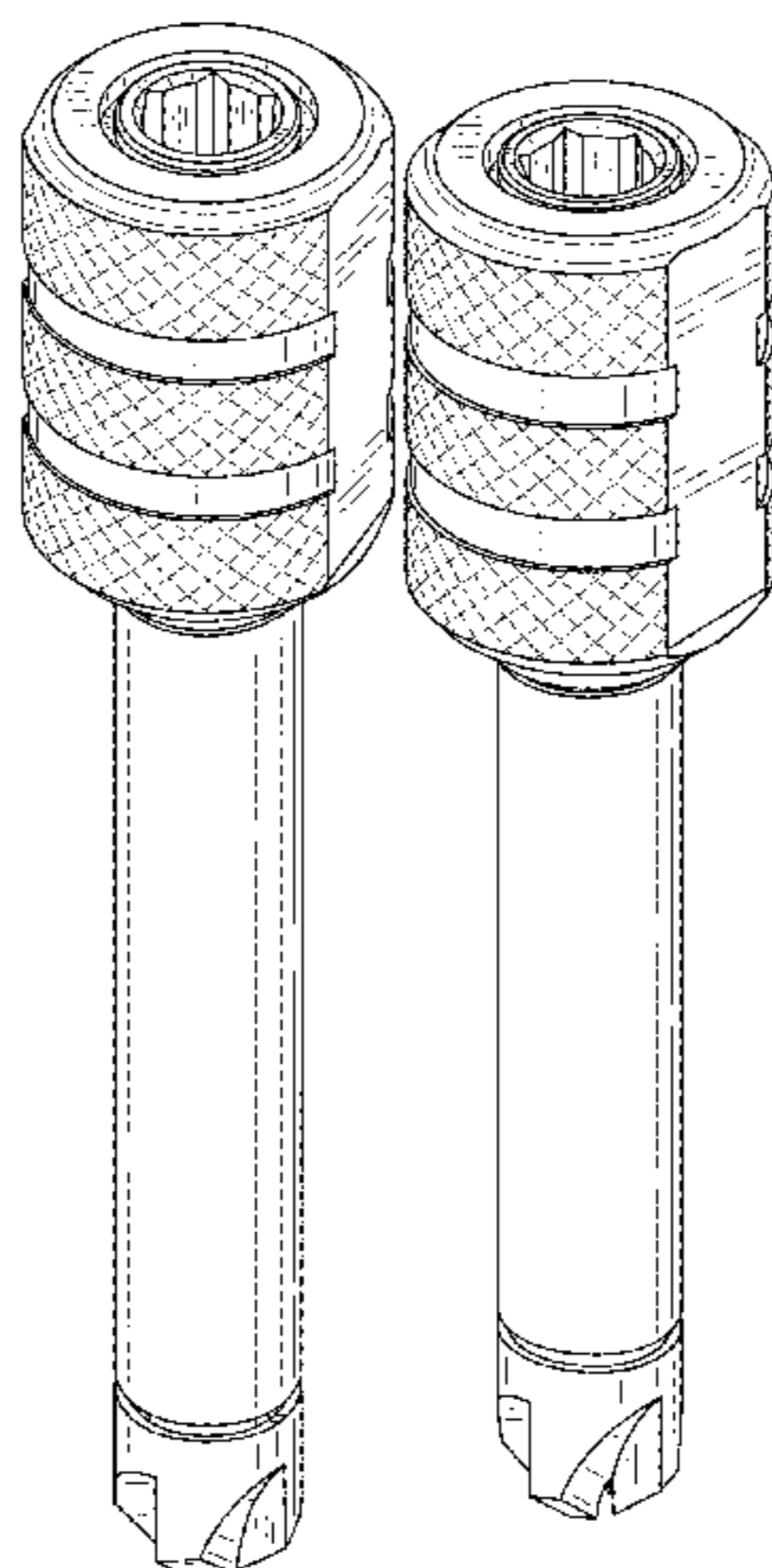


FIG. 21 is a bottom plan view of the drill bit adapter of FIG. 15.

The broken lines show portions of a drill bit adapter which from no part of the claimed design.

1 Claim, 18 Drawing Sheets

(58) **Field of Classification Search**

CPC ... B23Q 3/12; Y10S 279/901; Y10S 279/905;
Y10T 279/17094

See application file for complete search history.

(56) **References Cited**

U.S. PATENT DOCUMENTS

1,138,465	A	5/1915	Fegley et al.	
2,166,559	A	7/1939	Richard	
2,580,930	A	1/1952	Kost	
3,756,737	A	9/1973	Smith	
3,932,904	A	1/1976	Nilsson et al.	
D271,206	S *	11/1983	Devey	D15/138
4,413,937	A	11/1983	Gutsche	
4,629,375	A	12/1986	Lieser	
4,710,079	A	12/1987	Smith et al.	
D330,900	S *	11/1992	Wakegijig	D15/138
5,284,069	A	2/1994	Wellman	
D349,603	S	8/1994	Doerksen	
5,722,805	A *	3/1998	Giffin	B25B 21/007 279/102
5,826,762	A	10/1998	Dellinger	
6,053,675	A	4/2000	Holland et al.	
6,354,177	B2	3/2002	Peters	
6,860,489	B2	3/2005	Chen	
6,929,266	B2	8/2005	Peters et al.	
D525,634	S *	7/2006	Kotala	D15/132
D533,343	S	12/2006	Gringer	

7,250,023	B2	7/2007	Bai	
D555,354	S	11/2007	Chen	
D580,960	S *	11/2008	Yamaguchi	D15/144
D588,800	S	3/2009	Cicione	
D656,612	S *	3/2012	Garcia	D24/145
D658,481	S *	5/2012	Pratt	D8/349
D673,193	S *	12/2012	Dickrede	D15/139
D682,317	S *	5/2013	Carruth	D15/7
D692,231	S	10/2013	Moreau et al.	
D726,792	S *	4/2015	Velozny	D15/139
9,156,147	B2	10/2015	Peters et al.	
9,873,155	B1	1/2018	Wienhold	
D812,900	S	3/2018	Votel et al.	
D823,089	S *	7/2018	Shikama	D8/70
D833,490	S *	11/2018	Defougeres	D15/139
D854,062	S *	7/2019	Kaeser	D15/139
D857,772	S *	8/2019	van den Boogaart	D15/139
D858,596	S *	9/2019	Major	D15/139
D877,218	S *	3/2020	Wu	D15/139
D878,438	S *	3/2020	Bono	D15/139
D894,978	S *	9/2020	Misumi	D15/139
D900,893	S *	11/2020	English	D15/139
D921,722	S *	6/2021	Corbit	D15/139
2007/0152408	A1	7/2007	Peters	
2009/0145789	A1	6/2009	Panosian et al.	
2015/0183161	A1 *	7/2015	Molinari	B29C 64/118 425/375
2015/0190967	A1 *	7/2015	Stava	B33Y 30/00 427/256
2015/0217434	A1	8/2015	Funk et al.	
2015/0336246	A1	11/2015	Peters et al.	
2018/0290214	A1 *	10/2018	Giffin	B25B 23/0035

OTHER PUBLICATIONS

U.S. Appl. No. 29/659,105, filed Aug. 6, 2018, Giffin.
International Search Report for International (PCT) Application No.
PCT/US1996/19042, dated Jan. 31, 1997, 1 page.

* cited by examiner

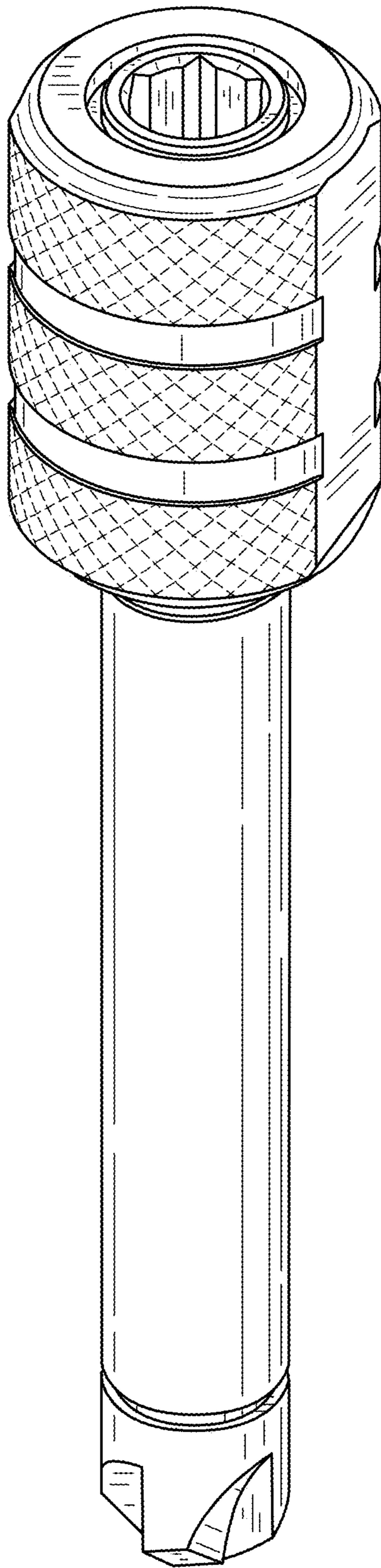


FIG.1

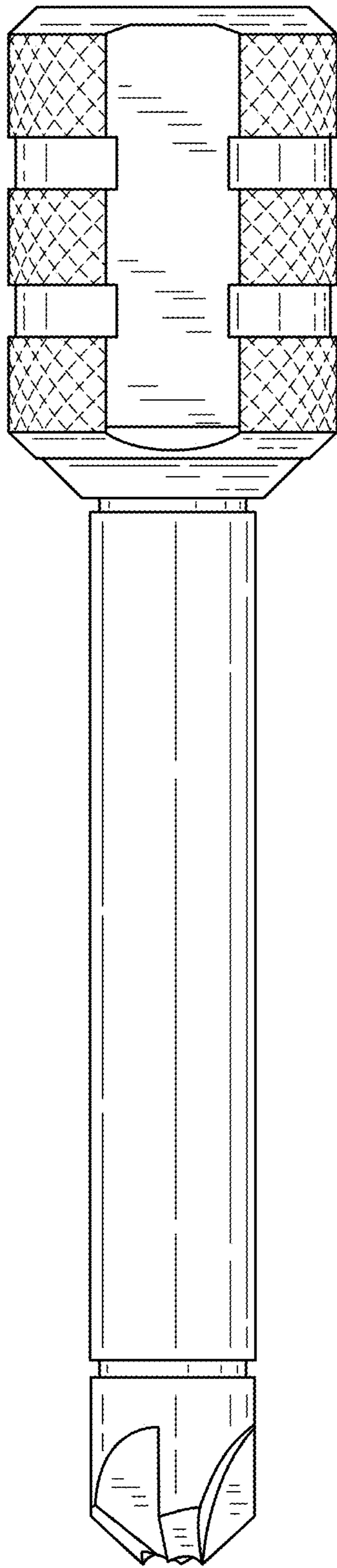


FIG.2

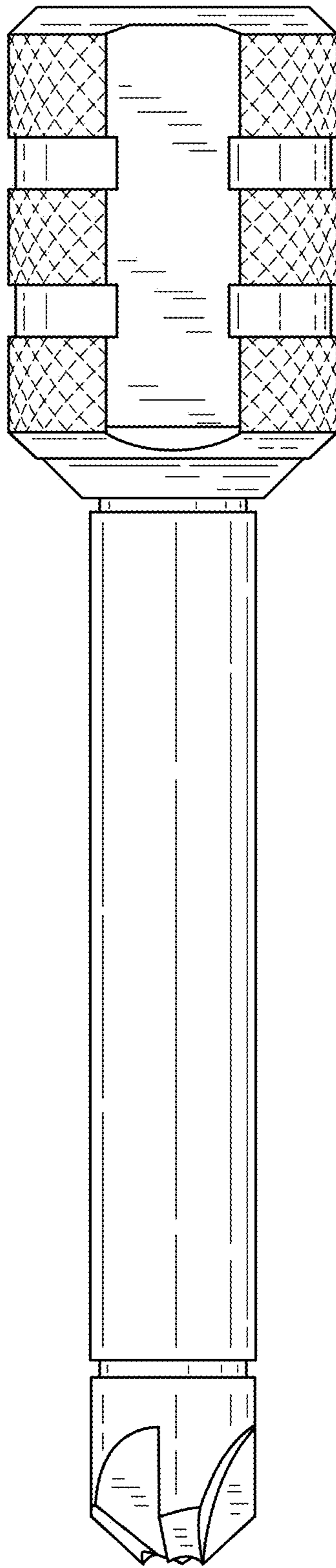


FIG.3

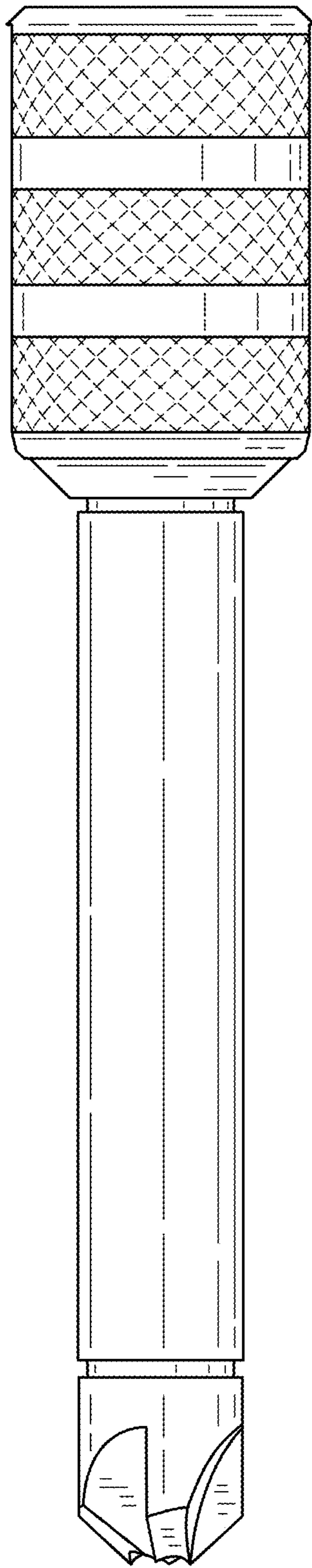


FIG.4

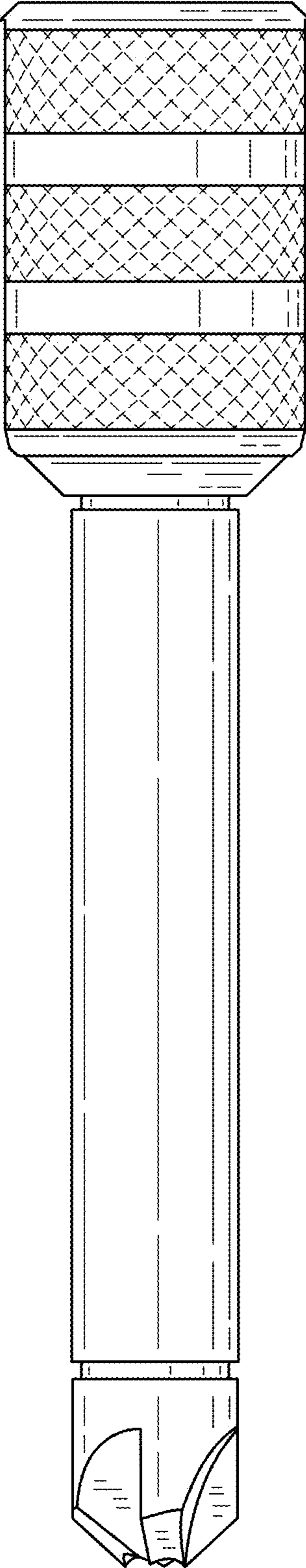


FIG.5

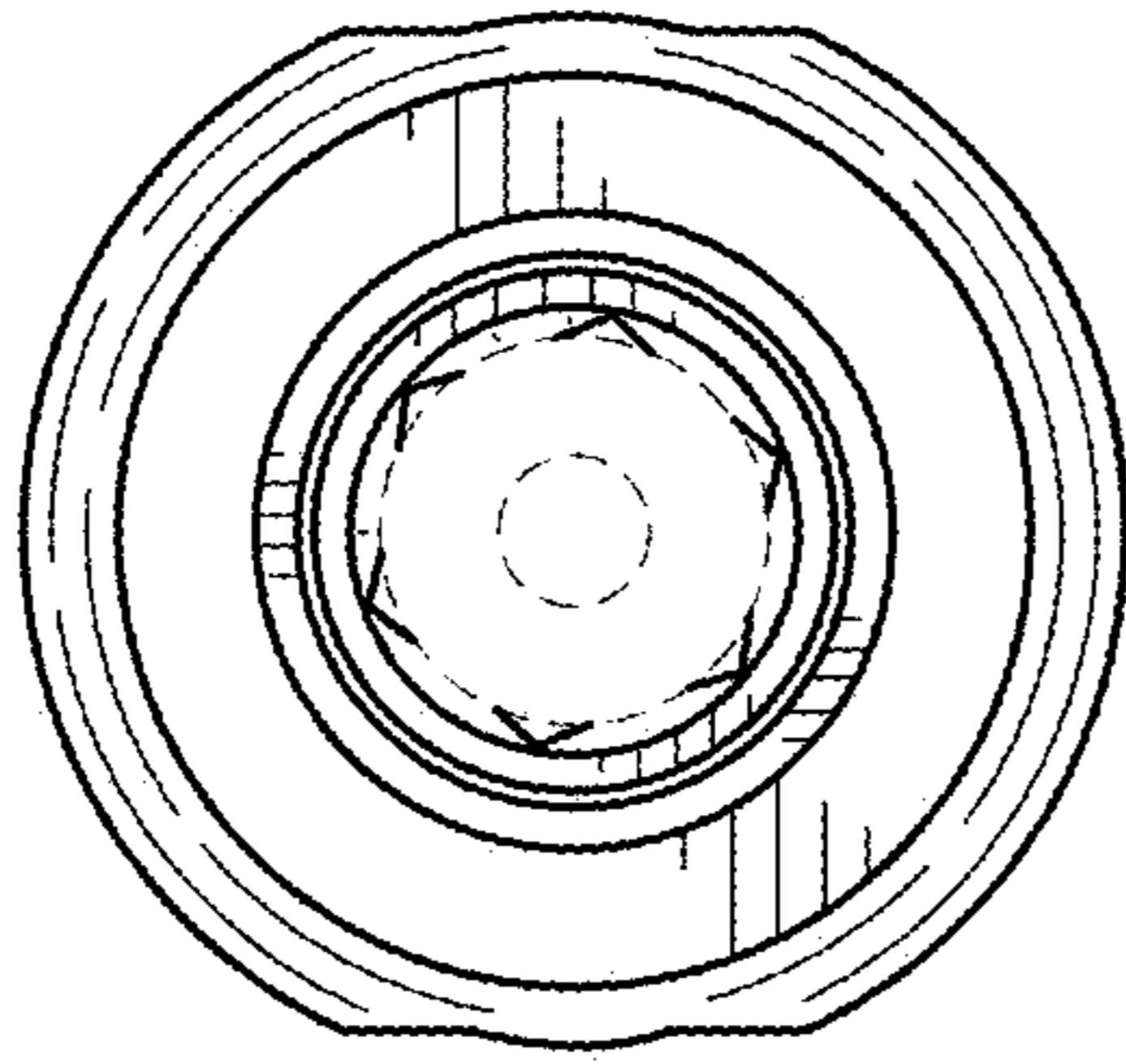


FIG. 6

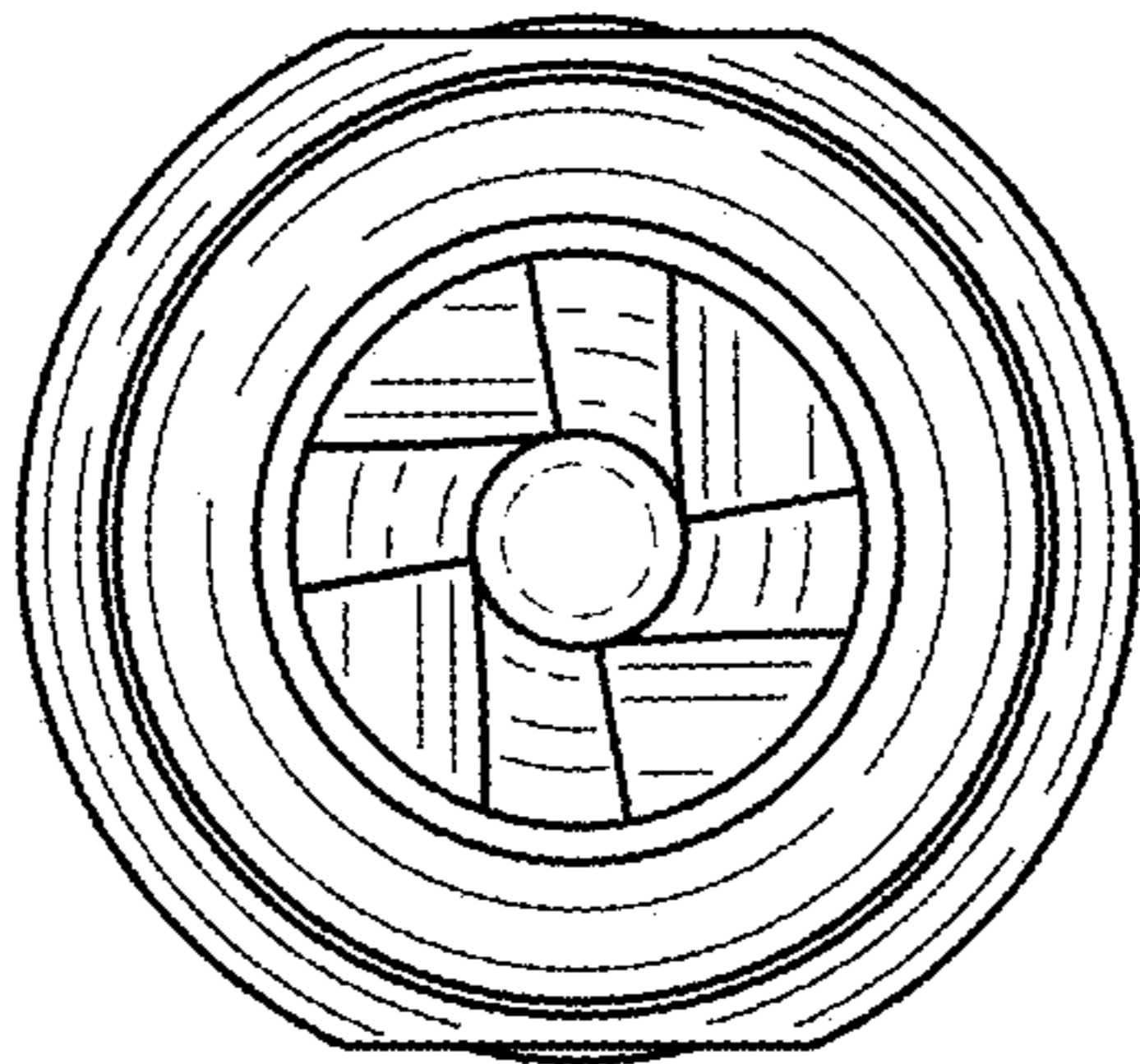


FIG. 7

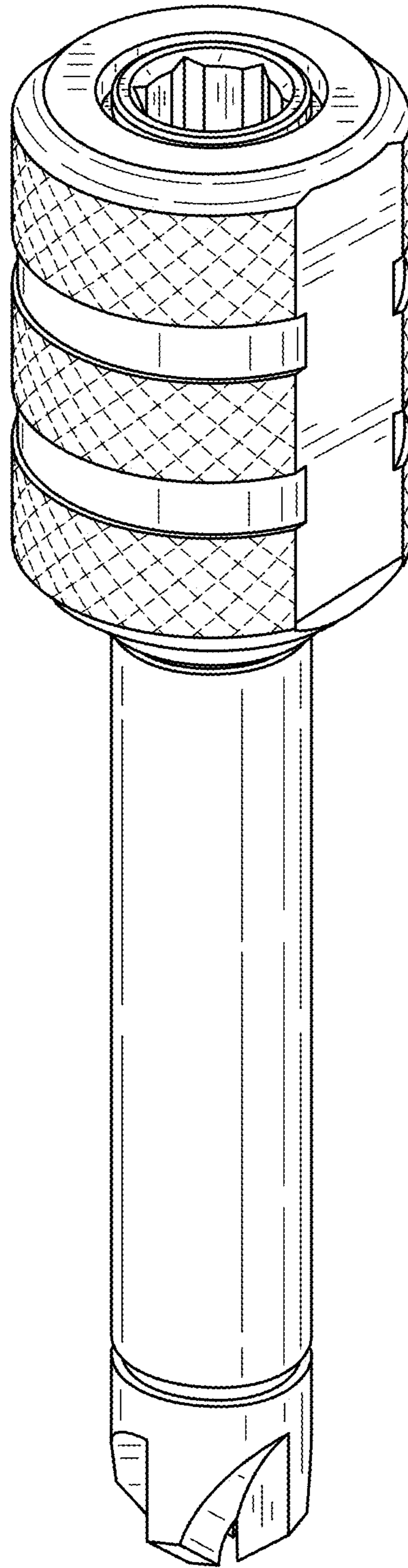


FIG.8

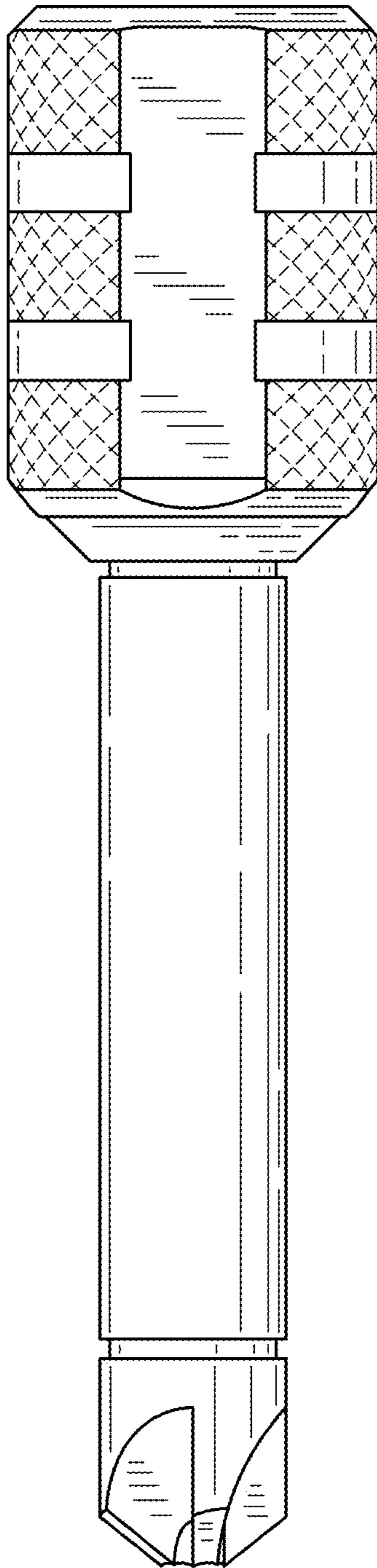


FIG.9

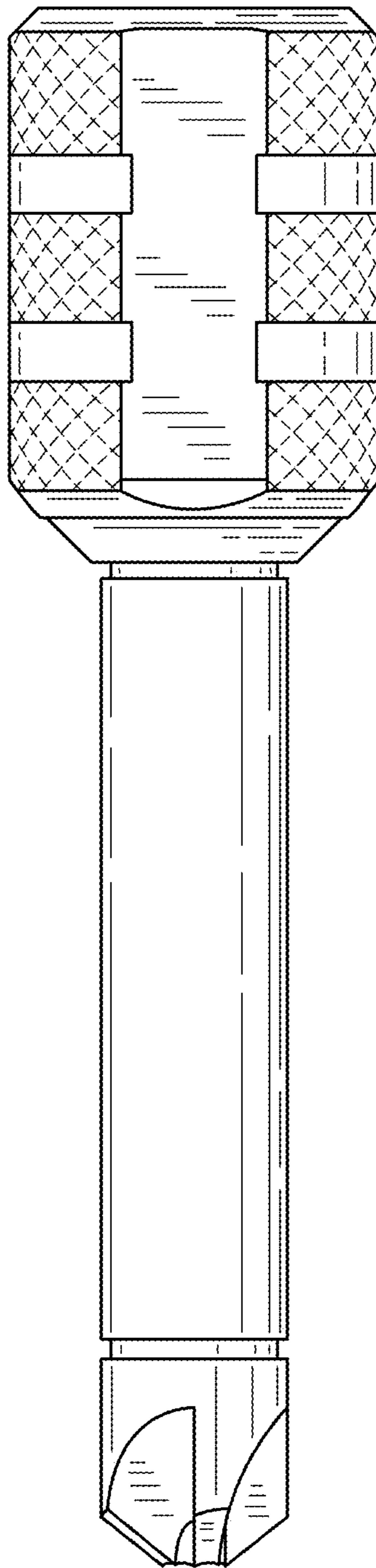


FIG. 10

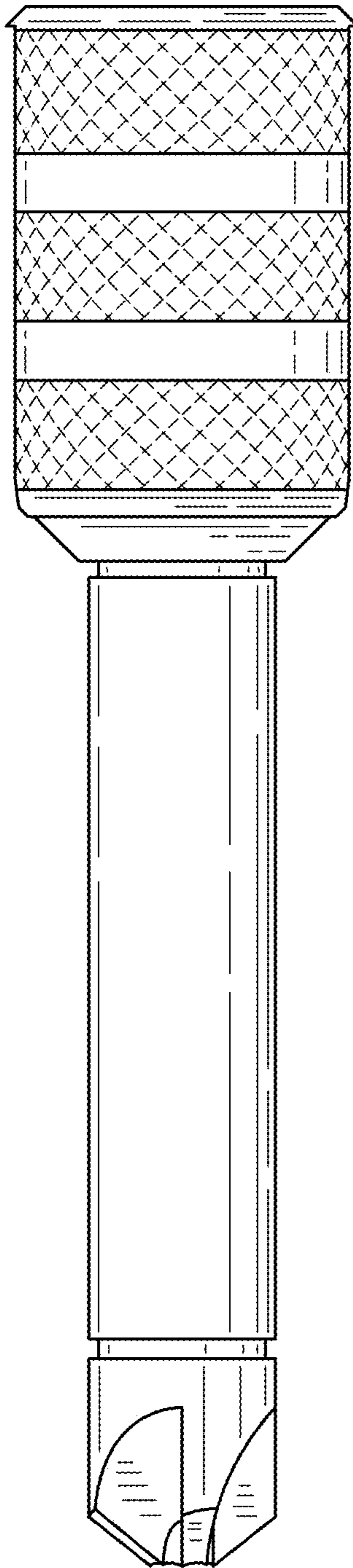


FIG.11

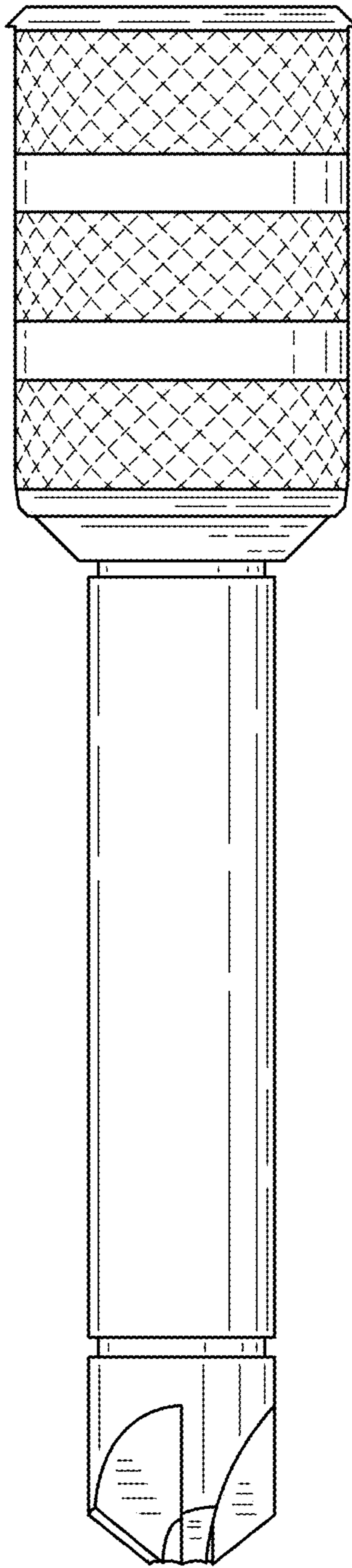


FIG.12

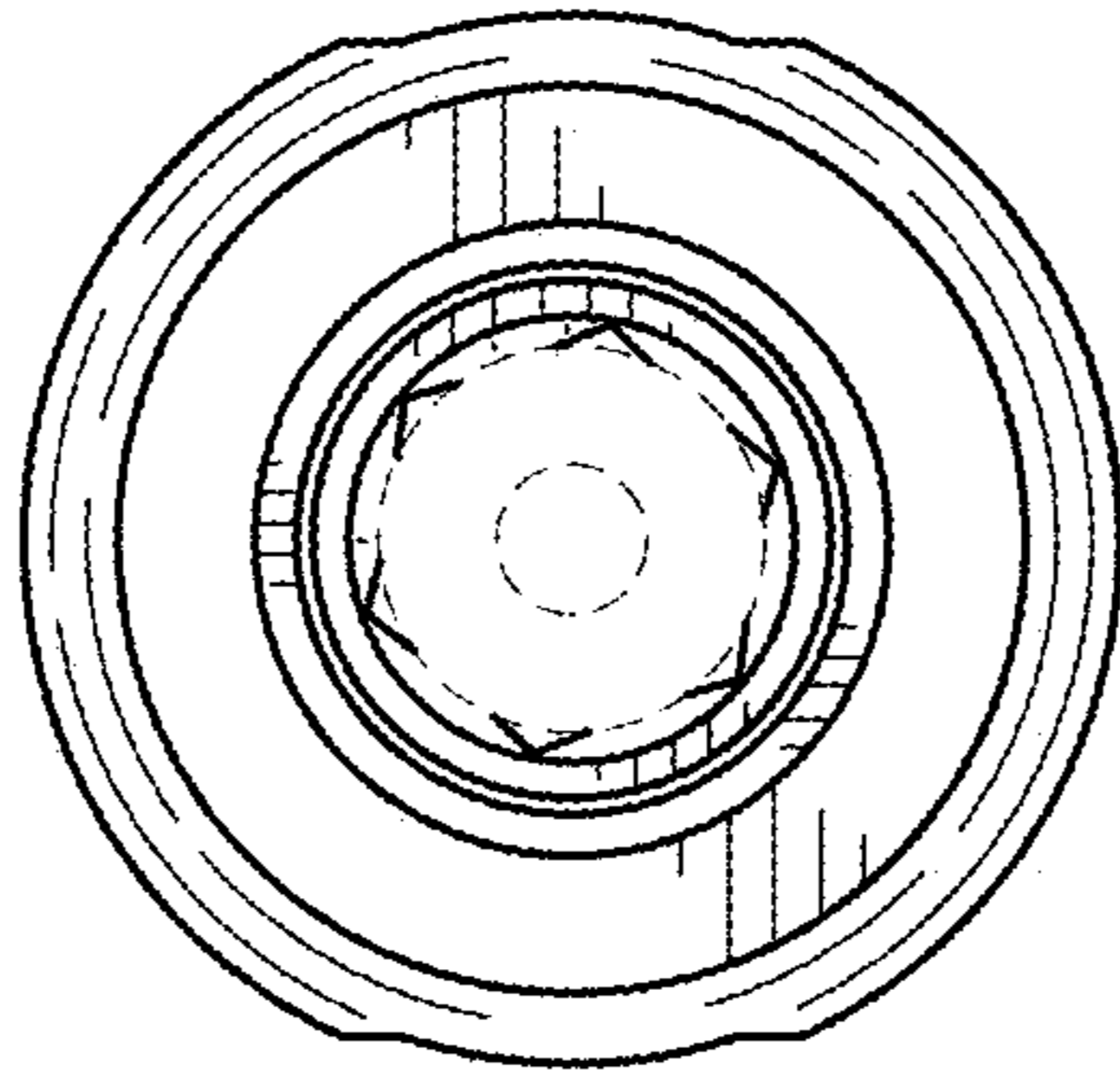


FIG. 13

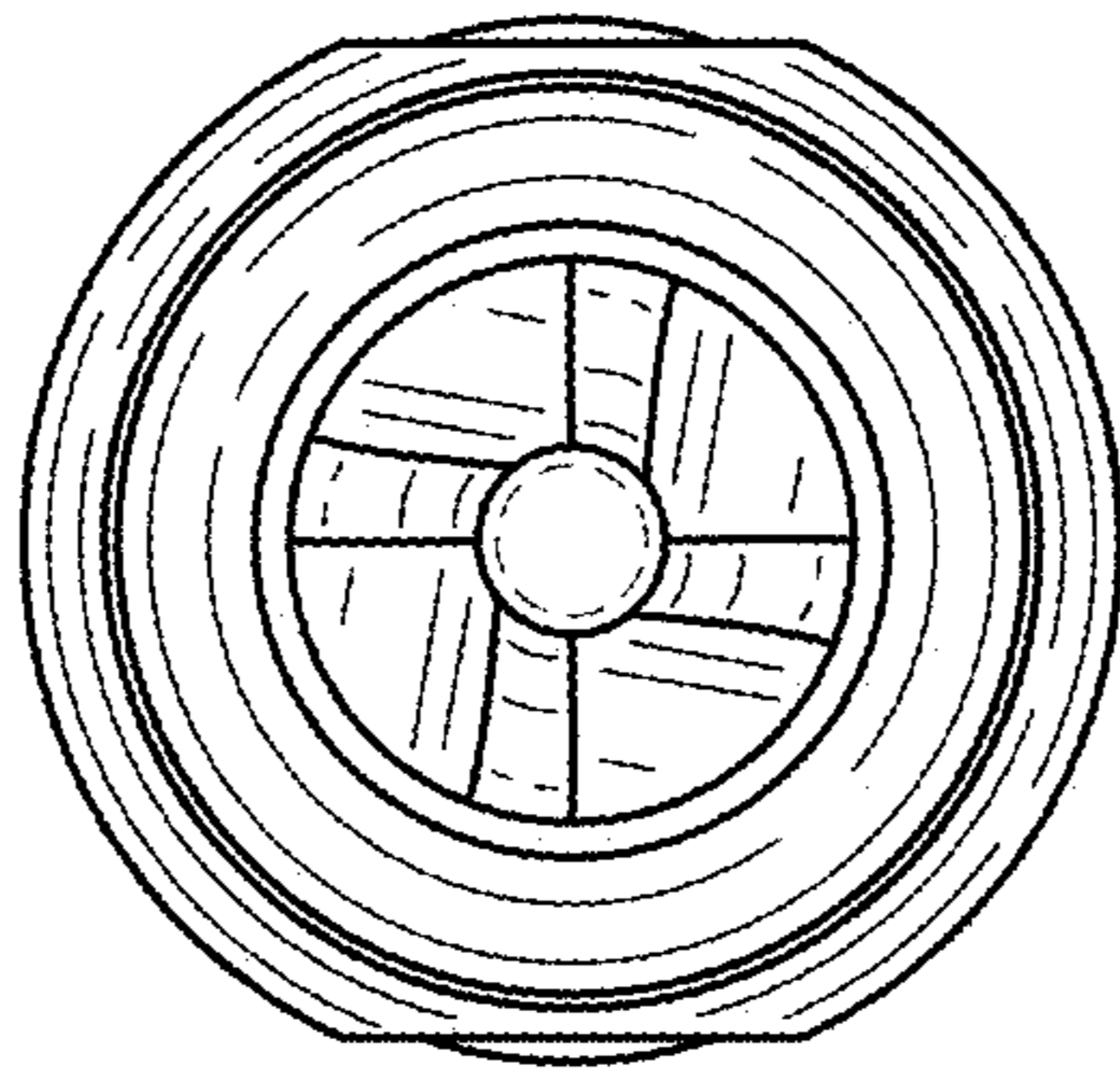


FIG. 14

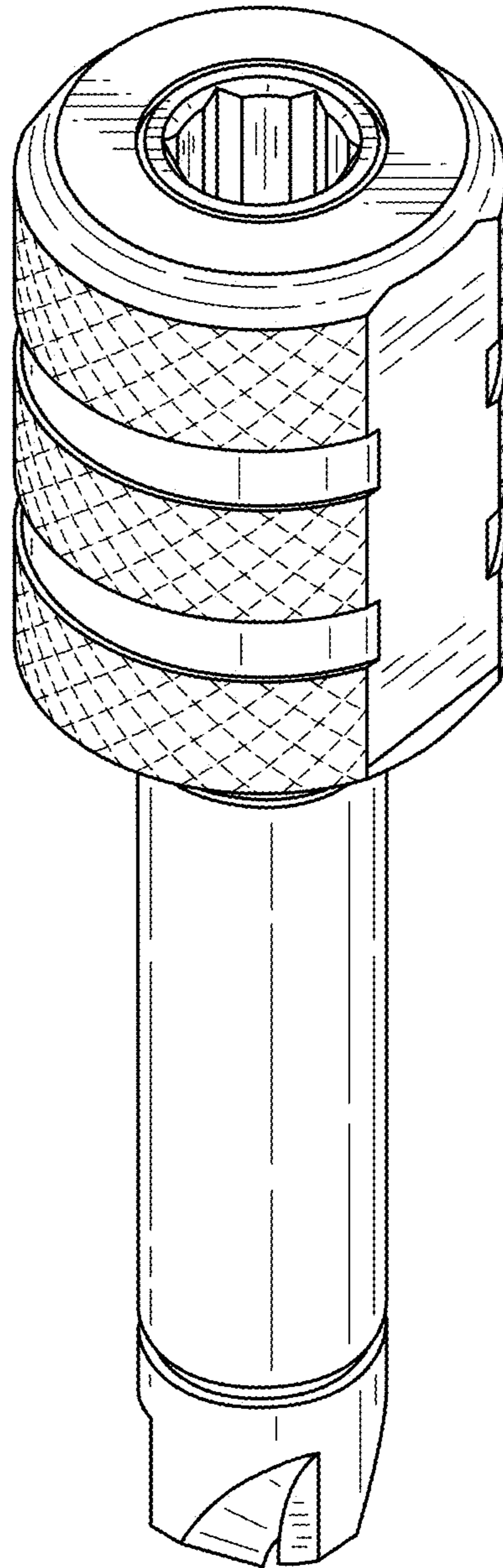


FIG.15

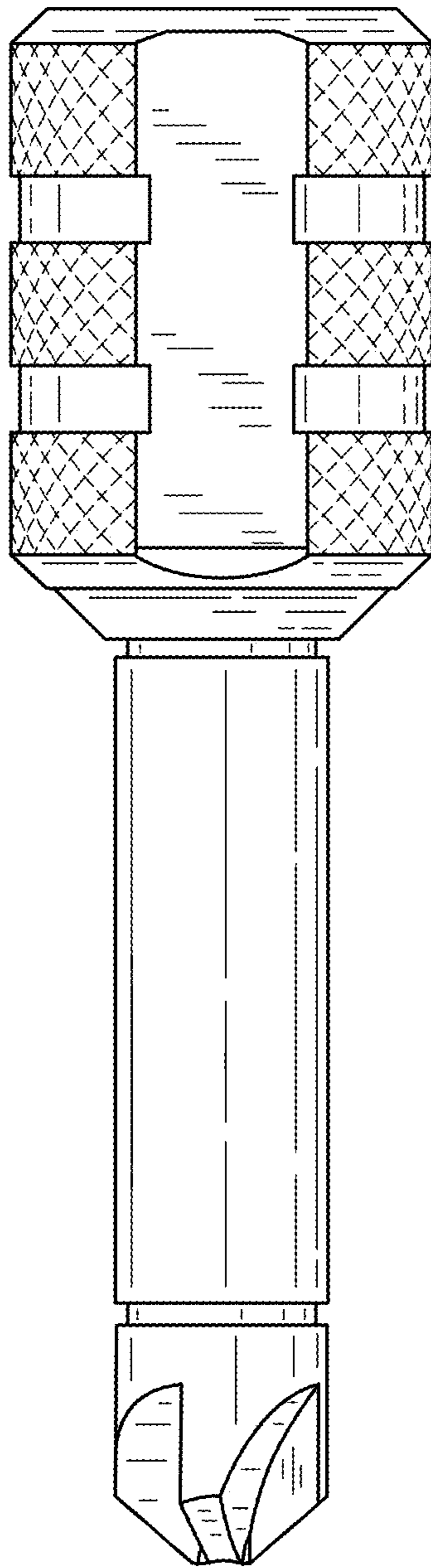


FIG. 16

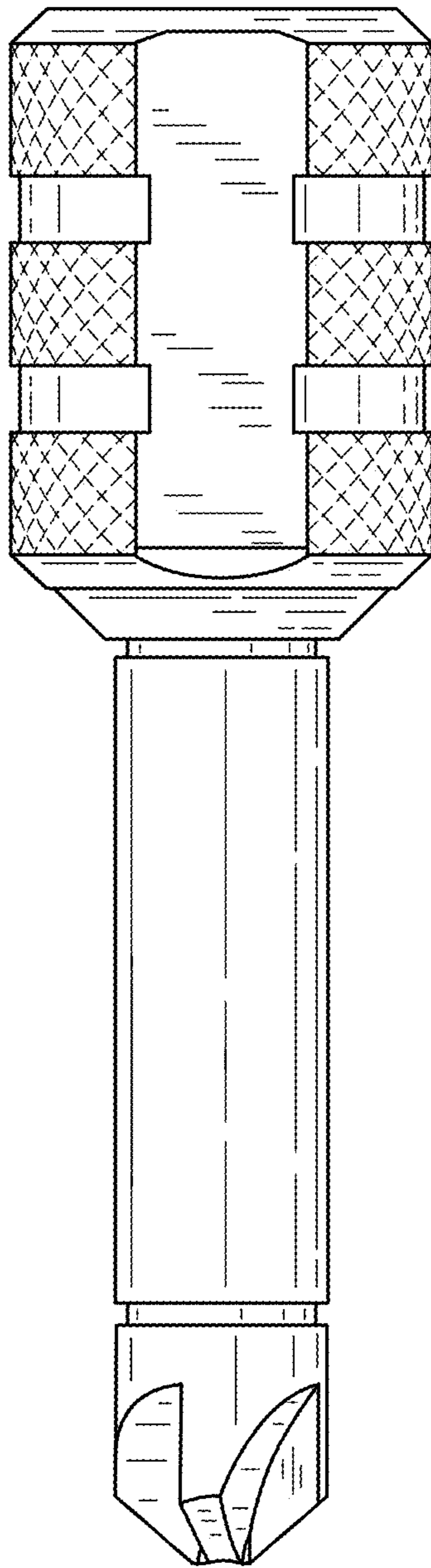


FIG.17

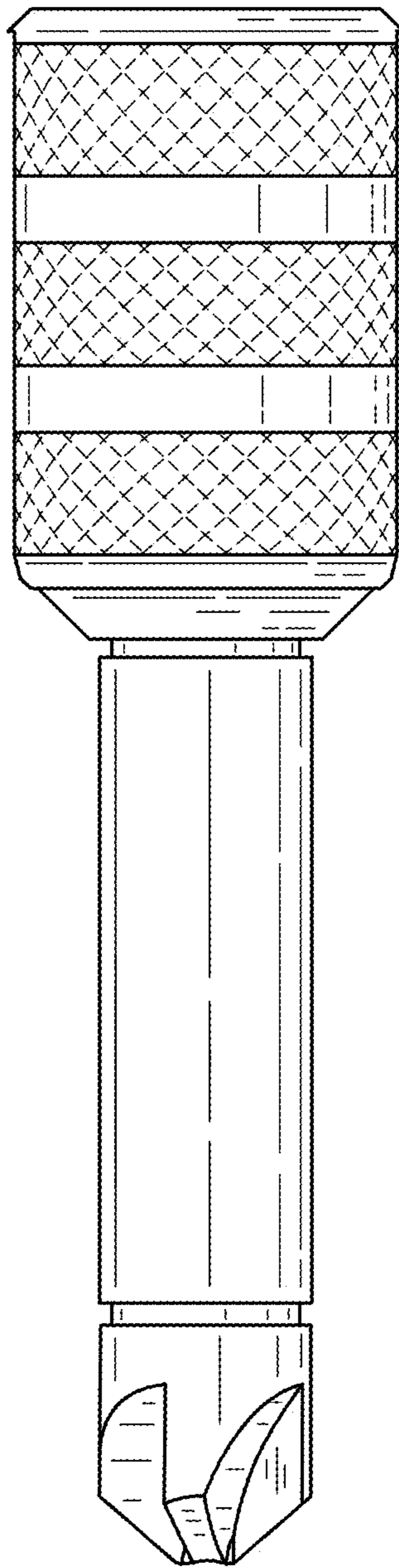


FIG. 18

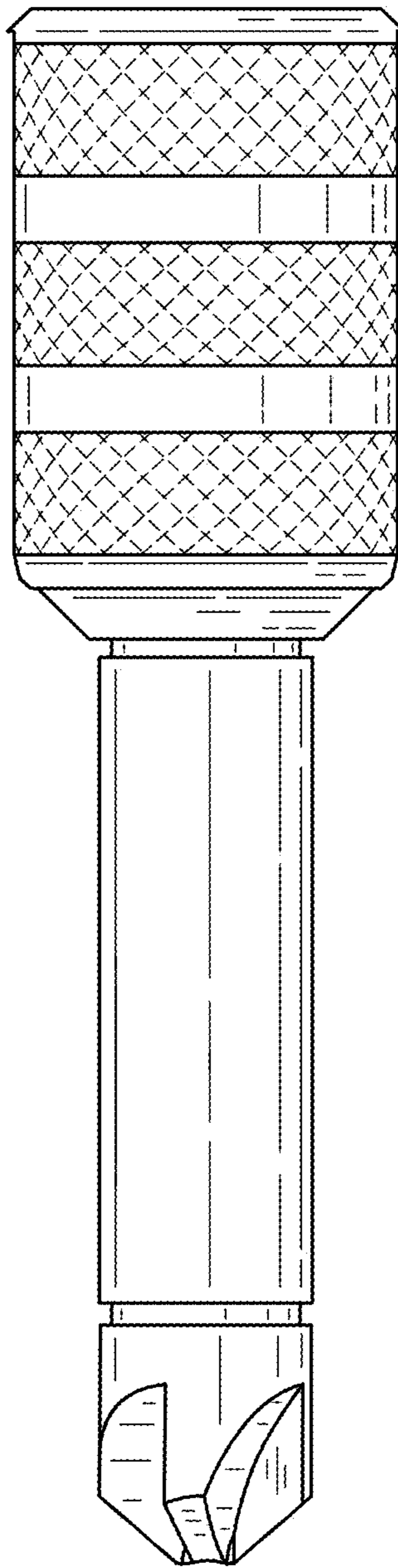


FIG.19

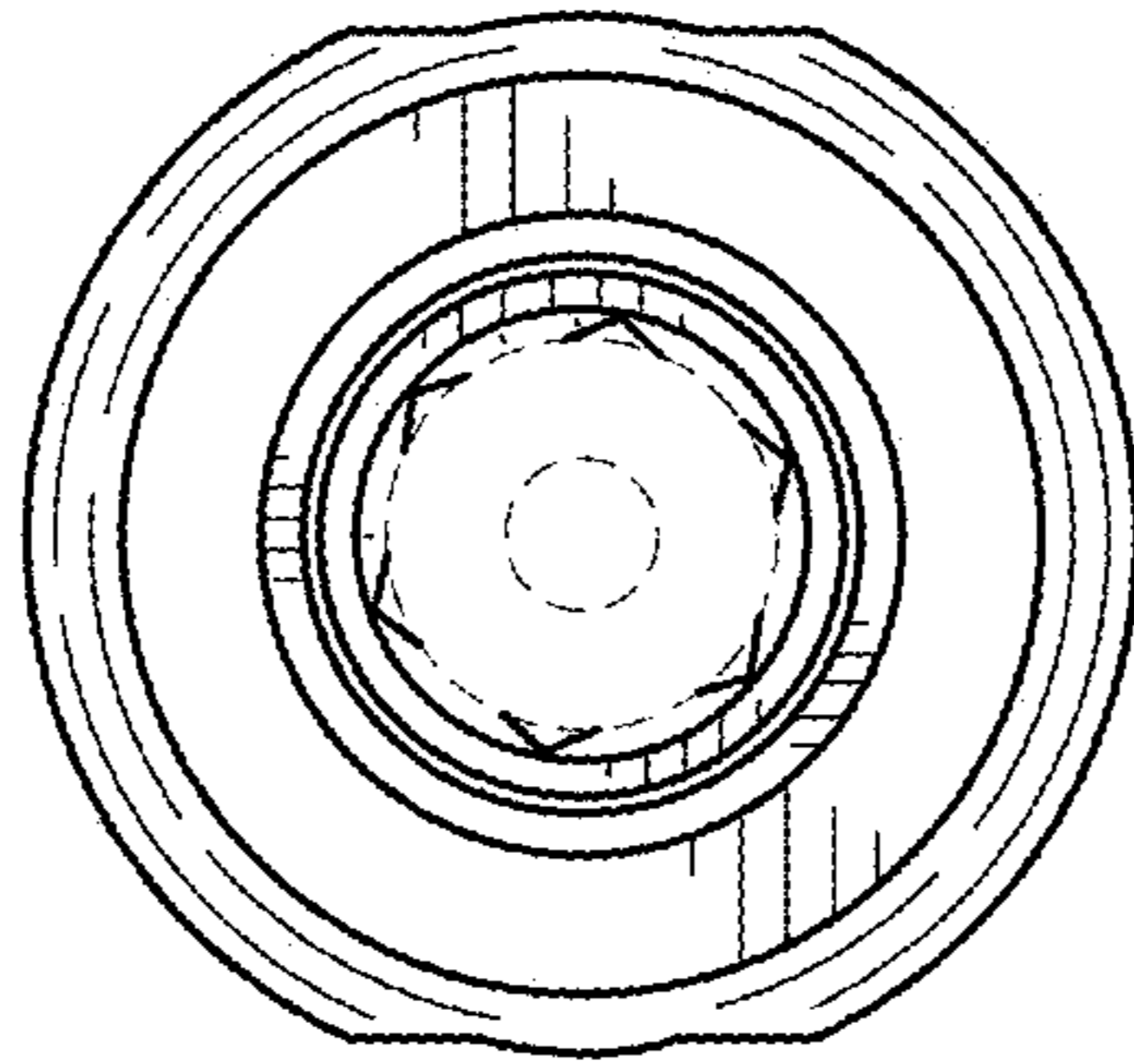


FIG.20

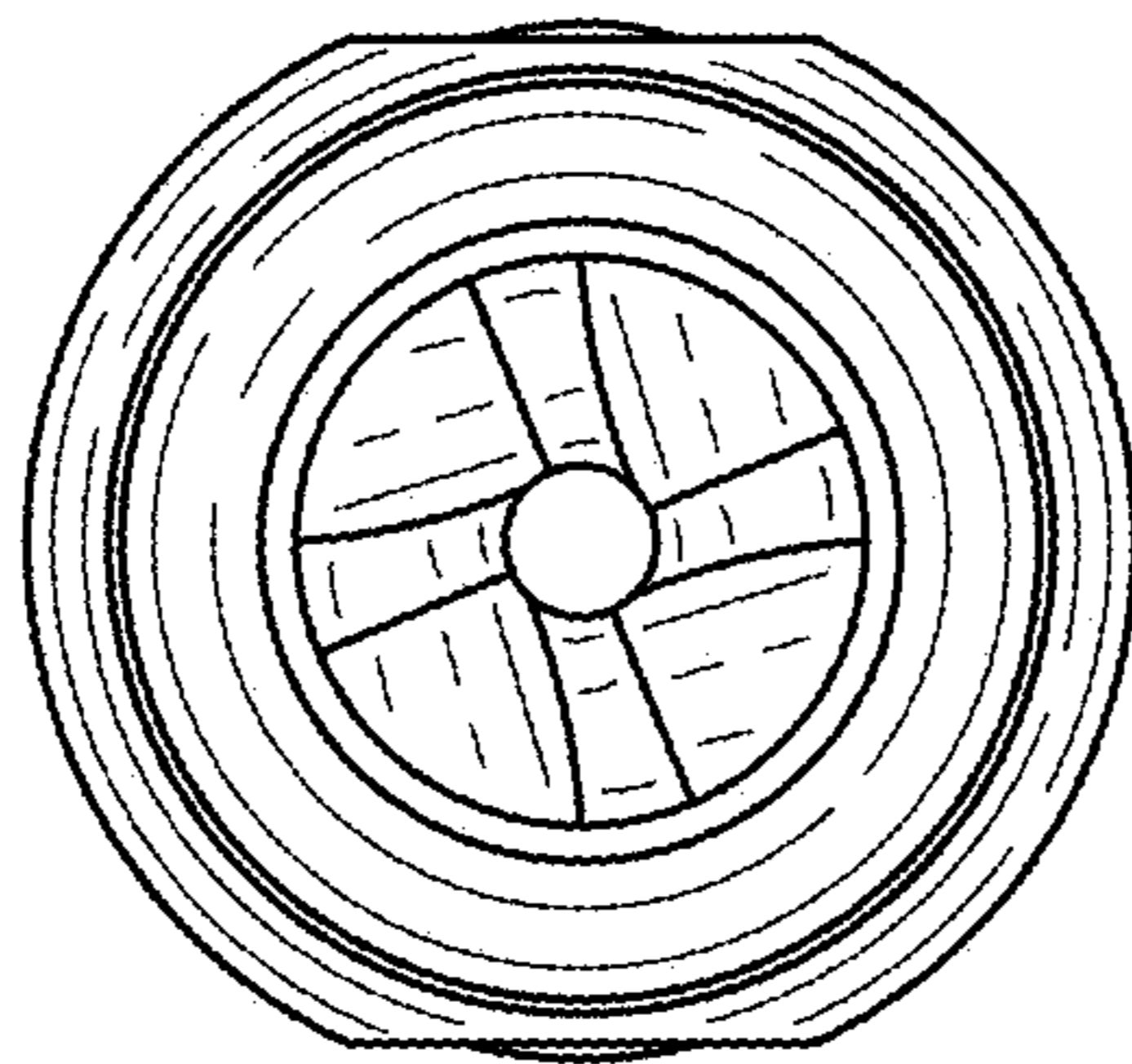


FIG.21