

US00D966354S

(12) **United States Design Patent** (10) **Patent No.:** **US D966,354 S**
Martinez Avila et al. (45) **Date of Patent:** **** Oct. 11, 2022**

(54) **BIOPRINTER ASSEMBLY**
 (71) Applicant: **Cellink AB**, Gothenburg (SE)
 (72) Inventors: **Hector Daniel Martinez Avila**,
 Gothenburg (SE); **Erik Gatenholm**,
 Gothenburg (SE); **Anton Andrén**,
 Mölndal (SE); **Sebastian Persson**,
 Gothenburg (SE)

D861,748 S * 10/2019 Chen D15/122
 D884,708 S * 5/2020 Eom D16/221
 D886,167 S * 6/2020 Wang D15/122
 D900,892 S * 11/2020 Zhang D15/122
 D924,281 S * 7/2021 Zhang D15/122
 D926,236 S * 7/2021 Zhang D15/122
 D928,854 S * 8/2021 Zhang D15/122

* cited by examiner

Primary Examiner — Patricia A Palasik

(73) Assignee: **Cellink AB**, Gothenburg (SE)

(74) *Attorney, Agent, or Firm* — Knobbe, Martens, Olson & Bear, LLP

(**) Term: **15 Years**

(57) **CLAIM**

(21) Appl. No.: **29/730,390**

The ornamental design for a bioprinter assembly, as shown and described.

(22) Filed: **Apr. 3, 2020**

DESCRIPTION

(30) **Foreign Application Priority Data**

Oct. 4, 2019 (EM) 006974325

(51) **LOC (13) Cl.** **15-09**

(52) **U.S. Cl.**
USPC **D15/122**

(58) **Field of Classification Search**
USPC D14/301, 303, 420–425, 462–470;
D15/122, 135, 138; D18/6, 7, 35, 46–50,
D18/54, 54.1, 55, 56, 57, 59; D34/1, 6,
D34/7, 8, 11

CPC B28B 1/001; B29C 64/00; B29C 64/20;
B29C 64/124; B29C 64/153; B29C
67/0051; B33Y 30/00

See application file for complete search history.

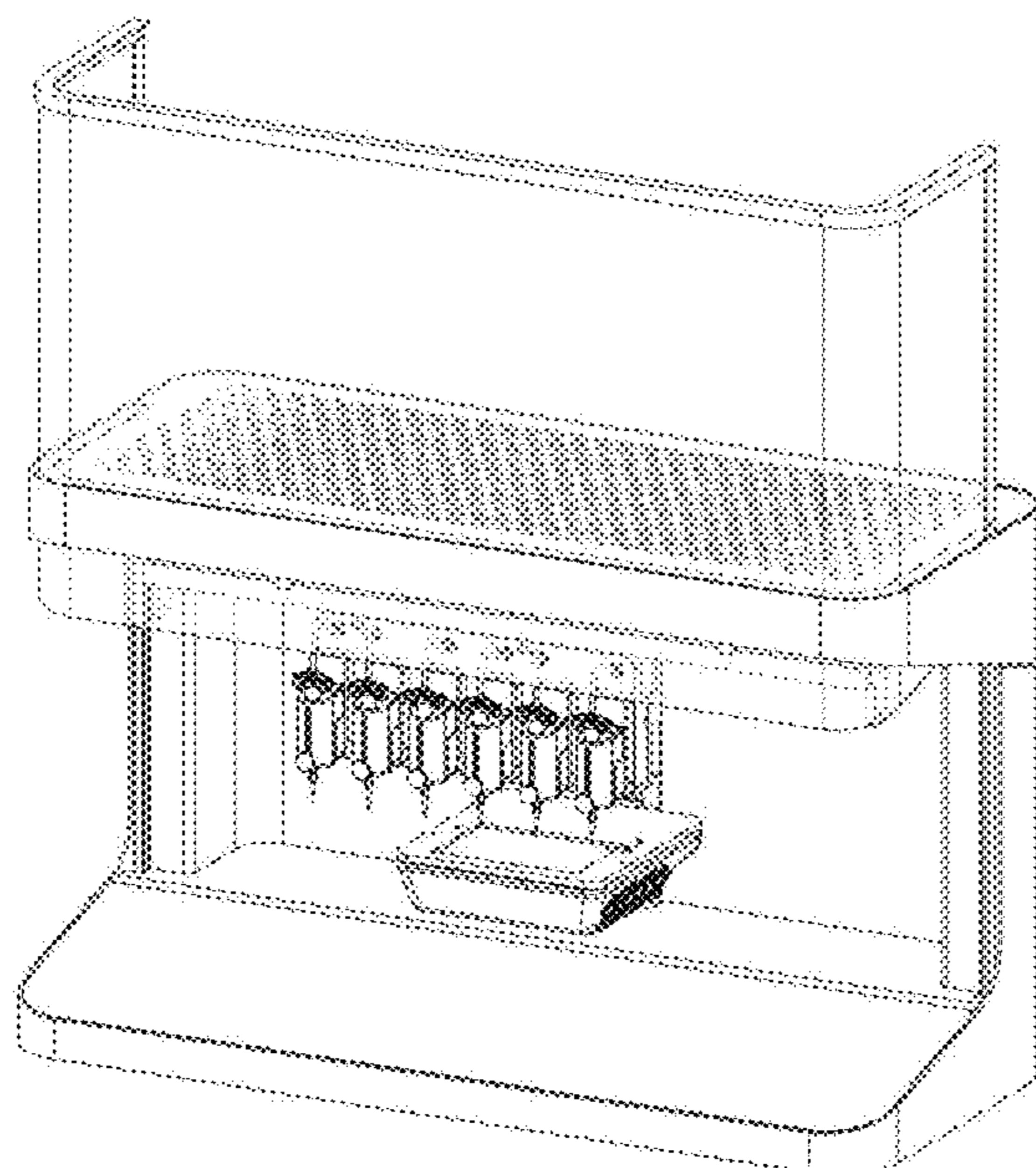
FIG. 1 is front elevational view of a bioprinter assembly, showing our new design;
 FIG. 2 is a left side elevational view thereof;
 FIG. 3 is rear elevational view thereof;
 FIG. 4 is a right side elevational view thereof;
 FIG. 5 is a top plan view thereof;
 FIG. 6 is a bottom plan view thereof;
 FIG. 7 is a front, left, top perspective view thereof;
 FIG. 8 is front elevational view of a bioprinter assembly, in an alternate condition of use, without the transparent shield at the top;
 FIG. 9 is a left side elevational view thereof;
 FIG. 10 is rear elevational view thereof;
 FIG. 11 is a right side elevational view thereof;
 FIG. 12 is a top plan view thereof;
 FIG. 13 is a bottom plan view thereof;
 FIG. 14 is a front, left, top perspective view thereof; and,
 FIG. 15 is an enlarged front view of a bioprinter head on the front of the bioprinter assembly shown removed for clarity.

(56) **References Cited**

U.S. PATENT DOCUMENTS

D688,741 S * 8/2013 Joyce D18/50
 D760,825 S * 7/2016 Solorzano D15/135
 D861,747 S * 10/2019 Grip D15/122

1 Claim, 15 Drawing Sheets



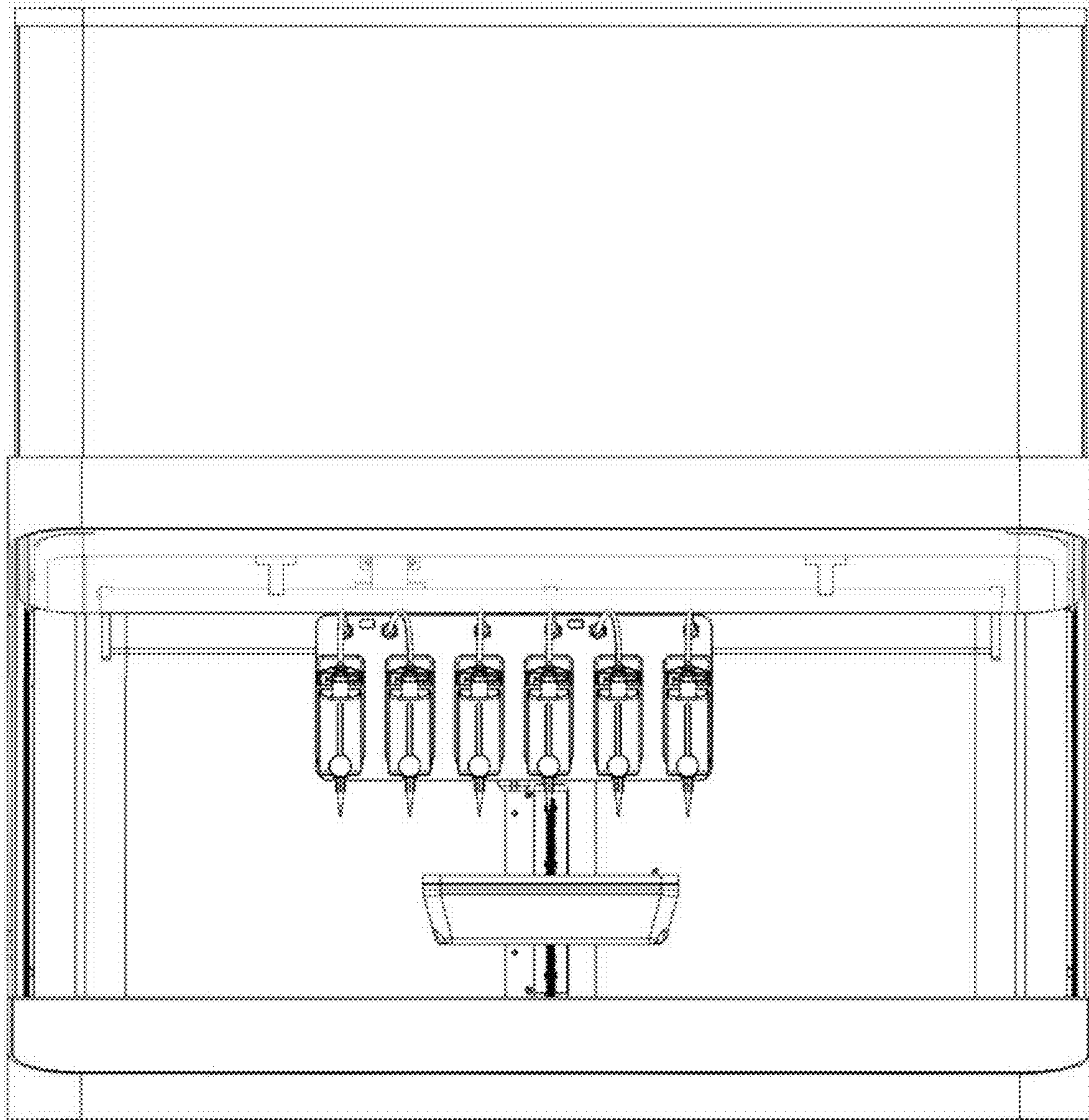


FIG. 1

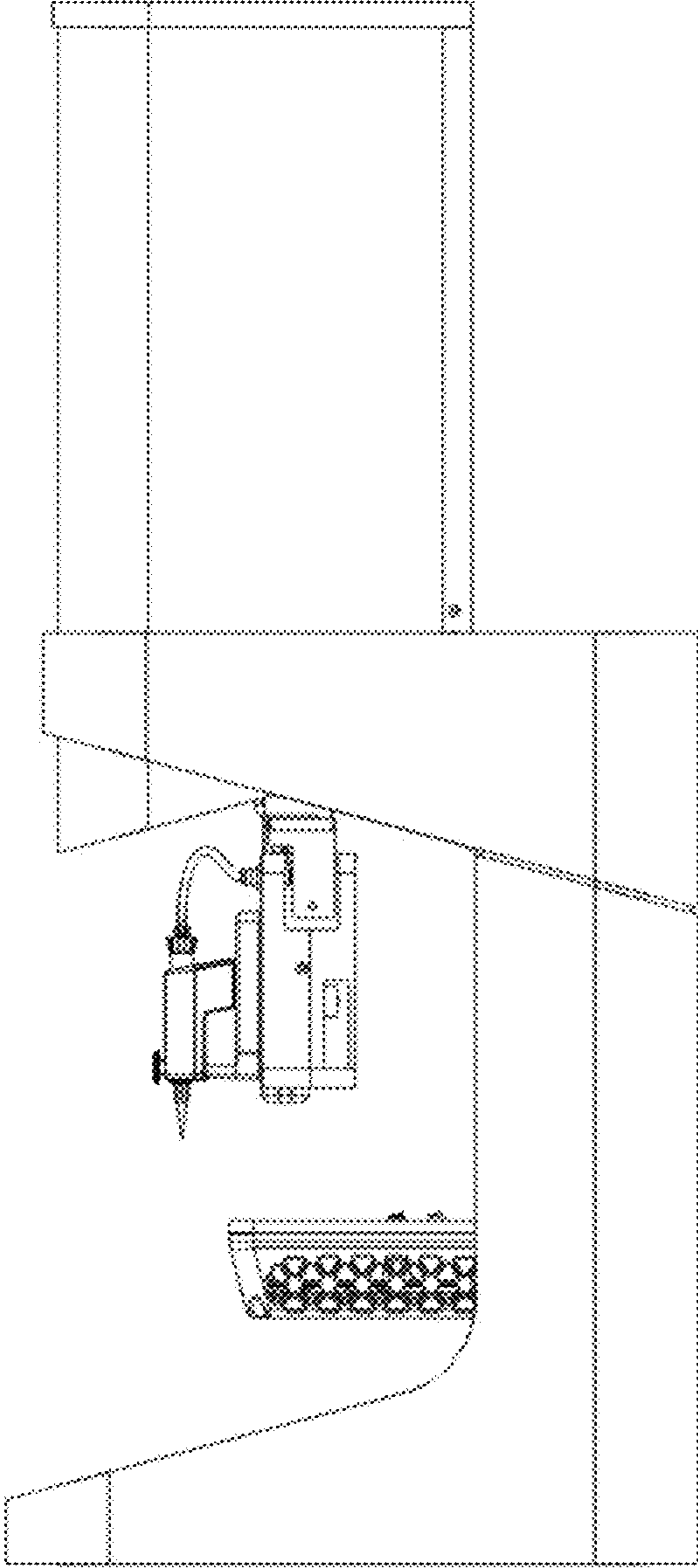


FIG. 2

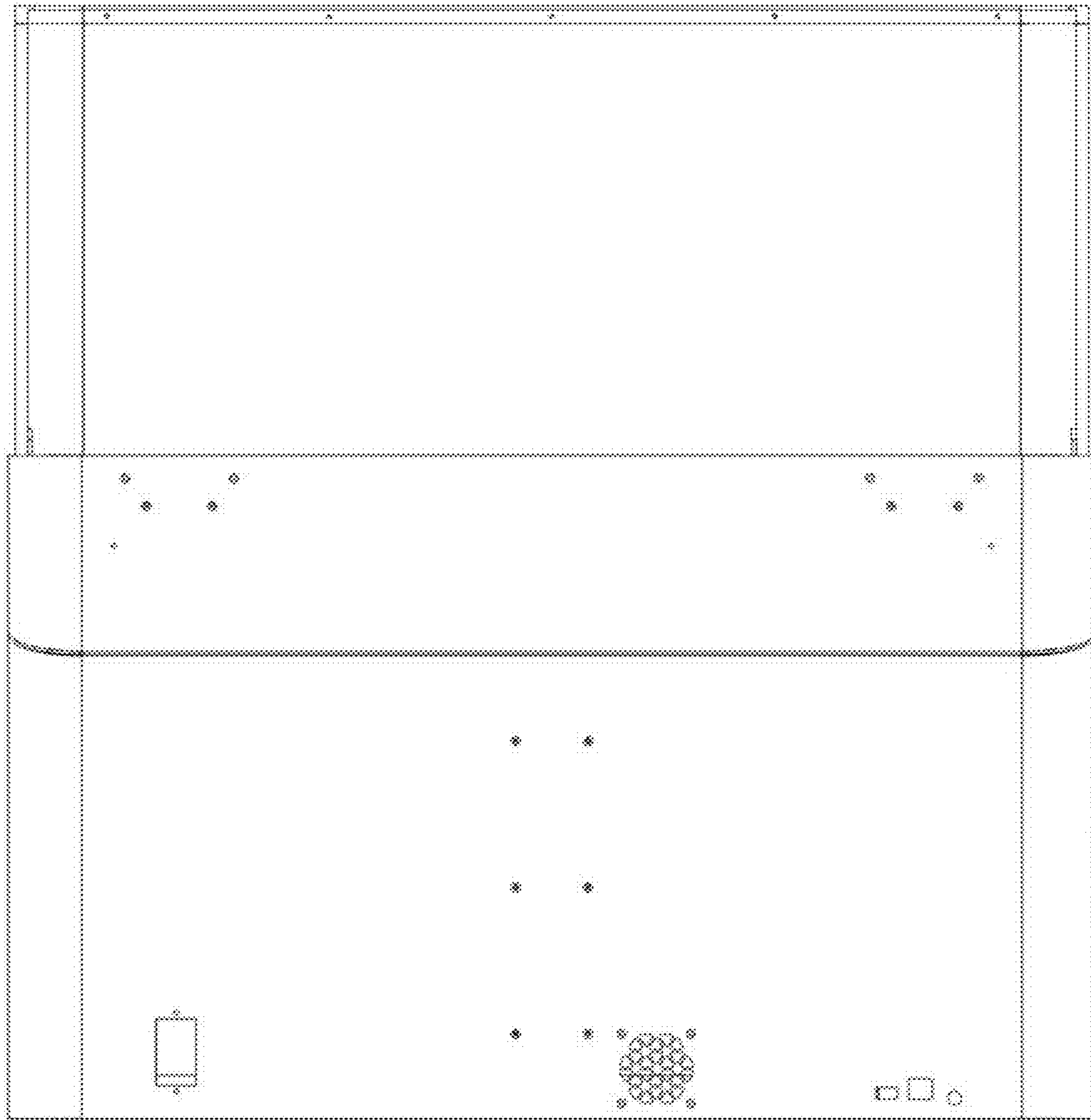


FIG. 3

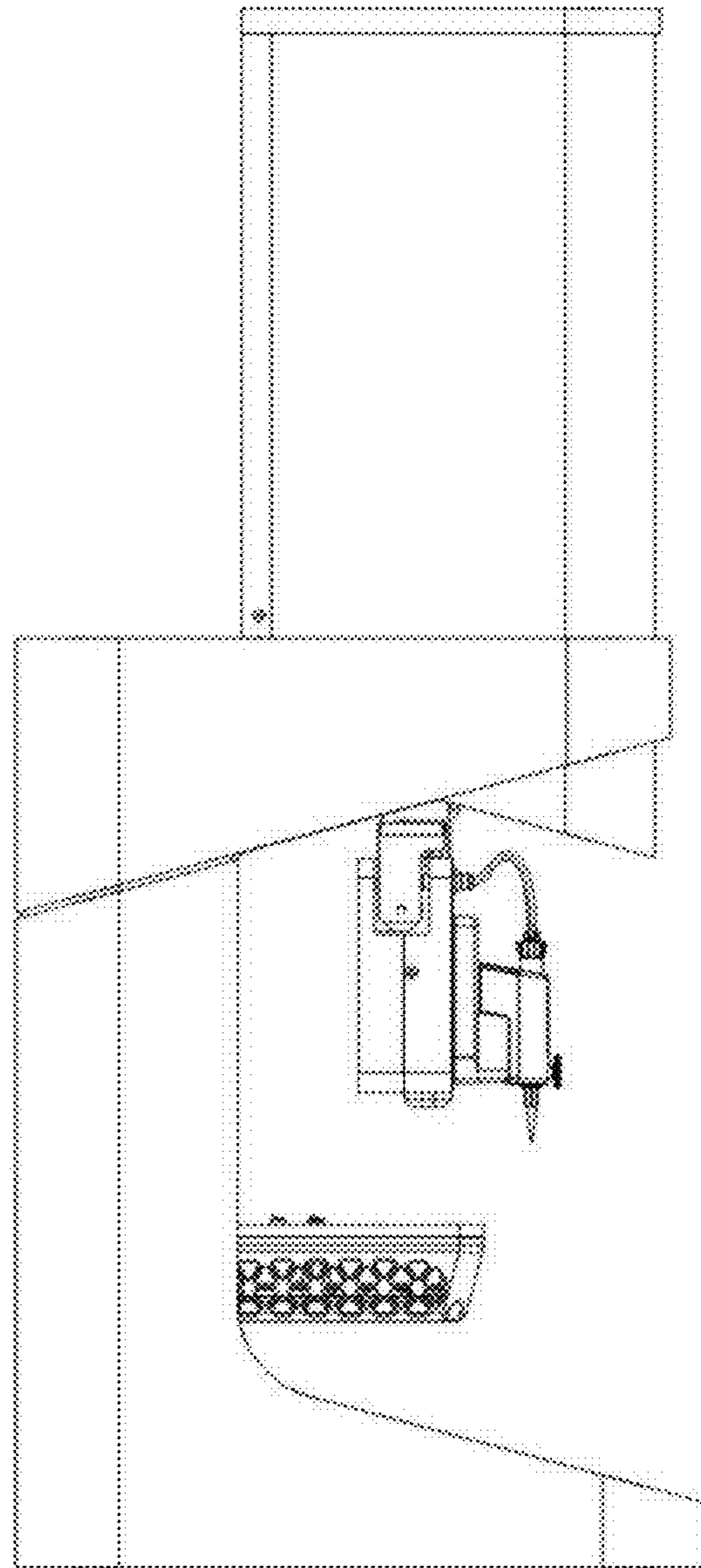


FIG. 4

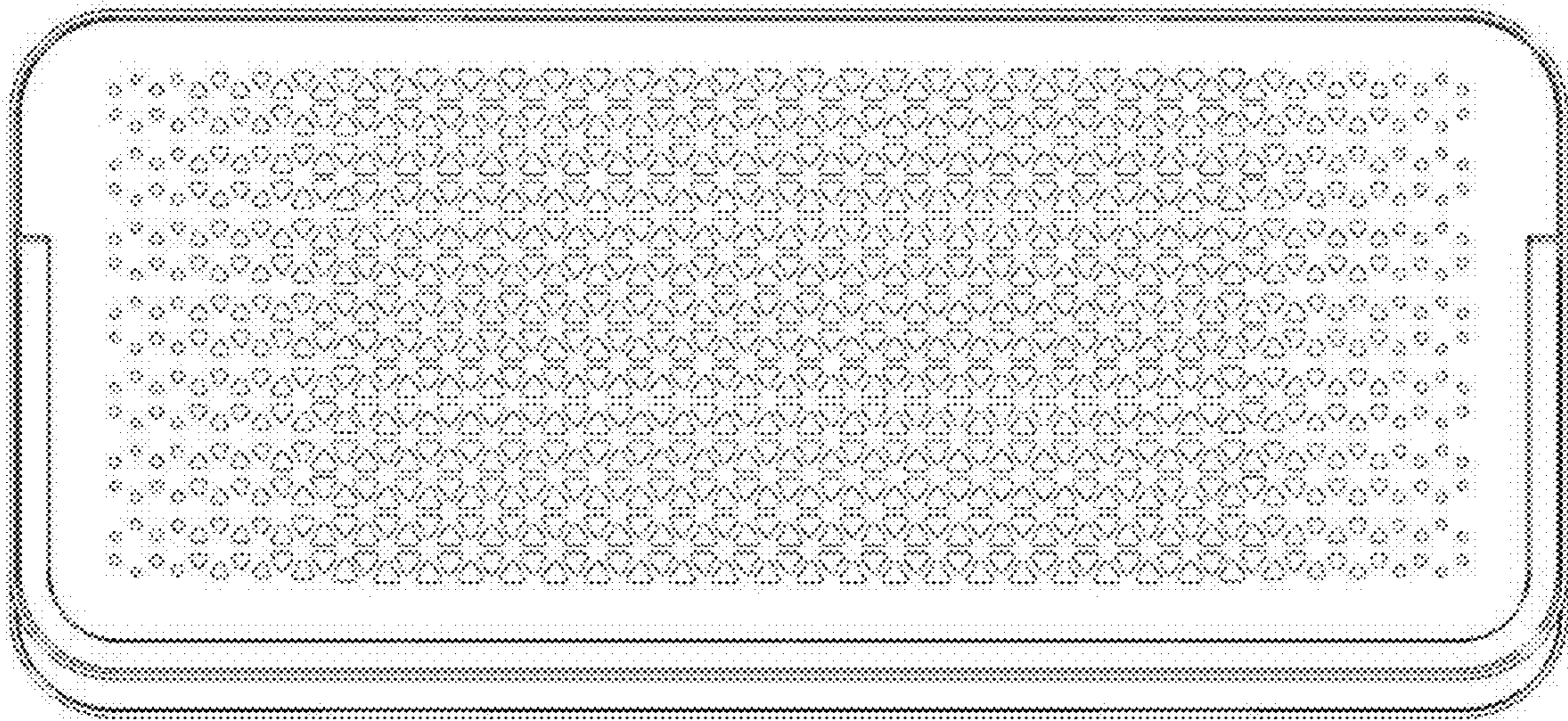


FIG. 5

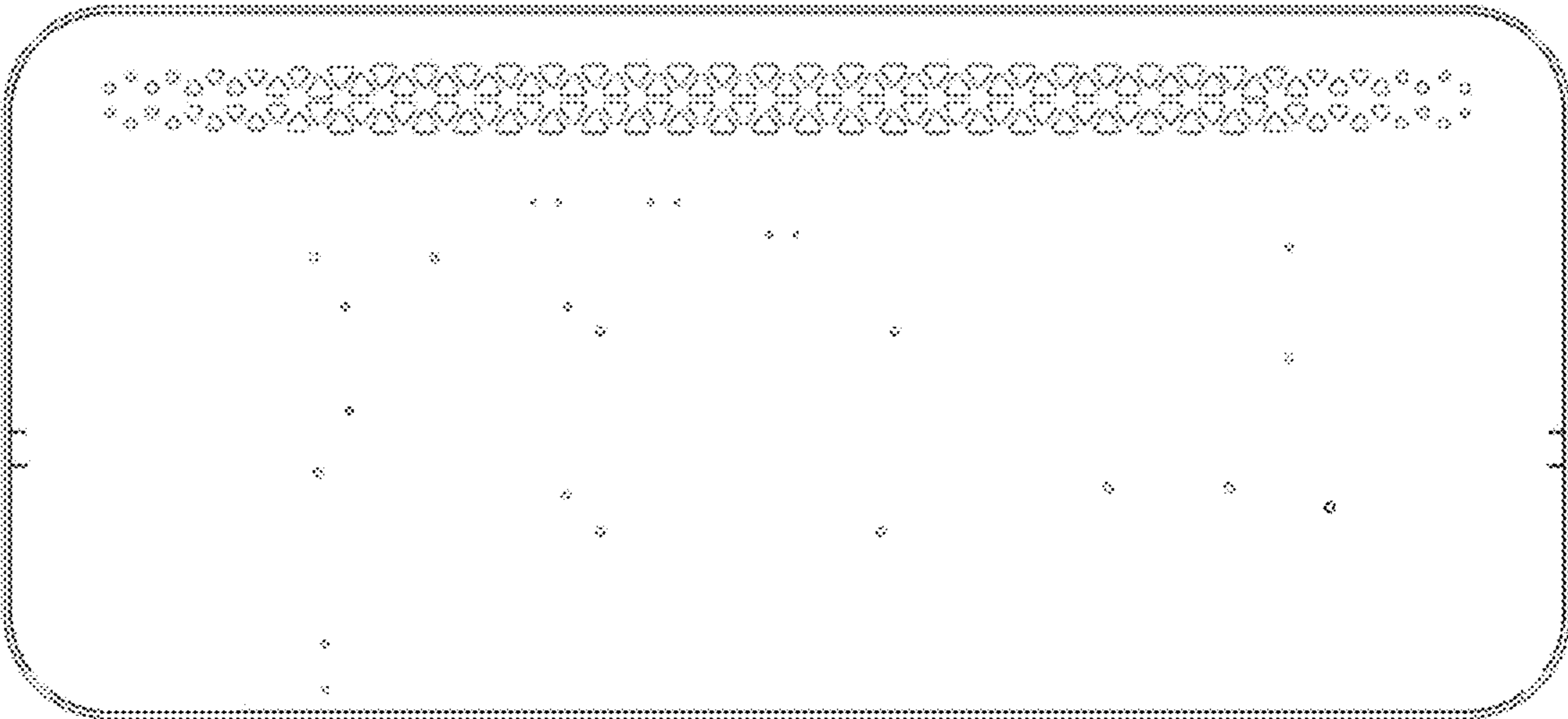


FIG. 6

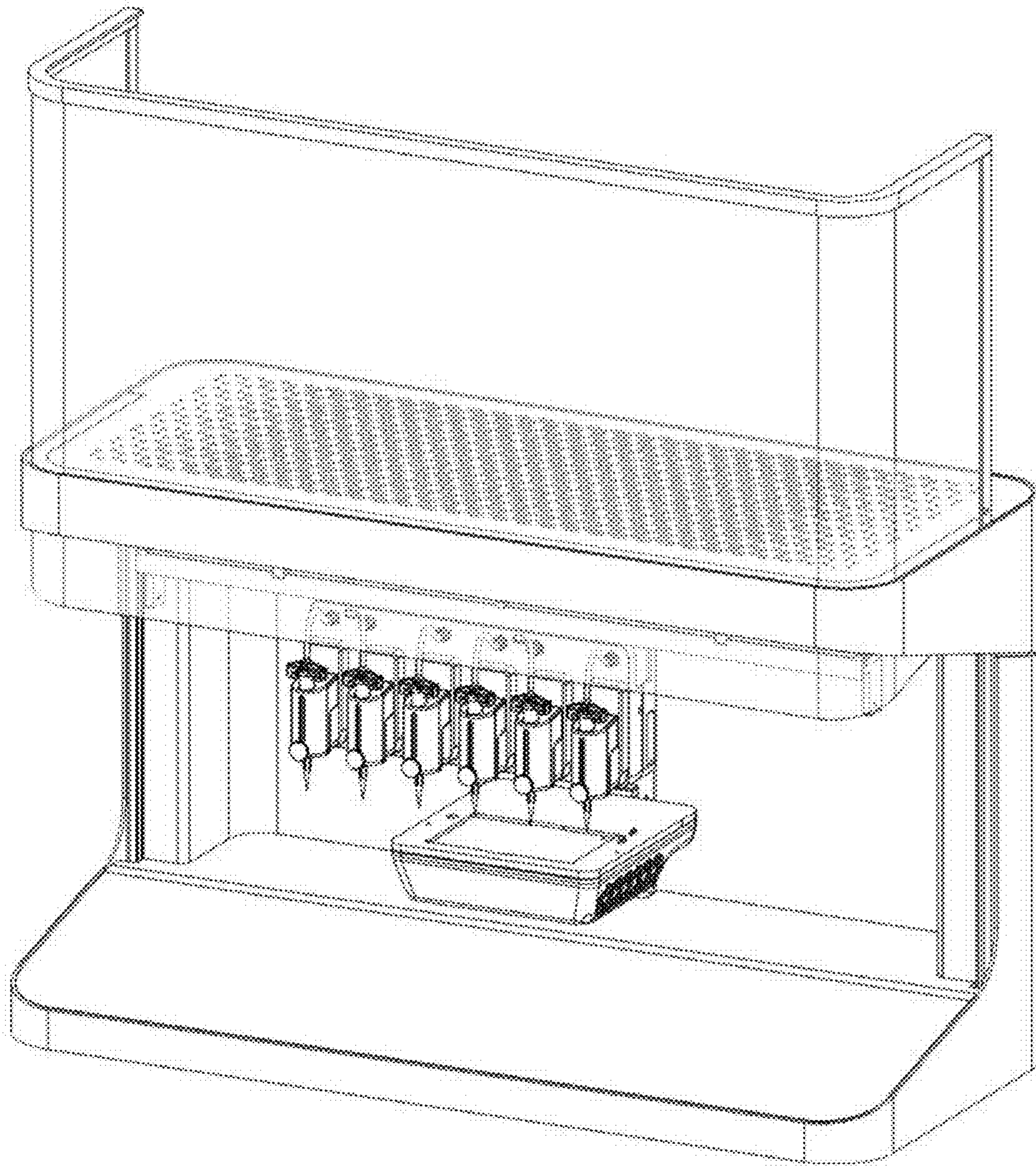


FIG. 7

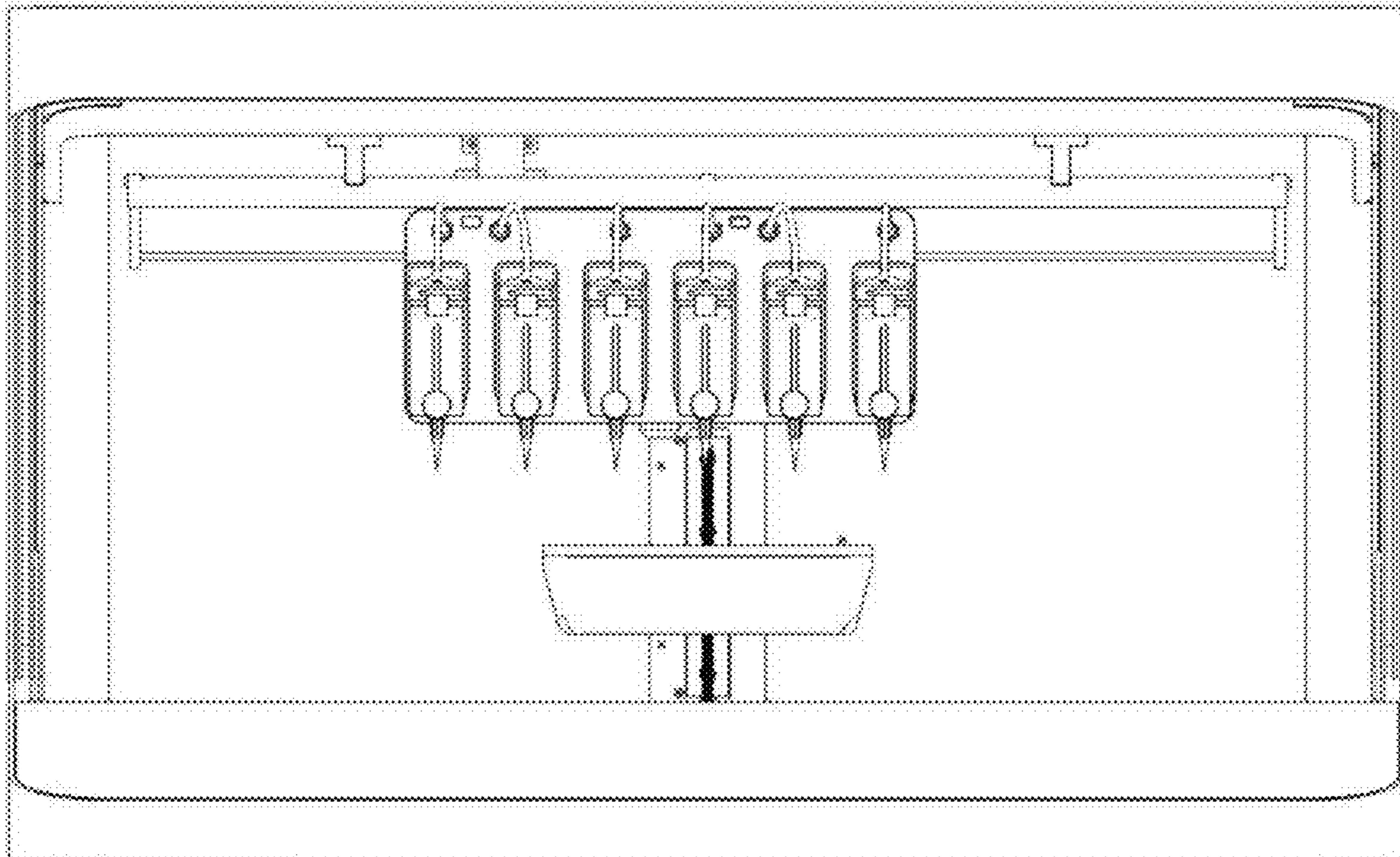


FIG. 8

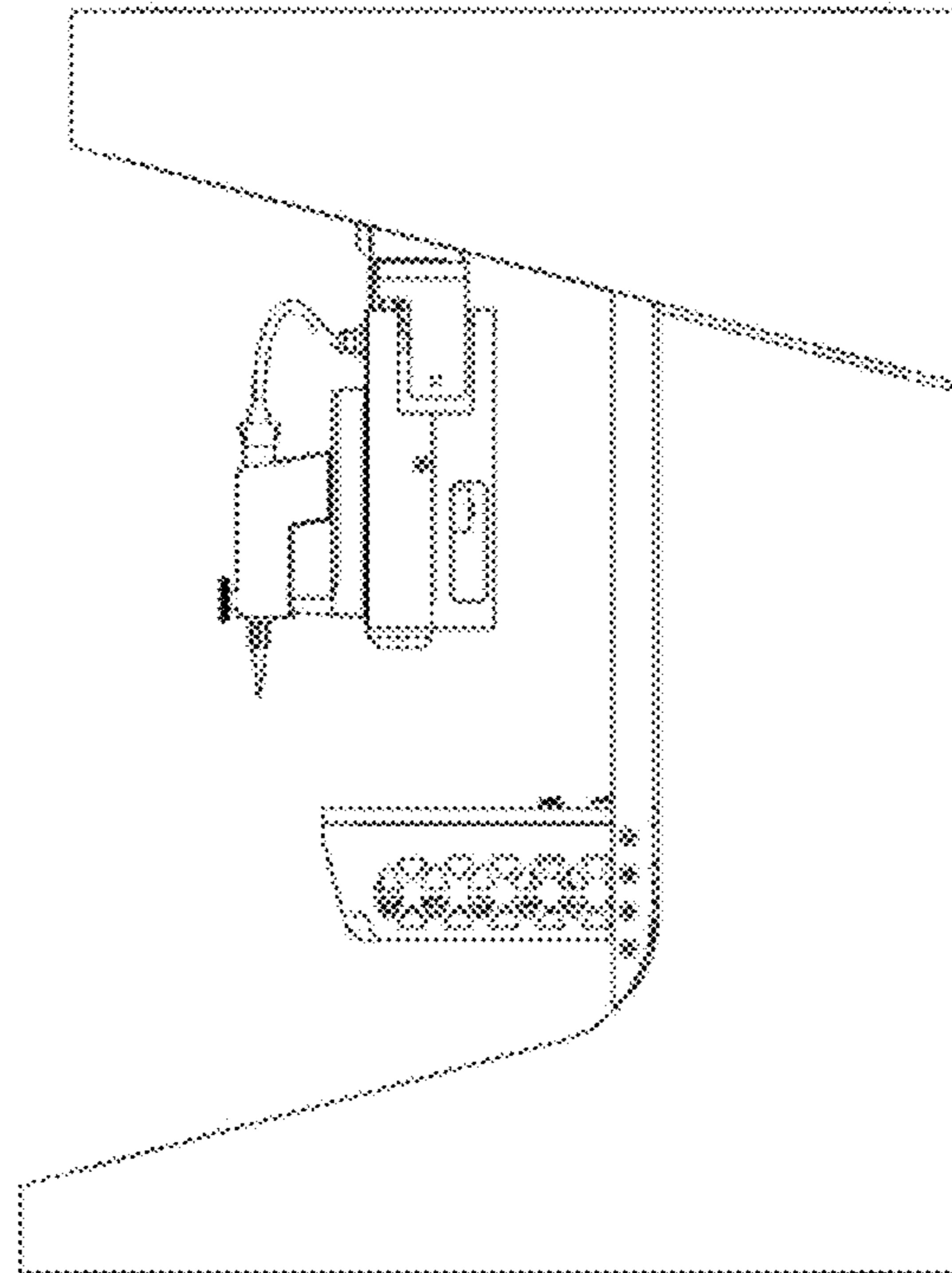


FIG. 9

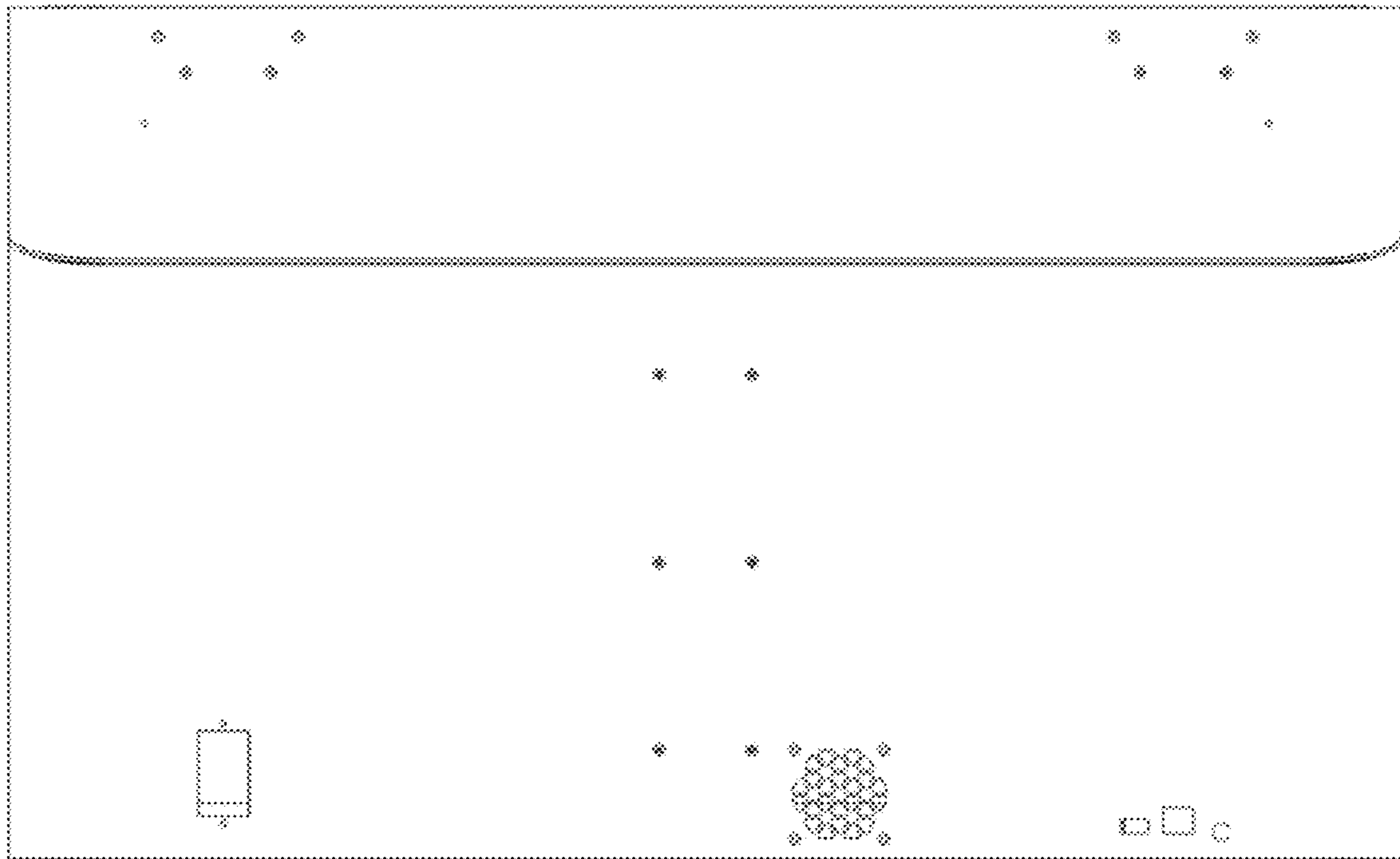


FIG. 10

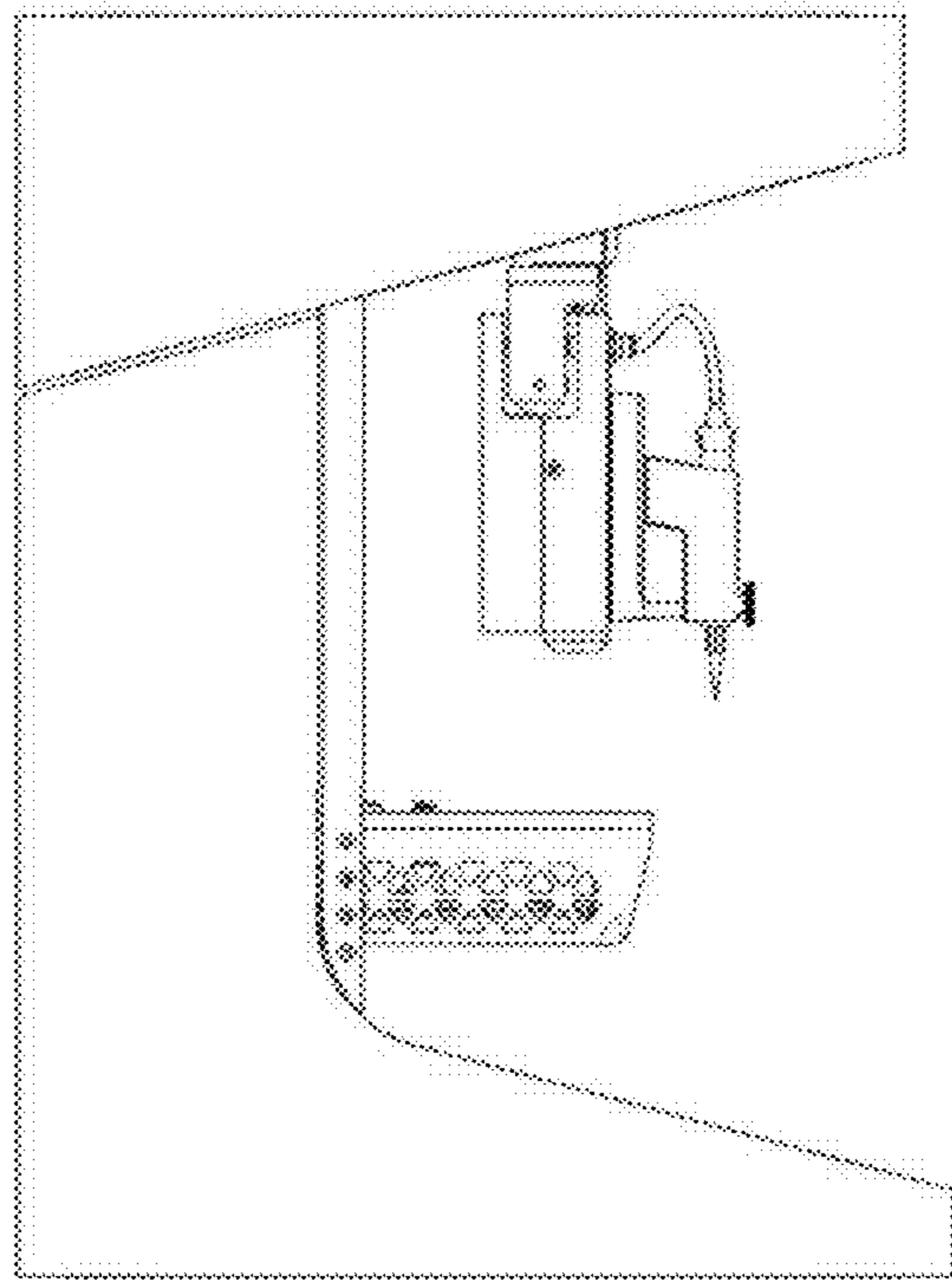


FIG. 11

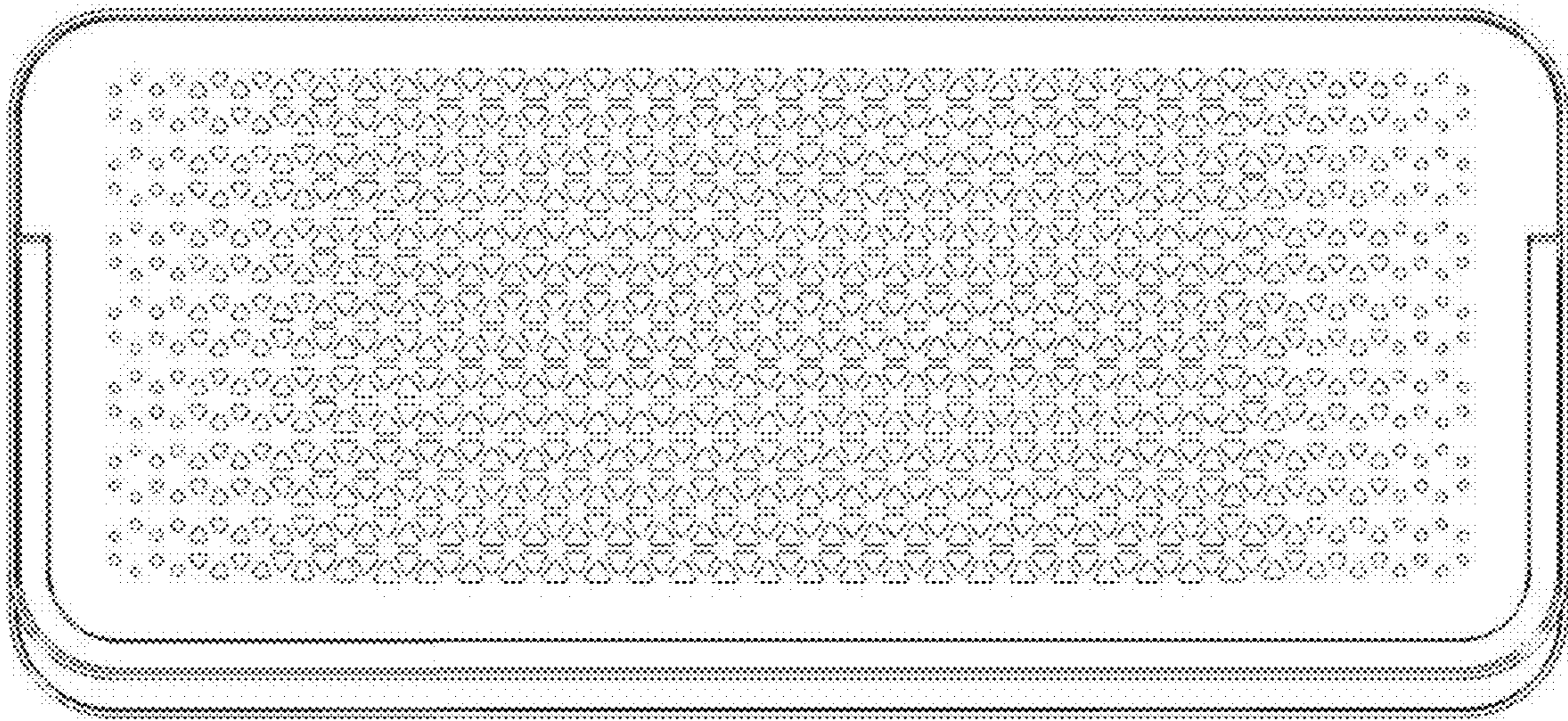


FIG. 12

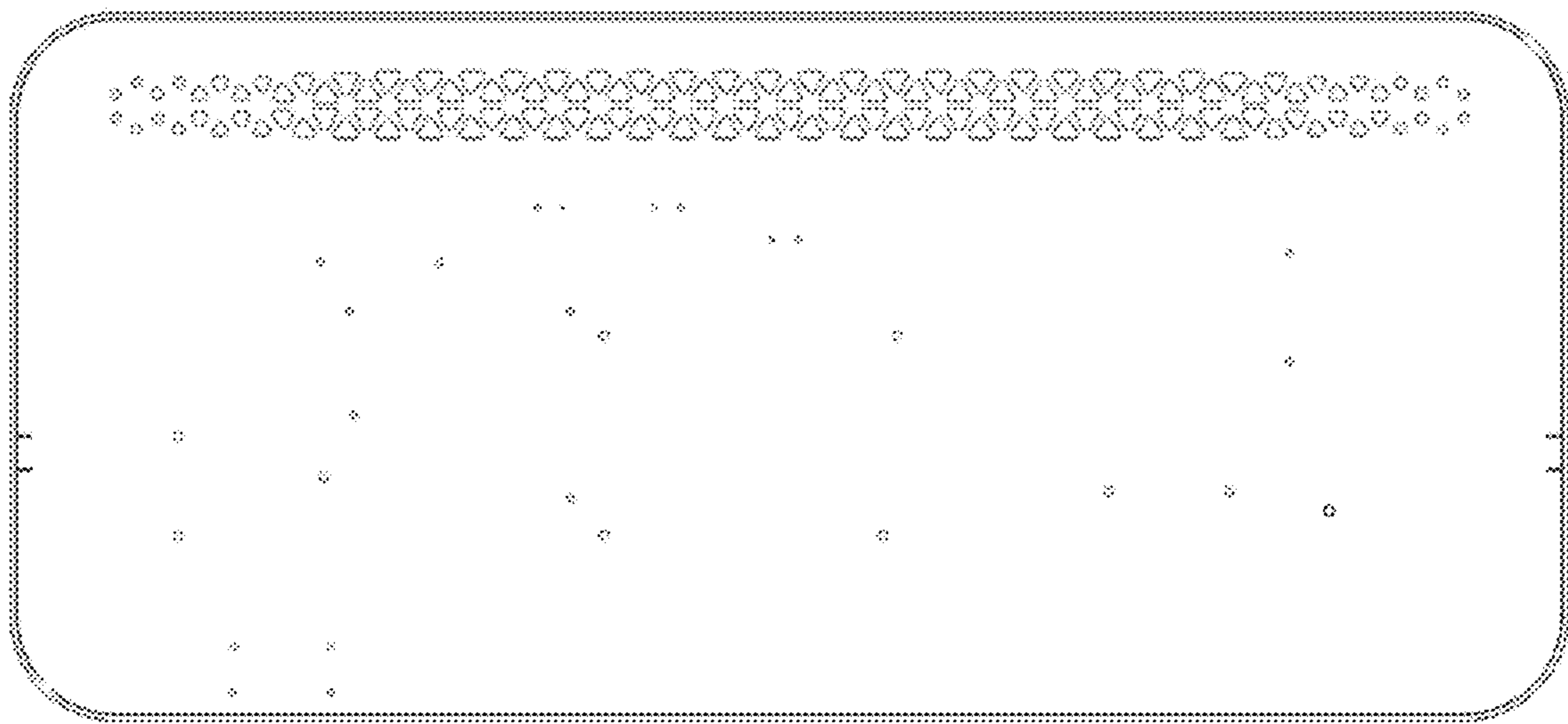


FIG. 13

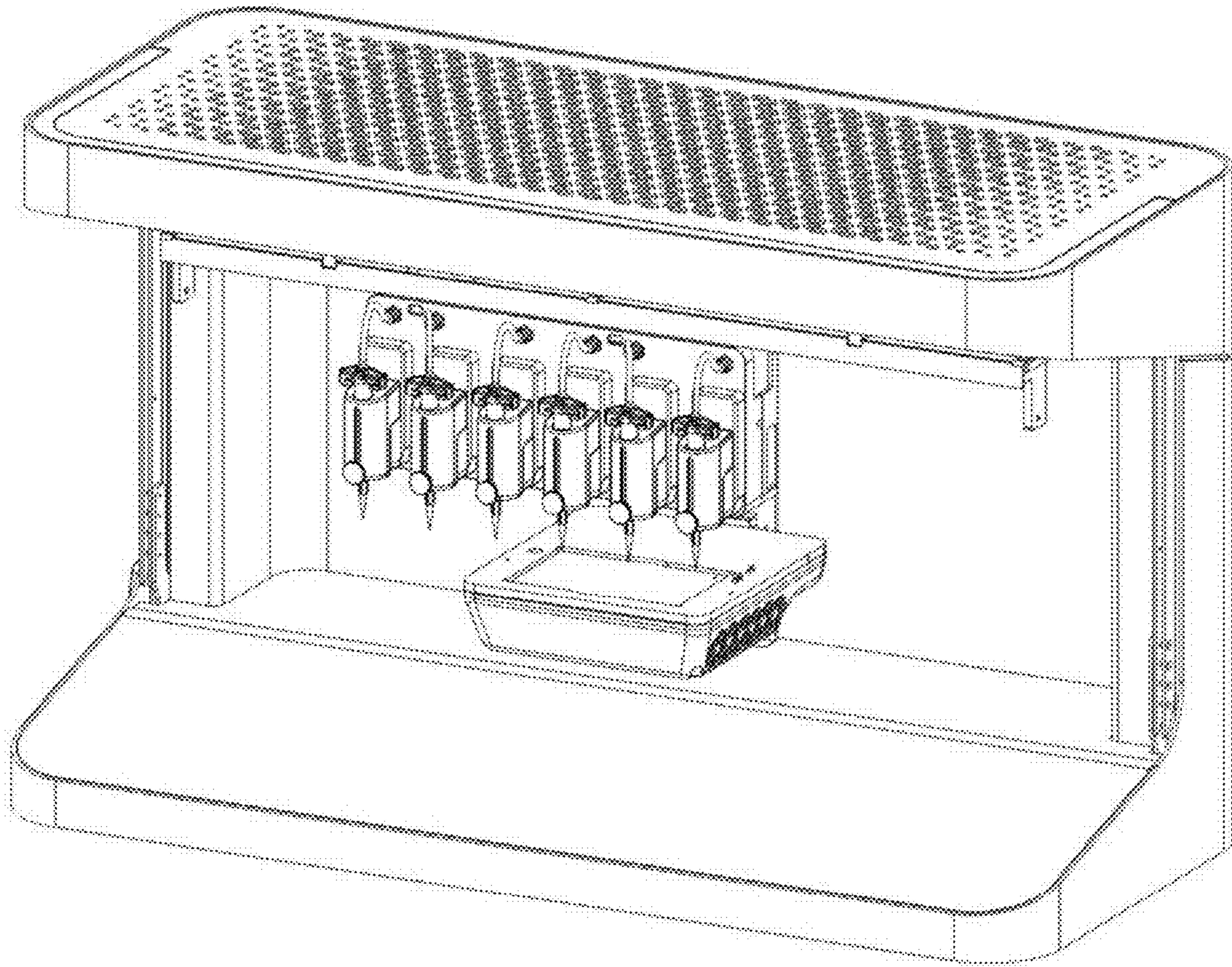


FIG. 14

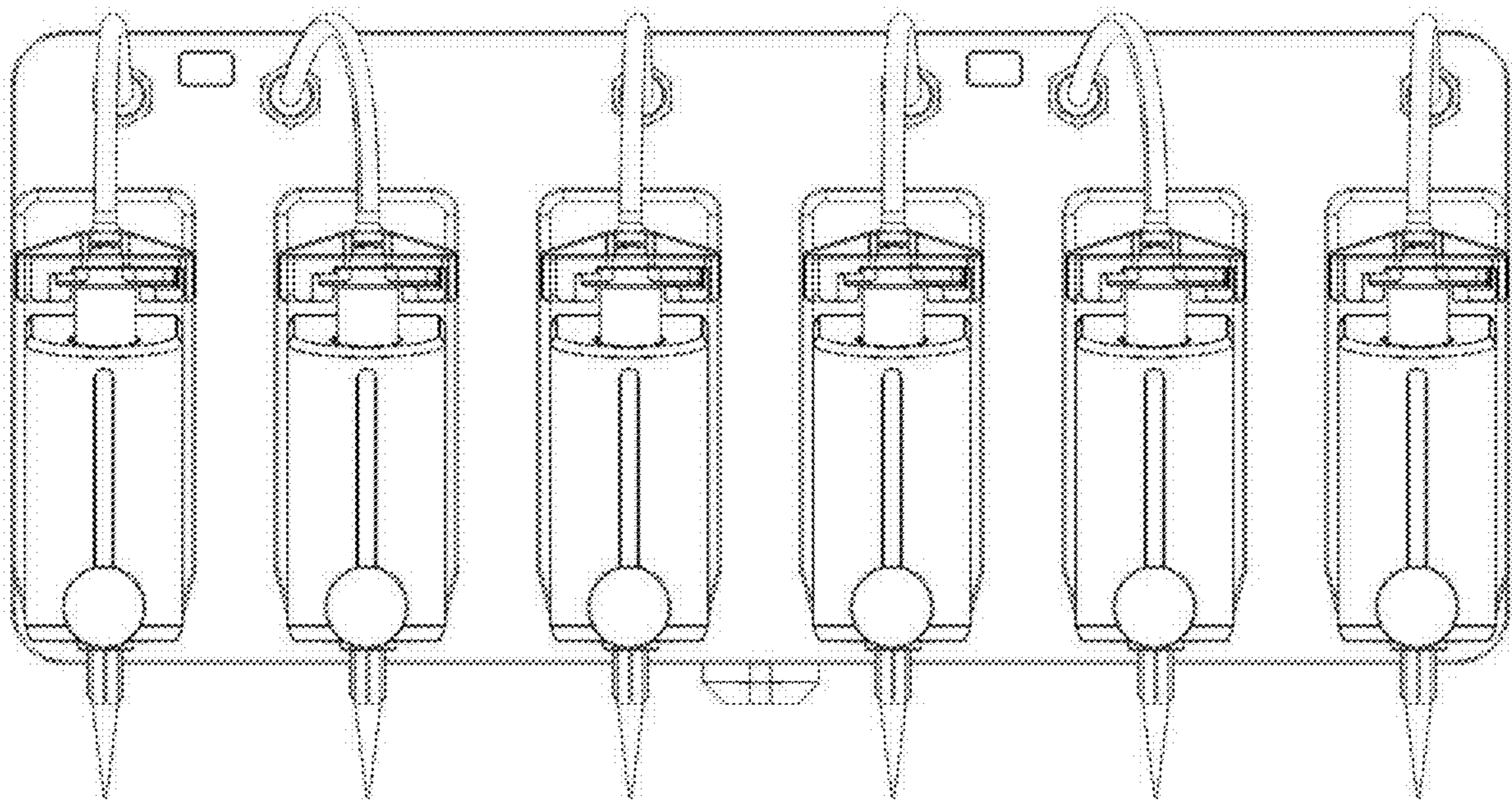


FIG. 15