



US00D966352S

(12) **United States Design Patent** (10) **Patent No.:** **US D966,352 S**  
**Lee et al.** (45) **Date of Patent:** **\*\* Oct. 11, 2022**

(54) **REFRIGERATOR**

(71) Applicant: **SAMSUNG ELECTRONICS CO., LTD.**, Suwon-si (KR)  
(72) Inventors: **Hyunil Lee**, Suwon-si (KR); **Suyeon Park**, Suwon-si (KR); **Jungeun Park**, Suwon-si (KR); **Jaemin Lee**, Suwon-si (KR); **Seokwoo Kim**, Suwon-si (KR); **Junguk Shin**, Suwon-si (KR)

(73) Assignee: **SAMSUNG ELECTRONICS CO., LTD.**, Gyeonggi-Do (KR)

(\*\*) Term: **15 Years**

(21) Appl. No.: **29/745,988**

(22) Filed: **Aug. 11, 2020**

(30) **Foreign Application Priority Data**

Apr. 17, 2020 (KR) ..... 30-2020-0017161

(51) **LOC (13) Cl.** ..... **15-07**

(52) **U.S. Cl.**  
USPC ..... **D15/89**; D15/91

(58) **Field of Classification Search**  
USPC ..... D15/79-91; D6/660, 661, 672, 675.1, D6/679, 703, 705, 705.1, 705.4; D3/273, D3/294, 295, 296, 304, 901, 903; D34/12, 19  
CPC ..... F25D 2323/021; F25D 2323/024; F25D 29/00; F25D 27/005; F25D 29/005; F25D 17/042; F25D 2325/021; F25D 11/00; F25D 11/02; F25D 11/025; F25D 23/00; F25D 23/02; F25D 23/04; F25D 23/12; F25D

(Continued)

(56) **References Cited**

**U.S. PATENT DOCUMENTS**

D449,316 S \* 10/2001 Stauffer ..... D15/79  
D522,542 S \* 6/2006 Czach ..... F25D 23/04  
D654,515 S \* 2/2012 Hwang ..... D15/85

(Continued)

**FOREIGN PATENT DOCUMENTS**

KR 300737524 S 4/2014  
KR 300761679 S 9/2014

(Continued)

**OTHER PUBLICATIONS**

A new design helps this Samsung French door fridge shine—CNET. [online]. pp. 1-3 [retrieved on Apr. 24, 2020]. Retrieved from the Internet: <URL: <https://www.cnet.com/pictures/a-new-design-helps-this-samsung-french-door-fridge-shine/6/>>.

*Primary Examiner* — Calvin E Vansant

*Assistant Examiner* — Mark T. Philipps

(74) *Attorney, Agent, or Firm* — Cantor Colburn LLP

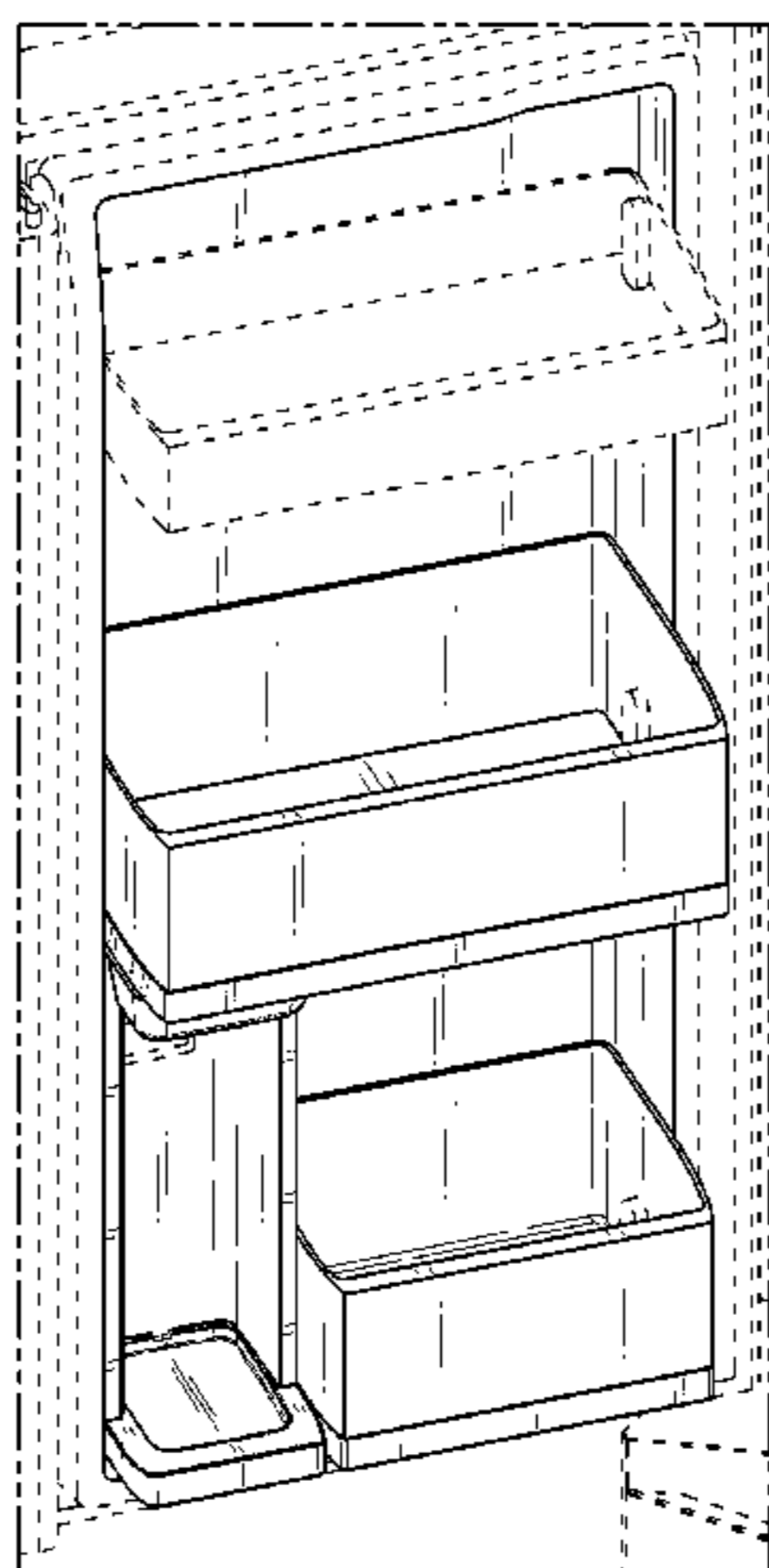
(57) **CLAIM**

The ornamental design for a refrigerator, as shown and described.

**DESCRIPTION**

FIG. 1 is a front perspective view of a refrigerator, showing our new design;  
FIG. 2 is a front view thereof;  
FIG. 3 is a rear view thereof;  
FIG. 4 is a left-side view thereof;  
FIG. 5 is a right-side view thereof;  
FIG. 6 is a top view thereof;  
FIG. 7 is a bottom view thereof;  
FIG. 8 is an enlarged view of the portion 8 in FIG. 1; and, FIG. 9 is an enlarged view of the portion 9 in FIG. 2.  
The even-dash broken lines illustrating portions of the refrigerator form no part of the claimed design. The dot-dot-dash broken lines encircling enlargement portions of the refrigerator form no part of the claimed design.

**1 Claim, 9 Drawing Sheets**



(58) **Field of Classification Search**

CPC ..... 23/028; F25D 25/02; F25D 25/021; F25D  
25/022; F25D 25/024; F25D 25/025

See application file for complete search history.

(56) **References Cited**

U.S. PATENT DOCUMENTS

D727,377 S \* 4/2015 Jeon ..... D15/89  
D738,940 S \* 9/2015 Shin ..... D15/89  
D791,200 S \* 7/2017 Kim ..... D15/89  
D791,845 S \* 7/2017 Kim ..... D15/89  
D847,218 S \* 4/2019 Choi ..... D15/89  
D886,164 S \* 6/2020 Mangiarotti ..... F25D 29/00  
D15/81  
D886,166 S \* 6/2020 Kim ..... D15/89  
10,835,040 B1 \* 11/2020 El-Sayed ..... A47B 88/975  
2009/0033188 A1 \* 2/2009 Becke ..... F25D 25/02  
312/405  
2013/0264928 A1 \* 10/2013 Hong ..... A47B 88/75  
312/404  
2016/0131416 A1 \* 5/2016 Sankhgond ..... F25D 25/02  
312/408  
2019/0107320 A1 \* 4/2019 Kwon ..... F25D 25/02  
2020/0208904 A1 \* 7/2020 Choy ..... F25D 23/126  
2020/0323342 A1 \* 10/2020 Chavan ..... A47B 95/043

FOREIGN PATENT DOCUMENTS

KR 300761683 S 9/2014  
KR 300766618 S 10/2014

\* cited by examiner

FIG. 1

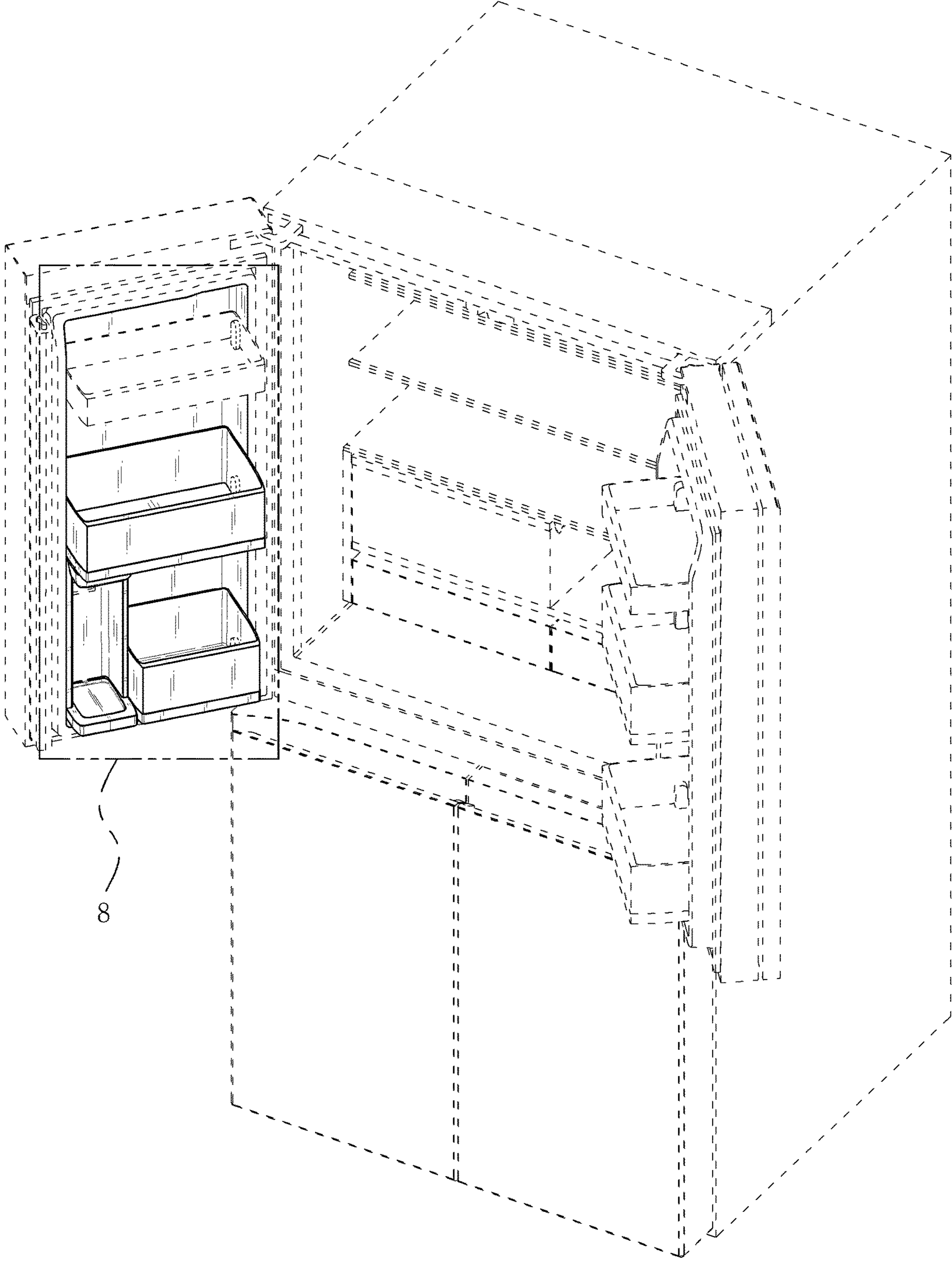


FIG. 2

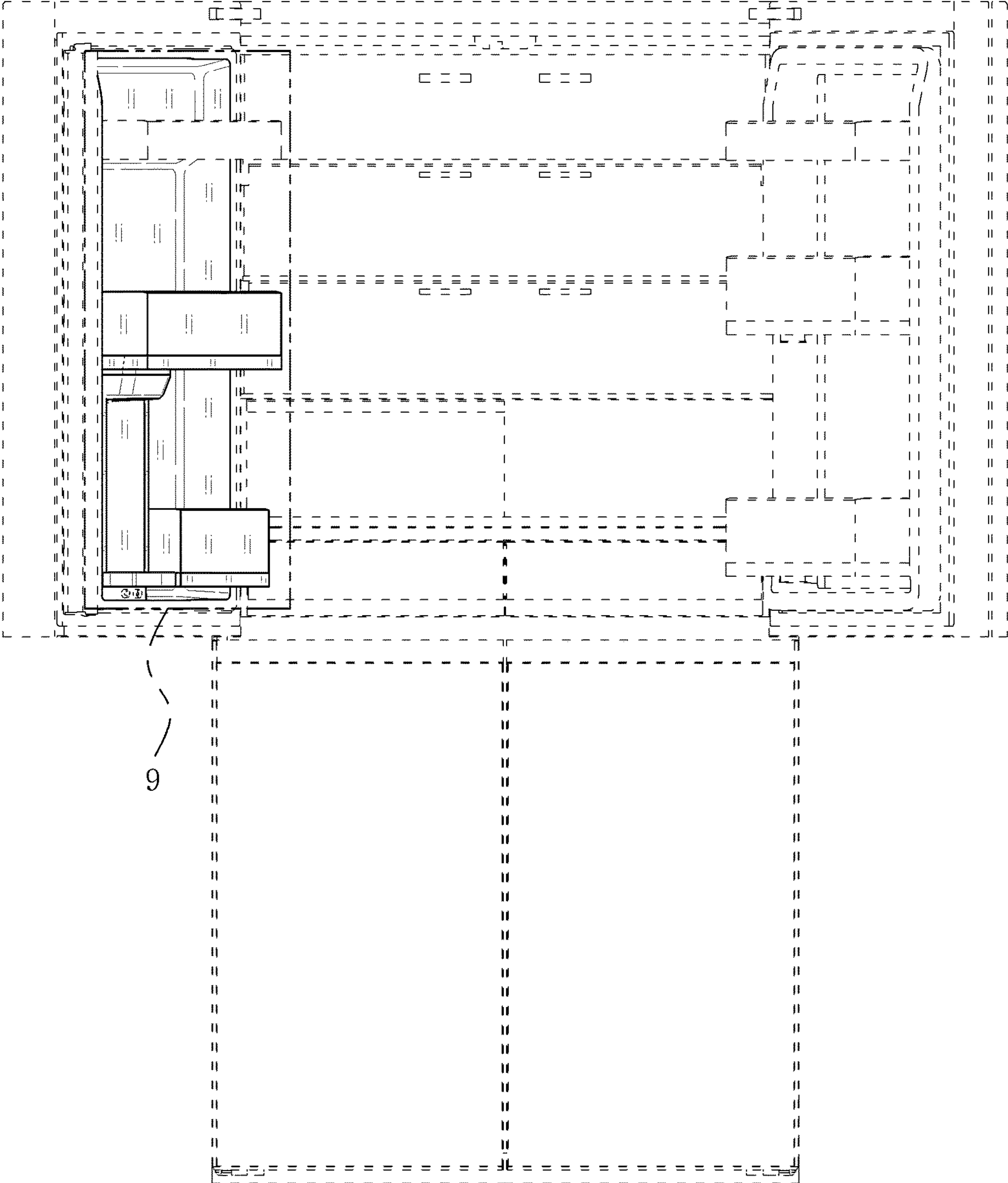


FIG. 3

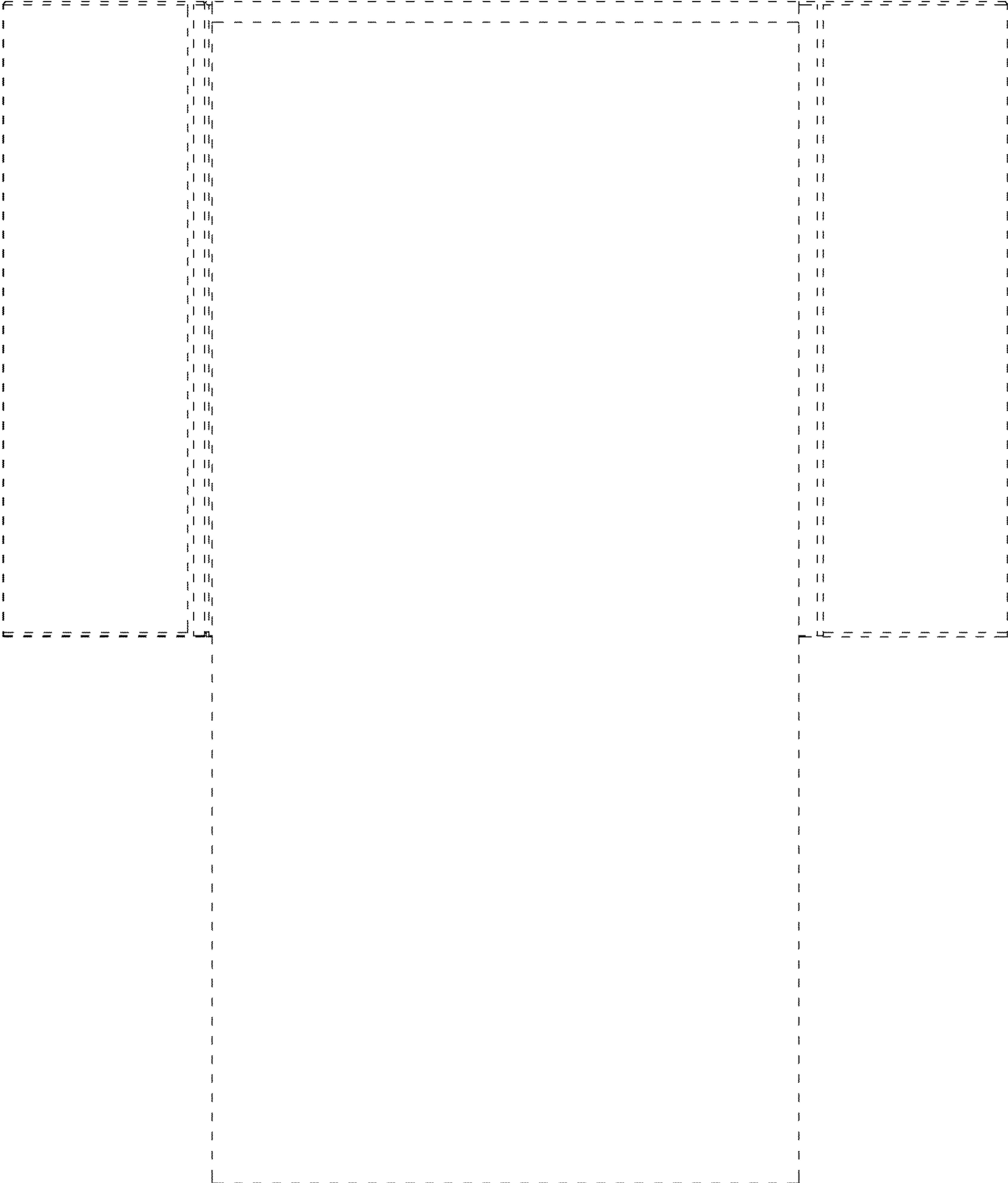


FIG. 4

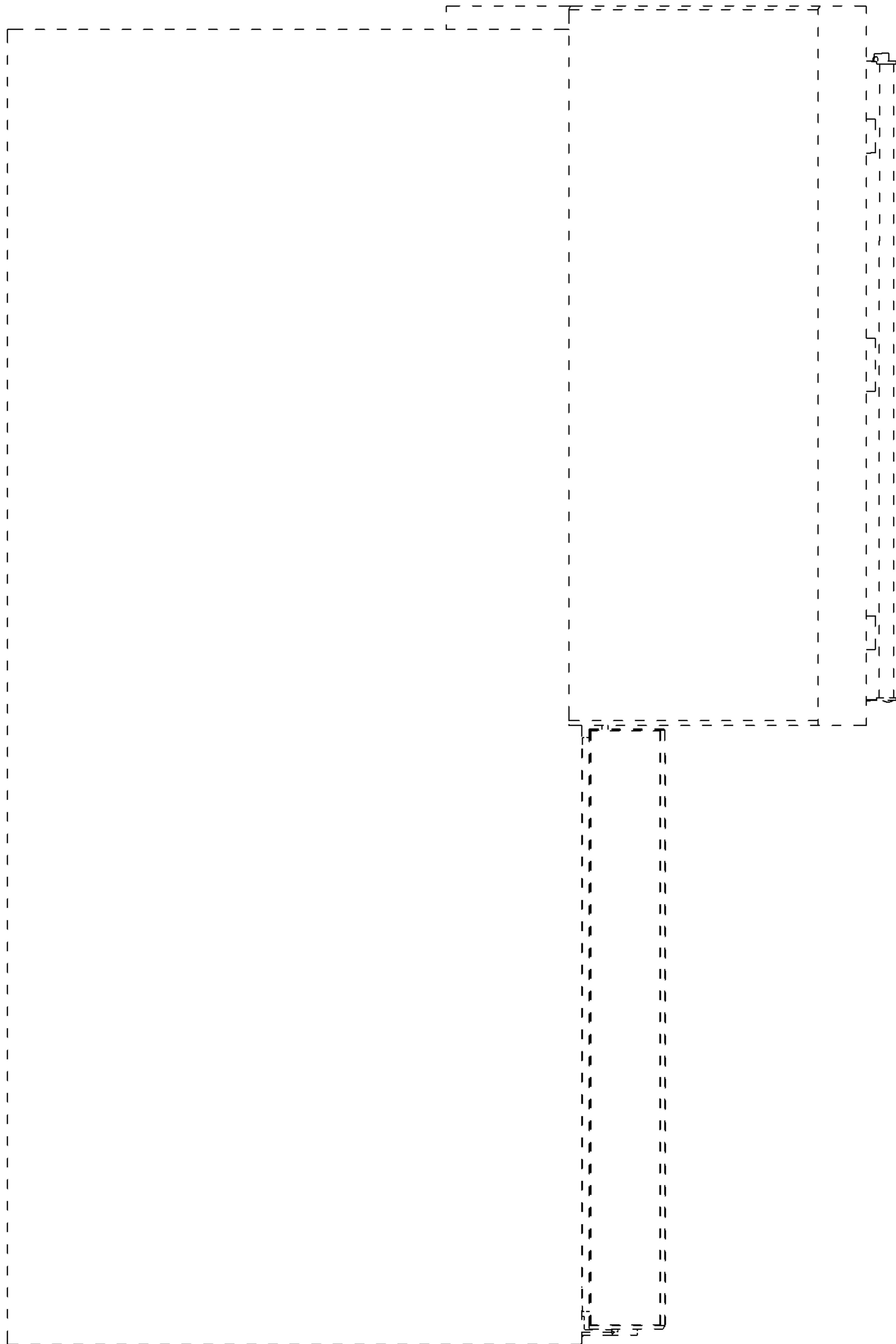


FIG. 5

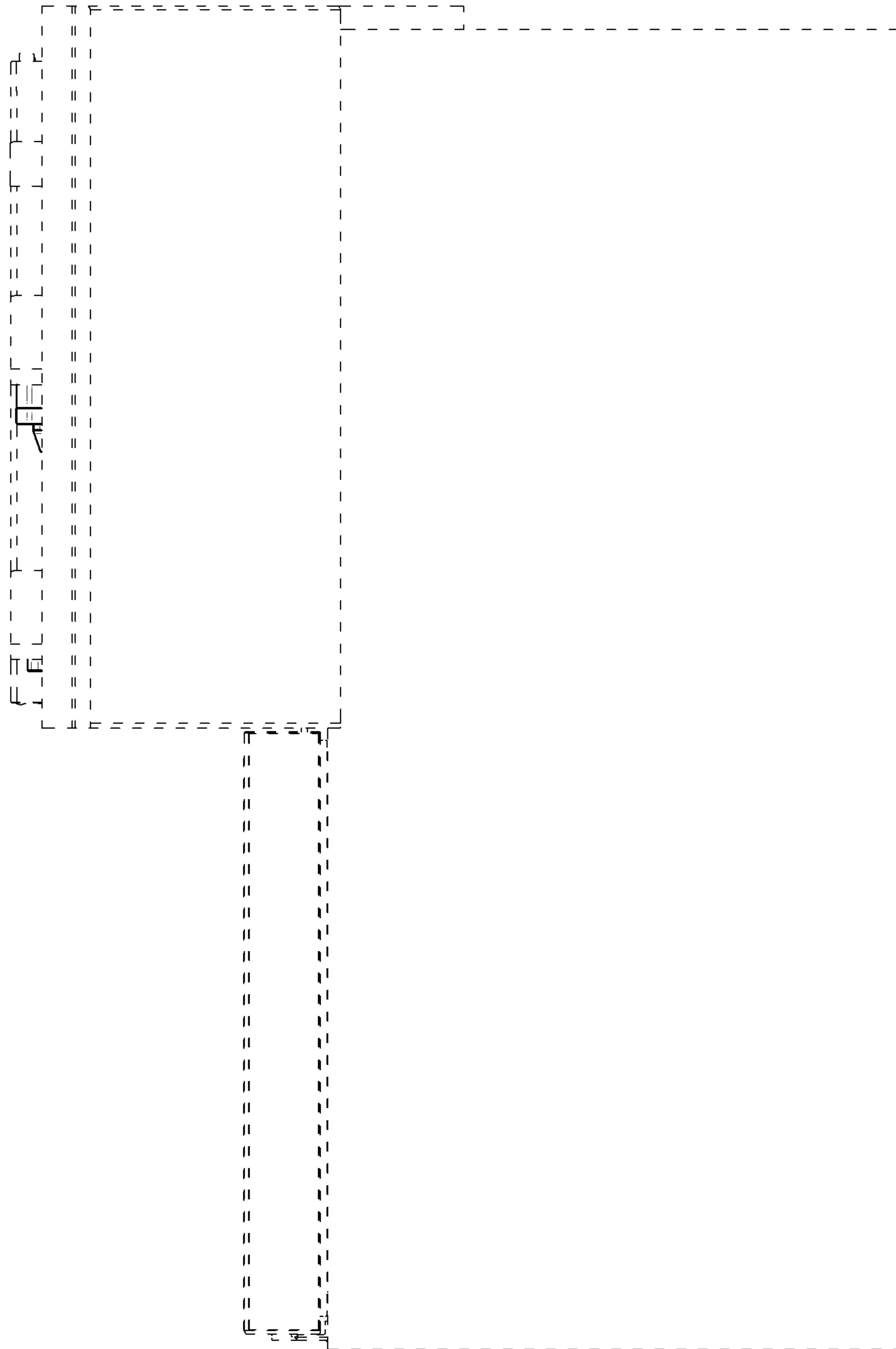


FIG. 6

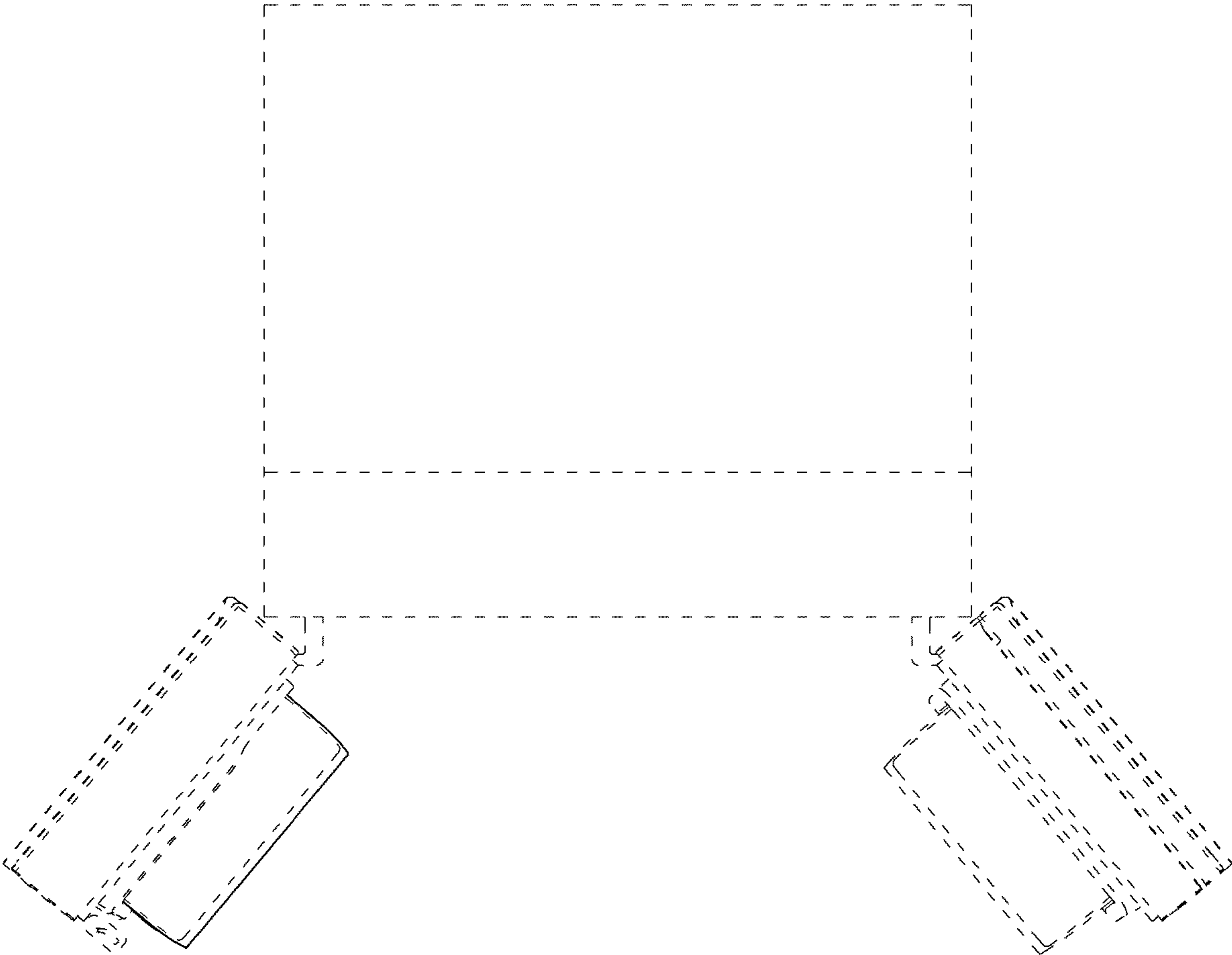




FIG. 7

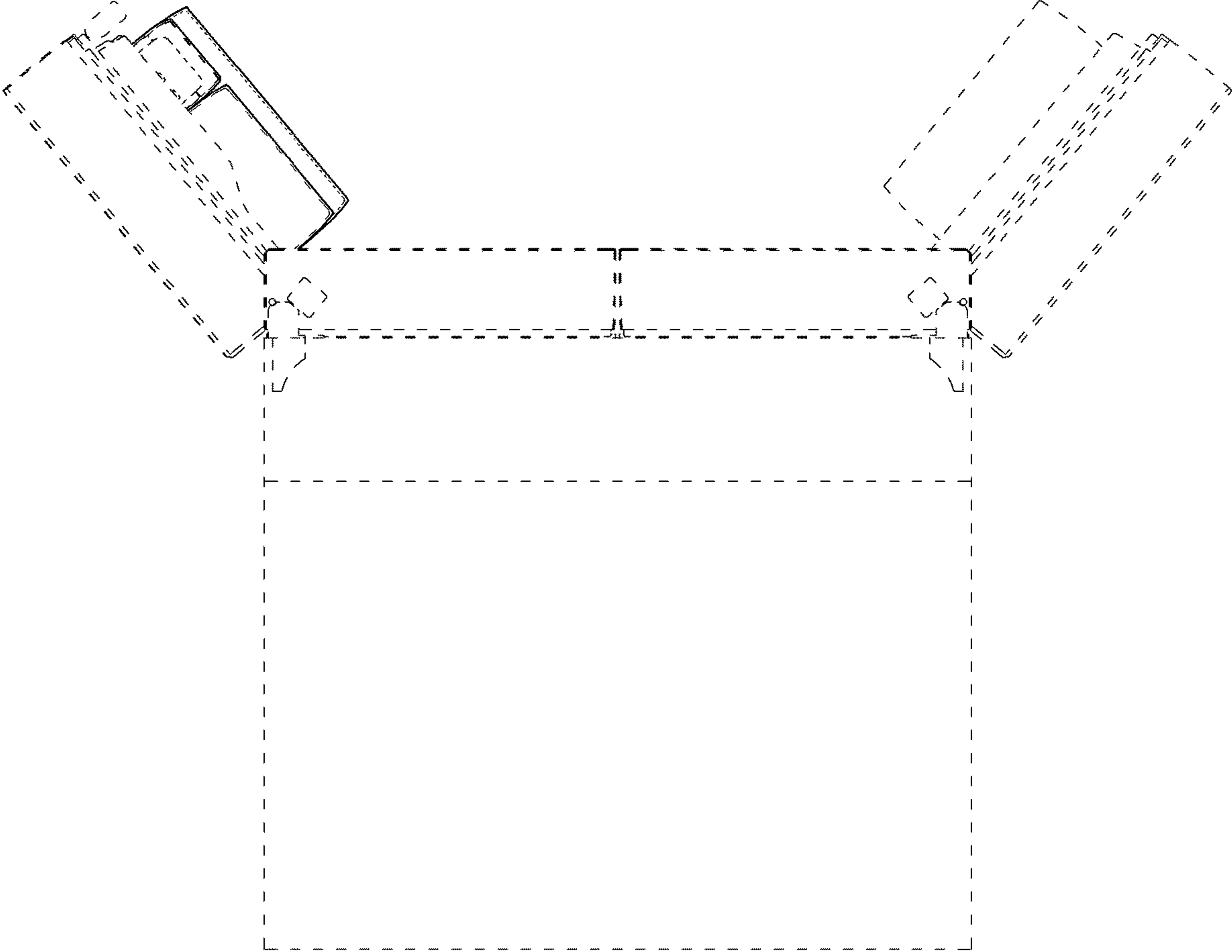


FIG. 8

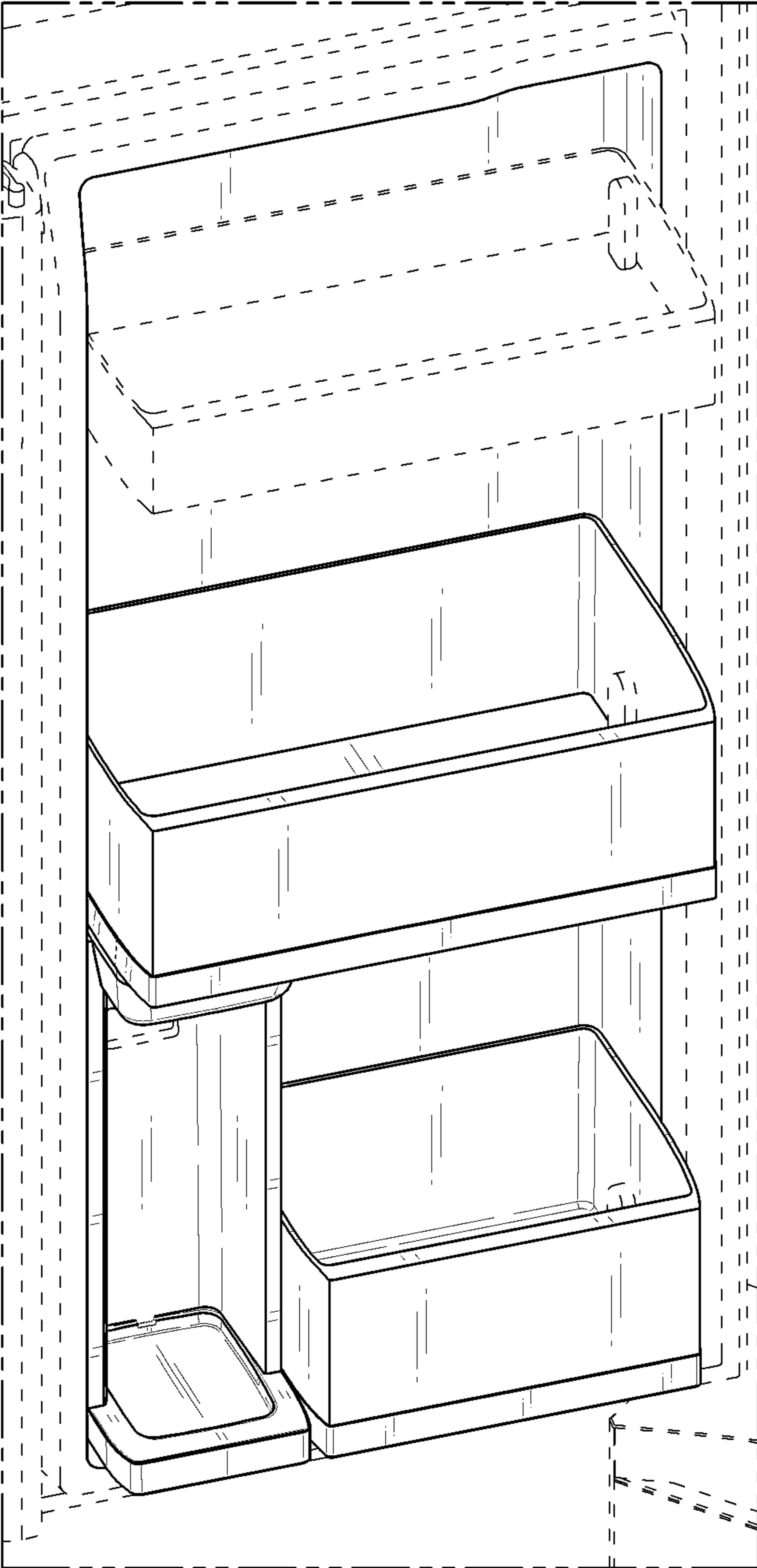


FIG. 9

