



US00D966349S

(12) **United States Design Patent**  
**Jia et al.**

(10) **Patent No.:** **US D966,349 S**  
(45) **Date of Patent:** **\*\* Oct. 11, 2022**

(54) **REFRIGERATOR**

(71) Applicant: **Guangzhou Boju Information Technology Co., Ltd., Guangzhou (CN)**

(72) Inventors: **Zhuo Jia, Guangzhou (CN); Taiping Yang, Guangzhou (CN)**

(\*\*) Term: **15 Years**

(21) Appl. No.: **29/843,570**

(22) Filed: **Jun. 22, 2022**

(30) **Foreign Application Priority Data**

Jun. 7, 2022 (CN) ..... 202230345333.3

(51) **LOC (13) Cl.** ..... **15-07**

(52) **U.S. Cl.**  
USPC ..... **D15/79**

(58) **Field of Classification Search**  
USPC ..... D15/79-91; D7/603-608; D3/272-274  
CPC ..... F25D 17/02; F25D 11/003; F25D 19/003;  
F25D 19/02; F25D 21/04; F25D 2201/14;  
F25D 2331/803; F25D 2331/805; F25D  
23/006; F25D 23/028; F25D 23/065;  
F25D 23/066; F25D 23/085; F25D  
2400/20; F25D 2400/28; F25D 2400/38;  
F25D 2700/16; F25D 29/00; F25D  
29/003; F25D 29/005; F25D 31/006;  
F25D 31/007

See application file for complete search history.

(56) **References Cited**

**U.S. PATENT DOCUMENTS**

D875,792 S 2/2020 Huang et al.  
10,731,919 B1 \* 8/2020 Gutierrez ..... F25D 27/005  
D905,129 S \* 12/2020 Deng ..... D15/81  
D906,377 S \* 12/2020 Tang ..... D15/79  
D907,074 S \* 1/2021 Yang ..... D15/83  
D917,977 S \* 5/2021 Brunner ..... D7/605

D922,148 S \* 6/2021 Yang ..... D7/605  
D922,454 S \* 6/2021 Tang ..... D15/79  
D927,939 S \* 8/2021 Ellison ..... D7/605  
D929,189 S \* 8/2021 Pennington ..... D7/605  
D937,328 S \* 11/2021 Tang ..... D15/79  
D958,845 S \* 7/2022 Zhao ..... D15/79  
2005/0258118 A1 \* 11/2005 Lee ..... A47B 73/002  
211/134  
2007/0228909 A1 \* 10/2007 Hwang ..... F25D 31/007  
312/408  
2021/0018250 A1 \* 1/2021 Tang ..... F25B 27/00  
2021/0229893 A1 \* 7/2021 Maldonado ..... B65D 43/22  
2021/0285710 A1 \* 9/2021 Barros ..... F25D 3/08

(Continued)

*Primary Examiner* — Khawaja Anwar

(57) **CLAIM**

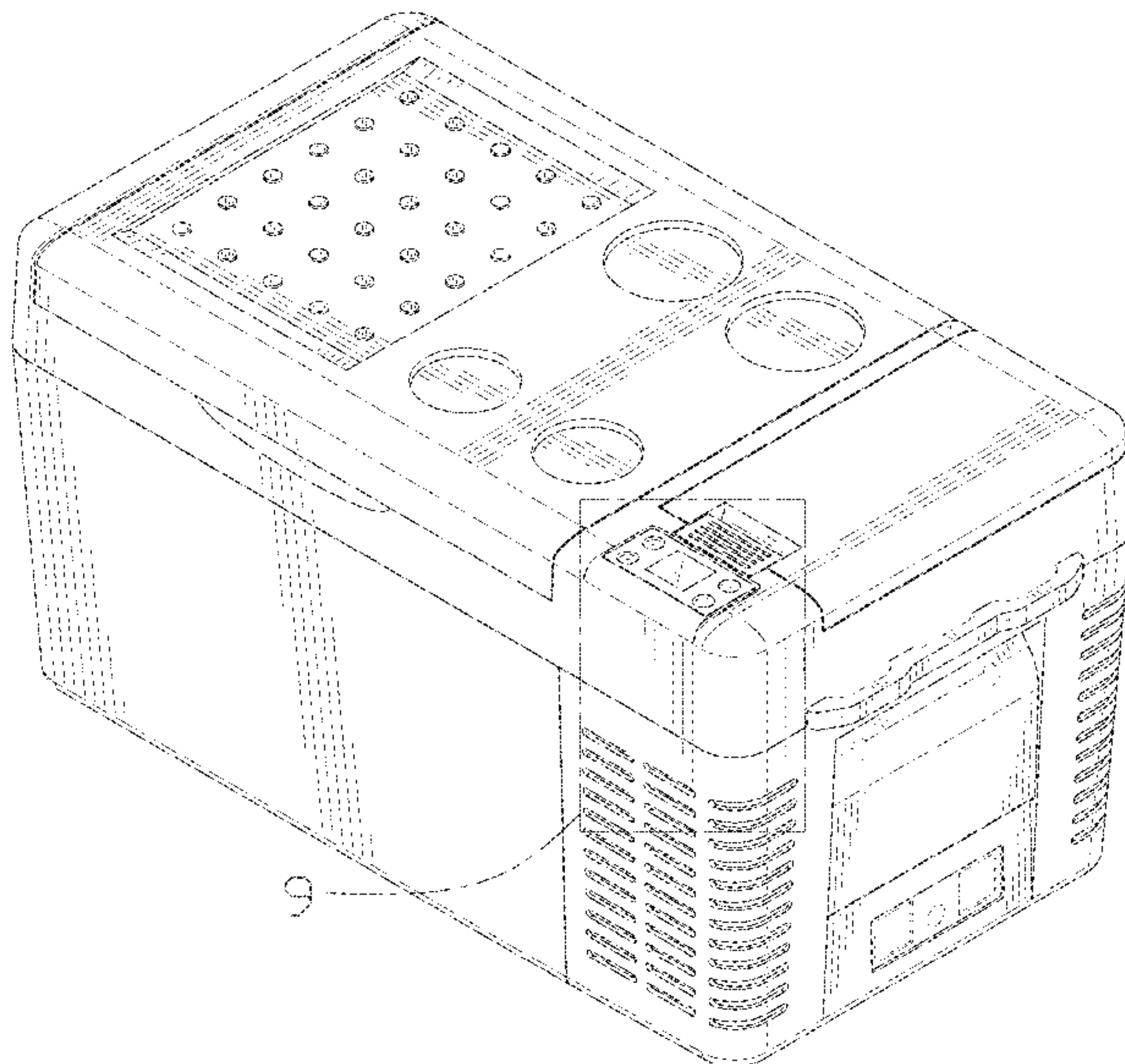
The ornamental design for a refrigerator, as shown and described.

**DESCRIPTION**

FIG. 1 is a front and top perspective view of a refrigerator, showing our new design;  
FIG. 2 is a rear and bottom perspective view thereof;  
FIG. 3 is a front elevation view thereof;  
FIG. 4 is a rear elevation view thereof;  
FIG. 5 is a left side elevation view thereof;  
FIG. 6 is a right side elevation view thereof;  
FIG. 7 is a top plan view thereof;  
FIG. 8 is a bottom plan view thereof;  
FIG. 9 is an enlarged view of a portion indicated with numeric 9 in FIG. 1; and,  
FIG. 10 is another perspective view thereof, shown in an alternative position.

The dashed line in the figures illustrate portions of the refrigerator that form no part of the claimed design. The dash dot dash lines in FIGS. 1 and 9 are for the purpose of depicting the boundary lines of the enlarged view and form no part of the claimed design.

**1 Claim, 10 Drawing Sheets**



(56)

**References Cited**

U.S. PATENT DOCUMENTS

2021/0285716 A1\* 9/2021 Kalajyan ..... B65D 25/20  
2021/0296711 A1\* 9/2021 Zhao ..... H02J 7/0045

\* cited by examiner

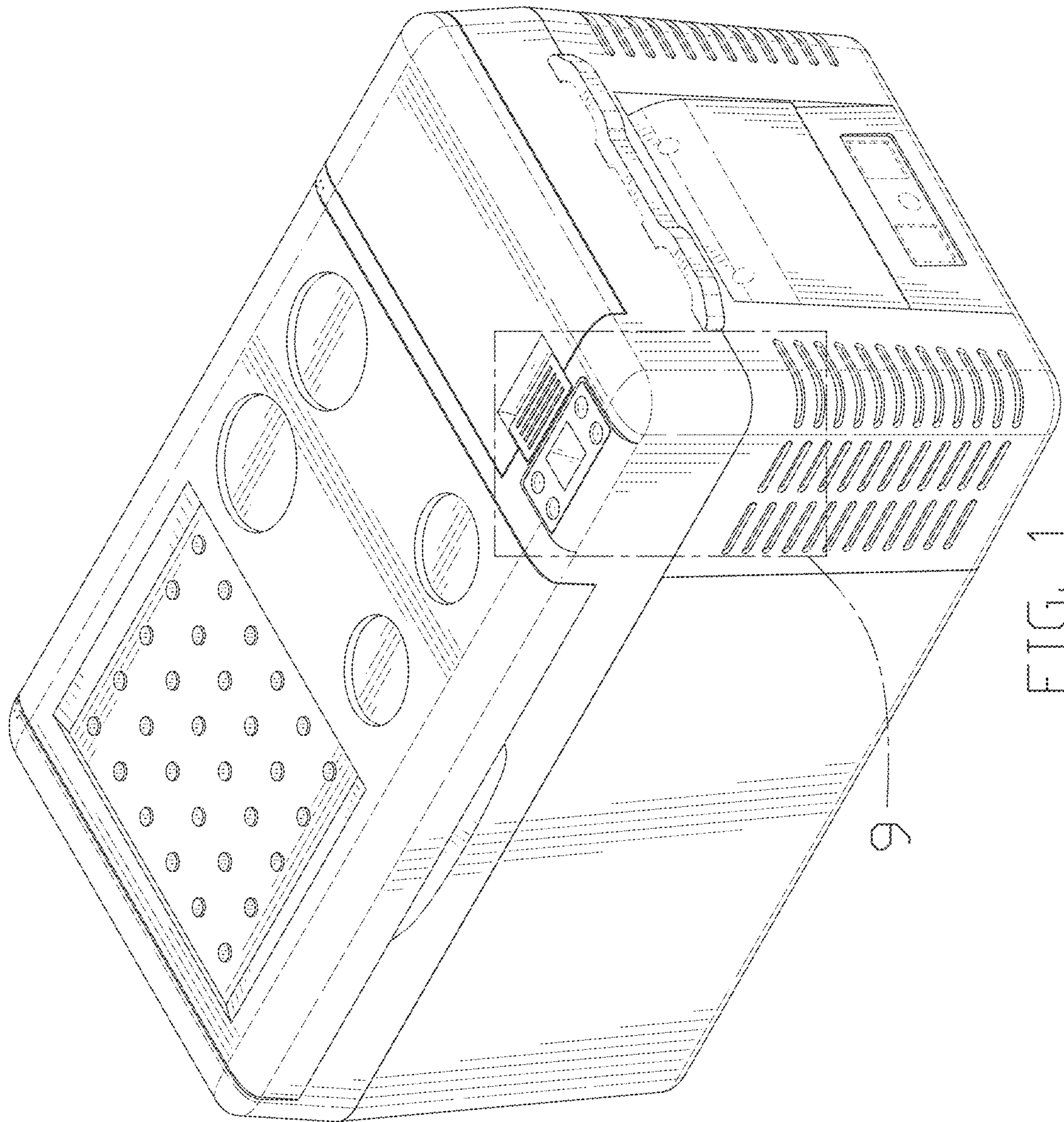


FIG. 1



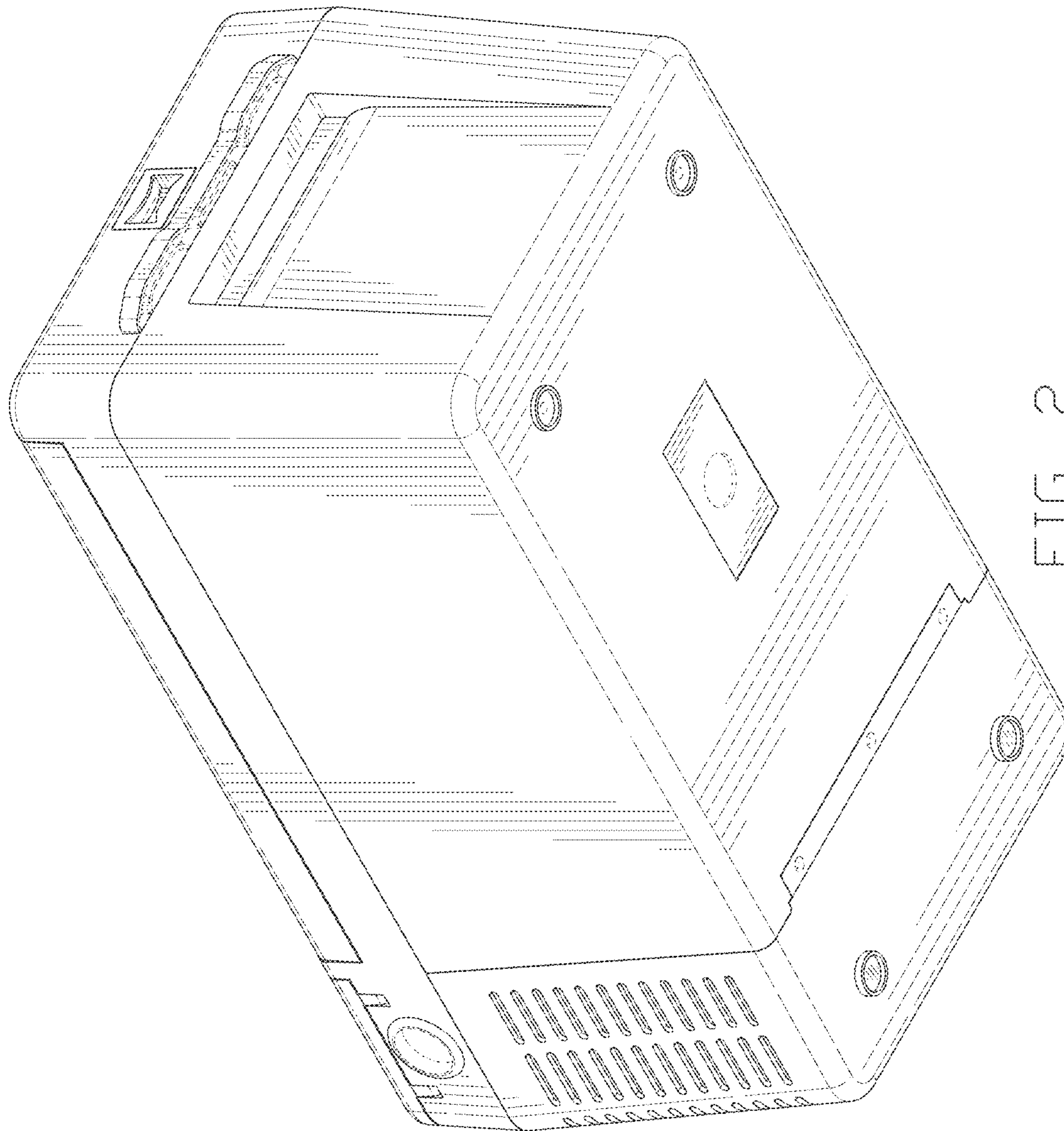


FIG. 2

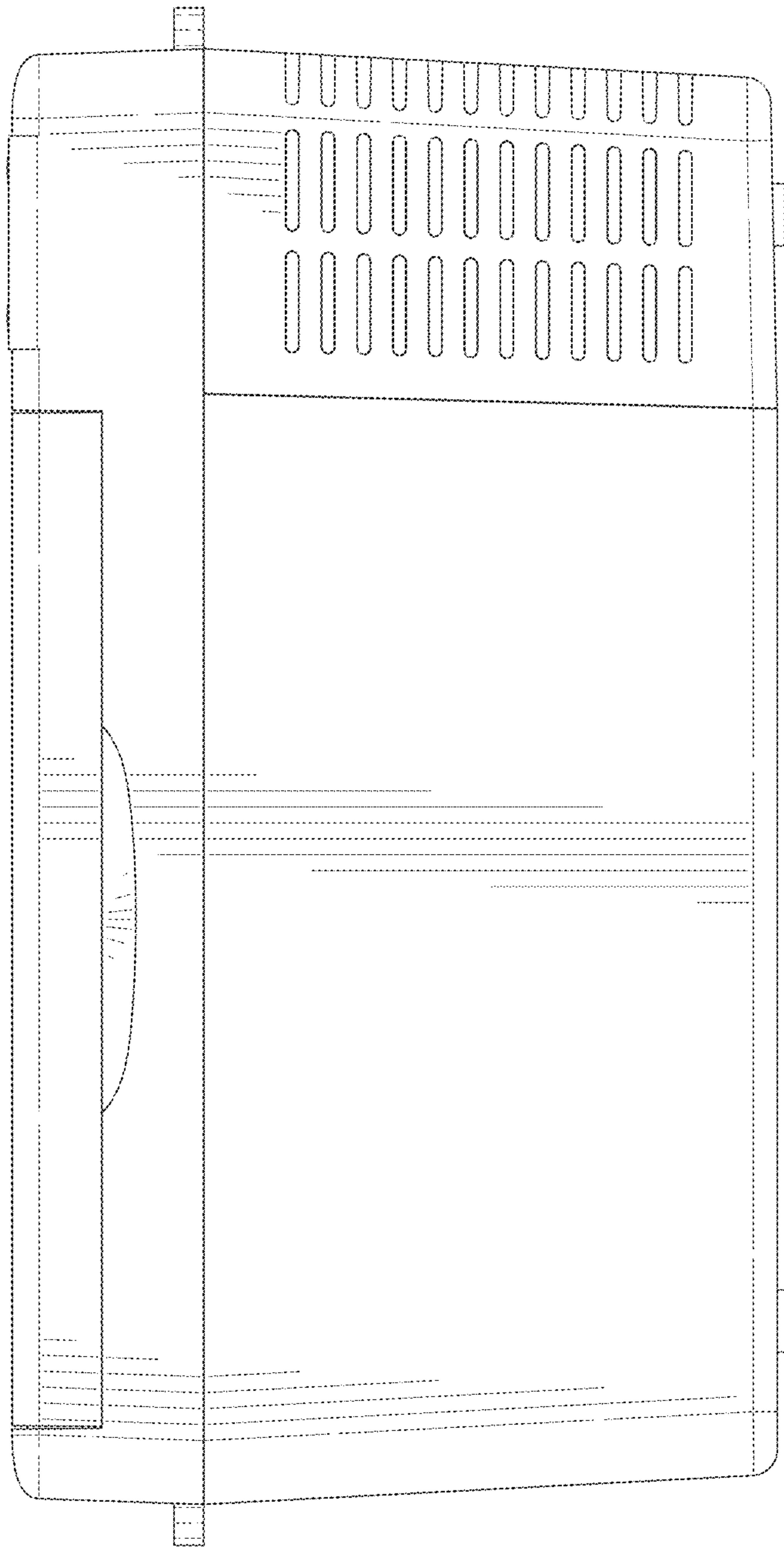


FIG. 3

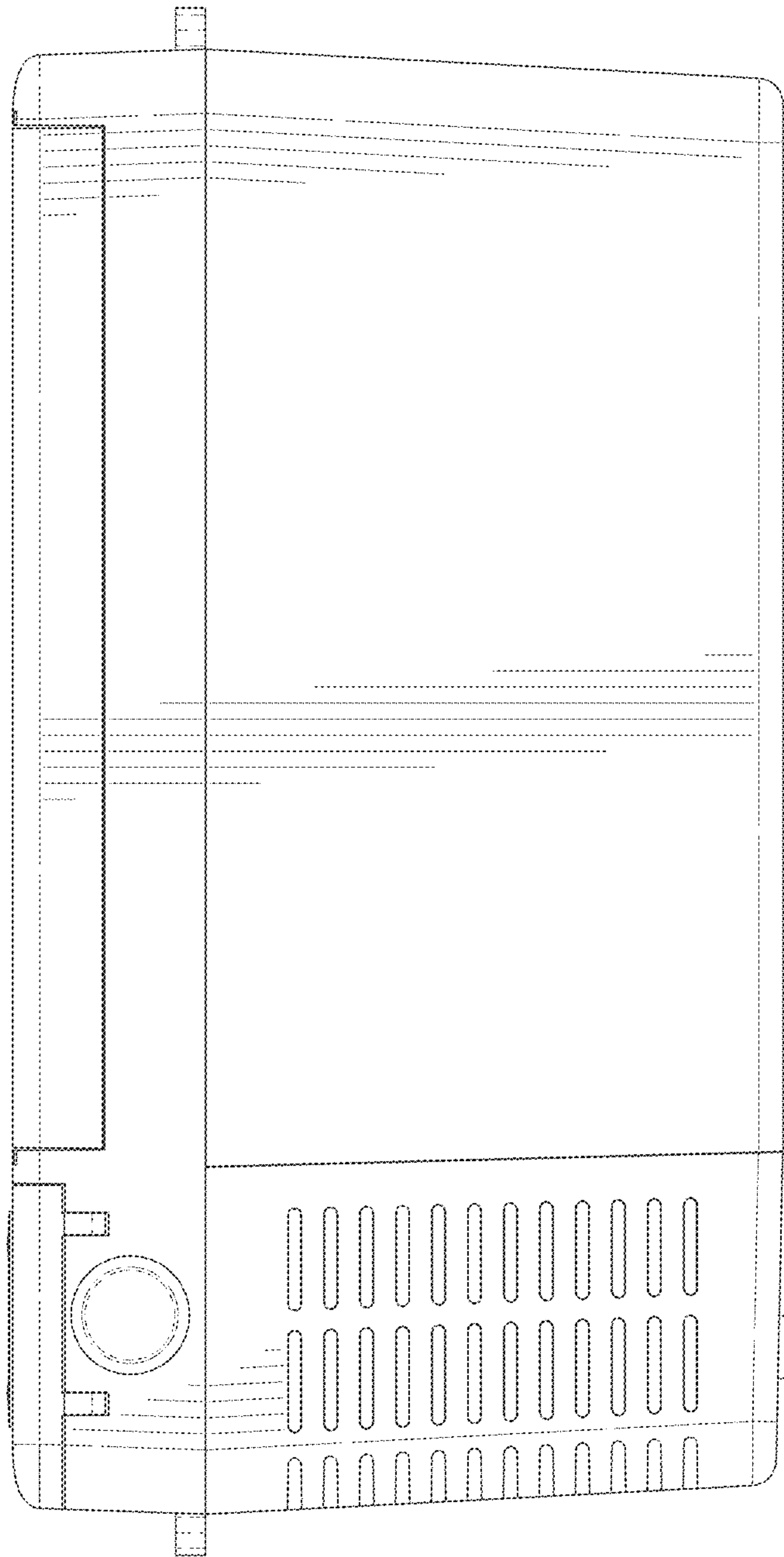


FIG. 4

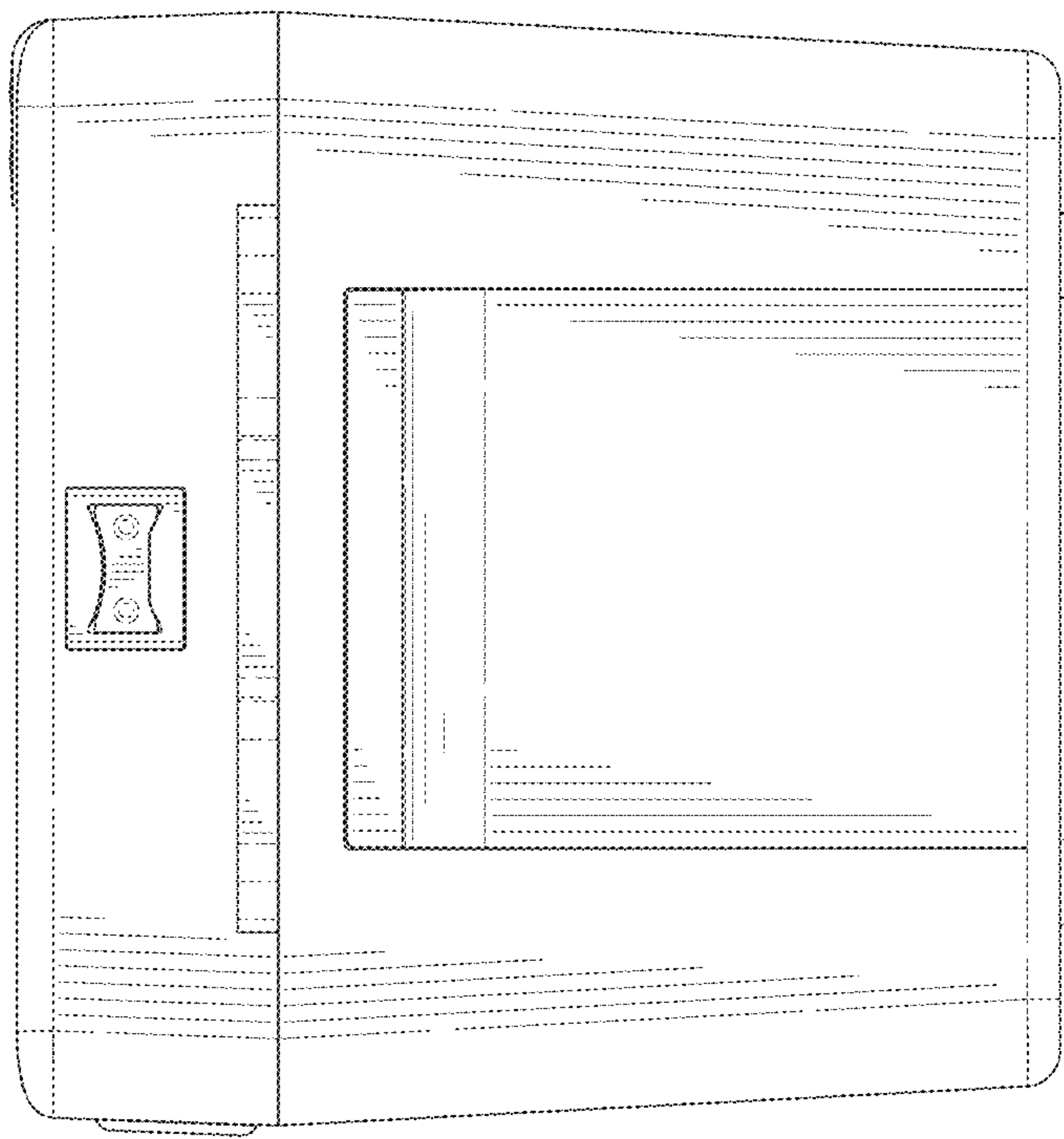


FIG. 5

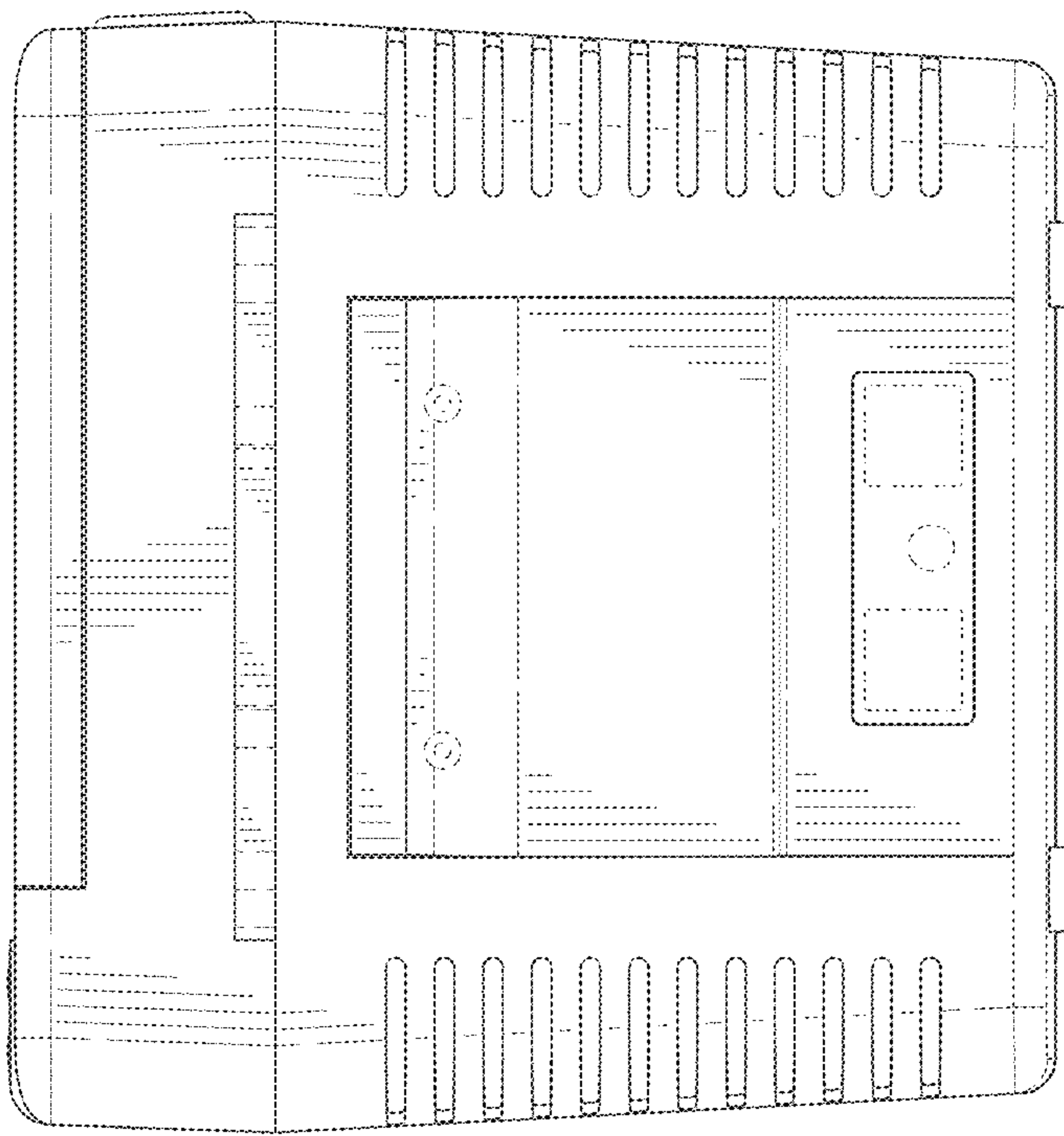


FIG. 6



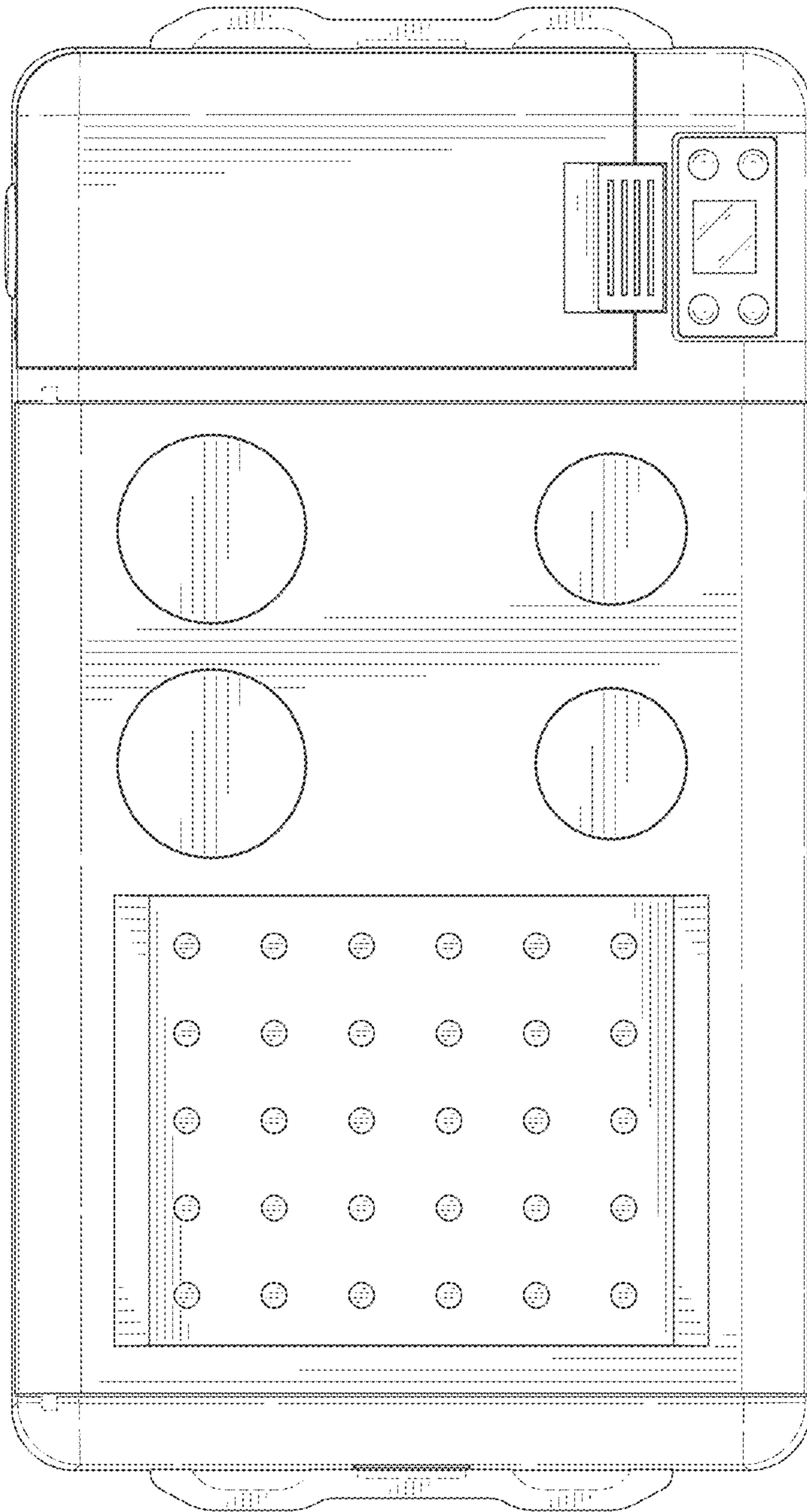


FIG. 7

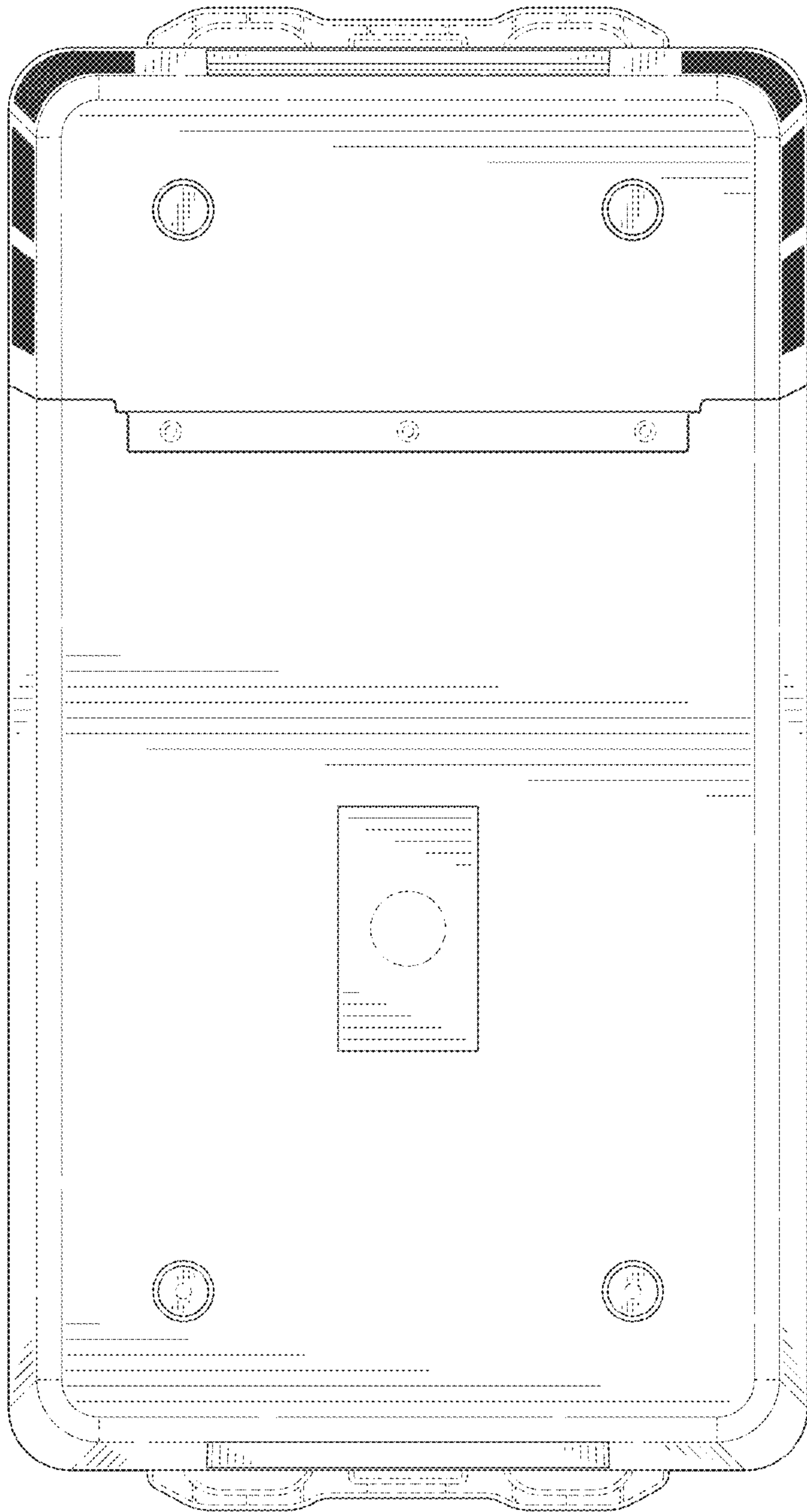


FIG. 8

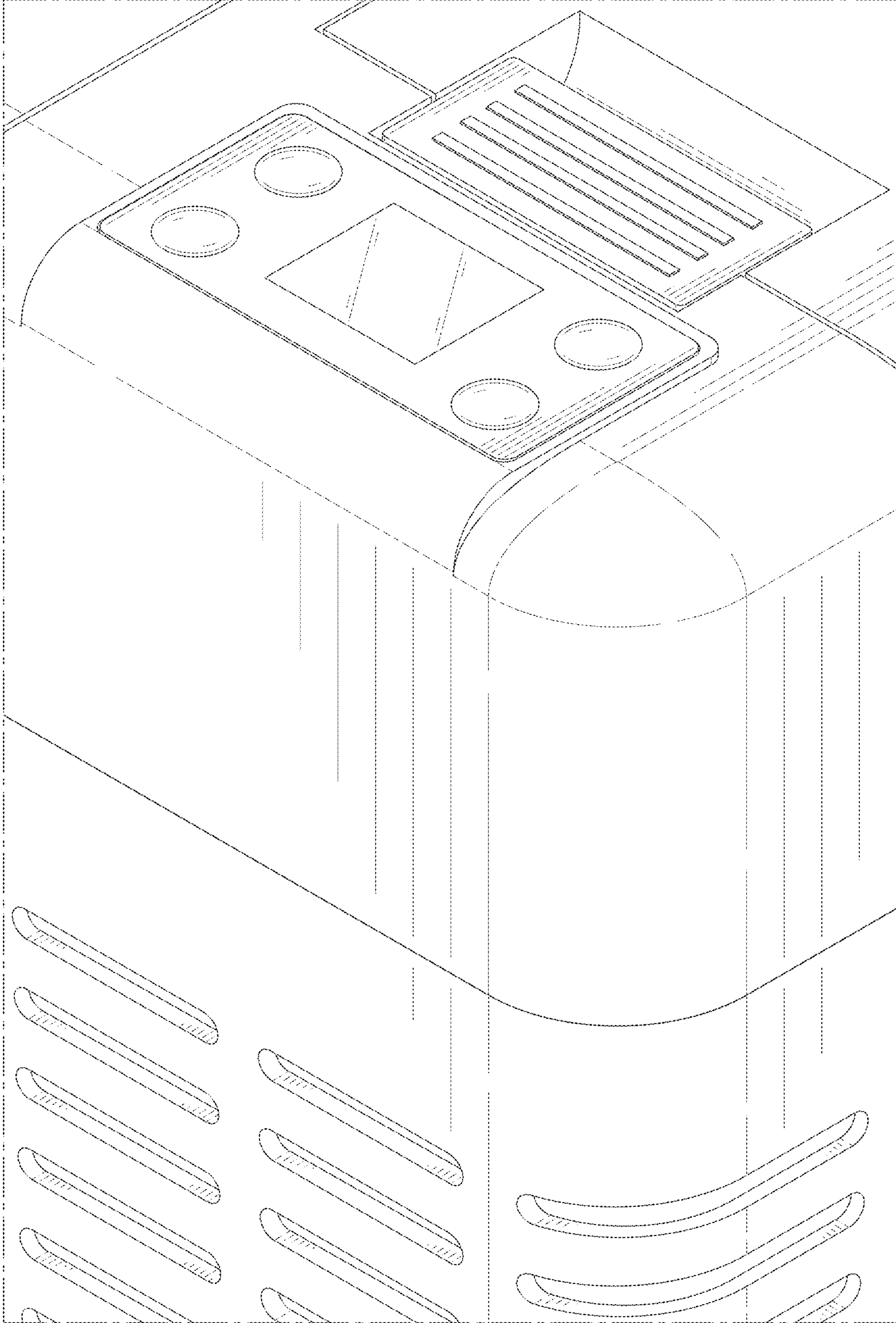


FIG. 9



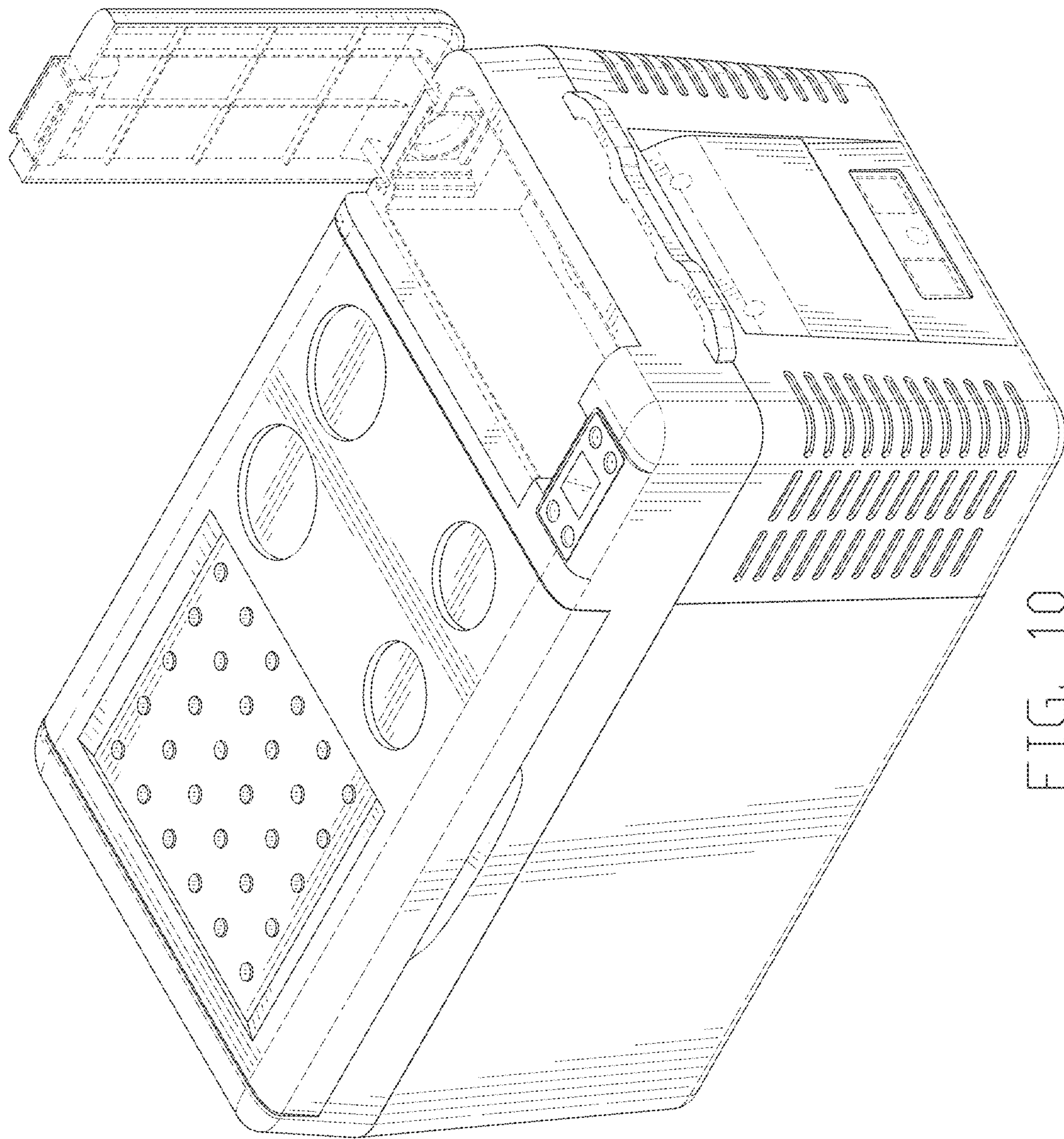


FIG. 10