



US00D966347S

(12) **United States Design Patent** (10) **Patent No.:** **US D966,347 S**
McCaffrey et al. (45) **Date of Patent:** **** Oct. 11, 2022**

(54) **TIP FOR A GROUND ENGAGING MACHINE IMPLEMENT**

(71) Applicant: **Caterpillar Inc.**, Peoria, IL (US)

(72) Inventors: **Brandon McCaffrey**, Peoria, IL (US);
Mihai Balan, Oro Valley, AZ (US)

(73) Assignee: **Caterpillar Inc.**, Peoria, IL (US)

(**) Term: **15 Years**

(21) Appl. No.: **29/831,661**

(22) Filed: **Mar. 22, 2022**

Related U.S. Application Data

(63) Continuation of application No. 29/797,580, filed on Jul. 1, 2021, which is a continuation of application No. 29/743,804, filed on Jul. 24, 2020, now Pat. No. Des. 925,614, which is a continuation of application No. 29/688,803, filed on Apr. 24, 2019, now Pat. No. Des. 894,969.

(51) **LOC (13) Cl.** **15-03**

(52) **U.S. Cl.**
USPC **D15/29**; D15/28

(58) **Field of Classification Search**
USPC D15/11, 28, 29; 37/456, 452, 450, 446, 37/454, 449, 453, 455, 903; 403/379.5, 403/DIG. 1; 111/152; 172/724, 730, 172/766, 770, 771, 721, 713, 699, 772
CPC Y10T 29/49826; Y10T 403/589; Y10T 403/7018; Y10T 403/7075; E02F 9/28; E02F 9/2825; E02F 9/2833; E02F 9/2866; E02F 9/2858; E02F 9/2808; E02F 9/2841
See application file for complete search history.

(56) **References Cited**

U.S. PATENT DOCUMENTS

D274,434 S 6/1984 Nilsson
D275,859 S 10/1984 Nilsson
D417,877 S 12/1999 Launder et al.

6,871,426 B2 3/2005 Keech et al.
D602,505 S 10/2009 Ruvang
D614,206 S 4/2010 Ruvang
D614,207 S 4/2010 Ruvang
8,307,574 B2 11/2012 Ruvang
8,327,563 B2 12/2012 Dingwall et al.
D706,307 S 6/2014 Renski et al.
D707,264 S 6/2014 Renski et al.
8,943,717 B2 2/2015 Renski et al.
D727,367 S 4/2015 Renski et al.
D727,368 S 4/2015 Renski et al.
D727,369 S 4/2015 Renski et al.

(Continued)

FOREIGN PATENT DOCUMENTS

CL 201200897 4/2012
CL 201200898 4/2012

OTHER PUBLICATIONS

U.S. Appl. No. 61/545,107, filed Oct. 7, 2011. (Unpublished).
U.S. Appl. No. 29/797,580, filed Jul. 1, 2021. (Unpublished).

Primary Examiner — Mark A Goodwin

(74) *Attorney, Agent, or Firm* — Saidman Design Law Group

(57) **CLAIM**

The ornamental design for a tip for a ground engaging machine implement, as shown and described.

DESCRIPTION

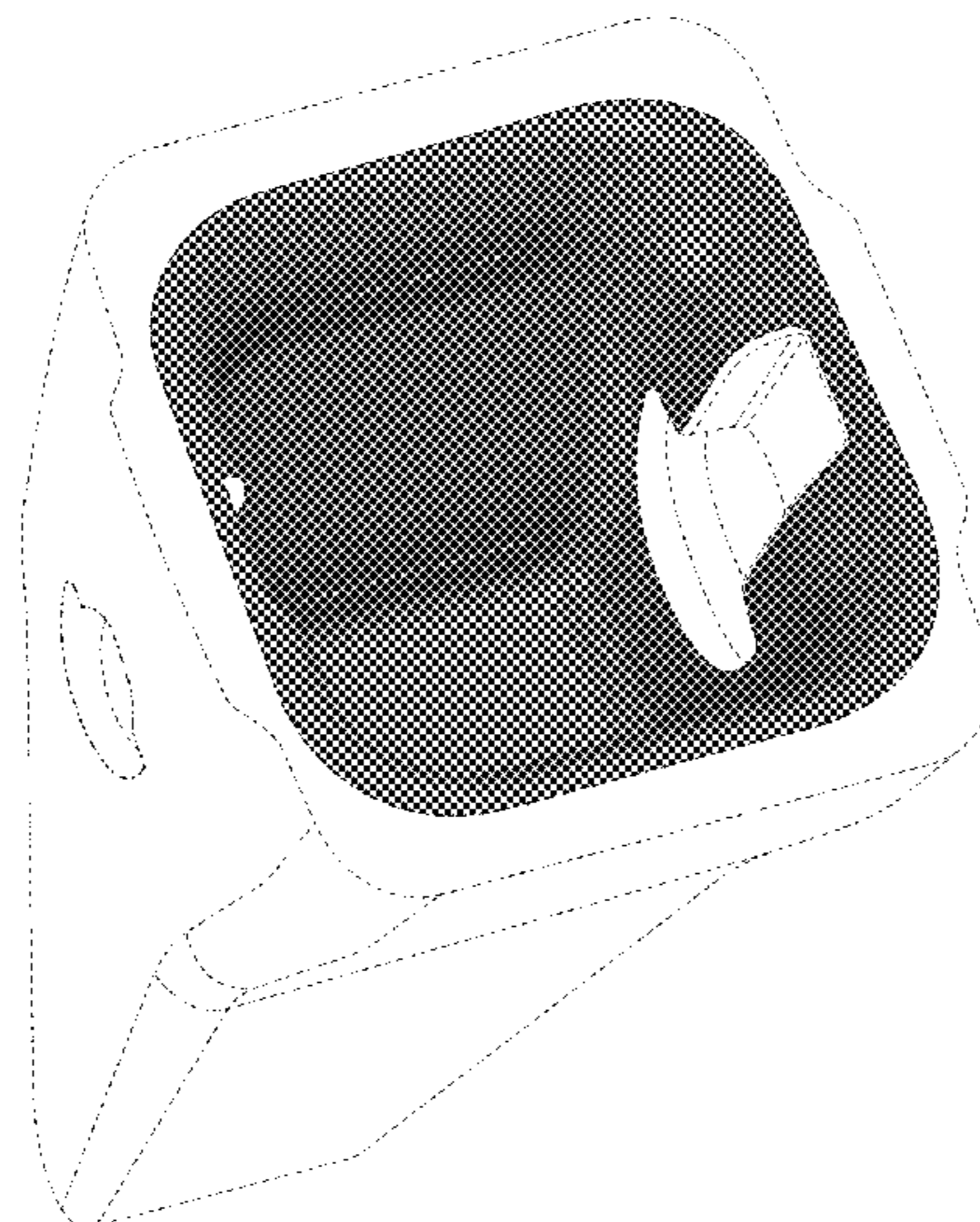
FIG. 1 is a rear perspective view of a tip for a ground engaging machine implement showing our new design; FIG. 2 is a rear view thereof; and, FIG. 3 is a partial sectional view taken along line 3-3 of FIG. 2.

Grayscale shading illustrates contour.

The broken lines illustrate structure or features which form no part of the claimed design.

The dot-dash broken lines illustrate boundaries which form no part of the claimed design.

1 Claim, 2 Drawing Sheets



(56)

References Cited

U.S. PATENT DOCUMENTS

D727,979 S	4/2015	Renski et al.	D803,275 S	11/2017	Serrurier et al.
D727,980 S	4/2015	Renski et al.	D803,898 S	11/2017	Serrurier et al.
D727,981 S	4/2015	Renski et al.	D805,112 S	12/2017	Serrurier et al.
D727,982 S	4/2015	Renski et al.	D805,562 S	12/2017	Serrurier et al.
D728,635 S	5/2015	Kunz	D806,139 S	12/2017	Serrurier et al.
D748,679 S	2/2016	Renski et al.	D806,140 S	12/2017	Serrurier et al.
D748,681 S	2/2016	Renski et al.	D806,141 S	12/2017	Serrurier et al.
D748,685 S	2/2016	Kunz	D806,142 S	12/2017	Serrurier et al.
D749,146 S	2/2016	Renski et al.	D806,759 S	1/2018	Serrurier et al.
D749,147 S	2/2016	Kunz	D832,309 S	10/2018	Balan et al.
D774,108 S	12/2016	Balan et al.	D832,310 S	10/2018	Balan et al.
D774,110 S	12/2016	Balan et al.	D840,441 S	2/2019	Serrurier et al.
D774,565 S	12/2016	Balan et al.	D857,761 S	8/2019	Balan et al.
D774,567 S	12/2016	Balan et al.	D857,762 S	8/2019	Kunz
D775,240 S	12/2016	Balan et al.	D894,968 S	9/2020	McCaffrey et al.
D775,241 S	12/2016	Balan et al.	D894,969 S	9/2020	McCaffrey et al.
D775,242 S	12/2016	Balan et al.	D906,376 S	12/2020	Sinn et al.
D781,354 S	3/2017	Kunz	D925,614 S	7/2021	McCaffrey et al.
D784,424 S	4/2017	Renski et al.	D941,366 S	1/2022	Wells et al.
9,624,651 B2	4/2017	Renski et al.	2004/0010949 A1	1/2004	Laguarda et al.
D790,606 S	6/2017	Balan et al.	2012/0131821 A1	5/2012	Brufau Guinovart et al.
D790,607 S	6/2017	Balan et al.	2012/0260540 A1	10/2012	Guimaraes et al.
D803,274 S	11/2017	Serrurier et al.	2013/0333254 A1	12/2013	Wallis et al.
			2014/0259806 A1	9/2014	Rimmey
			2014/0259808 A1	9/2014	LaHood et al.
			2015/0167278 A1	6/2015	Rivera et al.
			2017/0328036 A1	11/2017	Bilal et al.
			2018/0080200 A1	3/2018	Hughes
			2020/0340216 A1	10/2020	McCaffrey et al.
			2020/0340217 A1	10/2020	McCaffrey et al.

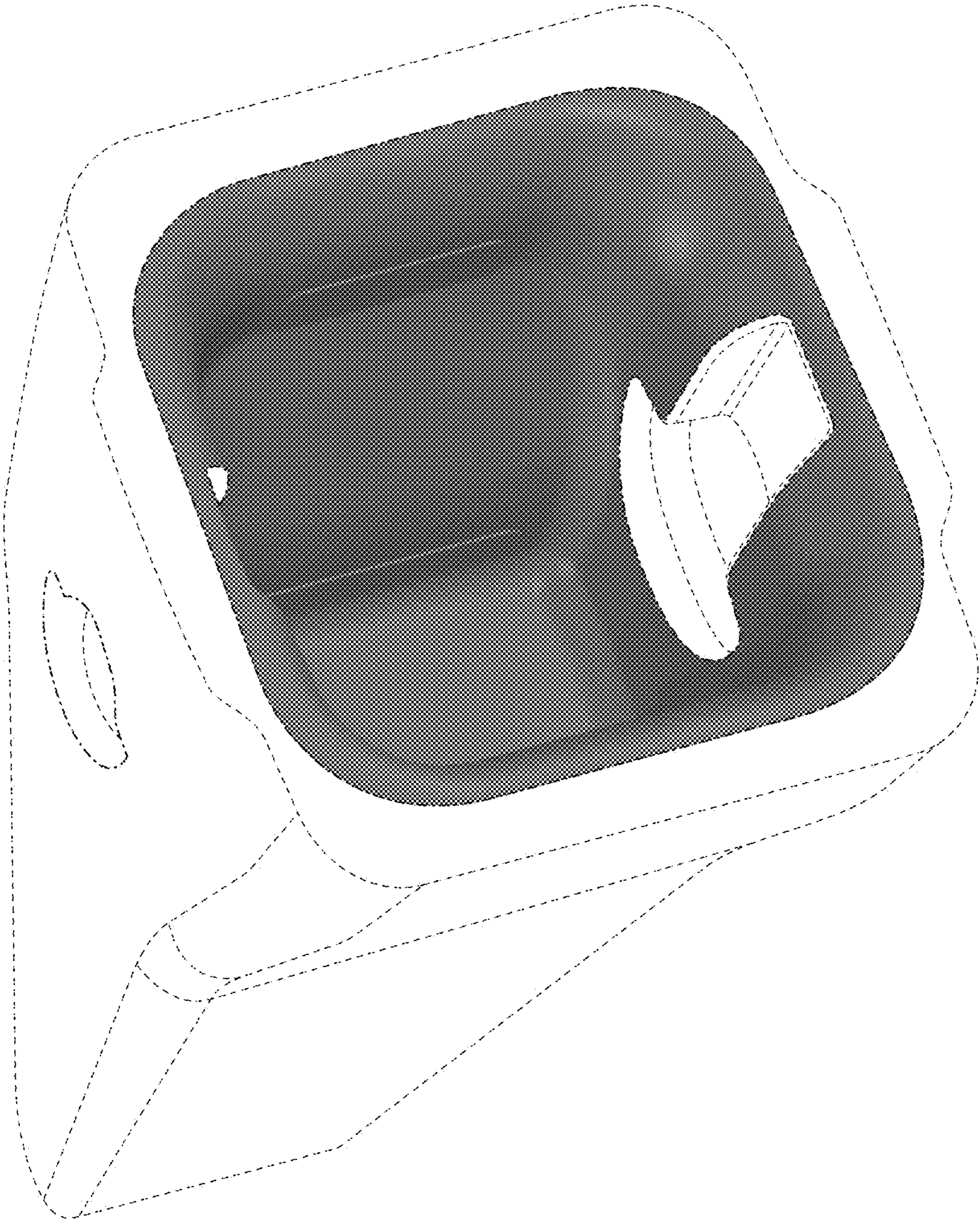


FIG. 1

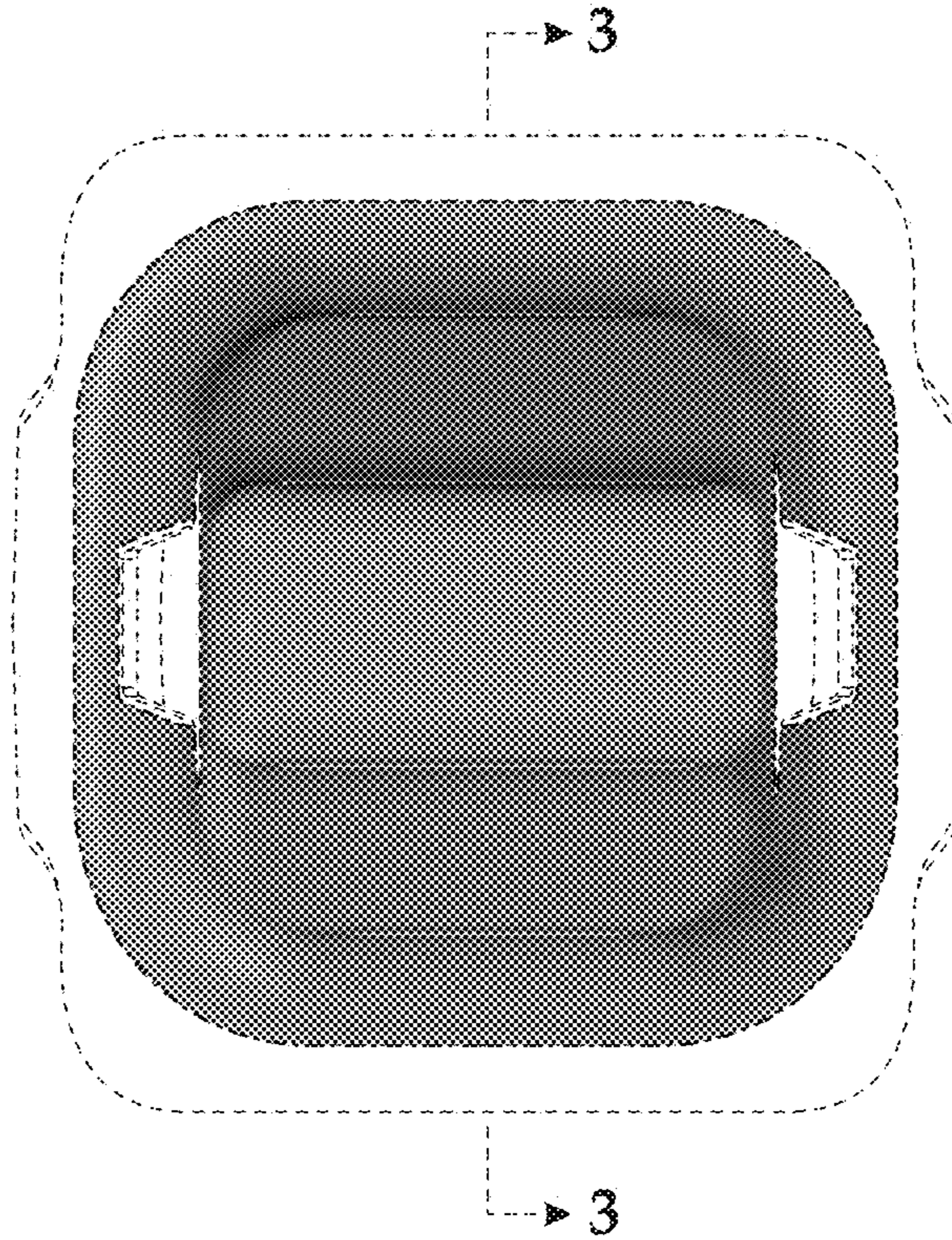


FIG. 2

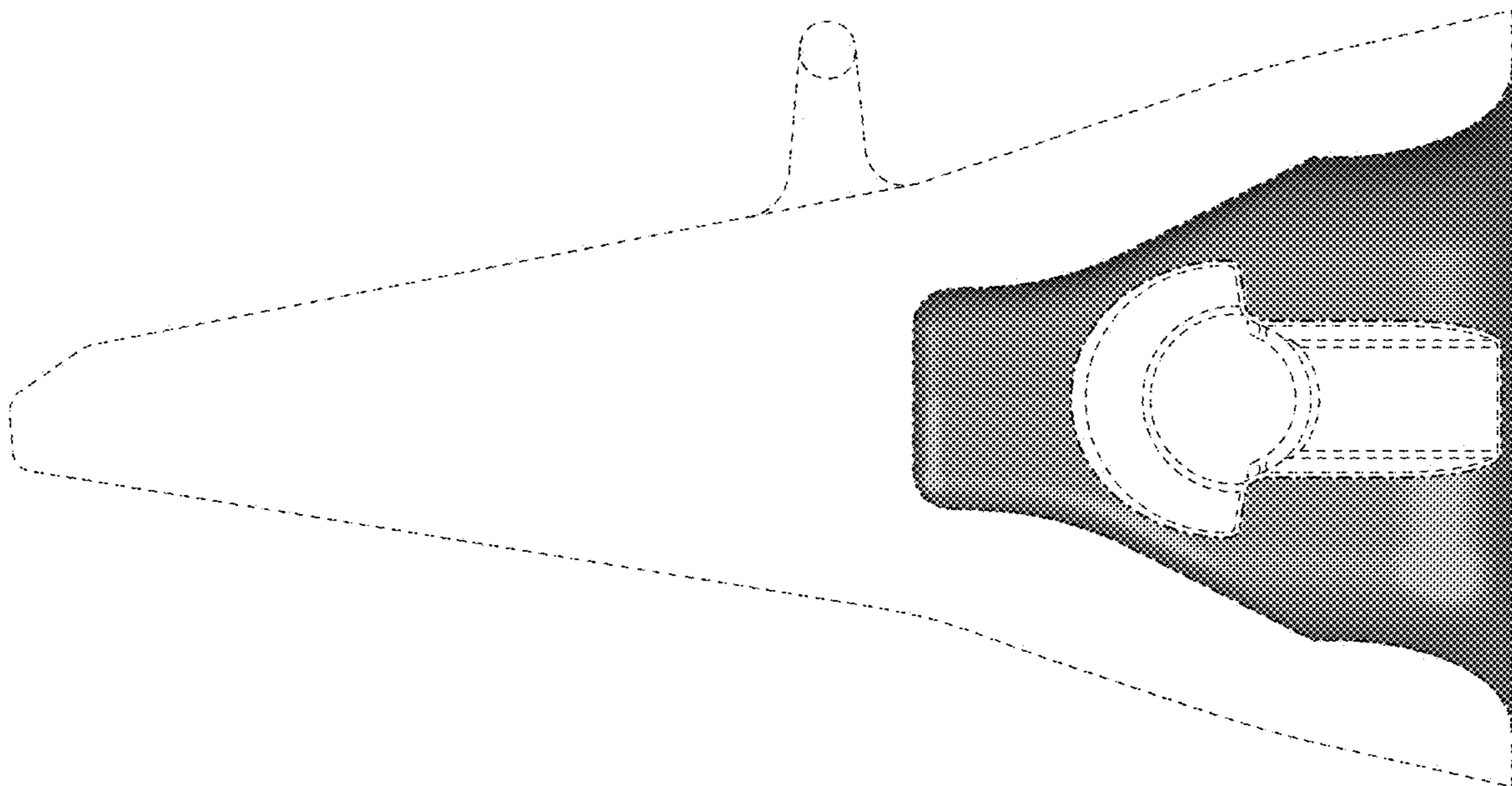


FIG. 3