



US00D966344S

(12) **United States Design Patent** (10) **Patent No.:** **US D966,344 S**  
**Esqueda et al.** (45) **Date of Patent:** **\*\* Oct. 11, 2022**

(54) **LOADER ARMS**

(71) Applicant: **DEERE & COMPANY**, Moline, IL (US)

(72) Inventors: **Daniel Esqueda**, San Pedro (MX); **Jorge Cantu**, Monterrey (MX); **Mauricio de la Garza**, Monterrey (MX); **Jose Angel Diaz**, Monterrey (MX); **Diego Adrian Villarreal Mendez**, Guadalupe (MX)

(73) Assignee: **DEERE & COMPANY**, Moline, IL (US)

(\*\*) Term: **15 Years**

(21) Appl. No.: **29/822,205**

(22) Filed: **Jan. 6, 2022**

**Related U.S. Application Data**

(62) Division of application No. 29/721,844, filed on Jan. 23, 2020, now Pat. No. Des. 943,641.

(51) **LOC (13) Cl.** ..... **15-03**

(52) **U.S. Cl.**  
USPC ..... **D15/28**

(58) **Field of Classification Search**  
USPC ..... D15/10, 22-26, 28, 29, 32  
(Continued)

(56) **References Cited**

**U.S. PATENT DOCUMENTS**

4,576,543 A \* 3/1986 Kuchyt ..... E02F 3/6273  
414/722  
D459,368 S \* 6/2002 Westendorf ..... D15/32  
(Continued)

**FOREIGN PATENT DOCUMENTS**

CN 301895232 S 4/2012  
EP 1799917 B1 10/2014  
(Continued)

*Primary Examiner* — Mark A Goodwin

(74) *Attorney, Agent, or Firm* — Michael Best & Friedrich LLP

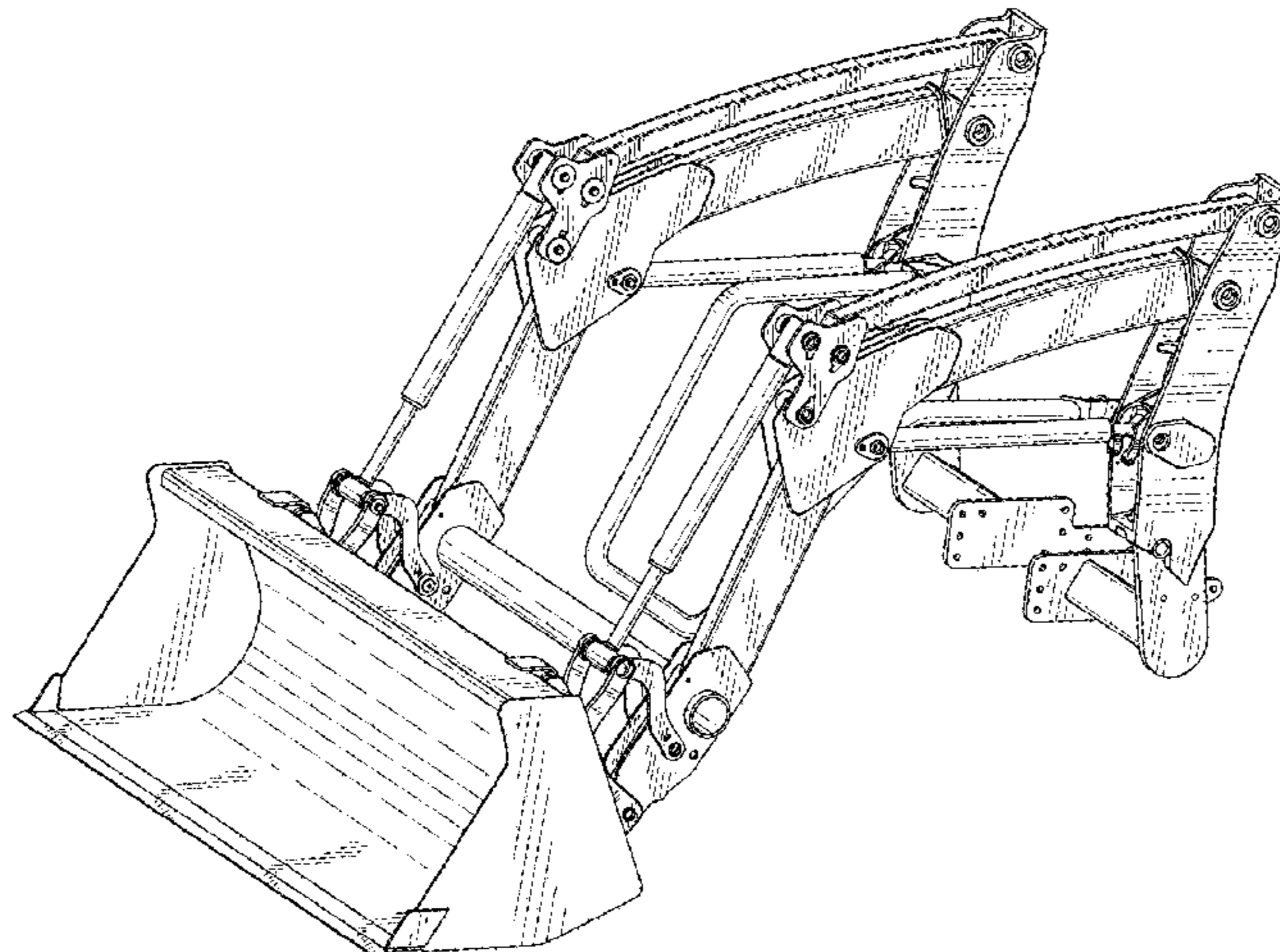
(57) **CLAIM**

We claim the ornamental design for loader arms, as shown and described.

**DESCRIPTION**

FIG. 1 is a top-front-left perspective view of loader arms. FIG. 2 is a top-front-right perspective view of the loader arms shown in FIG. 1. FIG. 3 is a top-rear-right perspective view of the loader arms shown in FIG. 1. FIG. 4 is a top-rear-left perspective view of the loader arms shown in FIG. 1. FIG. 5 is a bottom-front-left perspective view of the loader arms shown in FIG. 1. FIG. 6 is a bottom-front-right perspective view of the loader arms shown in FIG. 1. FIG. 7 is a bottom-rear-left perspective view of the loader arms shown in FIG. 1. FIG. 8 is a bottom-rear-right perspective view of the loader arms shown in FIG. 1. FIG. 9 is a left side elevation view of the loader arms shown in FIG. 1. FIG. 10 is a right side elevation view of the loader arms shown in FIG. 1. FIG. 11 is a front elevation view of the loader arms shown in FIG. 1. FIG. 12 is a rear elevation view of the loader arms shown in FIG. 1. FIG. 13 is a top plan view of the loader arms shown in FIG. 1; and, FIG. 14 is a bottom plan view of the loader arms shown in FIG. 1.

**1 Claim, 14 Drawing Sheets**



(58) **Field of Classification Search**

CPC ..... E02F 3/22; E02F 3/34; E02F 3/28; E02F  
 3/3405; E02F 3/3414; E02F 3/627; E02F  
 9/006; E02F 9/2275; E02F 9/14; E02F  
 9/22; Y10T 29/49622; B66F 19/00; B66F  
 9/22

See application file for complete search history.

D769,335 S	10/2016	Esqueda et al.	
D788,184 S *	5/2017	Okuyama .....	D15/32
D832,895 S *	11/2018	Dekker .....	D15/28
D840,439 S *	2/2019	Schlesser .....	D15/28
D840,440 S *	2/2019	Schwalbe .....	D15/28
D923,062 S *	6/2021	Park .....	D15/32
D943,641 S *	2/2022	Esqueda .....	D15/28
2004/0228717 A1 *	11/2004	Perrin .....	A01B 59/062 414/723
2007/0020078 A1 *	1/2007	Frey .....	E02F 3/38 414/686
2007/0031233 A1 *	2/2007	Frey .....	E02F 3/422 414/685
2007/0217899 A1 *	9/2007	Sakada .....	E02F 3/3408 414/722
2008/0063502 A1 *	3/2008	Nilsson .....	E02F 9/2275 414/685
2008/0193269 A1 *	8/2008	Sakada .....	E02F 3/38 414/722

(56)

**References Cited**

U.S. PATENT DOCUMENTS

D528,569 S	9/2006	Nilsson	
D529,053 S *	9/2006	Stender .....	D15/32
D538,829 S	3/2007	Nilsson	
D584,749 S *	1/2009	Smith .....	D15/28
D595,746 S *	7/2009	Iida .....	D15/28
D610,172 S *	2/2010	Yukino .....	D15/28
D628,604 S *	12/2010	Major .....	D15/28
D649,170 S *	11/2011	Barba .....	D15/28
D649,171 S *	11/2011	Barba .....	D15/28
D656,164 S	3/2012	Nilsson	
D656,523 S	3/2012	Nilsson	
D672,372 S	12/2012	Nilsson	
D672,373 S	12/2012	Nilsson	
D739,446 S *	9/2015	Nilsson .....	D15/32
D766,342 S	9/2016	Esqueda et al.	
D766,343 S	9/2016	Linan et al.	
D768,731 S	10/2016	Esqueda et al.	

FOREIGN PATENT DOCUMENTS

JP	D1269884 S	5/2006
JP	D1446192 S	7/2012
JP	D1475371 S	7/2013
JP	D1533480 S	9/2015
KR	300856411 S	5/2016
KR	300883662 S	12/2016

\* cited by examiner

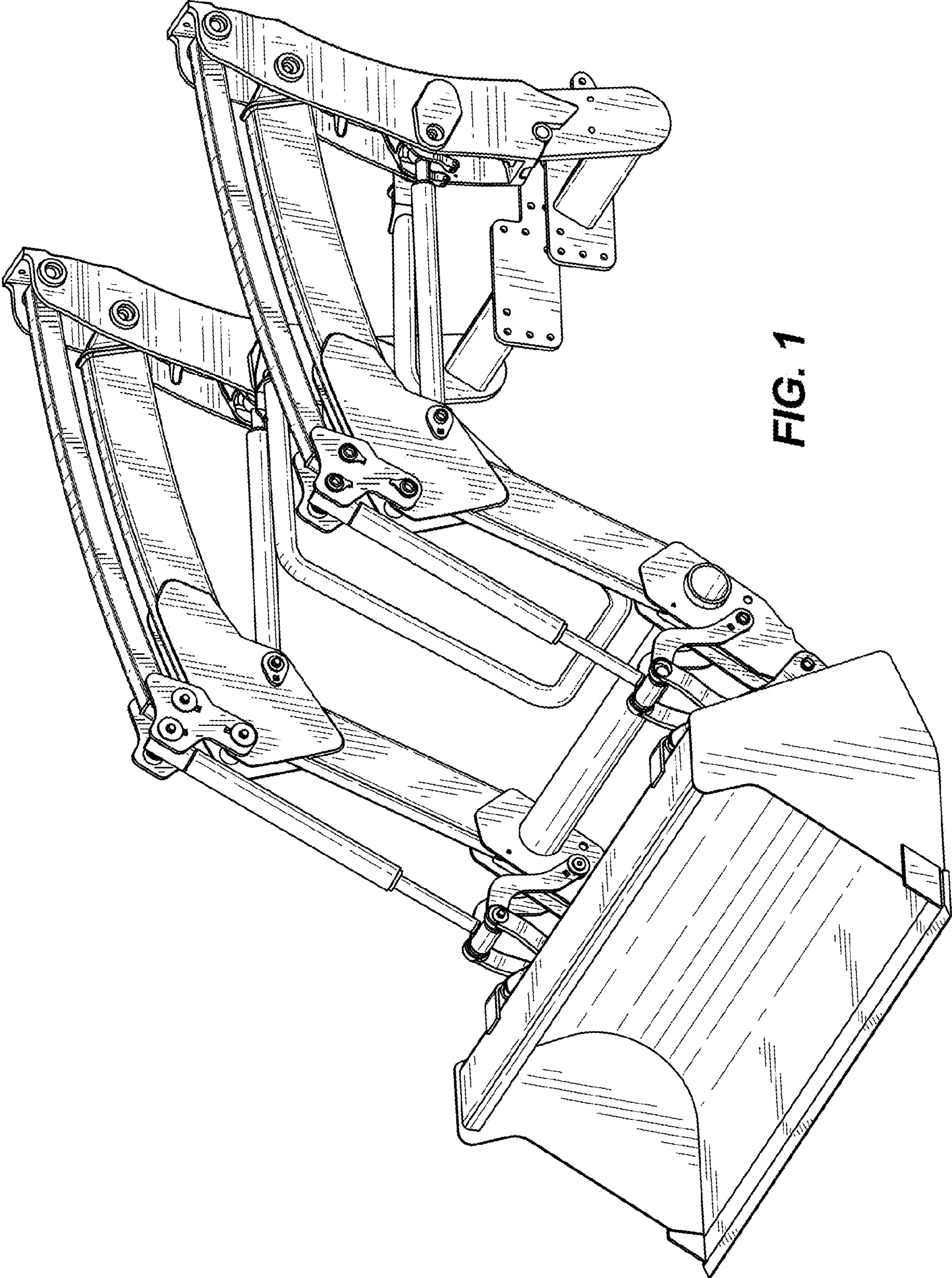


FIG. 1

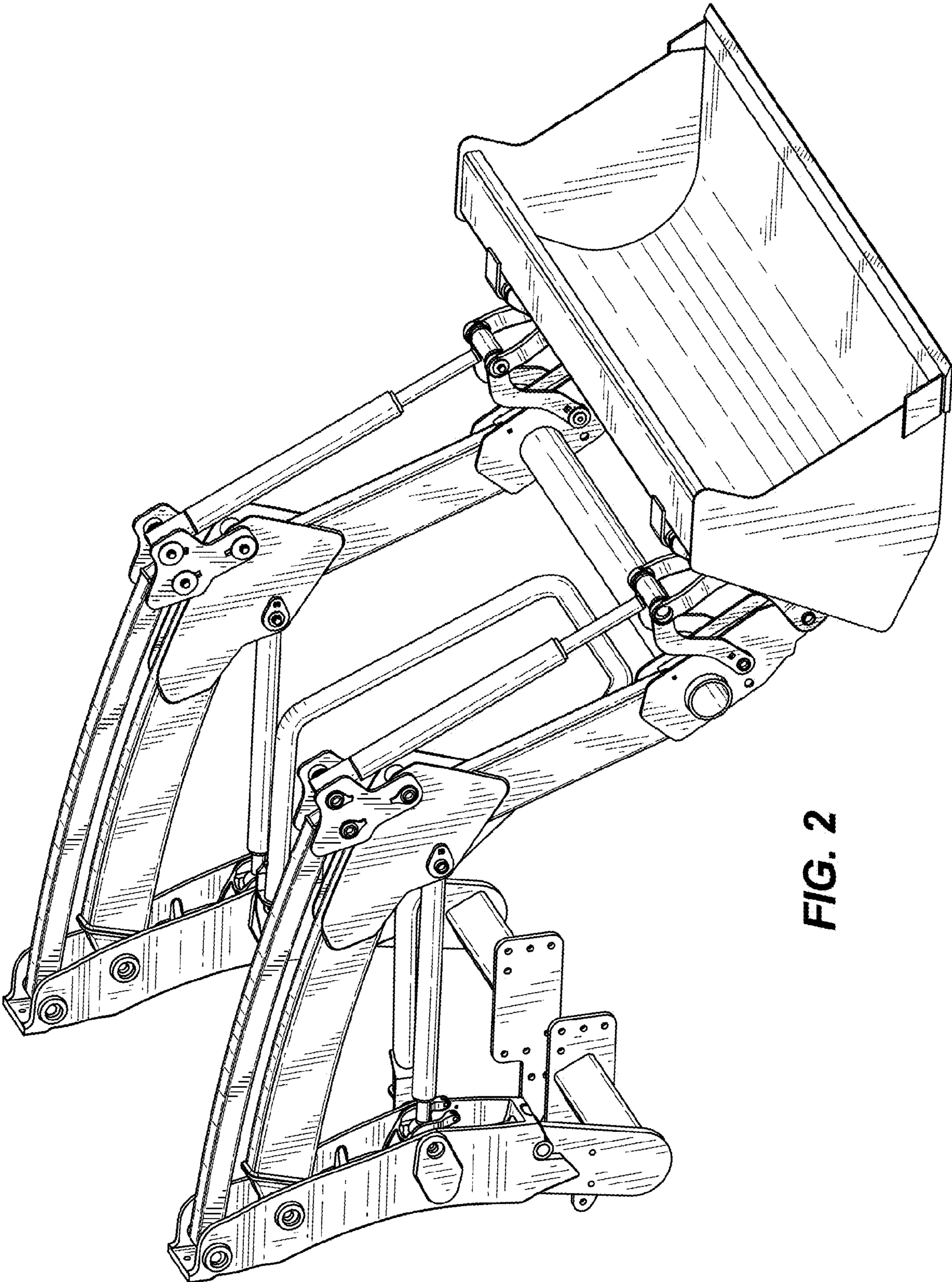
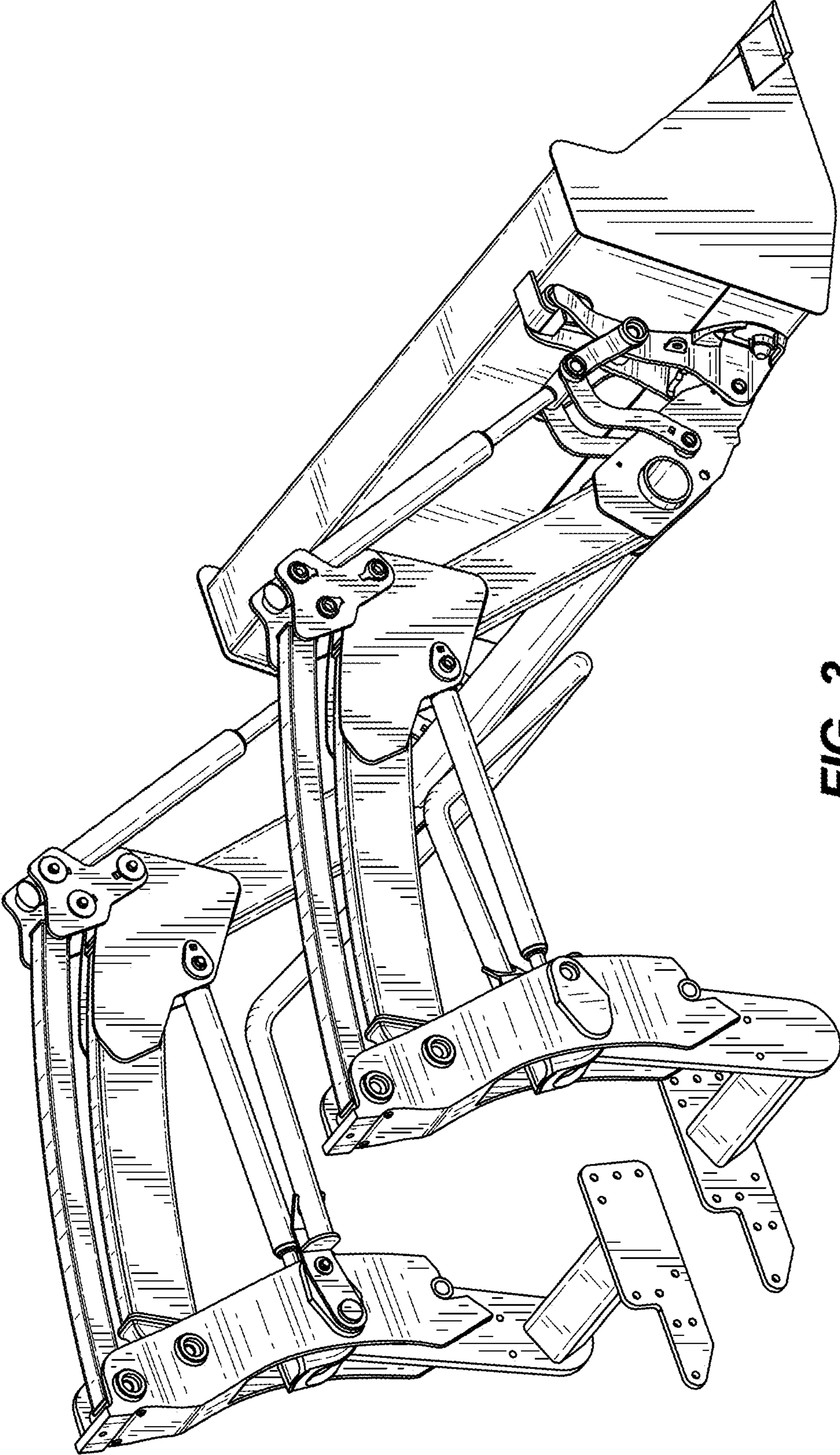
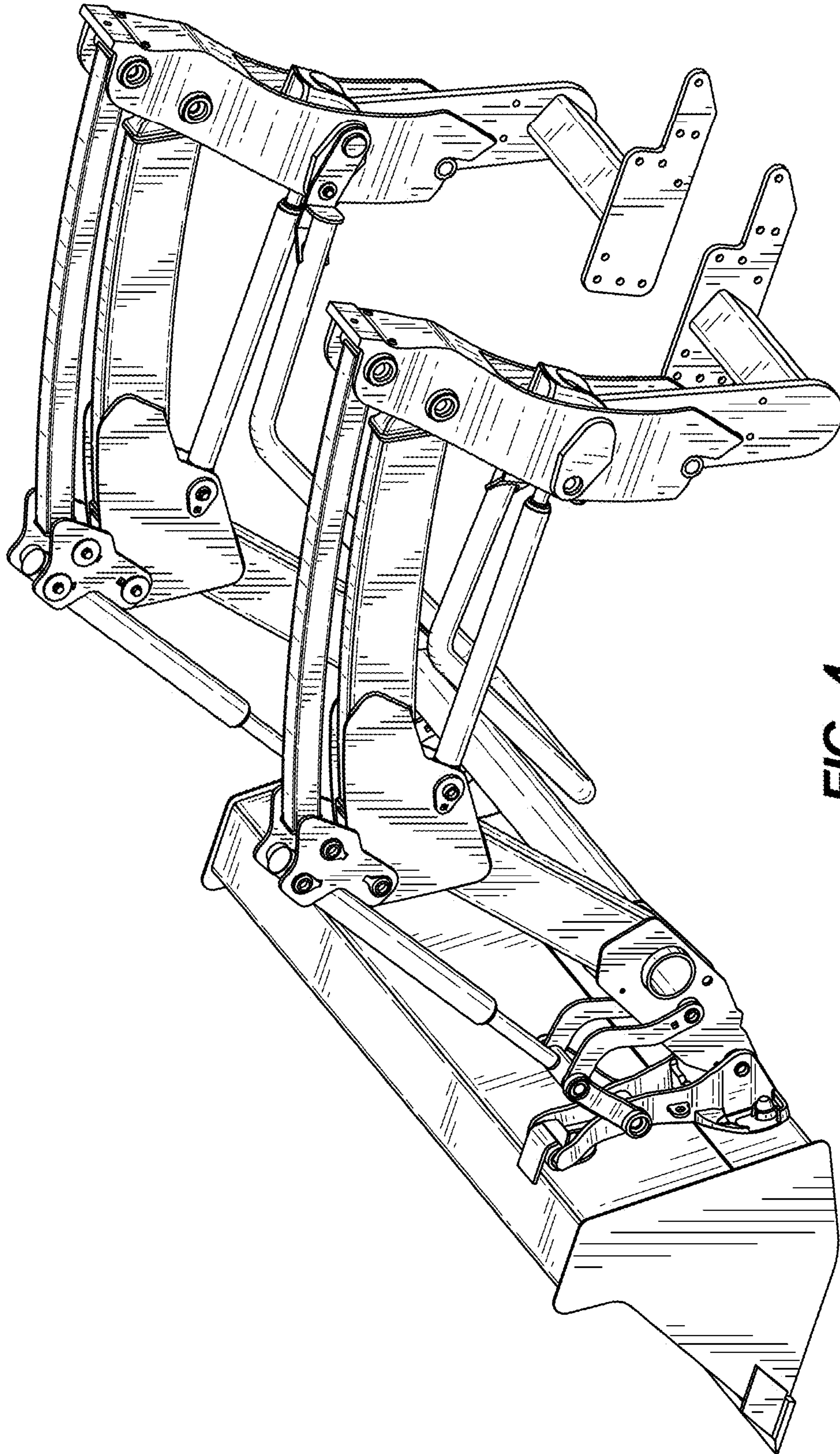


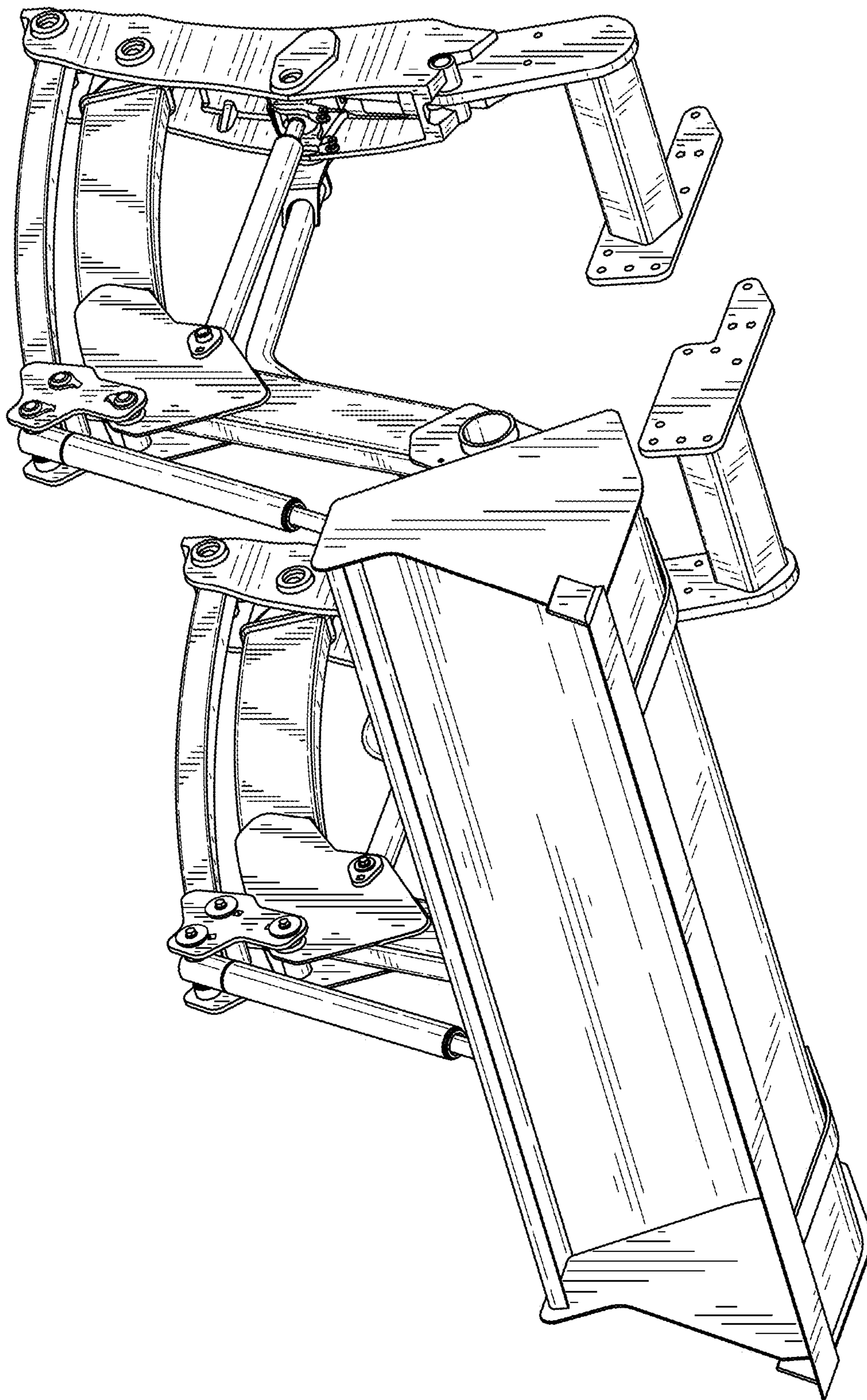
FIG. 2



**FIG. 3**



**FIG. 4**



**FIG. 5**

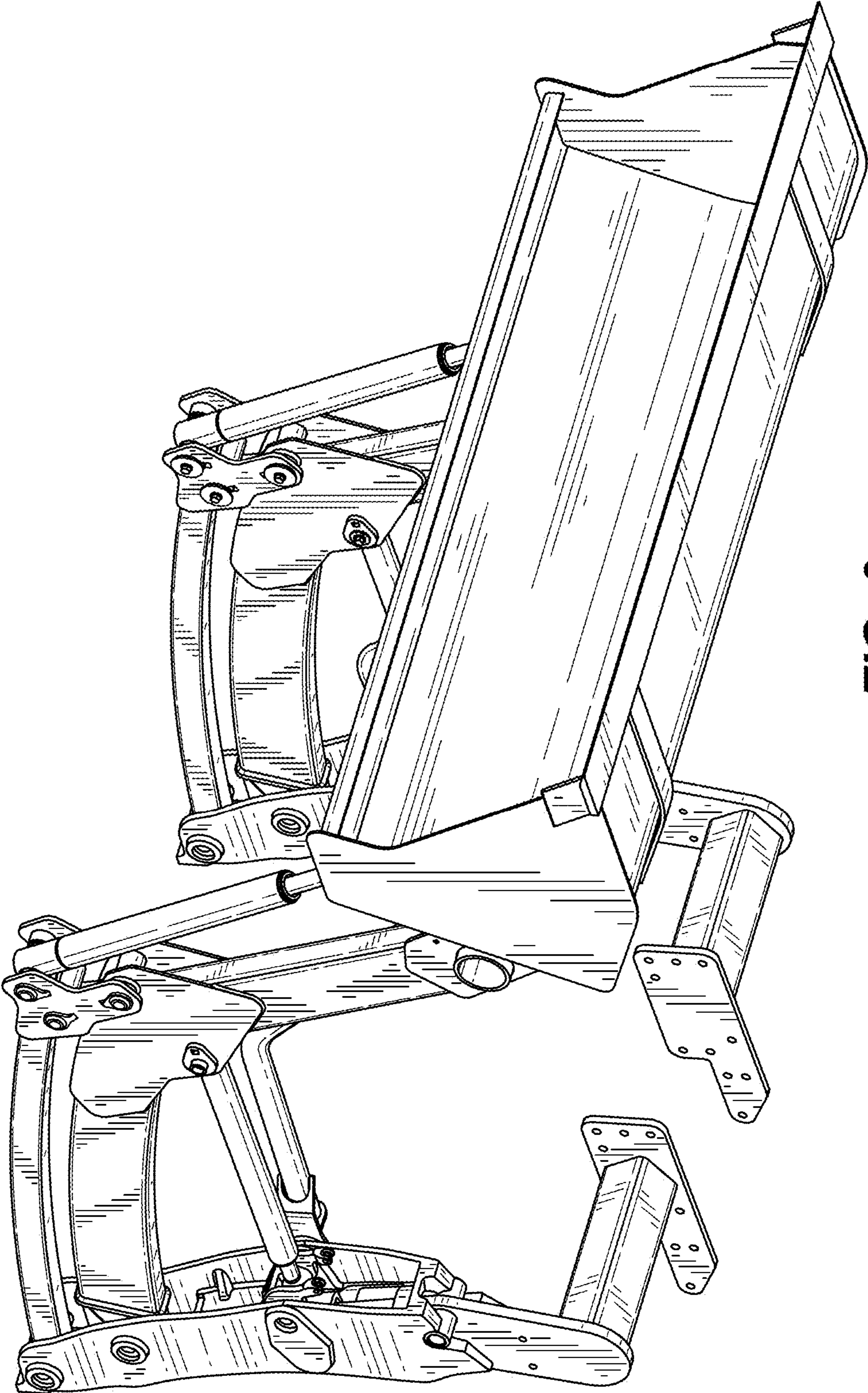


FIG. 6



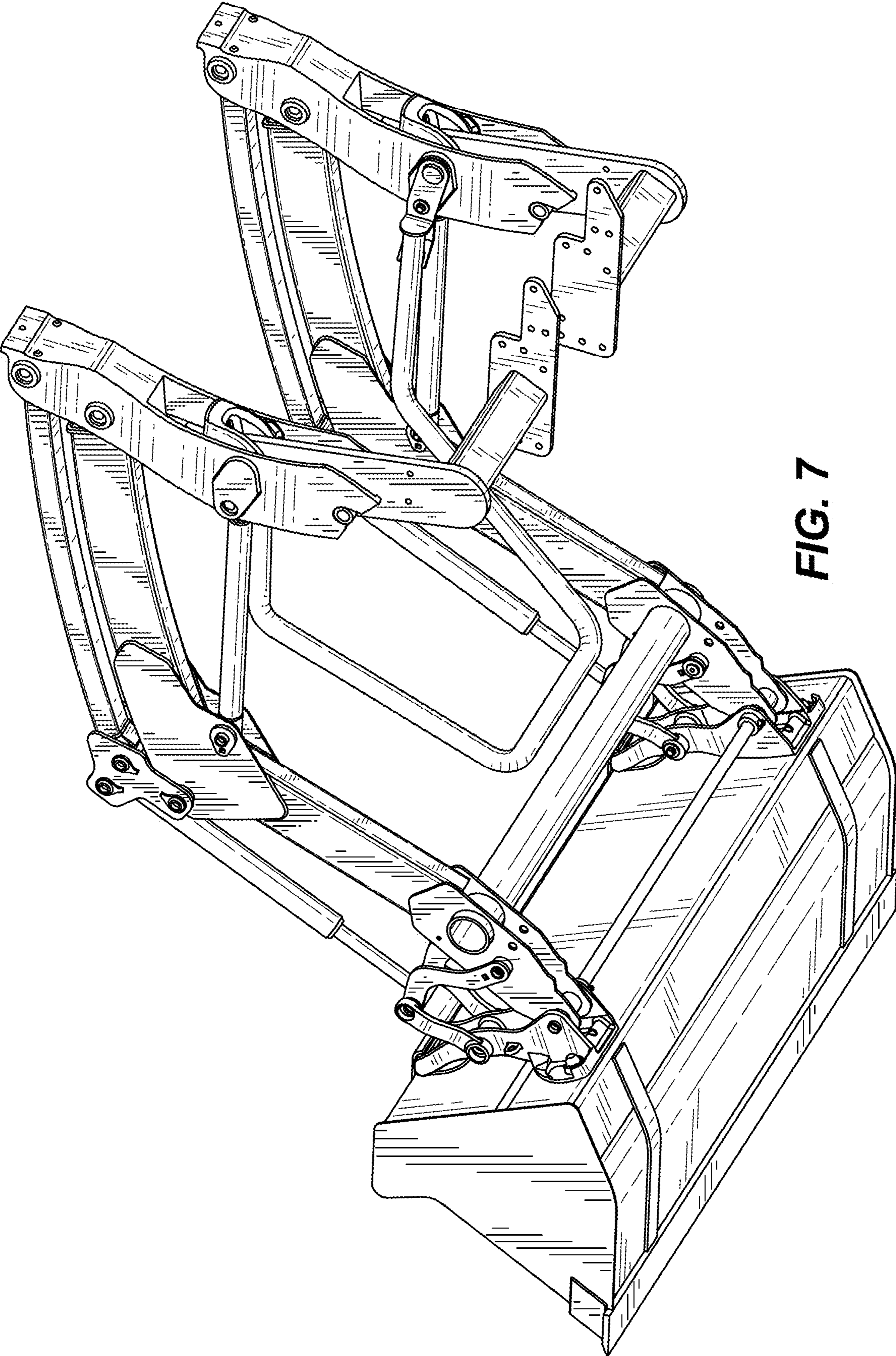


FIG. 7

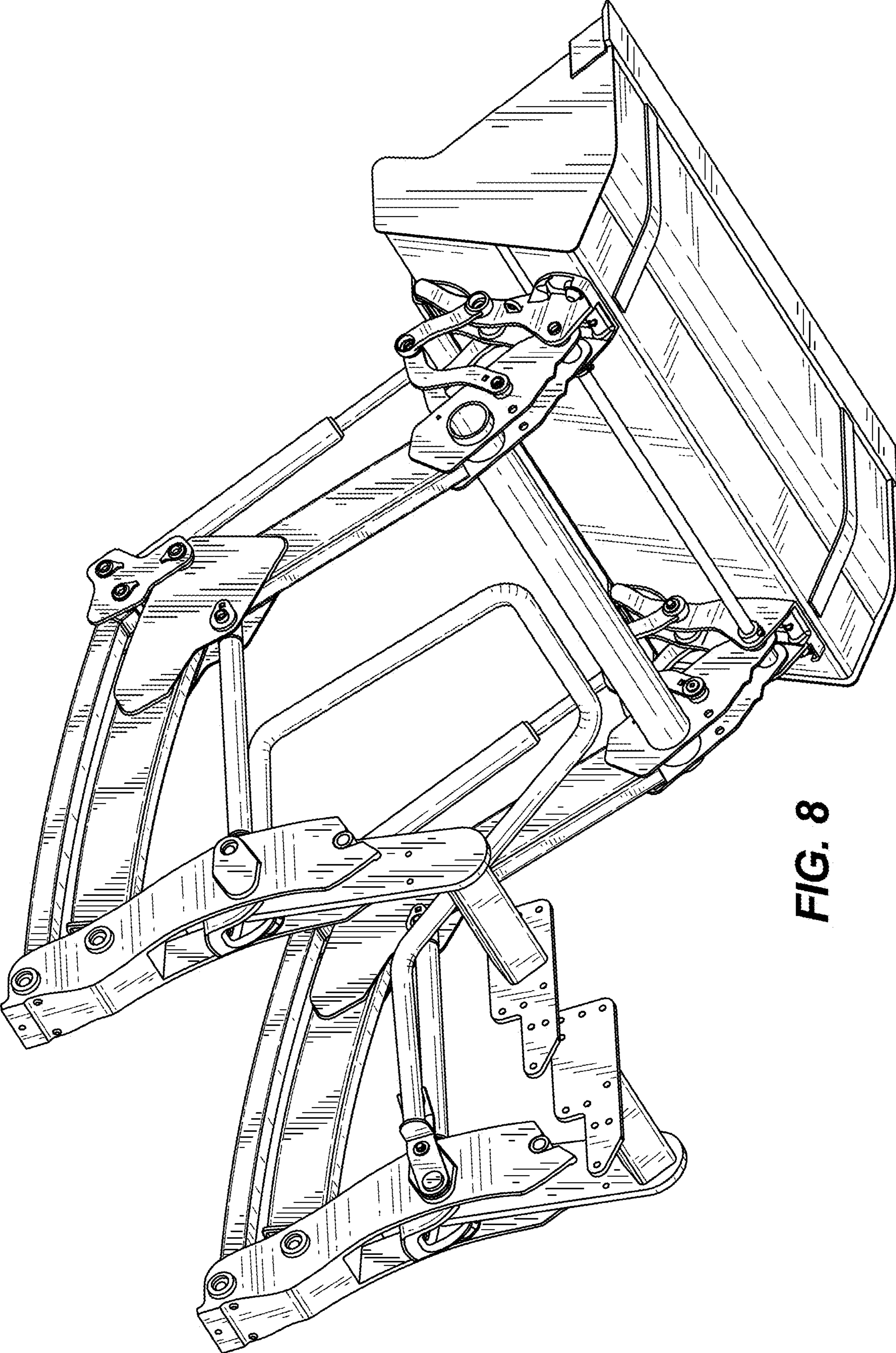


FIG. 8

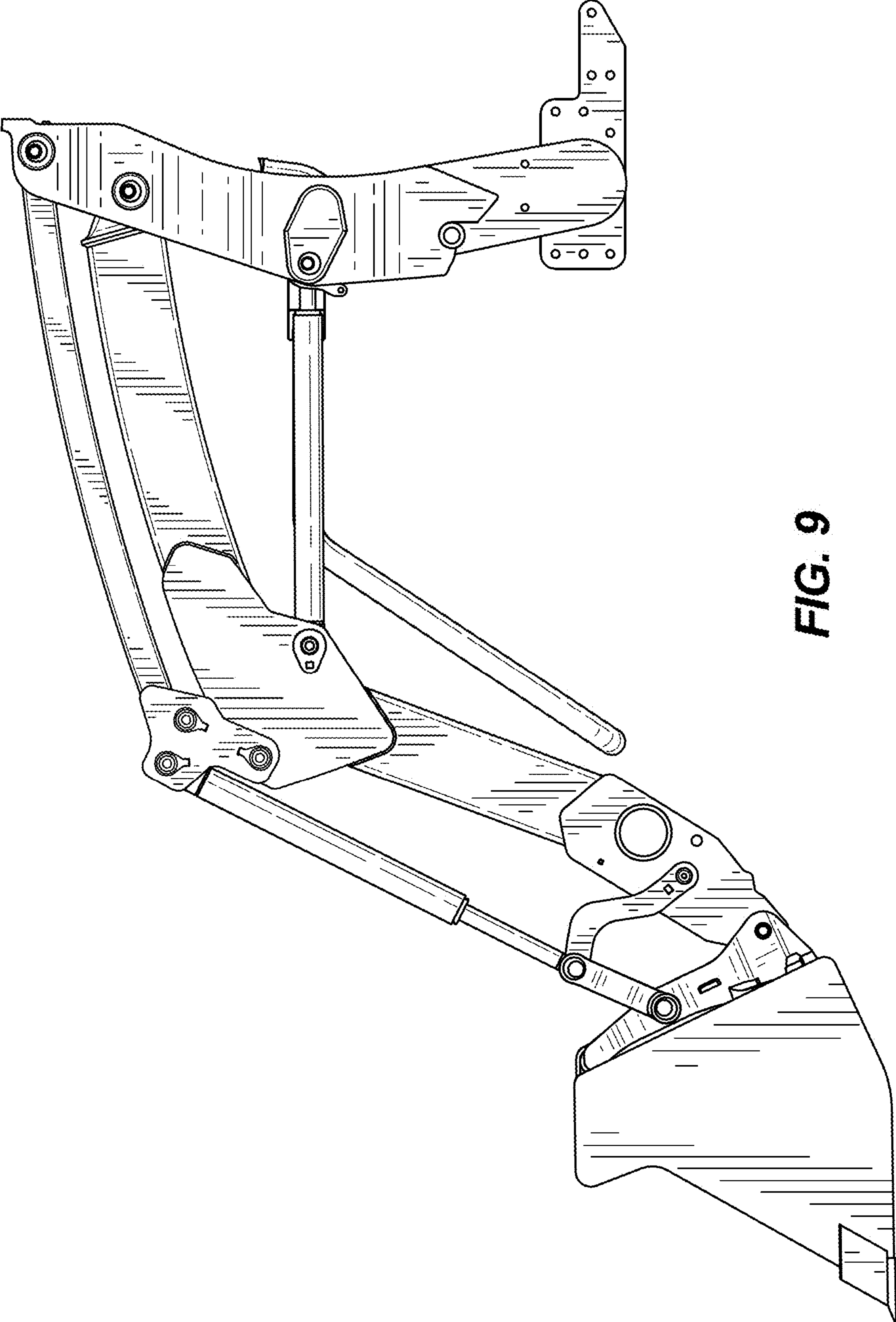
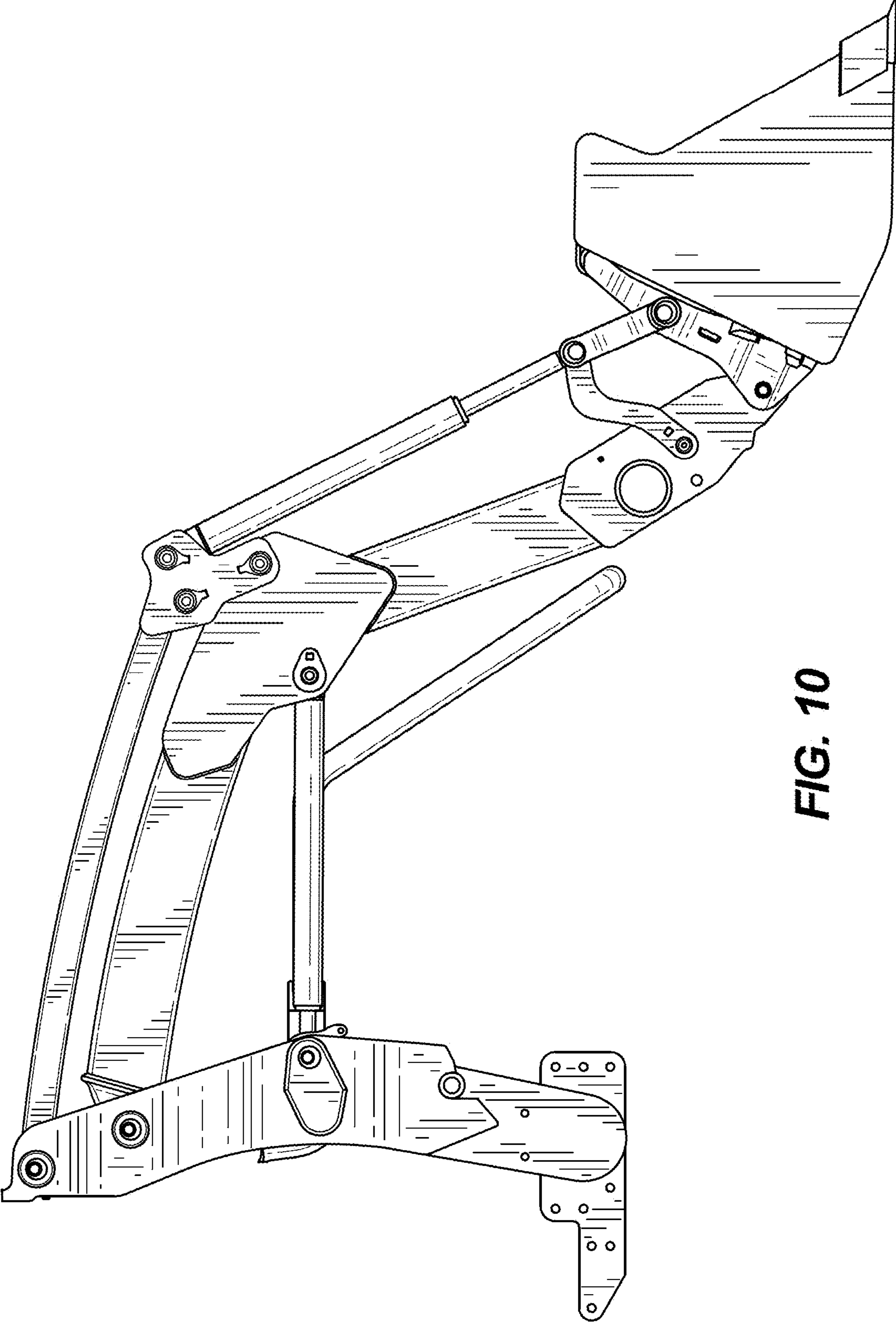
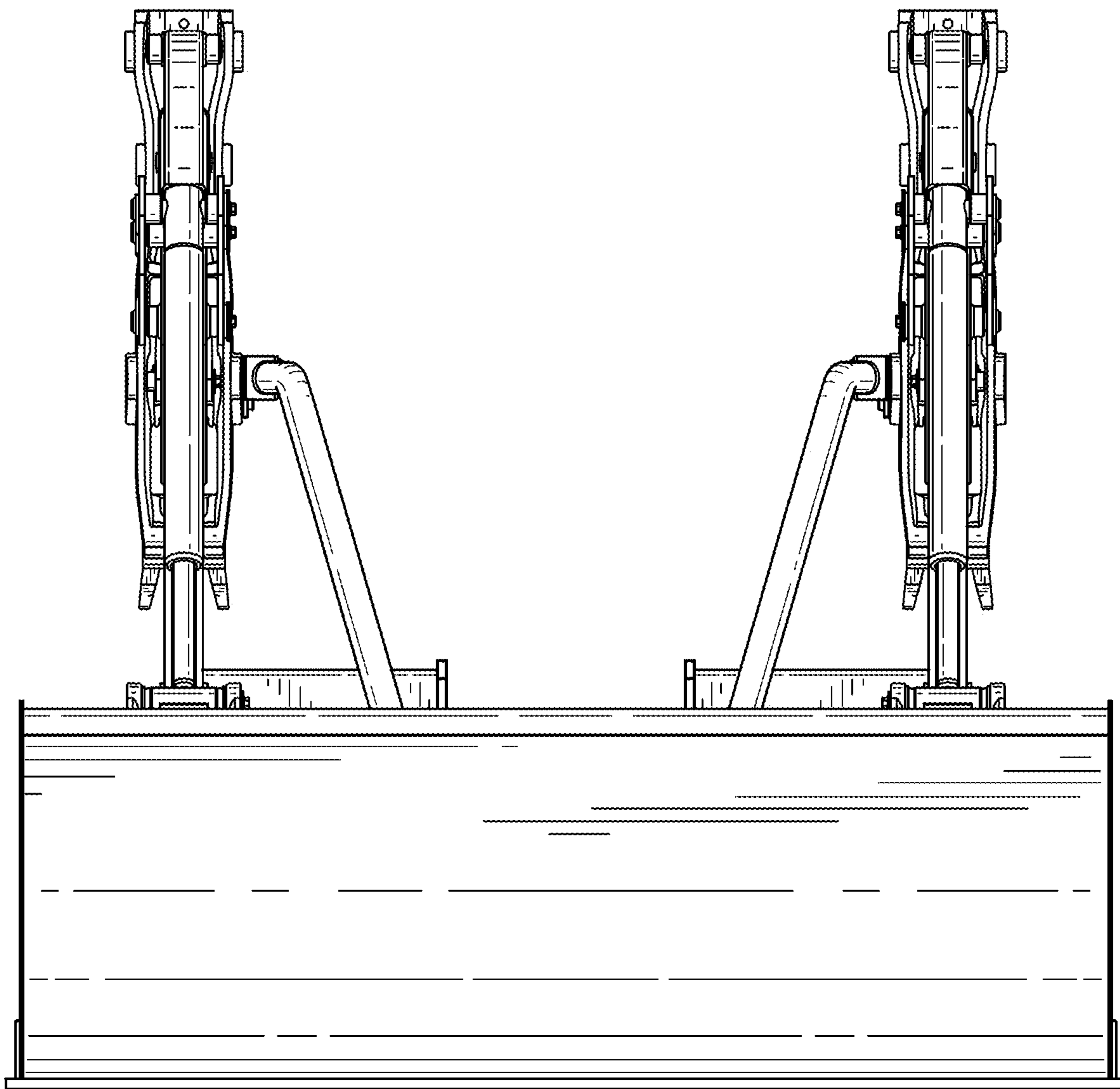


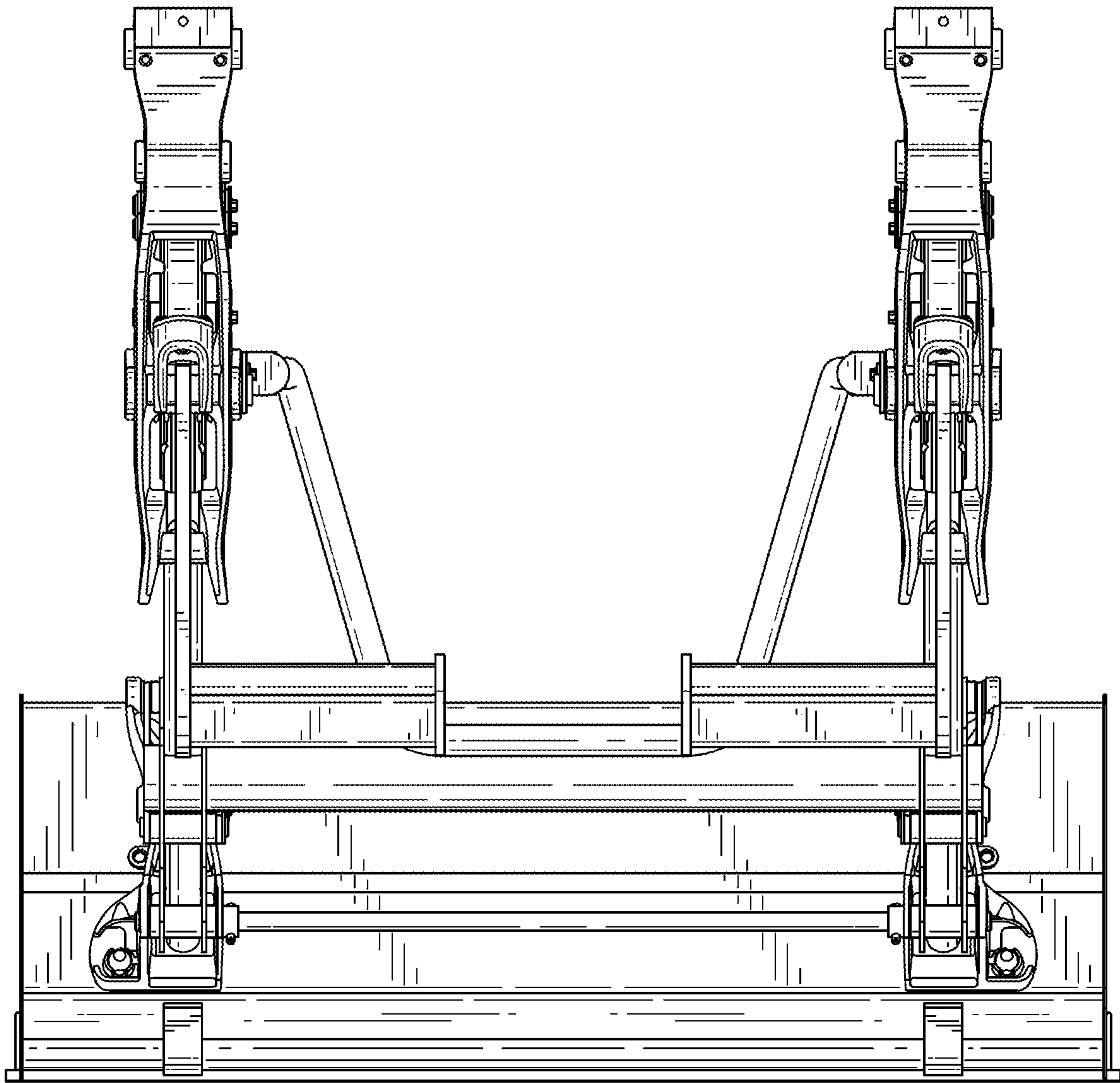
FIG. 9



**FIG. 10**



**FIG. 11**



**FIG. 12**

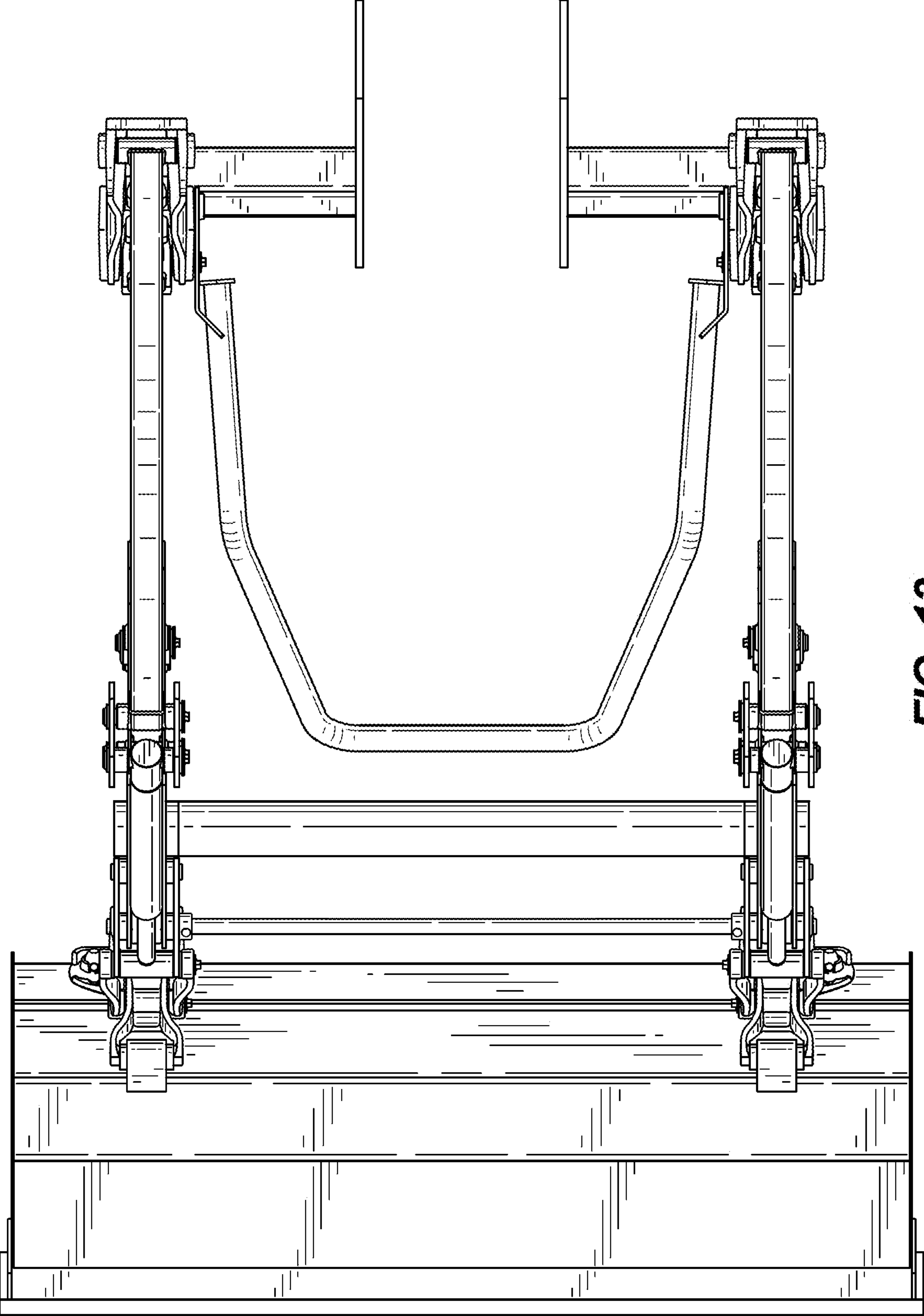
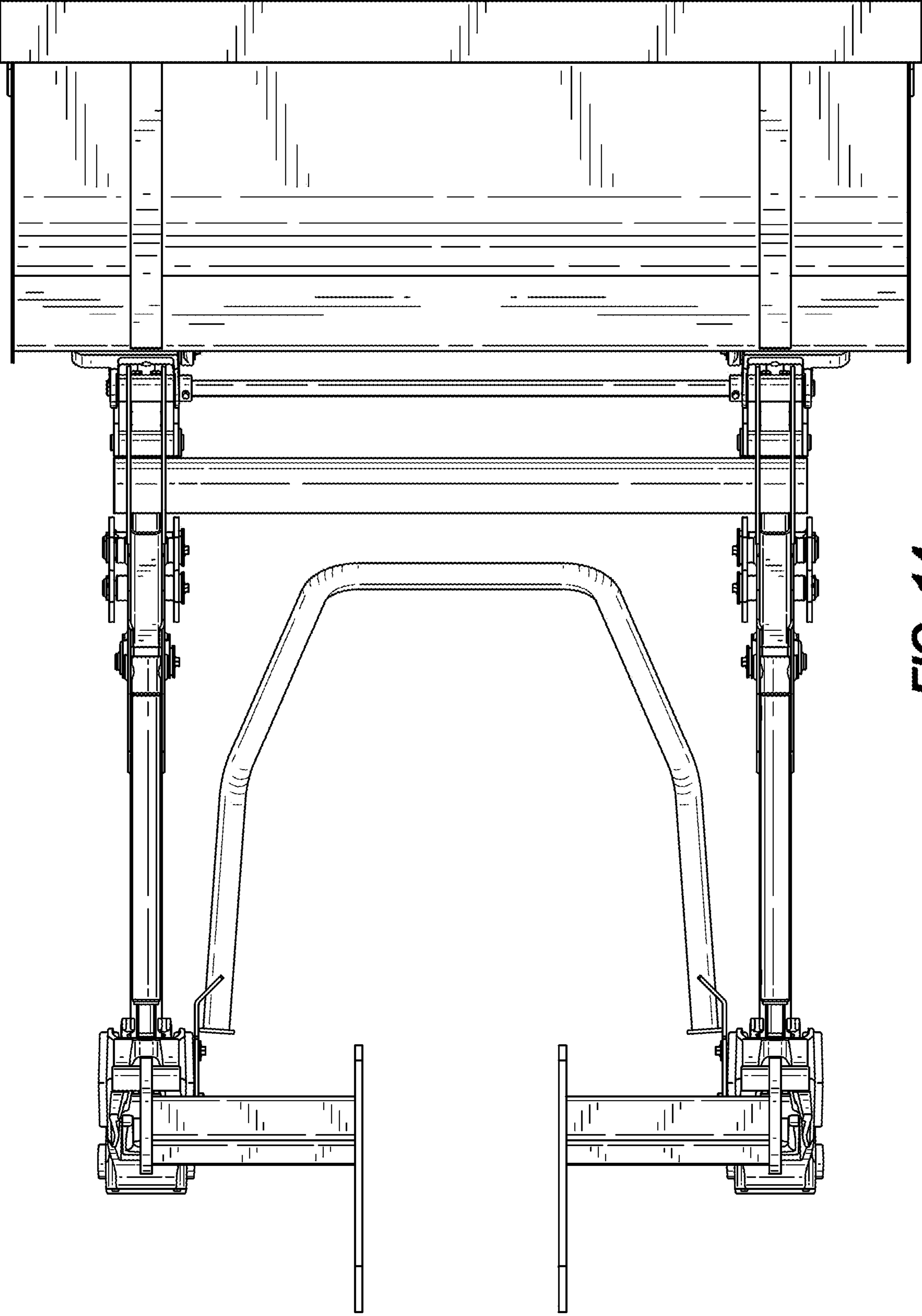


FIG. 13



**FIG. 14**