



US00D966343S

(12) **United States Design Patent** (10) **Patent No.:** **US D966,343 S**
Ketterhagen et al. (45) **Date of Patent:** **** Oct. 11, 2022**

(54) **AIR INTAKE TOWER**
(71) Applicant: **Deere & Company**, Moline, IL (US)
(72) Inventors: **Timothy L. Ketterhagen**, Cedar Falls, IA (US); **Benjamin J. Schlessner**, Independence, IA (US); **Noah F. Homan**, Waterloo, IA (US)
(73) Assignee: **DEERE & COMPANY**, Moline, IL (US)

D642,199 S * 7/2011 Luxon D12/400
D649,162 S * 11/2011 Luxon D12/400
D670,743 S * 11/2012 Ewringmann D15/28
(Continued)

FOREIGN PATENT DOCUMENTS

DE 4205425 A1 5/1993
EP 0433923 A1 9/1993
(Continued)

OTHER PUBLICATIONS

Non-Final Office Action dated Oct. 8, 2020 issued in Utility U.S. Appl. No. 16/654,548, filed Oct. 16, 2019.
(Continued)

Primary Examiner — Mark A Goodwin
(74) *Attorney, Agent, or Firm* — Klintworth & Rozenblat IP LLP

(**) Term: **15 Years**
(21) Appl. No.: **29/709,663**
(22) Filed: **Oct. 16, 2019**
(51) **LOC (13) Cl.** **15-03**
(52) **U.S. Cl.**
USPC **D15/28**
(58) **Field of Classification Search**
USPC D15/5, 17, 28
CPC F02M 35/10013; F02M 35/164; F02M 35/088; F02M 35/08; F02M 35/1062; F02M 35/10104; F02M 35/16; F02M 35/10; F02M 35/12; F02M 35/10262; B60K 13/02; B60Y 2200/221; Y02T 10/12
See application file for complete search history.

(57) **CLAIM**

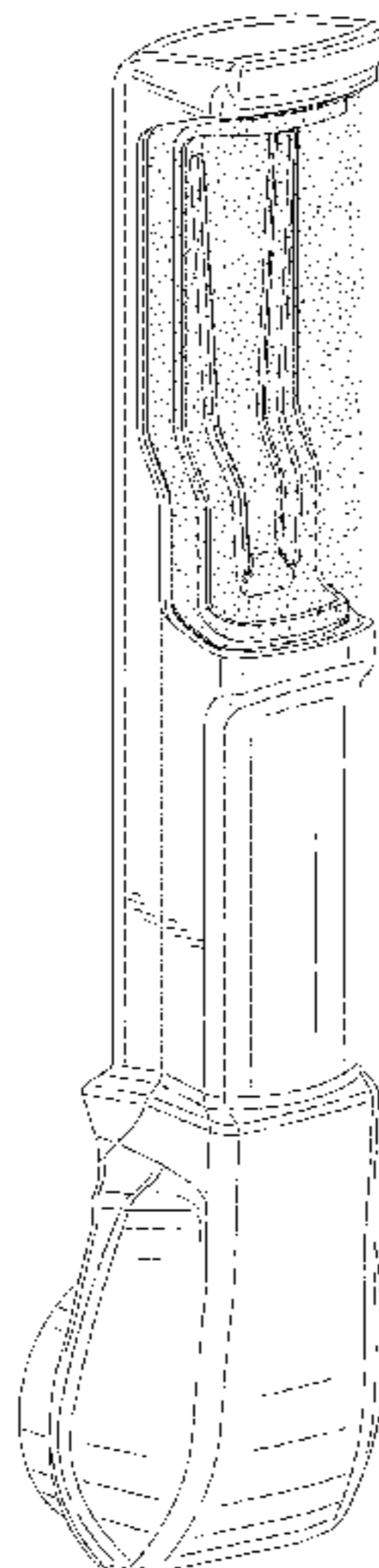
The ornamental design for an air intake tower, as shown and described.

DESCRIPTION

FIG. 1 is a perspective view of an air intake tower according to our new design;
FIG. 2 is a front elevational view thereof;
FIG. 2A is an enlarged detail view of area 2A-2A in FIG. 2 showing a perforation pattern of a grille therein;
FIG. 3 is a rear elevational view thereof;
FIG. 4 is a first side elevational view thereof;
FIG. 5 is a second side elevational view thereof;
FIG. 6 is a first plan view thereof; and,
FIG. 7 is a second plan view thereof.
The dash lines depict environment subject matter that forms no part of the claimed design. The dot-dash lines depict unclaimed boundary lines.

(56) **References Cited**
U.S. PATENT DOCUMENTS
3,818,667 A * 6/1974 Wagner B01J 35/08 52/473
4,366,878 A * 1/1983 Warf B60K 13/02 55/385.3
7,740,530 B2 * 6/2010 Astourian F24F 13/082 55/525
D627,369 S * 11/2010 Troxell D15/5
D636,788 S * 4/2011 Luxon D12/400
D637,205 S * 5/2011 Luxon D12/400
7,958,966 B2 * 6/2011 Smith F01N 13/1805 181/282
D641,377 S * 7/2011 Luxon D12/400

1 Claim, 5 Drawing Sheets



(56)

References Cited

U.S. PATENT DOCUMENTS

D687,075 S * 7/2013 Richard D15/28
 D698,831 S * 2/2014 Adamson D15/28
 D722,330 S * 2/2015 Boeshans D15/28
 D723,591 S * 3/2015 Boeshans D15/28
 D724,108 S * 3/2015 Boeshans D15/28
 9,151,253 B2 10/2015 Bunnell et al.
 10,060,395 B2 * 8/2018 Somerville F02M 35/10321
 D877,206 S * 3/2020 Jackson D15/28
 D896,277 S * 9/2020 Bennett D15/5
 D905,117 S * 12/2020 Bennett D12/400
 11,181,081 B2 * 11/2021 Ketterhagen B60K 13/02
 2011/0048368 A1 * 3/2011 Nelson F02M 35/022
 55/385.3
 2011/0192153 A1 * 8/2011 Schmidt F01N 13/20
 60/317
 2011/0214403 A1 * 9/2011 Geiss B60H 1/00378
 55/478
 2011/0214419 A1 * 9/2011 Castner F01N 3/02
 60/317
 2011/0252756 A1 * 10/2011 Geiss B60H 1/00378
 55/478
 2011/0283687 A1 * 11/2011 Dobler F01N 13/1805
 60/272

2012/0211293 A1 * 8/2012 Leanza F02M 35/161
 55/385.3
 2013/0025557 A1 * 1/2013 Chlystek F02M 35/164
 123/184.21
 2013/0319242 A1 * 12/2013 Cruz Aguado F24F 7/00
 55/529
 2014/0150384 A1 6/2014 Bunnell et al.
 2016/0010604 A1 1/2016 Zeilenga et al.
 2017/0100689 A1 4/2017 Loken et al.
 2019/0055907 A1 2/2019 Tsuruta et al.
 2021/0115884 A1 * 4/2021 Ketterhagen F02M 35/10262

FOREIGN PATENT DOCUMENTS

WO 2011094334 A1 8/2011
 WO 2017086261 A1 5/2017
 WO 2017183269 A1 10/2017

OTHER PUBLICATIONS

Final Office Action dated Apr. 7, 2021 issued in Utility U.S. Appl. No. 16/654,548, filed Oct. 16, 2019.

* cited by examiner

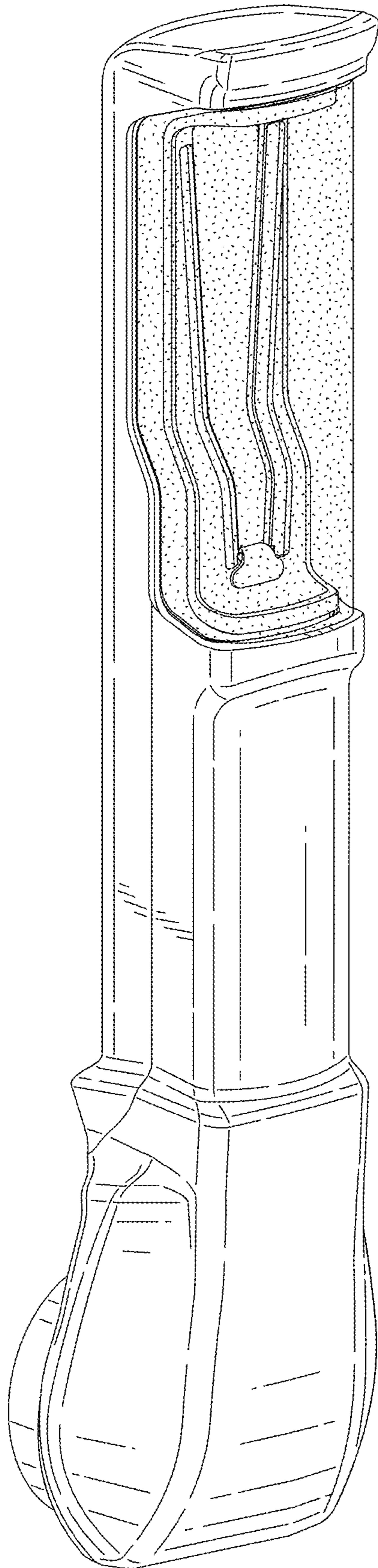


FIG. 1

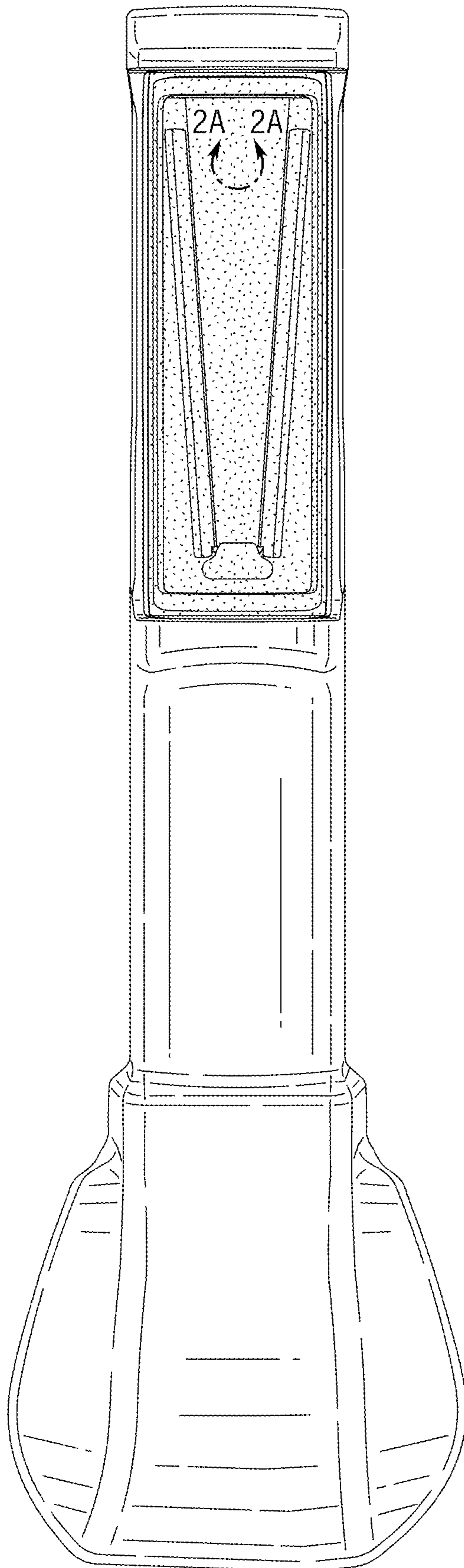


FIG. 2

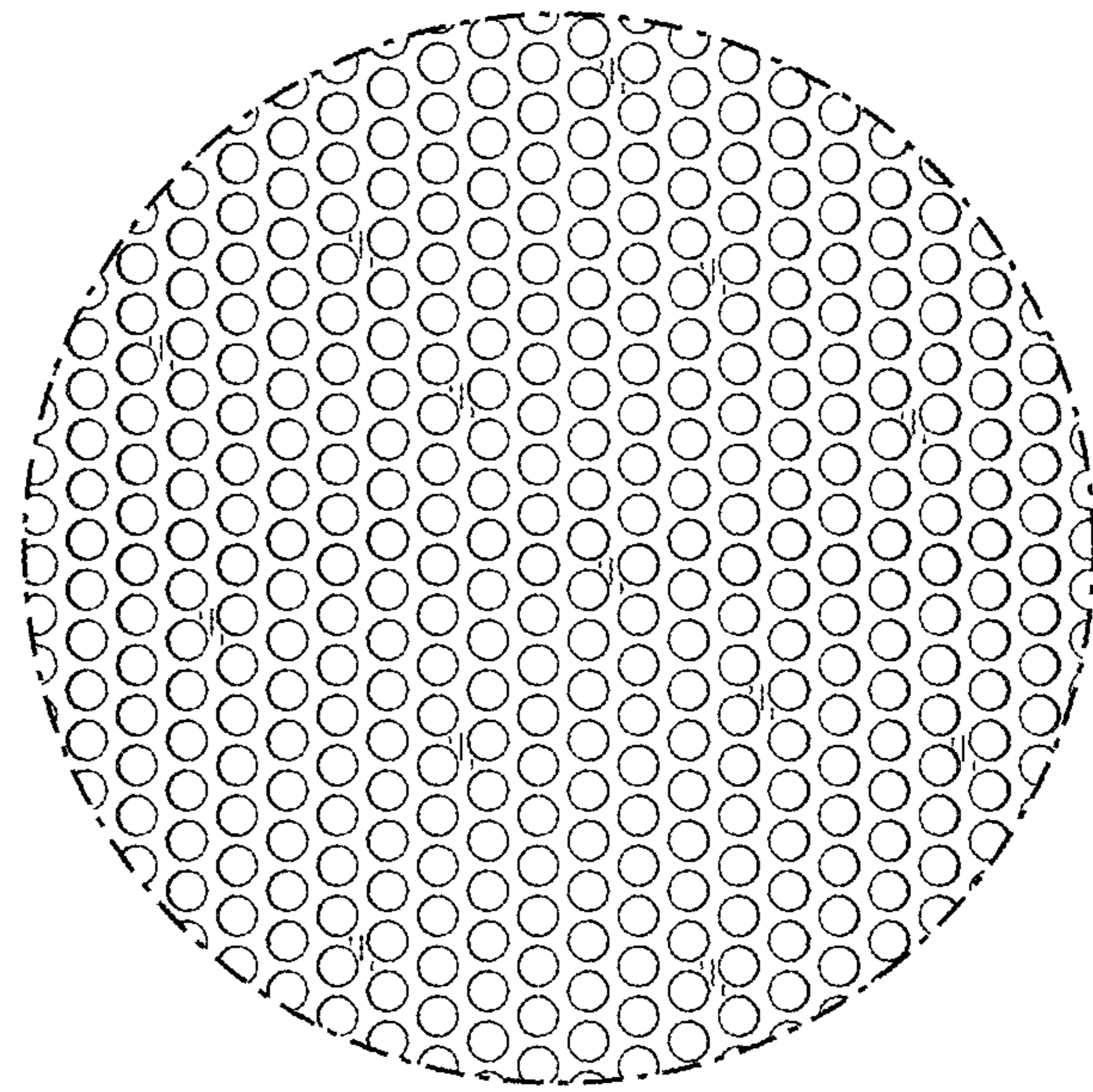


FIG. 2A

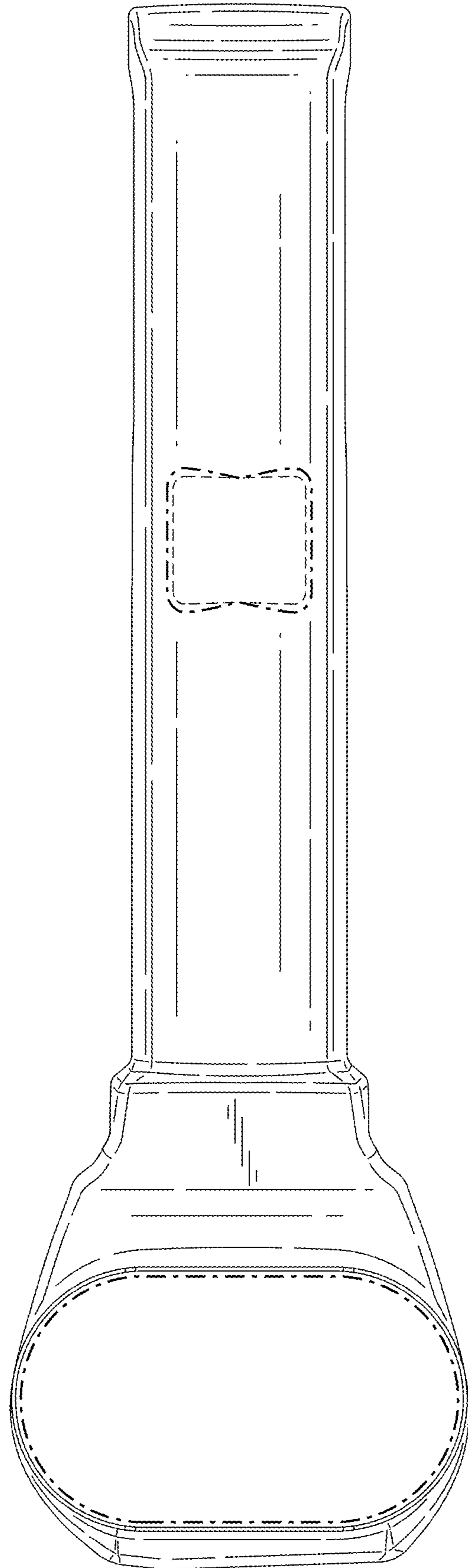


FIG. 3

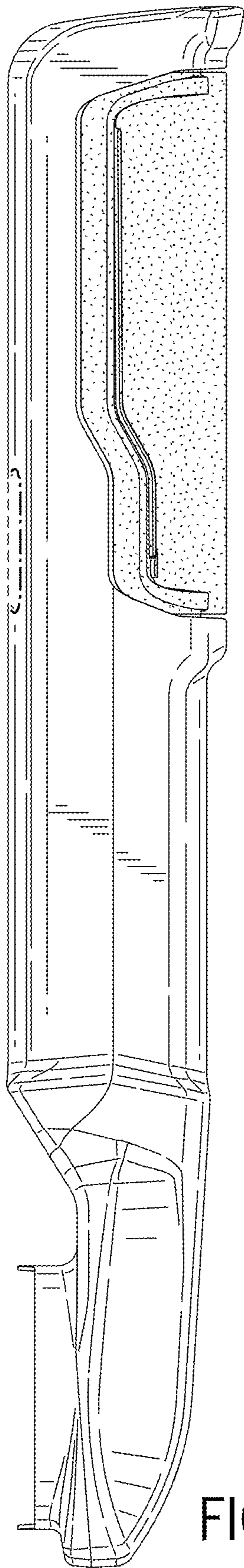


FIG. 4

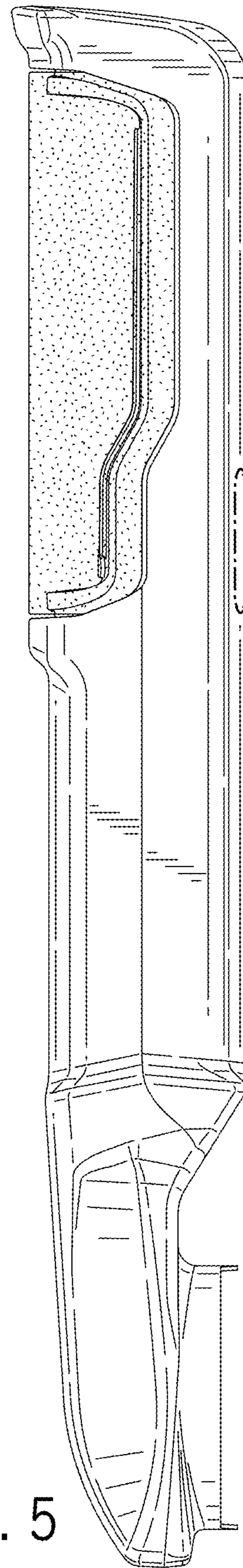


FIG. 5

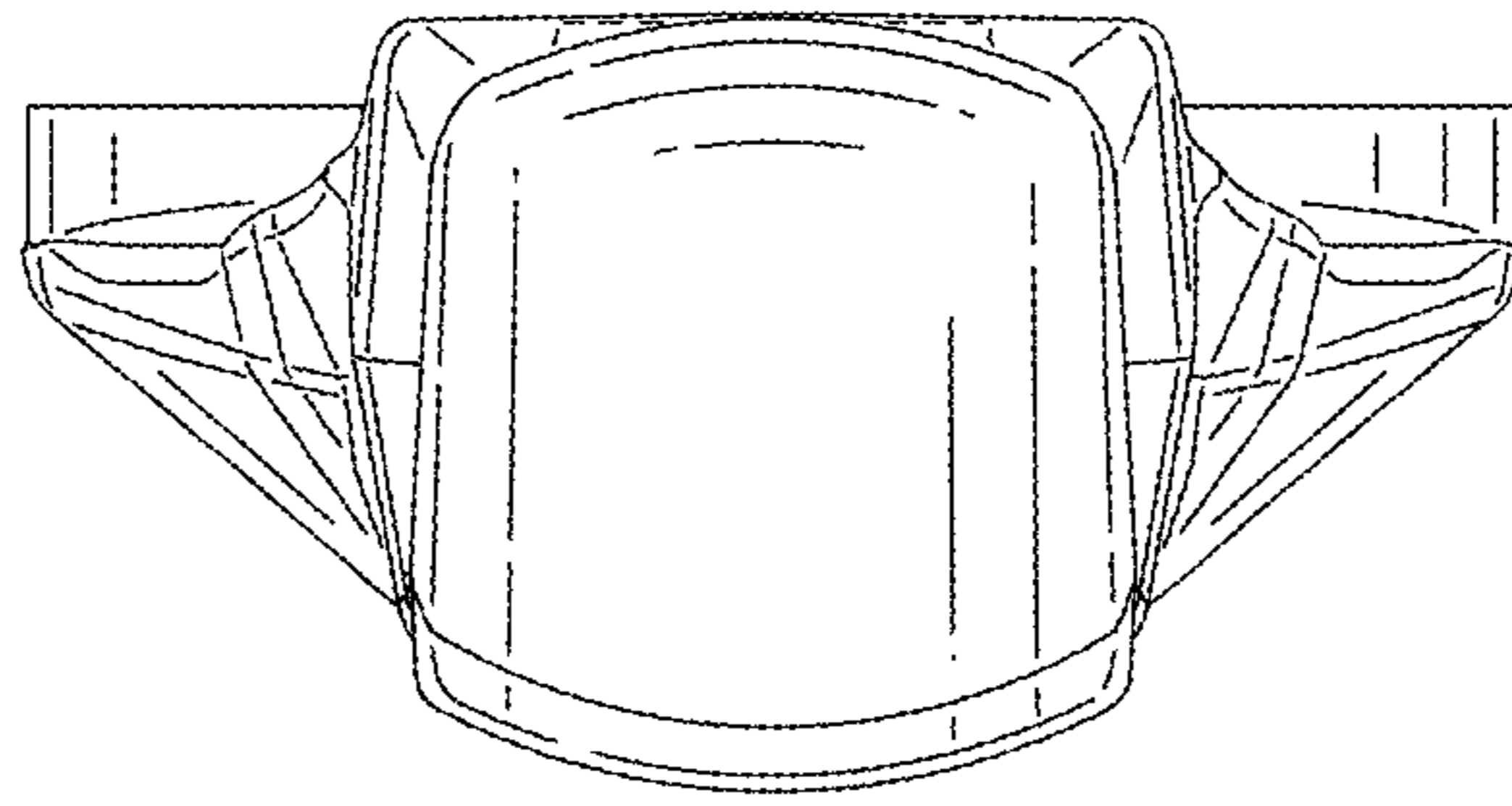


FIG. 6

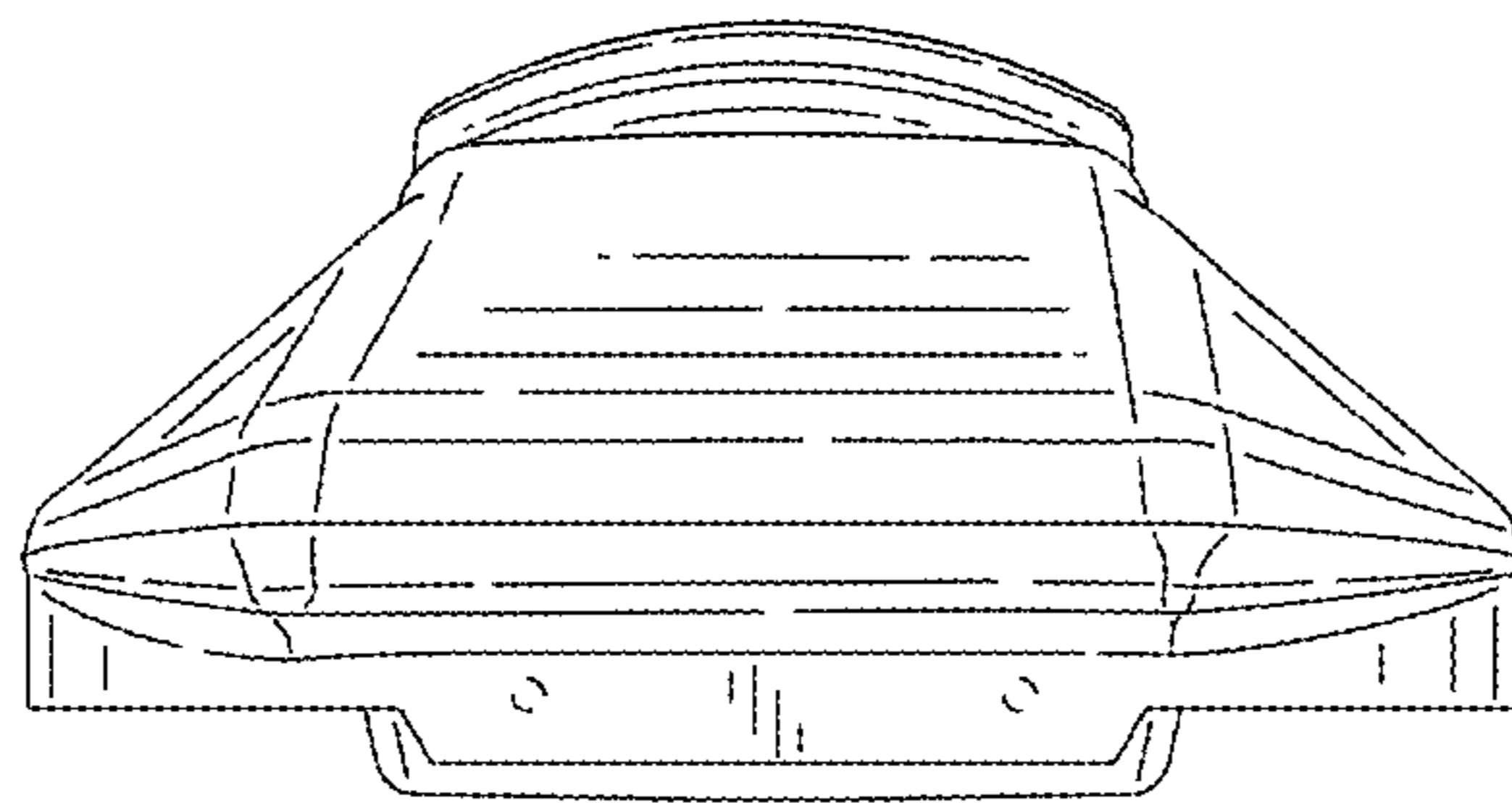


FIG. 7