



US00D966342S

(12) **United States Design Patent**  
**Pedrollo**

(10) **Patent No.:** **US D966,342 S**

(45) **Date of Patent:** **\*\* Oct. 11, 2022**

(54) **ELECTRIC PUMP**

(71) Applicant: **PEDROLLO S.P.A.**, Verona (IT)

(72) Inventor: **Silvano Pedrollo**, San Bonifacio (IT)

(73) Assignee: **PEDROLLO S.P.A.**, Verona (IT)

(\*\*) Term: **15 Years**

(21) Appl. No.: **35/511,281**

(22) Filed: **Aug. 5, 2020**

(80) **Hague Agreement Data**

Int. Filing Date: **Aug. 5, 2020**

Int. Reg. No.: **DM/209732**

Int. Reg. Date: **Aug. 5, 2020**

Int. Reg. Pub. Date: **Feb. 5, 2021**

(30) **Foreign Application Priority Data**

Feb. 7, 2020 (EM) ..... 007671839-0002

(51) **LOC (13) Cl.** ..... **15-02**

(52) **U.S. Cl.**

USPC ..... **D15/7**

CPC ..... **F04D 29/026** (2013.01)

(58) **Field of Classification Search**

USPC ..... D15/7-9, 144.1; D12/114; D23/225,  
D23/231, 232; 417/60, 235, 265, 321,  
417/355, 358, 363, 359, 410.1, 415-416,  
417/405, 900, 269, 539; 60/408, 412;  
415/140-147; 184/26-37; 123/495, 509;  
137/565.34

CPC .... F04D 29/026; F04D 29/669; F04D 29/086;  
F04D 29/448; F04D 29/428; F04D  
29/708

See application file for complete search history.

(56) **References Cited**

**U.S. PATENT DOCUMENTS**

D204,645 S \* 5/1966 Faison ..... D15/7

D301,887 S \* 6/1989 Price ..... D15/7

D372,719 S *	8/1996	Jensen	.....	D15/7
D471,561 S *	3/2003	Kohsaka	.....	D15/7
D485,565 S *	1/2004	Martinello	.....	D15/7
D516,583 S *	3/2006	Strong	.....	D15/7
D555,089 S *	11/2007	Lutz	.....	D15/7
D573,607 S *	7/2008	Bulter	.....	D15/7
D591,310 S *	4/2009	Soja	.....	D15/7
D630,229 S *	1/2011	Dreifert	.....	D15/7
D647,537 S *	10/2011	Mehnert	.....	D15/7
D676,063 S *	2/2013	Soja	.....	D15/7
D676,462 S *	2/2013	Soja	.....	D15/7
D677,282 S *	3/2013	Soja	.....	D15/7
D677,283 S *	3/2013	Soja	.....	D15/7
D713,860 S *	9/2014	Pedrollo	.....	D15/7
9,309,885 B2 *	4/2016	Blechs Schmidt	.....	F04C 2/102
D761,326 S *	7/2016	Kienzle	.....	D15/9
D775,236 S *	12/2016	Bruning	.....	D15/7
D785,679 S *	5/2017	Hartung	.....	D15/7
D791,191 S *	7/2017	Hartung	.....	D15/7
D797,154 S *	9/2017	Fujiwara	.....	D15/7
D805,557 S *	12/2017	Lanevongsa	.....	D15/7
D822,718 S *	7/2018	Hartung	.....	D15/7
D861,734 S *	10/2019	Hanselman	.....	D15/7
D865,005 S *	10/2019	Hanselman	.....	D15/7
D874,522 S *	2/2020	Beukenberg	.....	D15/9

(Continued)

*Primary Examiner* — Richard E Chilcot

(74) *Attorney, Agent, or Firm* — McGlew and Tuttle, P.C.

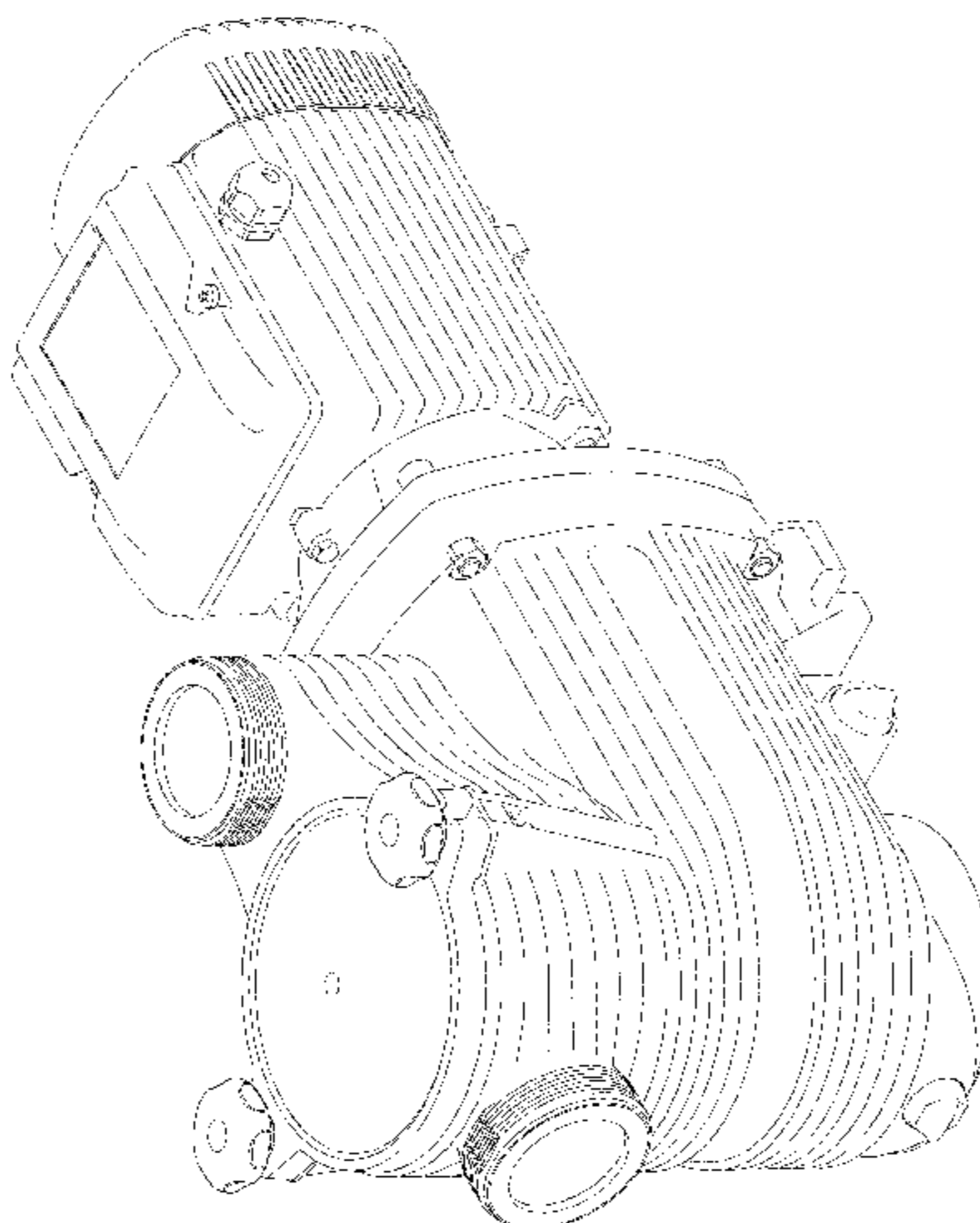
(57) **CLAIM**

The ornamental design for an electric pump, as shown and described.

**DESCRIPTION**

- 1. Electric pump
- 1.1 : Perspective
- 1.2 : Left
- 1.3 : Right
- 1.4 : Front
- 1.5 : Back
- 1.6 : Top
- 1.7 : Bottom

**1 Claim, 7 Drawing Sheets**



(56)

**References Cited**

U.S. PATENT DOCUMENTS

D887,449 S \* 6/2020 Zwahlen ..... F02M 37/04  
D15/7  
D914,061 S \* 3/2021 Del Aguila ..... D15/7  
D916,139 S \* 4/2021 Fan ..... D15/7  
11,193,504 B1 \* 12/2021 Mjelde ..... F04D 29/026  
11,193,508 B2 \* 12/2021 Hughes ..... F15B 19/005  
2016/0215679 A1 \* 7/2016 Pawellek ..... F04D 29/4293  
2017/0254253 A1 \* 9/2017 Hoffmann ..... F01P 7/14  
2017/0335844 A1 \* 11/2017 Blechschmidt ..... F04C 2/102  
2017/0370274 A1 \* 12/2017 Hoffmann ..... F04B 23/106

\* cited by examiner

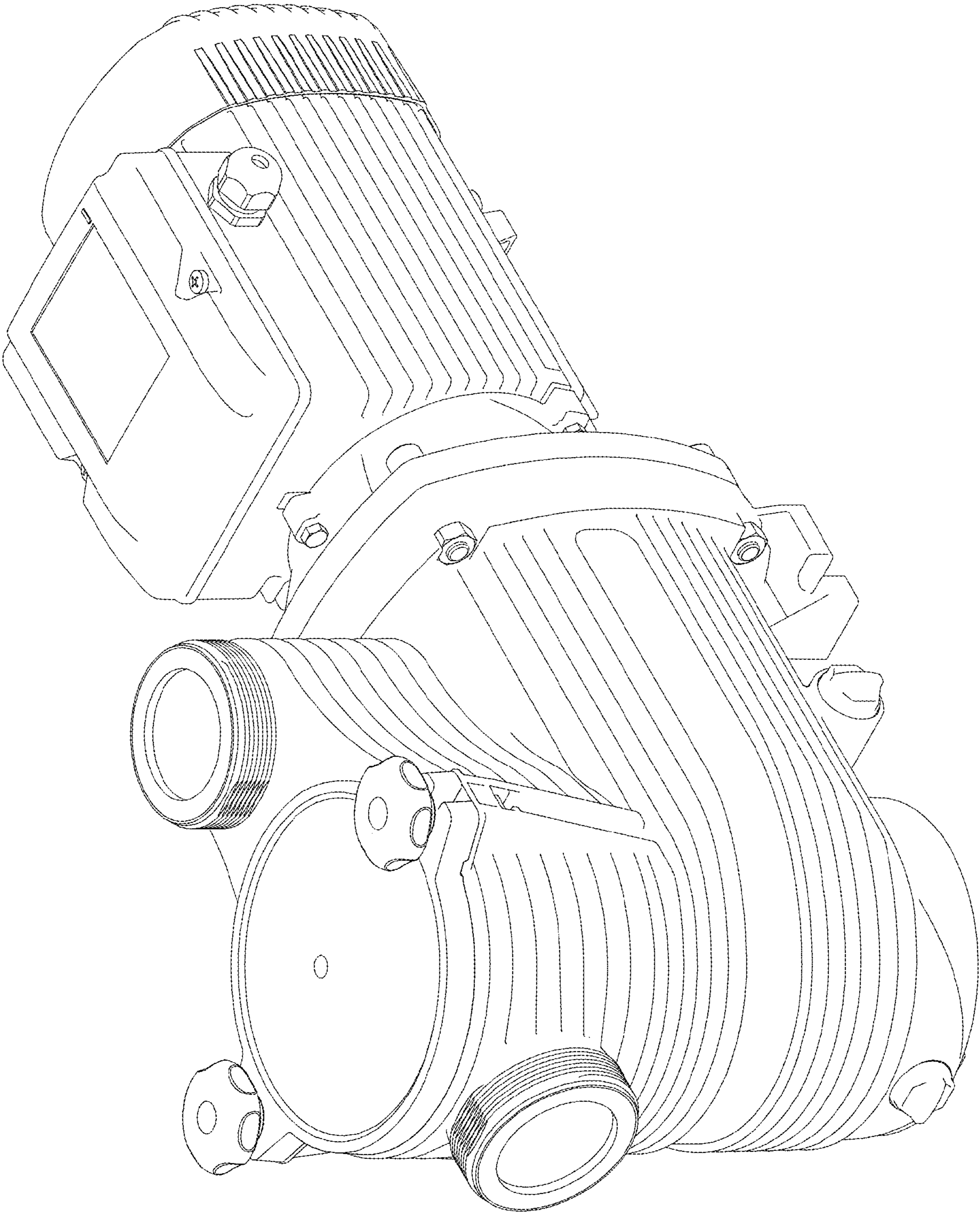


Fig. 1.1

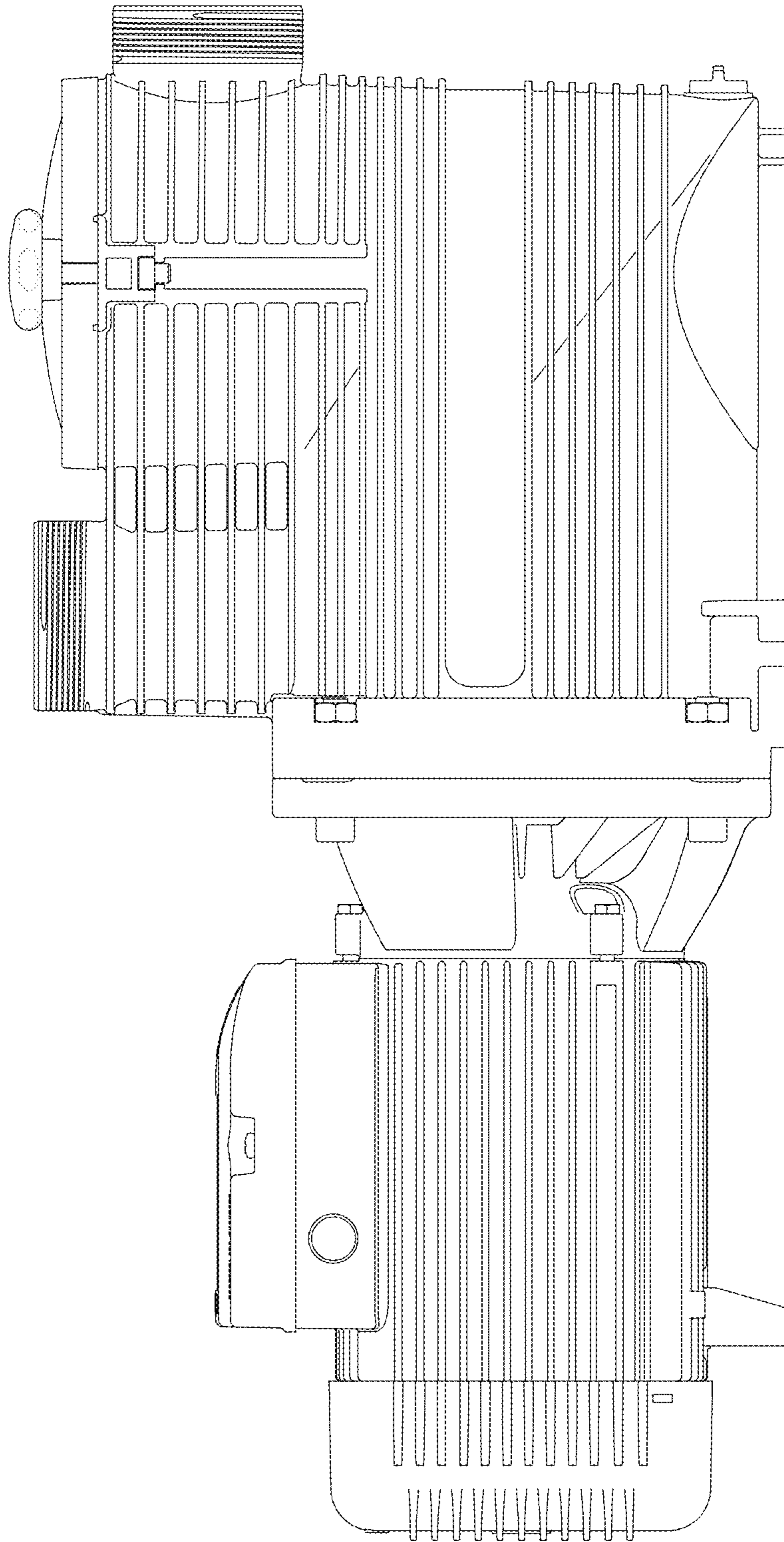


Fig. 1.2

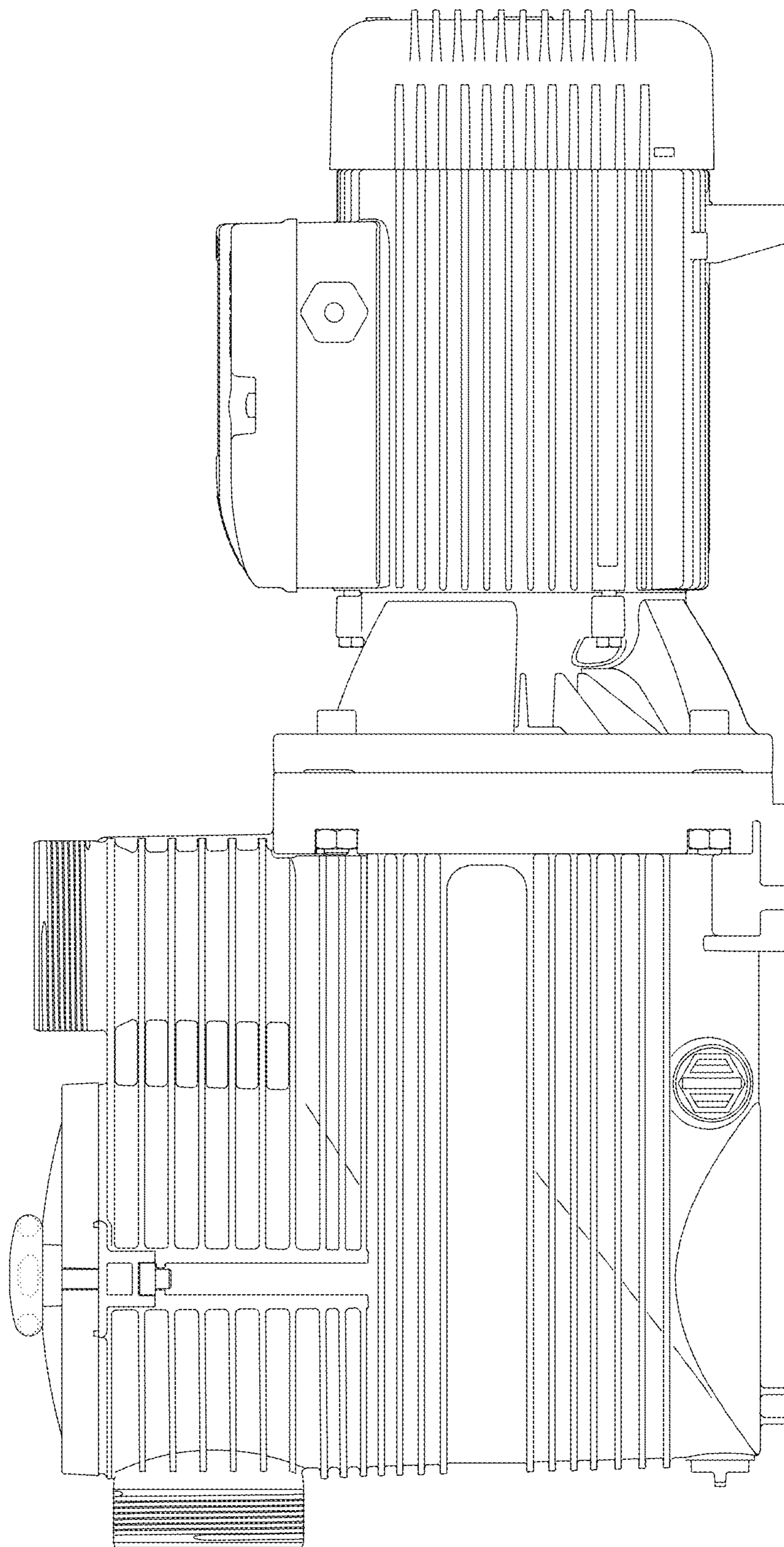


Fig. 1.3

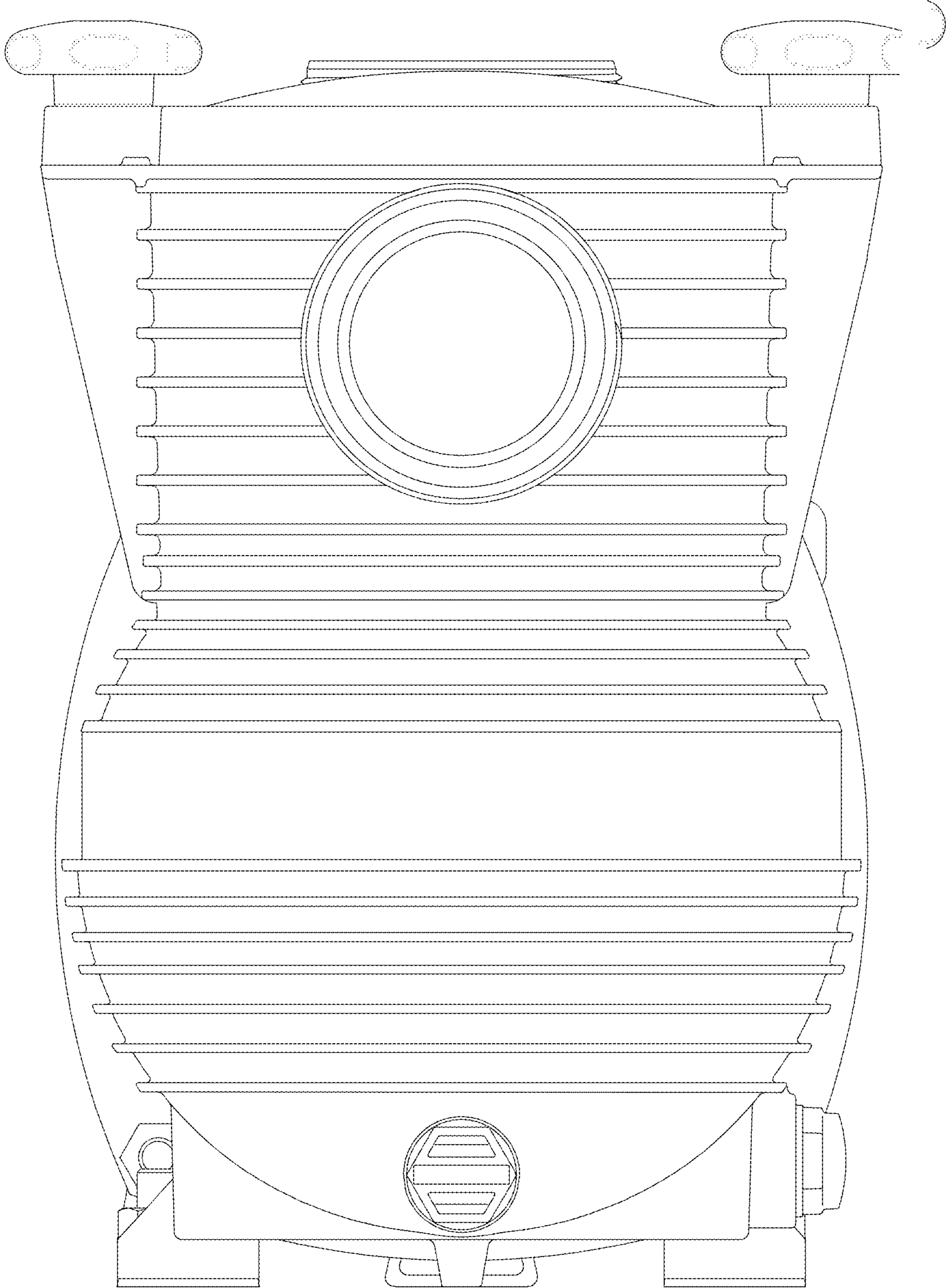


Fig. 1.4

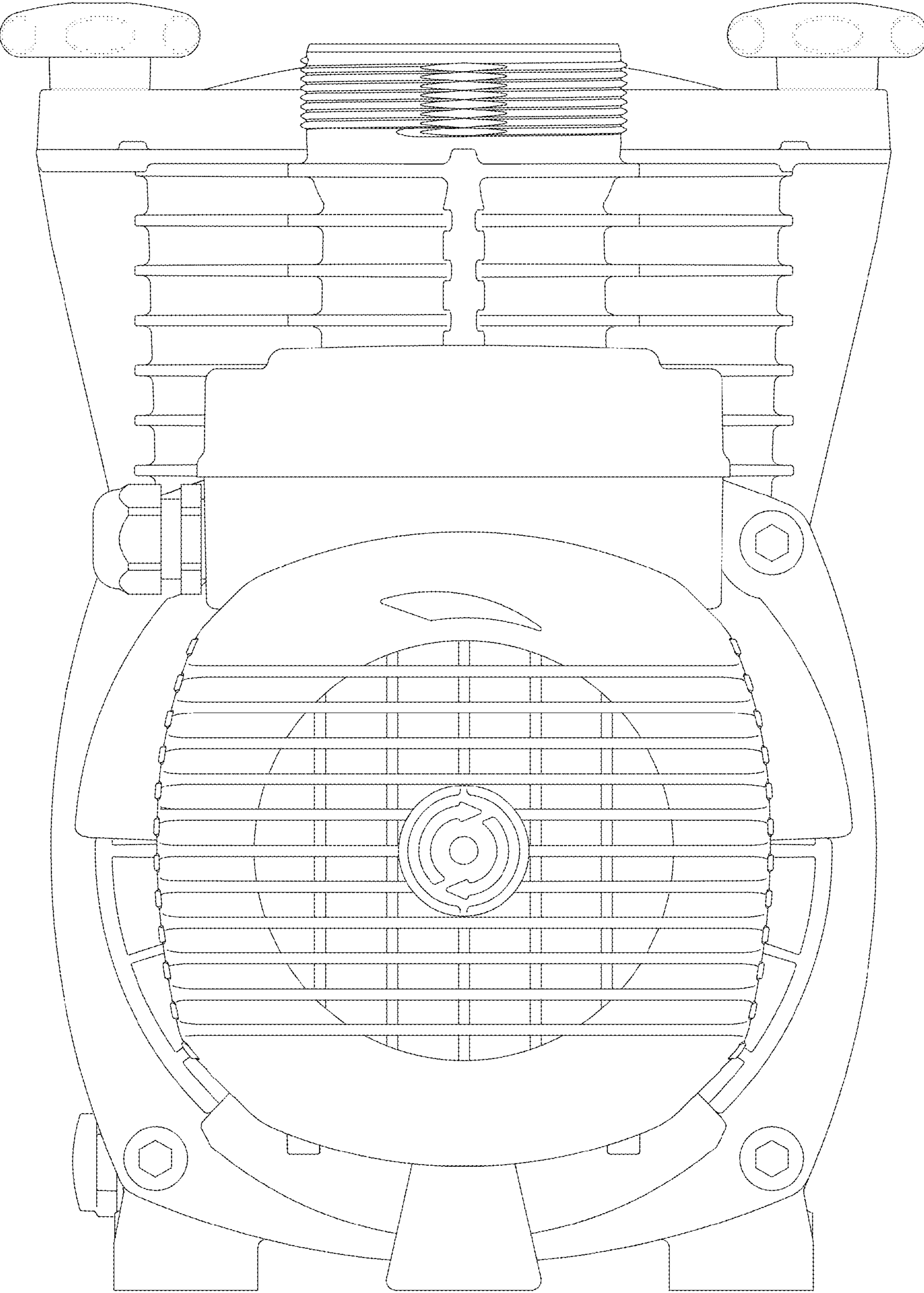


Fig. 1.5

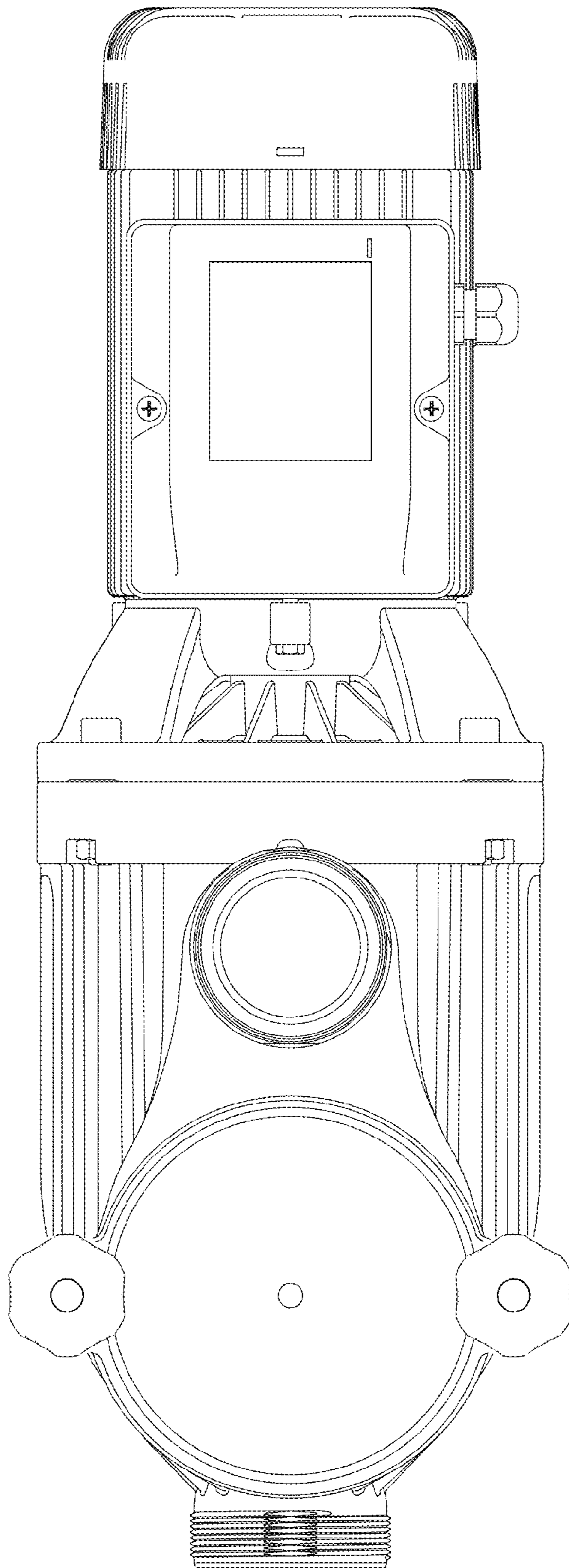


Fig. 1.6



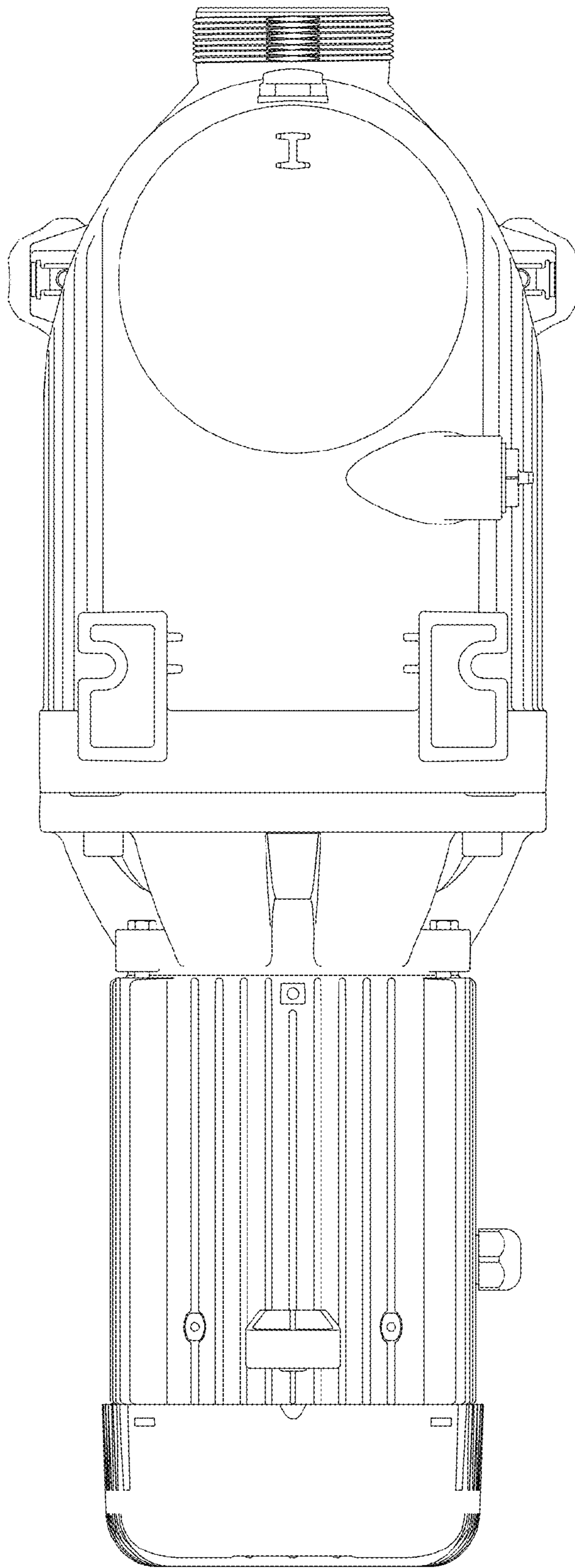


Fig. 1.7