



US00D966340S

(12) **United States Design Patent**
Koetsier

(10) **Patent No.:** **US D966,340 S**
(45) **Date of Patent:** **** Oct. 11, 2022**

(54) **TROLLING MOTOR FOOT PEDAL**

OTHER PUBLICATIONS

(71) Applicant: **Brunswick Corporation**, Mettawa, IL (US)

Johnson Outdoors Marine Electronics, Inc., MinnKota Edge Bow-Mount Trolling Motor User Manual, 2014, pp. 1, 2, 5, 13, 16.

(Continued)

(72) Inventor: **Nathan D. Koetsier**, Marne, MI (US)

Primary Examiner — Ania Aman

(73) Assignee: **Brunswick Corporation**, Mettawa, IL (US)

(74) *Attorney, Agent, or Firm* — Andrus Intellectual Property Law, LLP

(**) Term: **15 Years**

(57) **CLAIM**

The ornamental design for a trolling motor foot pedal, as shown and described.

(21) Appl. No.: **29/833,390**

DESCRIPTION

(22) Filed: **Apr. 4, 2022**

Related U.S. Application Data

(62) Division of application No. 29/696,282, filed on Jun. 26, 2019.

(51) **LOC (13) Cl.** **15-01**

(52) **U.S. Cl.**
USPC **D15/4**

(58) **Field of Classification Search**
USPC D15/1, 2, 3, 4, 5, 6
CPC B63H 20/007; B63H 21/21
See application file for complete search history.

FIG. 1 is a top plan view of a trolling motor foot pedal according to my new and ornamental design; FIG. 2 is a bottom plan view thereof; FIG. 3 is a left side elevation view thereof; FIG. 4 is a right side elevation view thereof; FIG. 5 is front elevation view thereof; FIG. 6 is a rear elevation view thereof; FIG. 7 is a top perspective view thereof; FIG. 8 is bottom perspective view thereof; and, FIG. 9 is bottom perspective view thereof, showing a bottom portion of the trolling motor foot pedal separated from a top portion of the trolling motor foot pedal.

The top portion of the trolling motor foot pedal is shaded with lines to indicate that the top portion is made of a first material. The bottom portion of the trolling motor foot pedal is shaded with stippling to indicate that the bottom portion is made of a material other than the first material. The dash-dot lines separating portions of the trolling motor foot pedal shown in solid lines from portions of the trolling motor foot pedal shown in broken lines indicate boundaries of the claimed design and form no part of the claimed design. The portions of the trolling motor foot pedal shown in broken lines form no part of the claimed design. The dash-dot lines in FIG. 9 show how the parts of the trolling motor foot pedal are assembled together, and form no part of the claimed design.

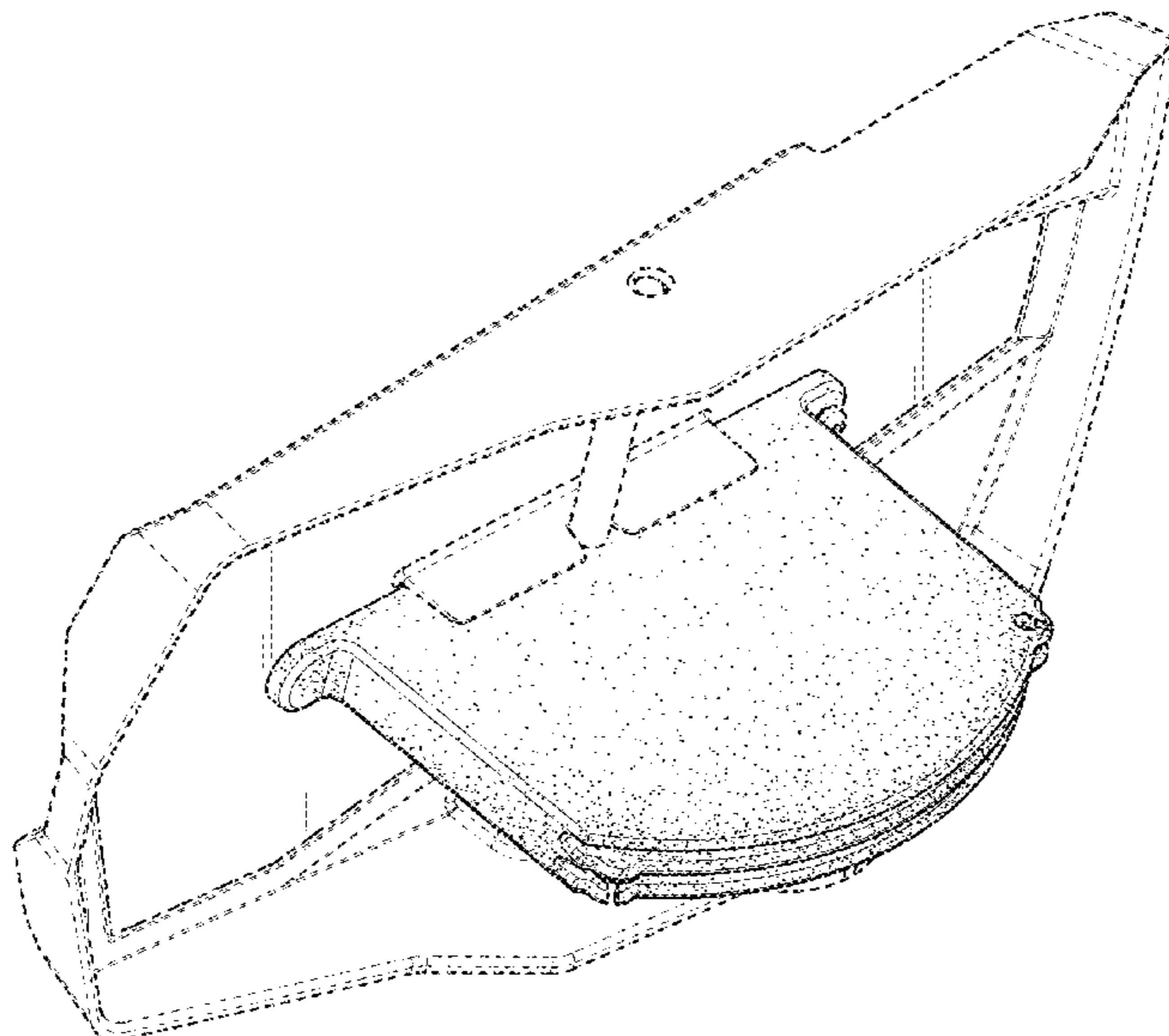
(56) **References Cited**

U.S. PATENT DOCUMENTS

- 5,465,633 A 11/1995 Bernloehr
- 6,394,859 B1 * 5/2002 Knight B63B 43/18
248/642
- 6,431,923 B1 * 8/2002 Knight B63H 25/42
440/6
- 6,468,117 B1 10/2002 Healey
- 8,221,175 B2 7/2012 Mynster
- 9,290,256 B1 3/2016 Wireman et al.
- 9,676,462 B2 6/2017 Bernloehr et al.

(Continued)

1 Claim, 9 Drawing Sheets



(56)

References Cited

U.S. PATENT DOCUMENTS

10,513,322 B2 * 12/2019 Clark B63H 20/007
10,604,222 B1 3/2020 Salisbury et al.
D886,863 S 6/2020 Bailey
10,747,255 B2 8/2020 Gahler et al.
D905,757 S 12/2020 Domke et al.
D943,632 S * 2/2022 Downey D15/4
2010/0273367 A1 * 10/2010 Mynster B63H 20/12
440/53
2019/0176950 A1 6/2019 Whiteside et al.
2021/0371074 A1 * 12/2021 Lammers-Meis B63H 20/007

OTHER PUBLICATIONS

Johnson Outdoors Marine Electronics, Inc., MinnKota Ultrex Parts Diagram & Parts List, 2016, p. 57.
Johnson Outdoors Marine Electronics, Inc., MinnKota Fortrex Bow-Mount Trolling Motor Owner's Manual, 2018, pp. 1, 2, 7, 8, 17, 18, 20, 22, 35, 57.
Mercury Marine, MotorGuide Tour Series Owner's Manual, 2010, pp. 5-7, 11, 18, 22, 23.
Johnson Outdoors Marine Electronics, Inc., MinnKota Edge, Maxuum, and Fortrex Foot Pedal, see attached Declaration at pp. 1-3.
Mercury Marine, MotorGuide Tour Series Foot Pedal, see attached Declaration at pp. 4-5.
Koetsier, Nathan D., "Trolling Motor Foot Pedal," Design U.S. Appl. No. 29/696,282, filed Jun. 26, 2019 (drawings, specification, and claim only).

* cited by examiner

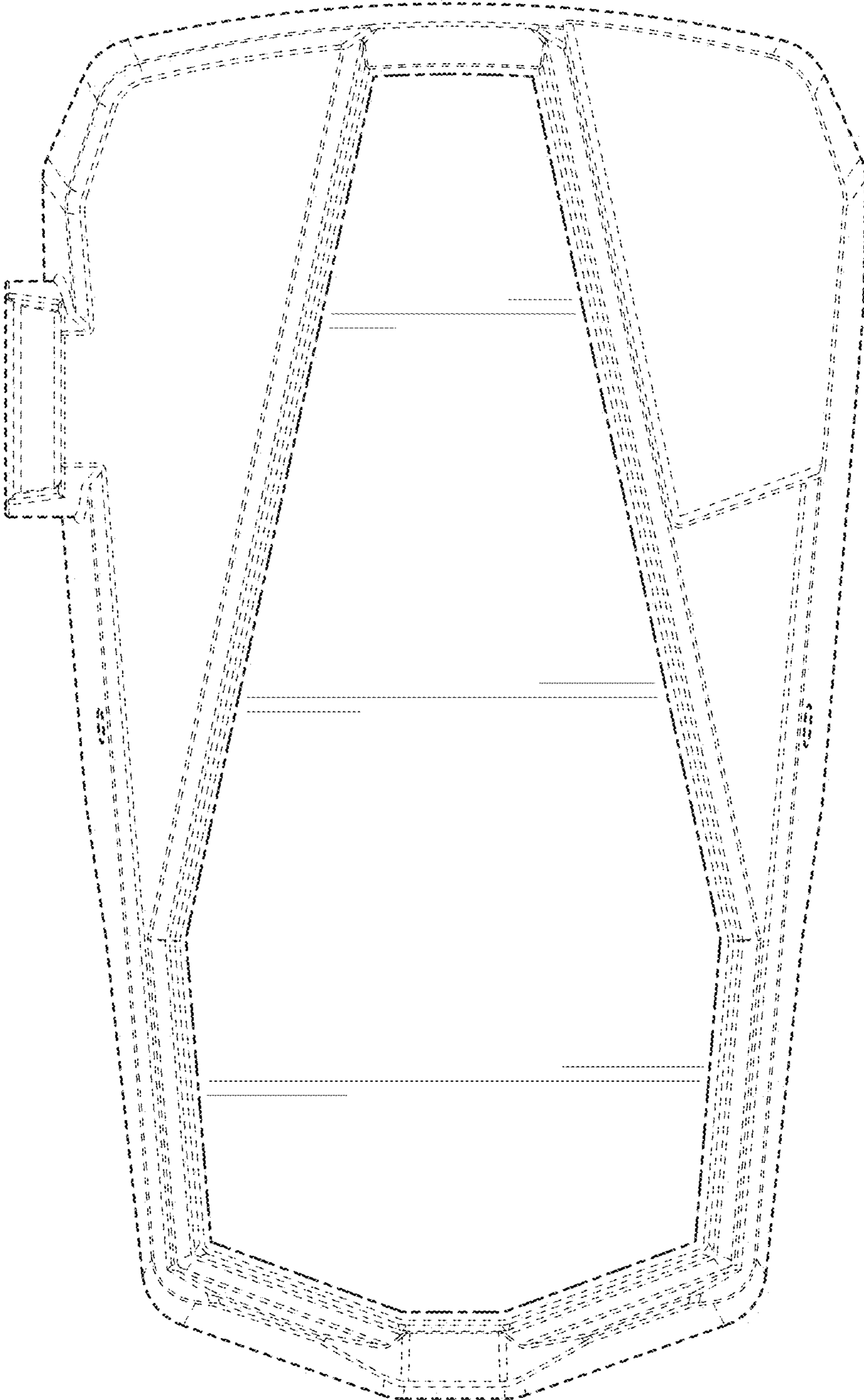


FIG. 1

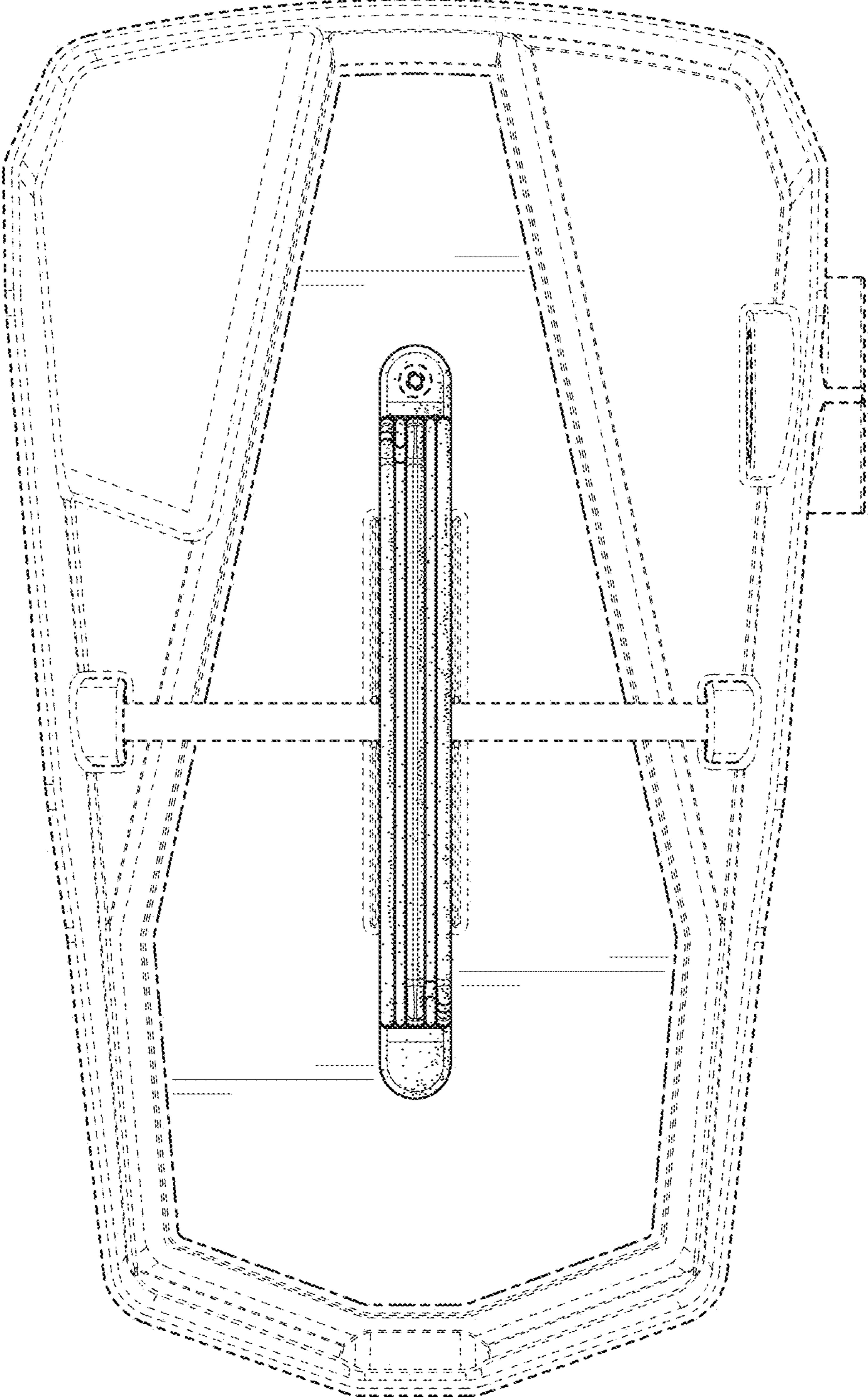


FIG. 2

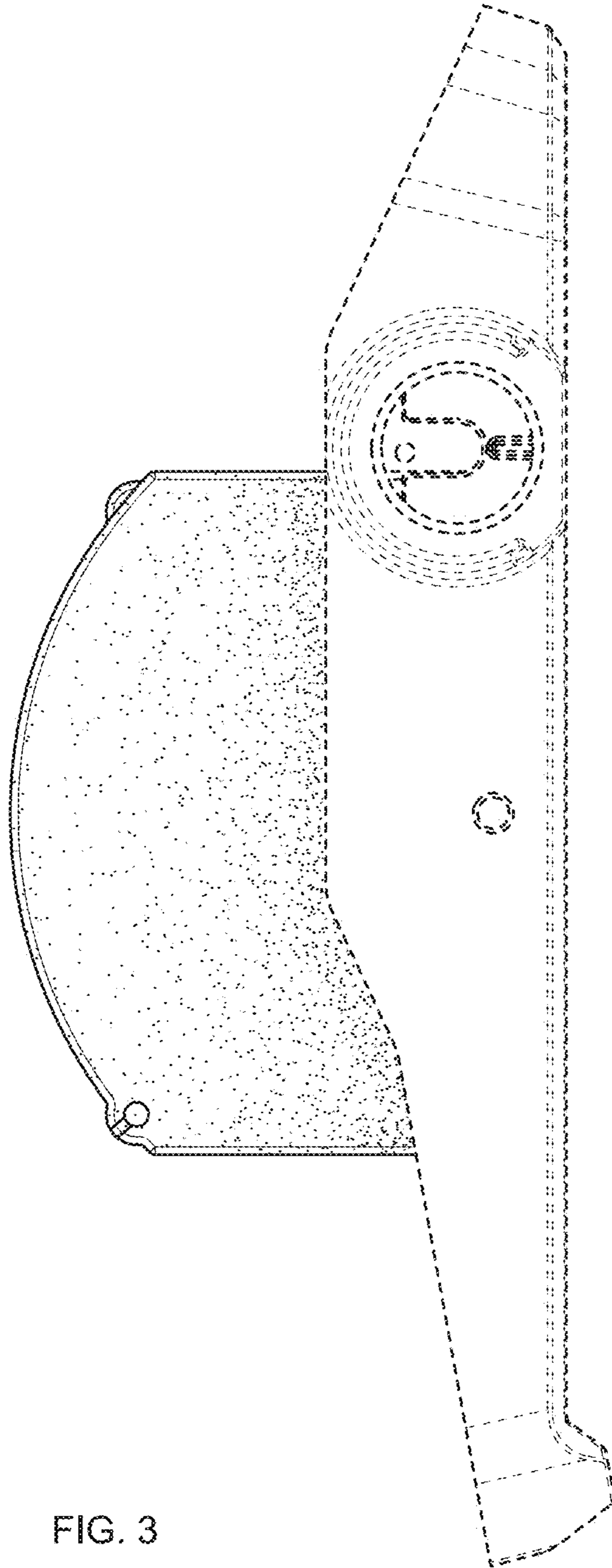


FIG. 3

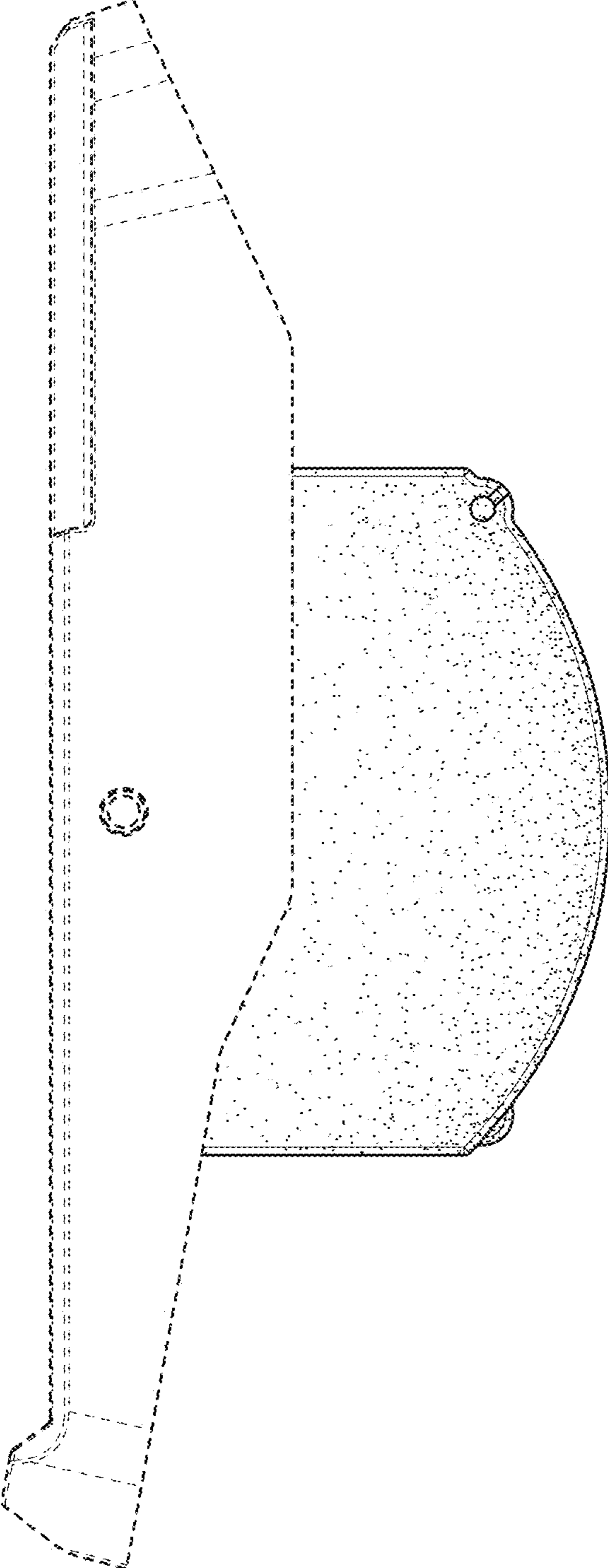


FIG. 4

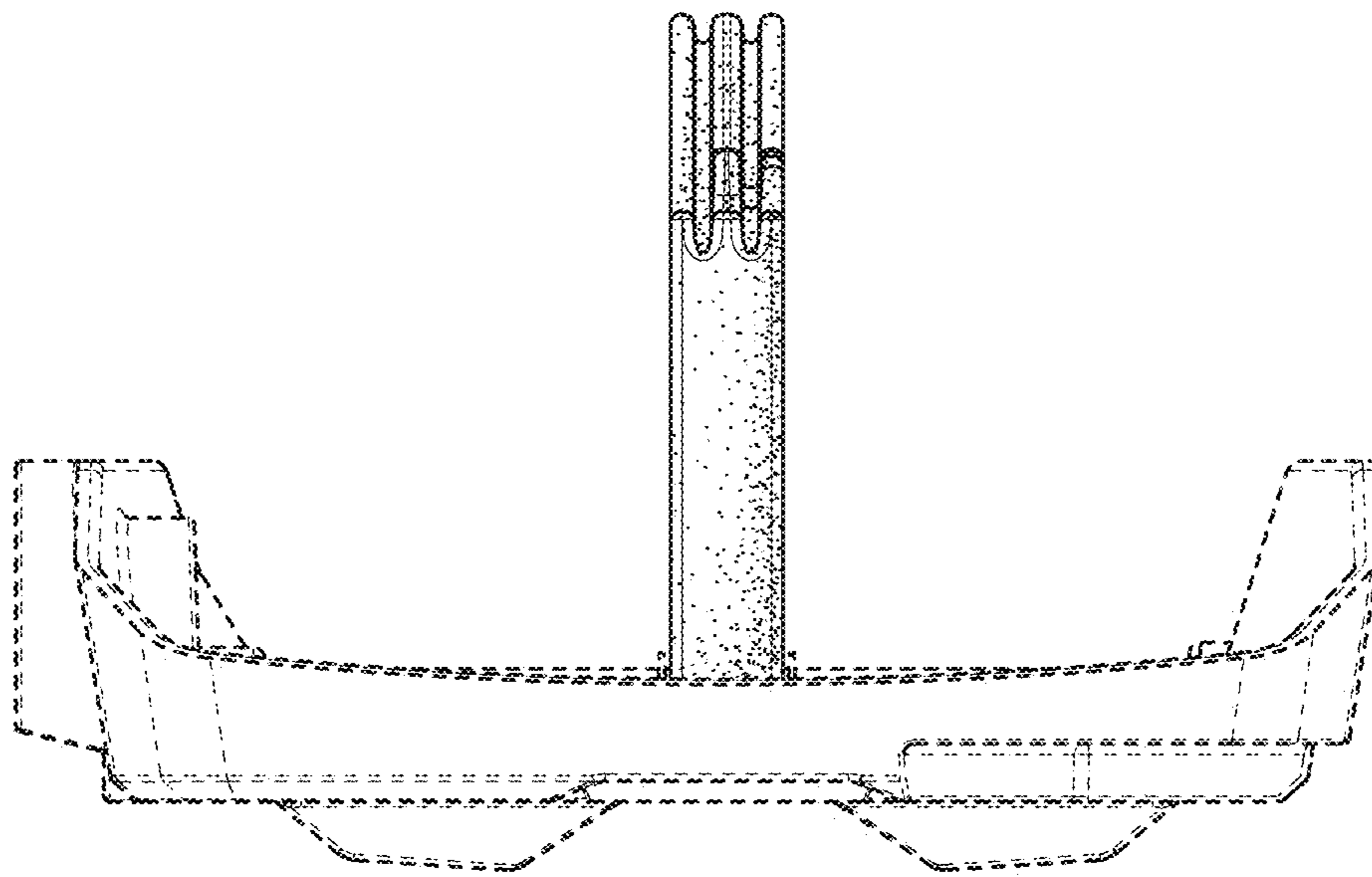


FIG. 5

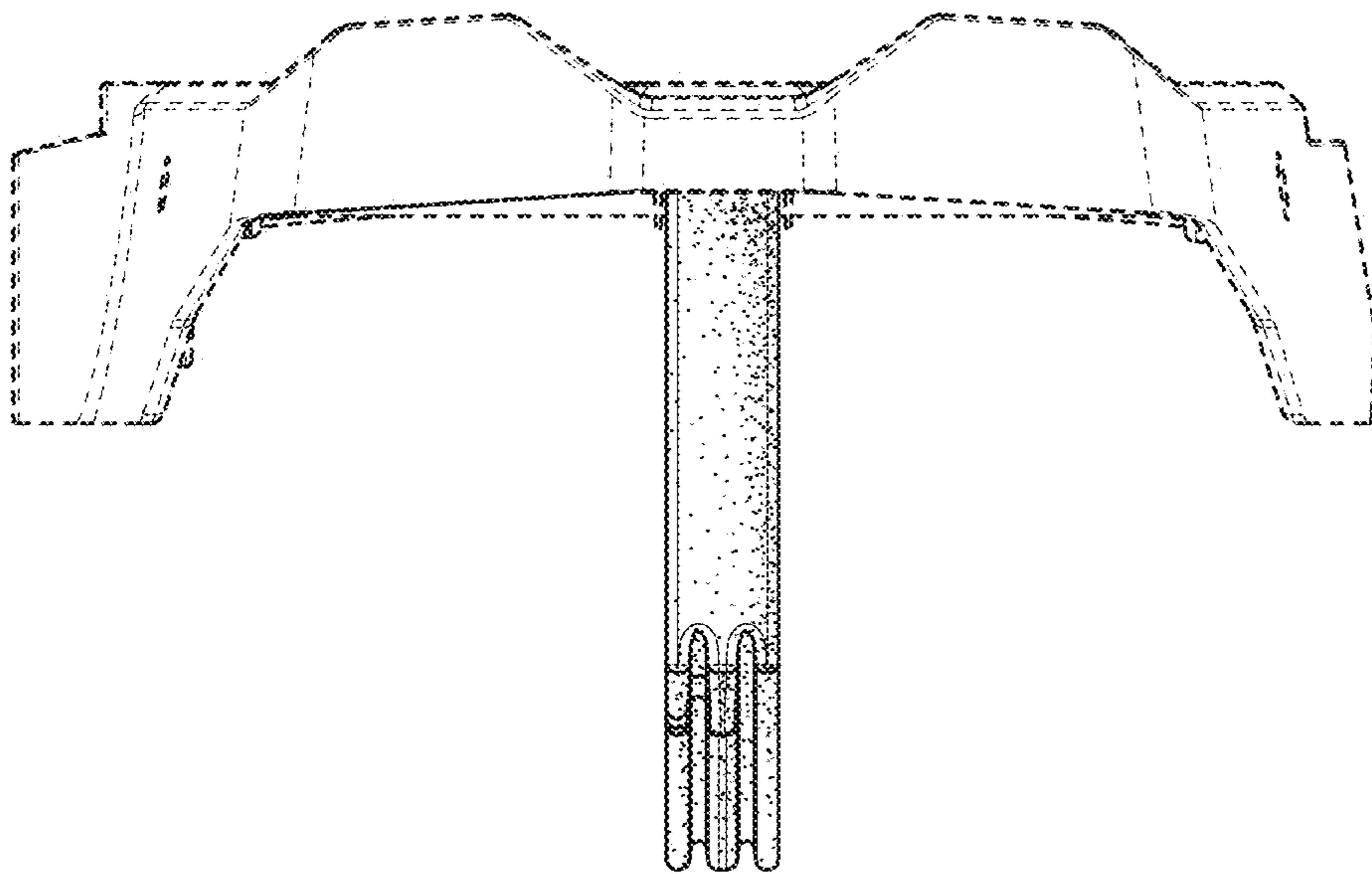


FIG. 6

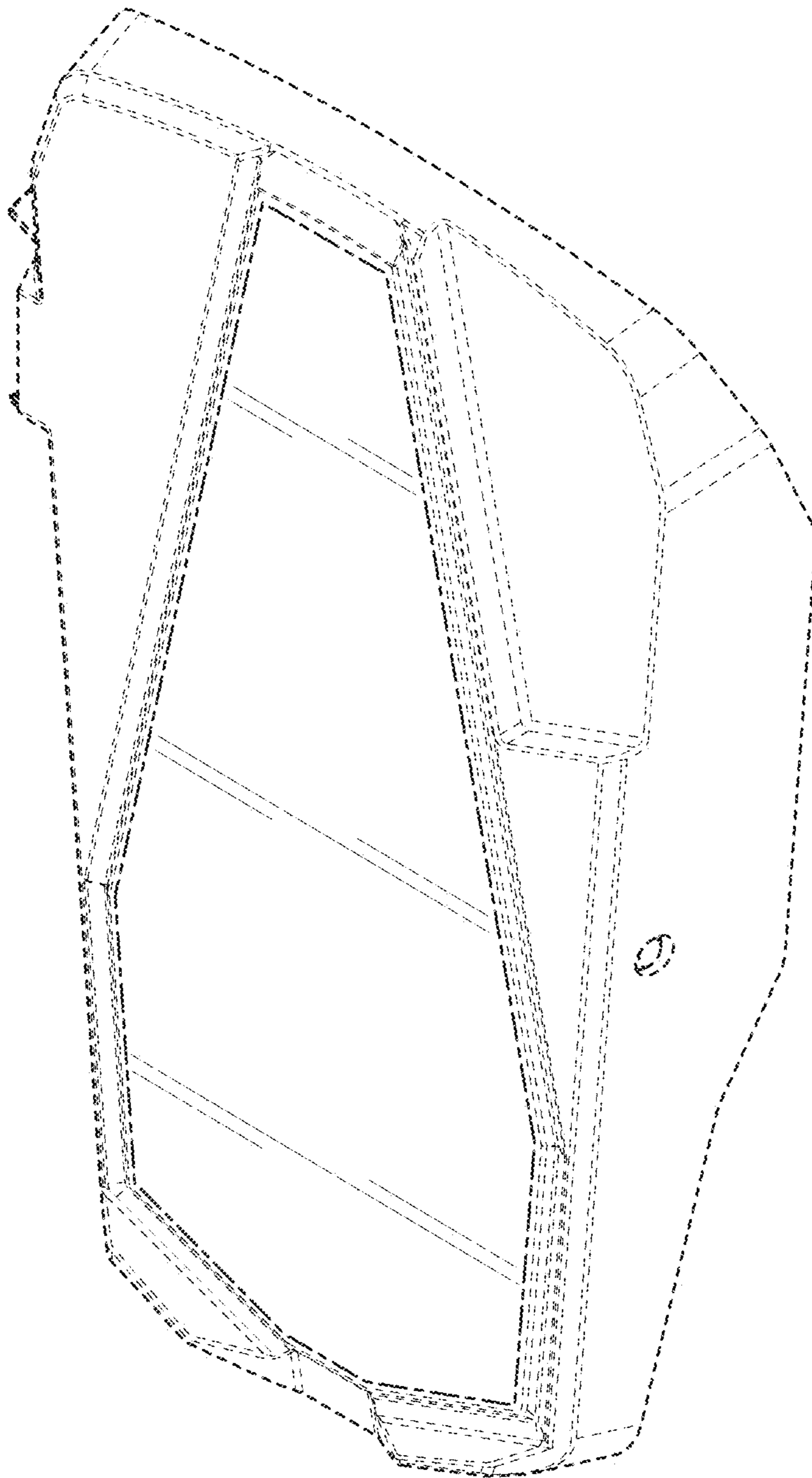


FIG. 7

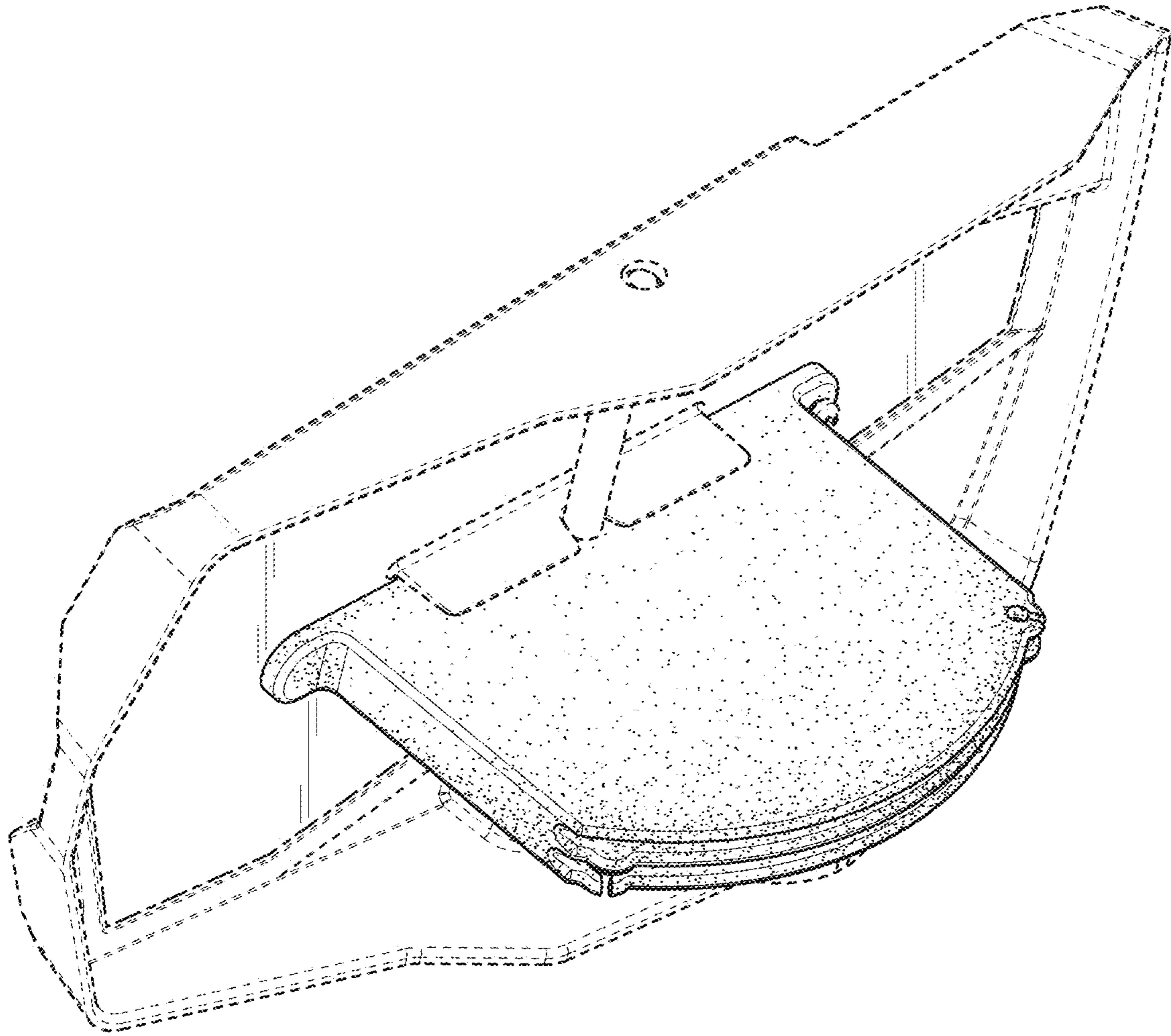


FIG. 8

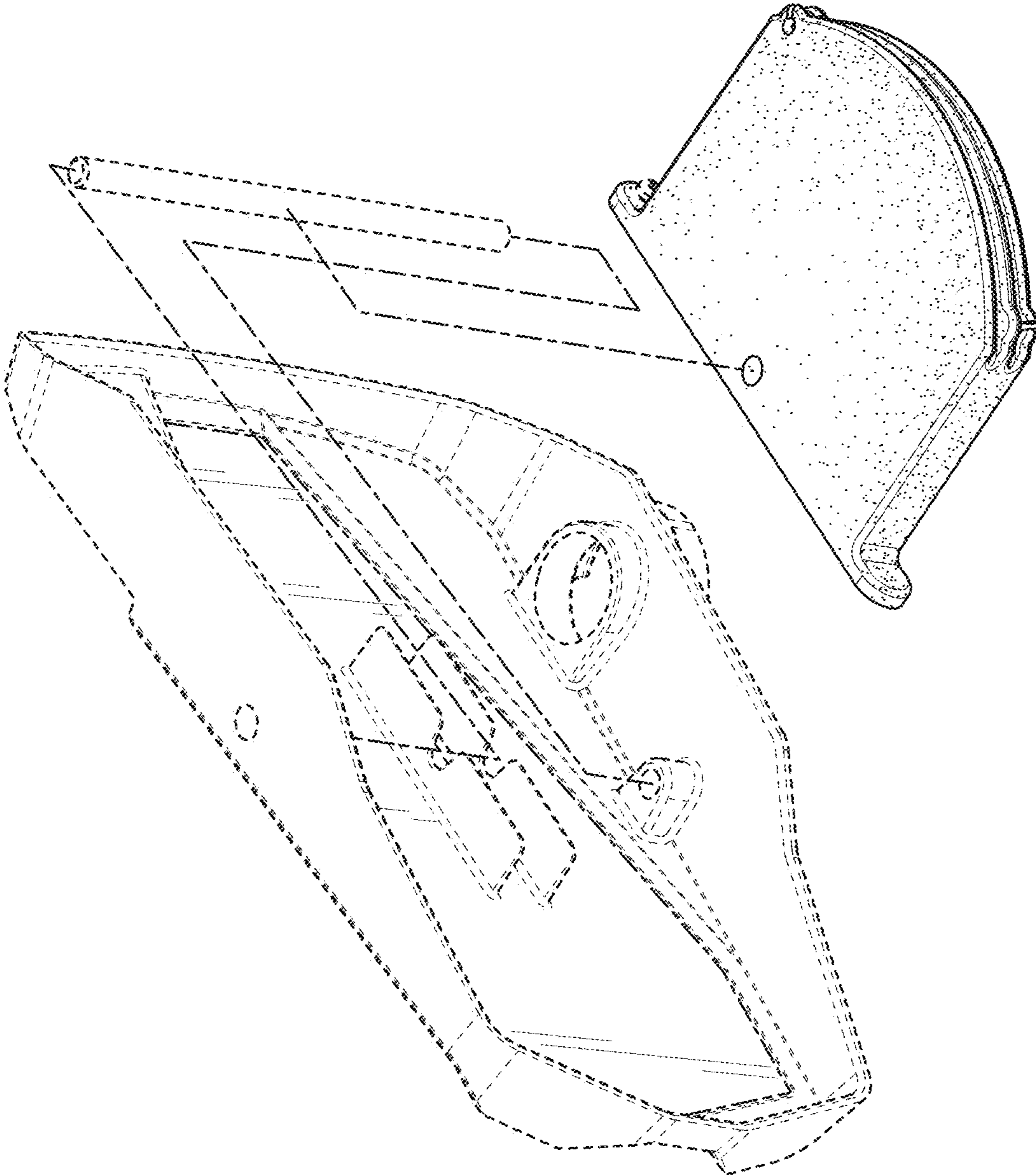


FIG. 9