



US00D966320S

(12) **United States Design Patent**
Macias et al.

(10) **Patent No.:** **US D966,320 S**
(45) **Date of Patent:** **** Oct. 11, 2022**

(54) **DISPLAY SCREEN WITH A GRAPHICAL USER INTERFACE FOR POWER MANAGEMENT**

(71) Applicant: **Brunswick Corporation**, Lake Forest, IL (US)

(72) Inventors: **Robert P. Macias**, Merritt Island, FL (US); **John T. Ledden**, Edgewater, FL (US)

(73) Assignee: **Brunswick Corporation**, Mettawa, IL (US)

(**) Term: **15 Years**

(21) Appl. No.: **29/810,453**

(22) Filed: **Oct. 5, 2021**

Related U.S. Application Data

(62) Division of application No. 29/724,340, filed on Feb. 14, 2020, now Pat. No. Des. 940,190.

(51) **LOC (13) Cl.** **14-04**

(52) **U.S. Cl.**
USPC **D14/486**

(58) **Field of Classification Search**
USPC D14/485-95
CPC G06F 3/048; G06F 3/0481; G06F 3/04812; G06F 3/04815; G06F 3/04817; G06F 3/0482; G06F 3/0483; G06F 3/0484; G06F 3/04842; G06F 3/04845; G06F 3/04847; G06F 3/0485; G06F 3/0486; G06F 3/0487; G06F 3/0488; G06F 3/04883; G06F 3/04886

See application file for complete search history.

(56) **References Cited**

U.S. PATENT DOCUMENTS

D478,596 S * 8/2003 Cockerill D14/489
7,143,363 B1 * 11/2006 Gaynor B63J 99/00
701/487

D594,018 S * 6/2009 Ball D14/486
D597,101 S * 7/2009 Chaudhri D14/488
8,058,982 B2 11/2011 Crowe et al.
D653,672 S * 2/2012 Friedlander D14/487
D665,398 S * 8/2012 Carpenter D14/492
D687,455 S * 8/2013 Edwards D14/486
D695,303 S * 12/2013 Stovicek D14/486

(Continued)

OTHER PUBLICATIONS

Miami 2017 Sea Ray debuts L550, <https://www.tradeonlytoday.com/boat-shows/miami-2017-sea-ray-debuts-l550-switching-system-to-vip-audience> (Year: 2017).*

(Continued)

Primary Examiner — Melanie H Tung

Assistant Examiner — Darmawan Truong

(74) *Attorney, Agent, or Firm* — Andrus Intellectual Property Law, LLP

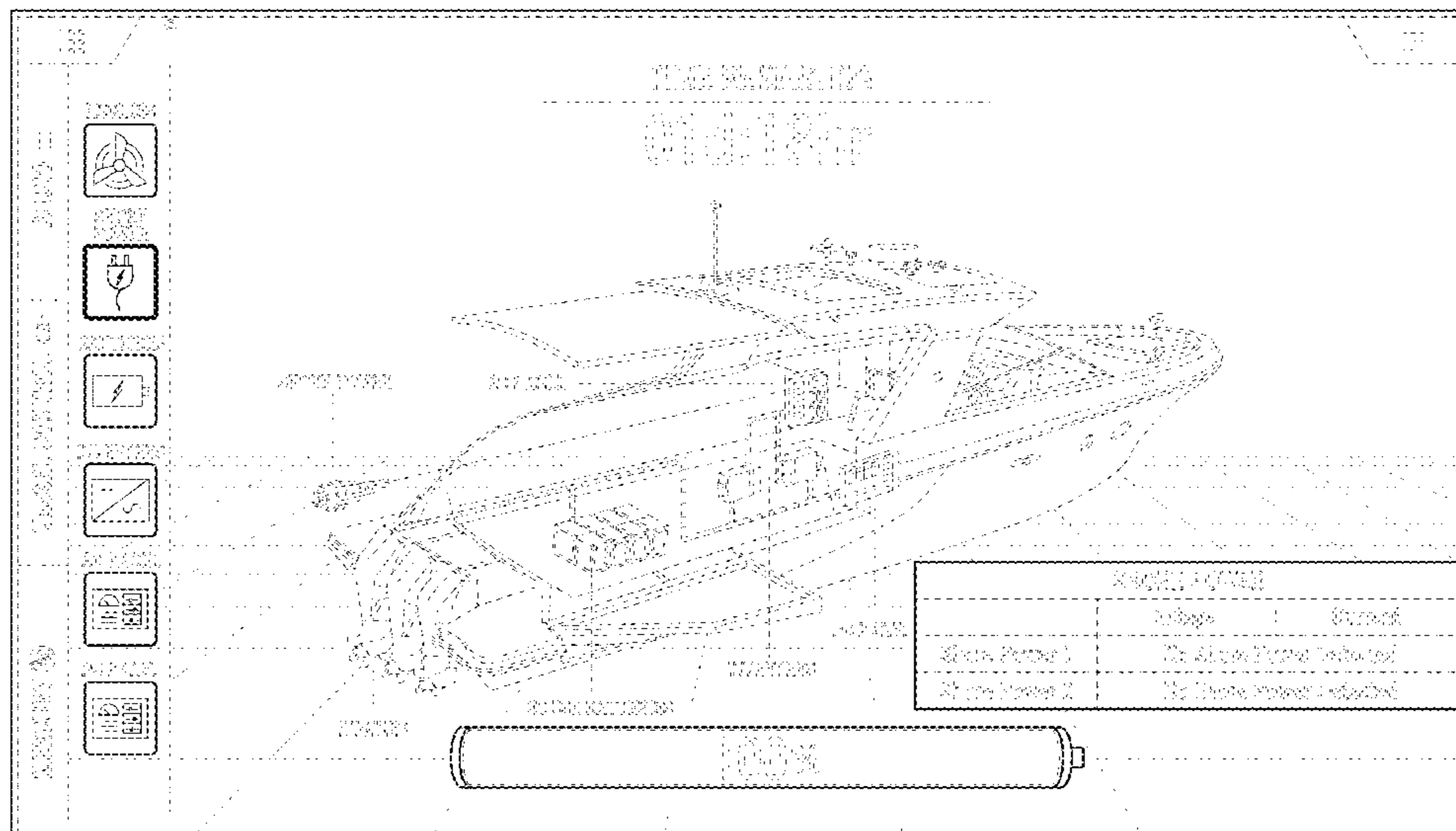
(57) **CLAIM**

The ornamental design for a display screen with graphical user interface for power management, as shown and described.

DESCRIPTION

FIG. 1 is a front view of a first embodiment of a display screen with a graphical user interface for power management according to the new and ornamental design; FIG. 2 is a second embodiment thereof; FIG. 3 is a third embodiment thereof; FIG. 4 is a fourth embodiment thereof; and, FIG. 5 is a fifth embodiment thereof. The broken lines showing the display screen form no part of the design. The remaining broken lines showing portions of the graphical user interface form no part of the claimed design.

1 Claim, 5 Drawing Sheets



(56)

References Cited

U.S. PATENT DOCUMENTS

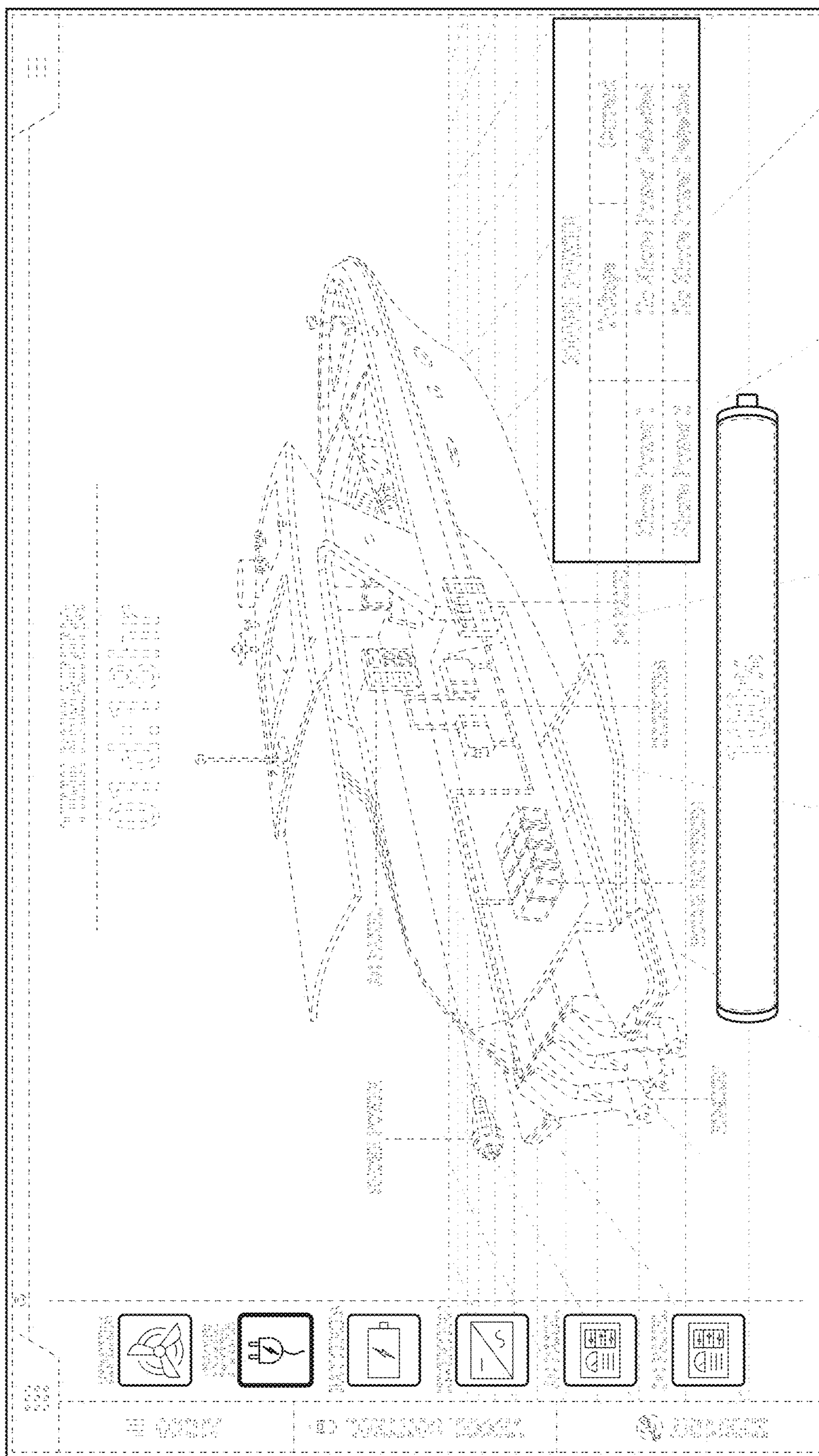
8,670,885 B2 3/2014 Gilman et al.
 8,836,544 B1 9/2014 Balogh
 D715,833 S * 10/2014 Rebstock D14/488
 D757,033 S * 5/2016 Comfort D14/485
 D757,765 S * 5/2016 Moon D14/486
 D761,290 S * 7/2016 Chen D14/486
 D769,886 S * 10/2016 Kurita D14/485
 D771,114 S * 11/2016 Lee D14/487
 D819,040 S * 5/2018 Grace D14/485
 9,981,555 B2 5/2018 Kishida
 D822,044 S * 7/2018 Kinoshita D14/486
 D826,238 S * 8/2018 Toth D14/485
 10,052,954 B2 8/2018 Skaff et al.
 D890,798 S * 7/2020 Heffernan D14/486
 D904,419 S * 12/2020 Grace D14/487
 D940,190 S * 1/2022 Macias D14/488

2010/0052888 A1 3/2010 Crowe et al.
 2010/0280635 A1* 11/2010 Cohn G06F 11/0757
 700/90
 2011/0095878 A1 4/2011 Skaff et al.

OTHER PUBLICATIONS

Panbo Digital Switching, <https://panbo.com/digital-switching-raymarine-empirbus-simrad-naviops-offshore-octoplex-garmin-and-czone/> (Year: 2015).
 Panbo information display and ship control, <https://panbo.com/information-display-and-ship-control-hands-on-with-next-generation-boat-managementinterfaces/> (Year: 2019).
 Raymarine Digital Switching, <https://www.raymarine.com/view/blog/news/details/index-ID=15032389124.html> (Year: 2018).
 Raymarine digital switching czone, <https://web.archive.org/web/20200121230651/https://www.raymarine.com/multifunction-displays/digitalswitching/> (Year: 2020).

* cited by examiner



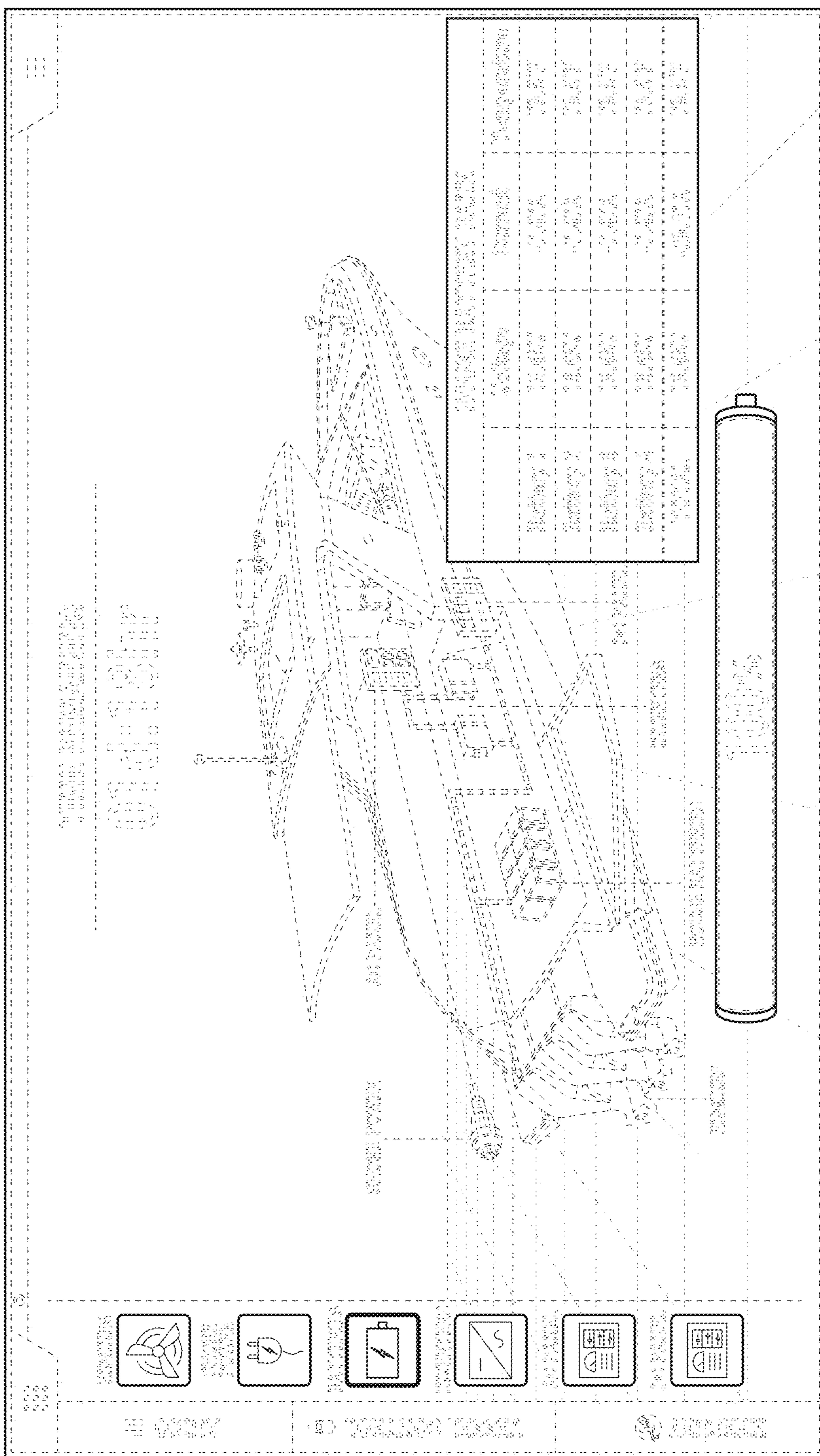


FIG. 2

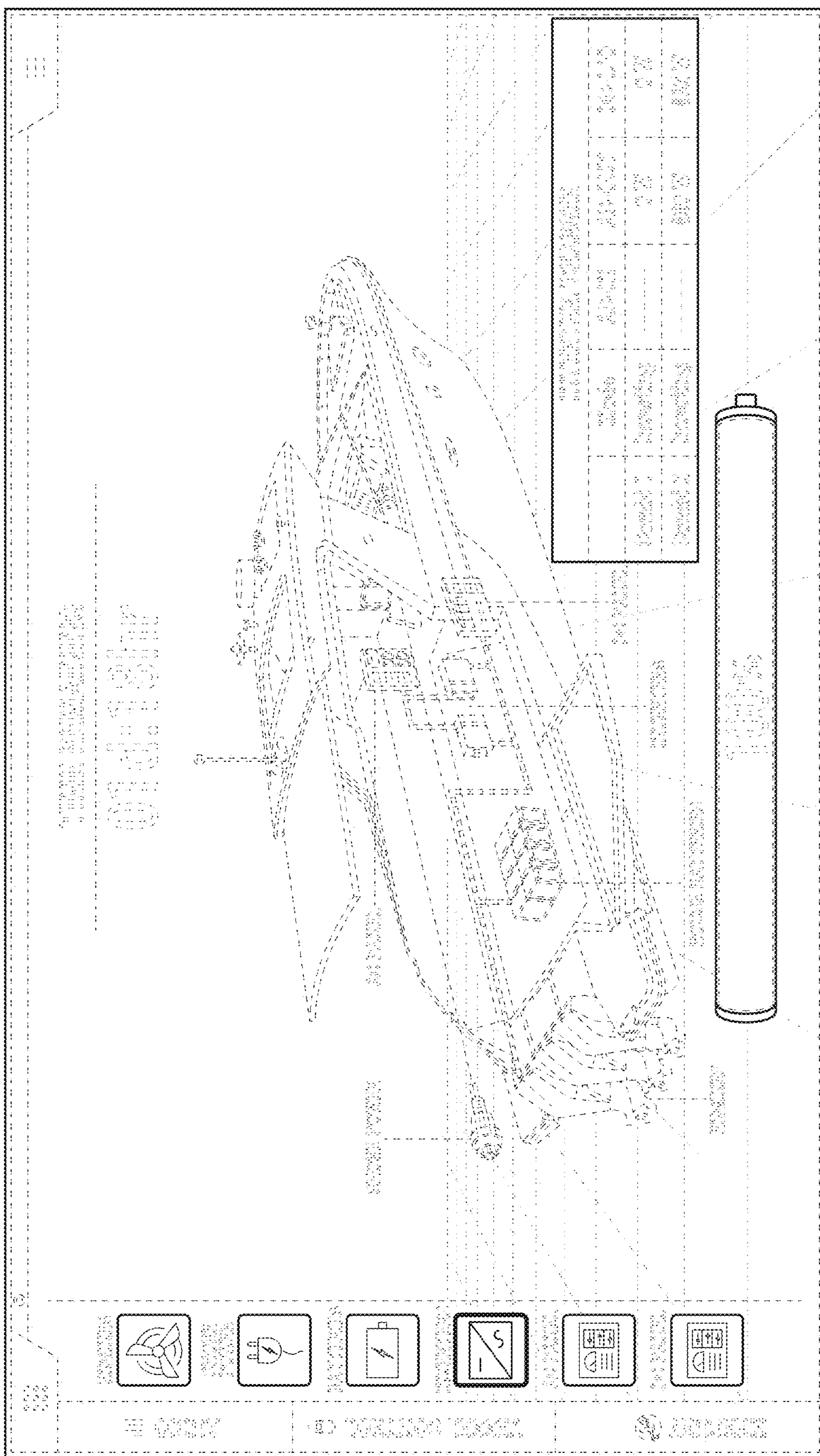


FIG. 3

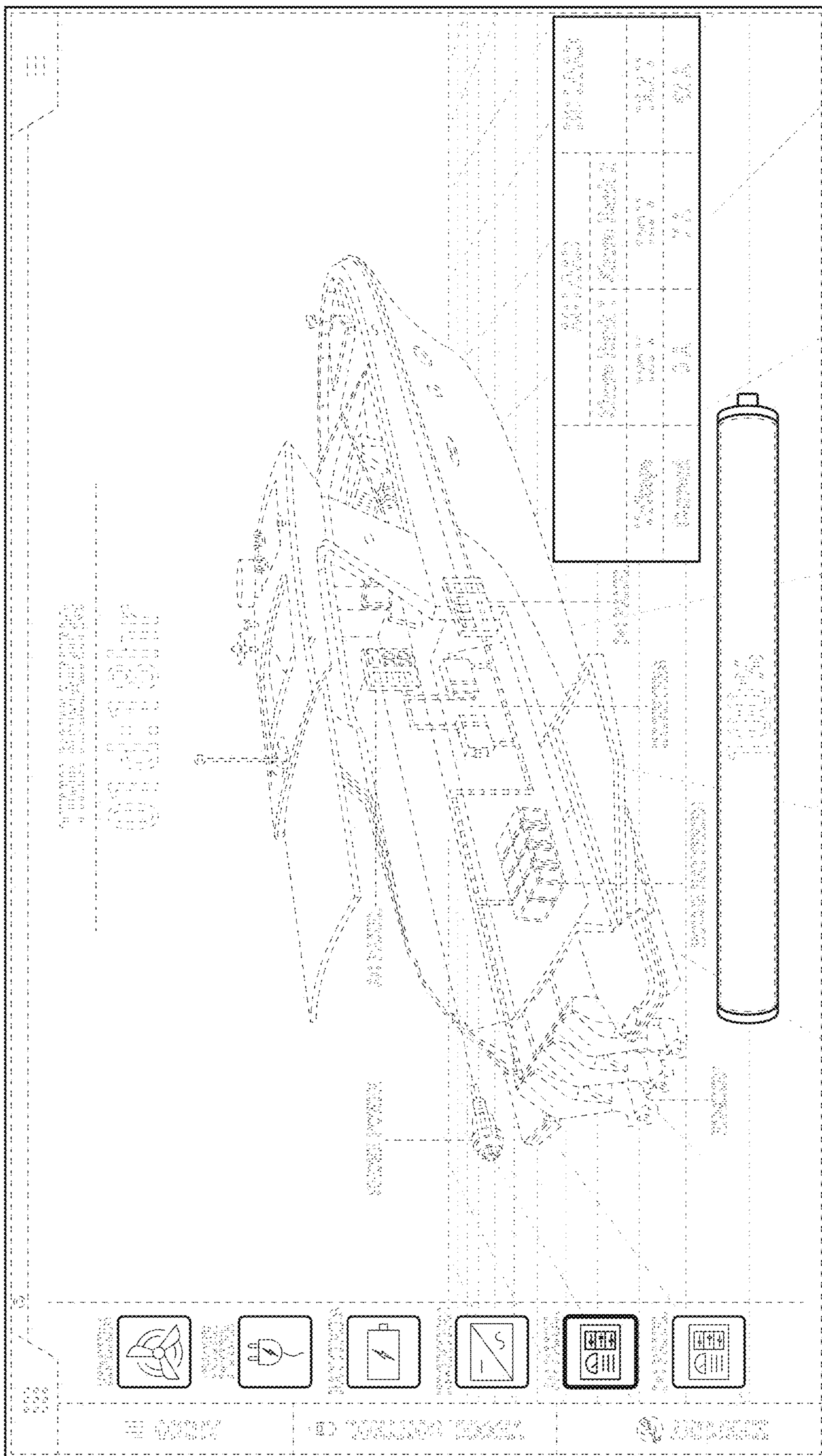


FIG. 4

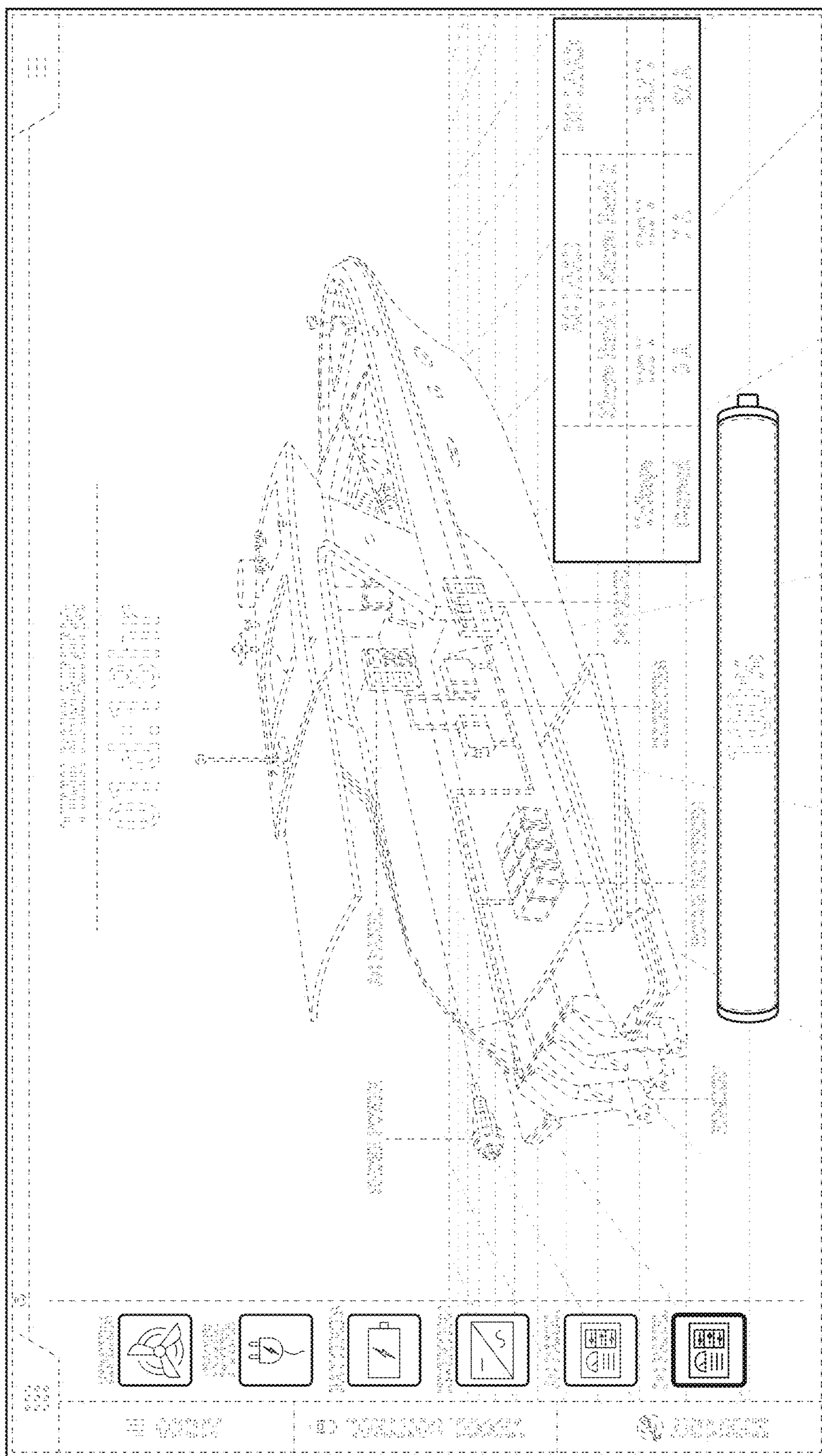


FIG. 5

UNITED STATES PATENT AND TRADEMARK OFFICE
CERTIFICATE OF CORRECTION

PATENT NO. : D966,320 S
APPLICATION NO. : 29/810453
DATED : October 11, 2022
INVENTOR(S) : Robert P. Macias

Page 1 of 1

It is certified that error appears in the above-identified patent and that said Letters Patent is hereby corrected as shown below:

On the Title Page

Item (71) The applicant address should read Mettawa, IL (US)

Signed and Sealed this
Seventeenth Day of January, 2023



Katherine Kelly Vidal
Director of the United States Patent and Trademark Office