



US00D966280S

(12) **United States Design Patent** (10) **Patent No.:** **US D966,280 S**
Pekrul et al. (45) **Date of Patent:** **** Oct. 11, 2022**

(54) **BASE**

(71) Applicant: **CERAXIS HEALTH, INC.**, Cleveland, OH (US)

(72) Inventors: **Christopher Pekrul**, Boston, MA (US);
Scott Kokones, Brookline, MA (US);
Omar Ansari, San Francisco, CA (US);
Eugina Chun, San Francisco, CA (US);
Brian Hoffer, San Francisco, CA (US);
John Lai, San Francisco, CA (US);
Adam Little, San Francisco, CA (US);
David Lubensky, San Francisco, CA (US)

(73) Assignee: **CERAXIS HEALTH, INC.**, Cleveland, OH (US)

(**) Term: **15 Years**

(21) Appl. No.: **29/737,007**

(22) Filed: **Jun. 4, 2020**

(51) **LOC (13) Cl.** **14-99**

(52) **U.S. Cl.**
USPC **D14/454**; D13/108

(58) **Field of Classification Search**

USPC D14/125, 204, 216, 242, 252, 356, 366,
D14/432, 454, 411; D11/152; D23/366;
D13/108; D24/185, 186, 187, 200, 214
CPC ... A61B 5/6897; A61B 5/1101; A61B 5/4082;
A61B 5/7455; A61B 5/7475; A61B
5/0004; A61B 5/7445; A61B 2560/0456;
A61B 2562/0219; A61B 2562/0223;
A61B 2560/0214; G06F 3/0346; G06F
3/039; G06F 3/038; G06F 3/044; G06F
3/016; G06F 3/03545; G06F 2203/0384;
H02J 7/02

See application file for complete search history.

(56) **References Cited**

U.S. PATENT DOCUMENTS

2,694,259 A * 11/1954 Rovner B43L 11/00
33/27.08
D478,531 S * 8/2003 Abbud D11/152
(Continued)

FOREIGN PATENT DOCUMENTS

EM 008309082-0002 * 12/2020

OTHER PUBLICATIONS

“Belkin Stylus Stand and Base for Apple Pencil . . .”, first available Jun. 21, 2016, amazon.com, [online], [site visited Feb. 9, 2022], Available from internet URL: <https://www.amazon.com/Belkin-Stylus-Stand-Apple-Pencil/dp/B01FWY7VD2> (Year: 2016).*

(Continued)

Primary Examiner — Leanne Was-Englehart

(74) *Attorney, Agent, or Firm* — Finnegan, Henderson, Farabow, Garrett & Dunner, LLP

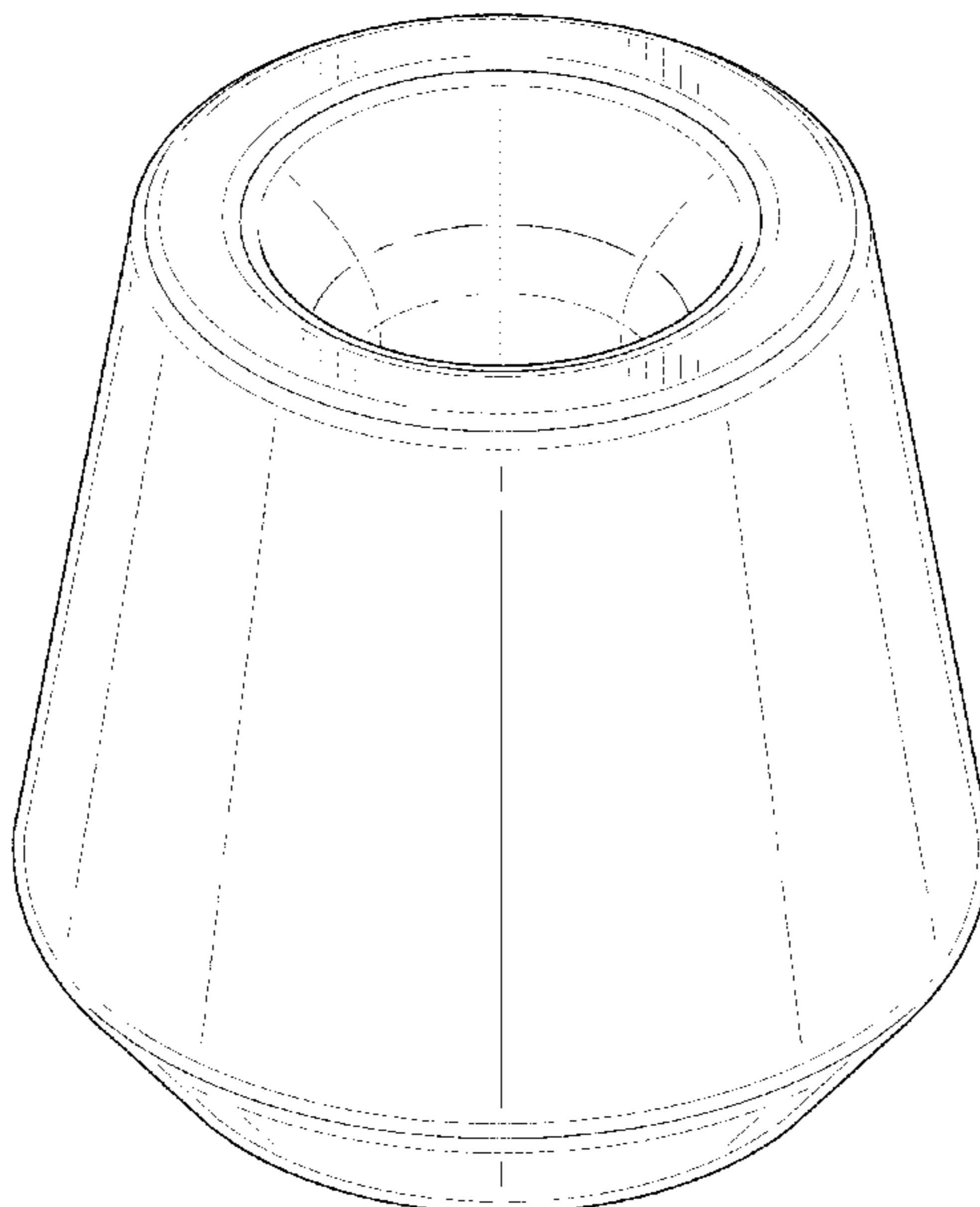
(57) **CLAIM**

The ornamental design for a base, as shown and described.

DESCRIPTION

FIG. 1 is a front, top perspective view for a base, showing the new design;
FIG. 2 is a rear, bottom perspective view thereof;
FIG. 3 is a top plan view thereof;
FIG. 4 is a bottom plan view thereof;
FIG. 5 is a front elevation view, wherein the rear elevation, left side, and right side views are identical thereto;
FIG. 6 is a cross sectional view thereof taken at the line 6-6 of FIG. 3; and,
FIG. 7 is a cross sectional view thereof taken at the line 7-7 of FIG. 3.
The dash-dot-dash broken lines in FIG. 7 represent the boundaries of the claim.

1 Claim, 7 Drawing Sheets



(56)

References Cited

U.S. PATENT DOCUMENTS

D695,399 S * 12/2013 Sadot D28/7
D766,128 S * 9/2016 Mihlbauer D11/152
D768,604 S * 10/2016 Flowers D13/108
D781,798 S * 3/2017 Klepper D14/125
D820,424 S * 6/2018 Li D23/366
D870,040 S * 12/2019 Wu D13/108
D916,656 S * 4/2021 Choe D27/183
D922,367 S * 6/2021 Garbelman D14/242
D927,418 S * 8/2021 Jones D27/183
D935,999 S * 11/2021 Fitch D13/108
D940,074 S * 1/2022 Bae D13/108
D951,963 S * 5/2022 Memke D14/453
2018/0154679 A1 * 6/2018 Mitchell G06F 3/03545
2019/0384417 A1 * 12/2019 Kim B43K 23/002
2019/0384418 A1 * 12/2019 Kim F16M 11/2057
2021/0219921 A1 * 7/2021 Pekrul A61B 5/6897

OTHER PUBLICATIONS

Amazon Belkin Stylus Stand and Base for Apple Pencil <https://www.amazon.com/Belkin-Stylus-Stand-Apple-Pencil/dp/B01FWY7VD2> Jun. 2, 2016 (Year: 2016).*

* cited by examiner

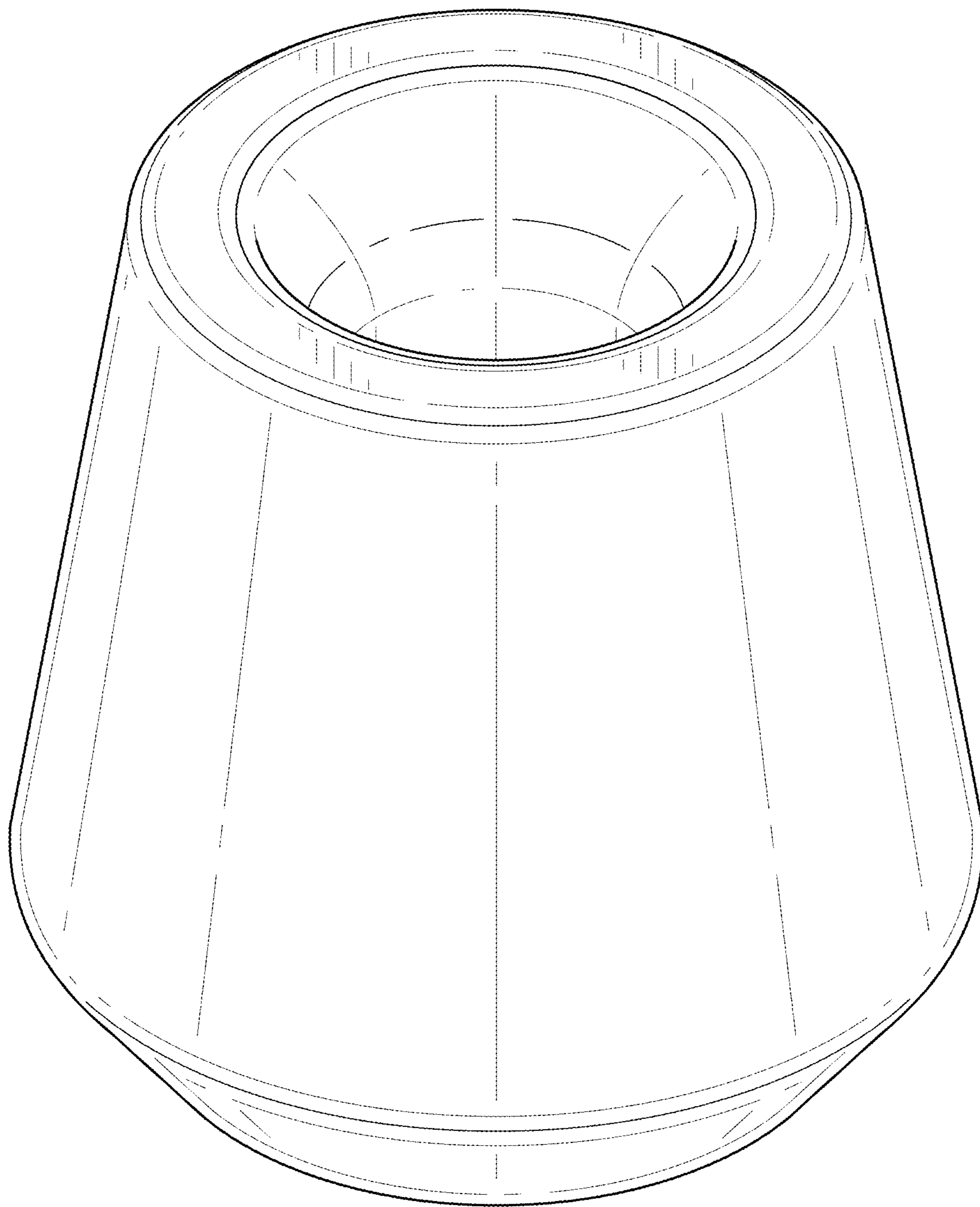


FIG. 1

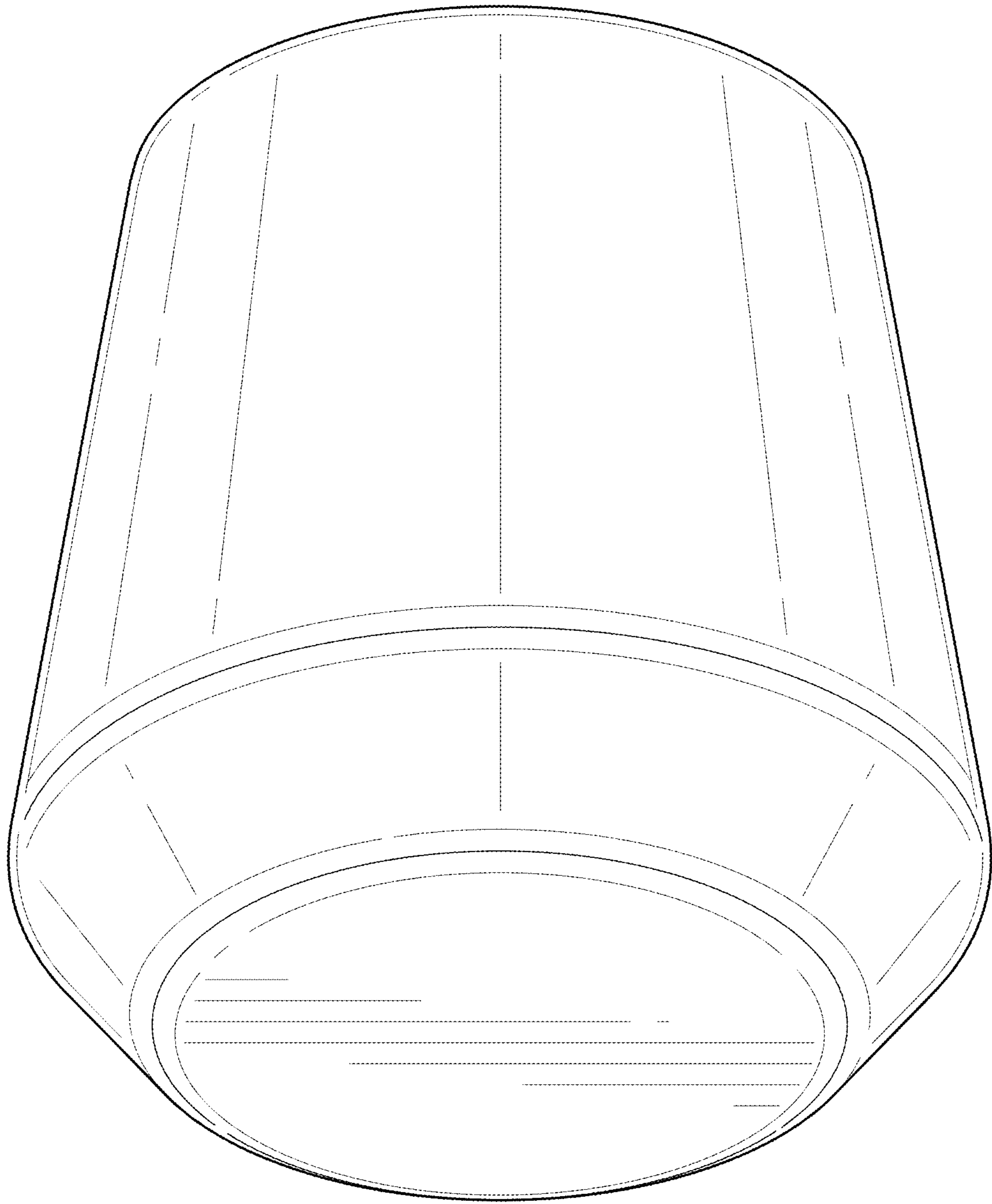


FIG. 2

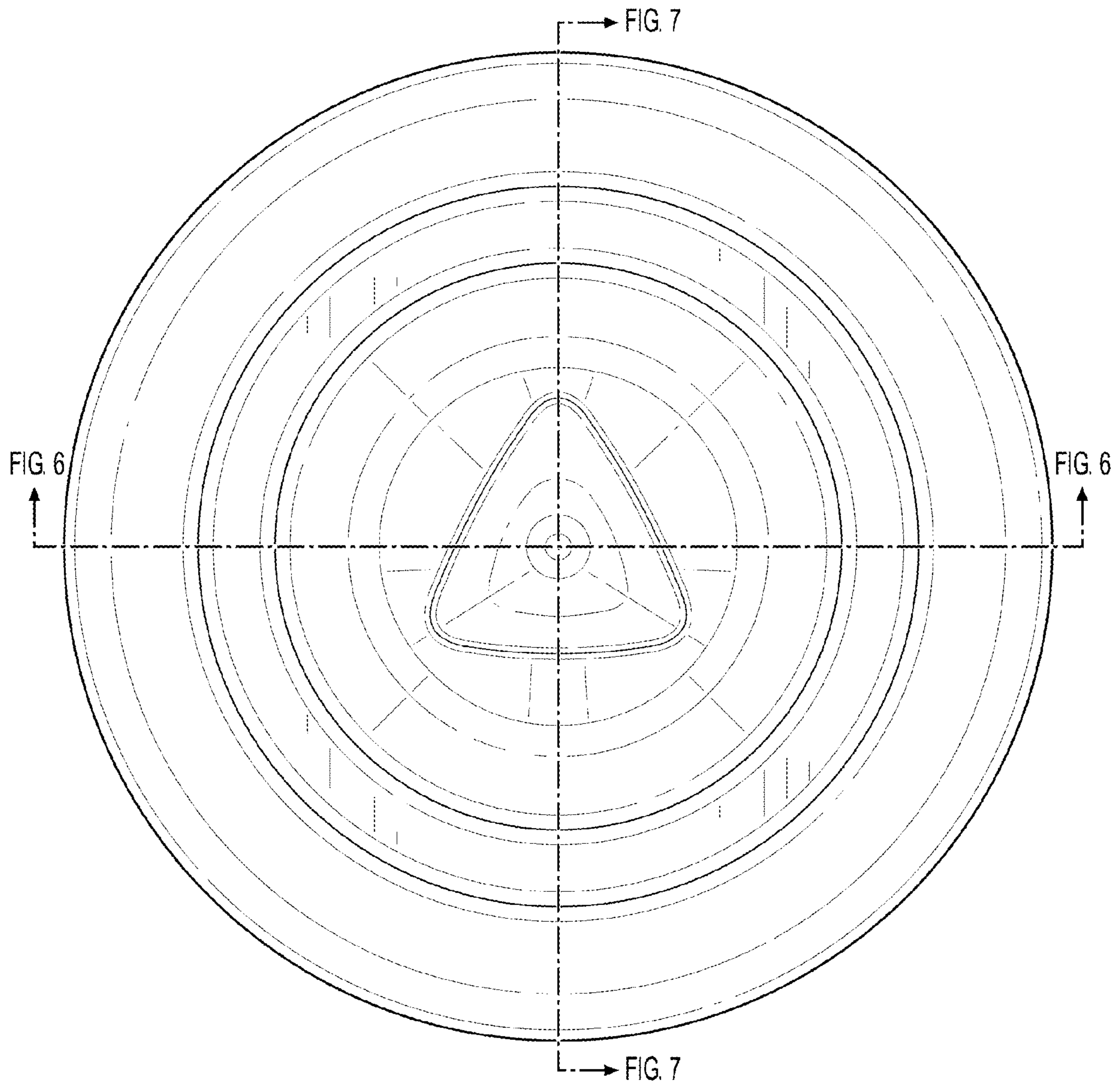


FIG. 3

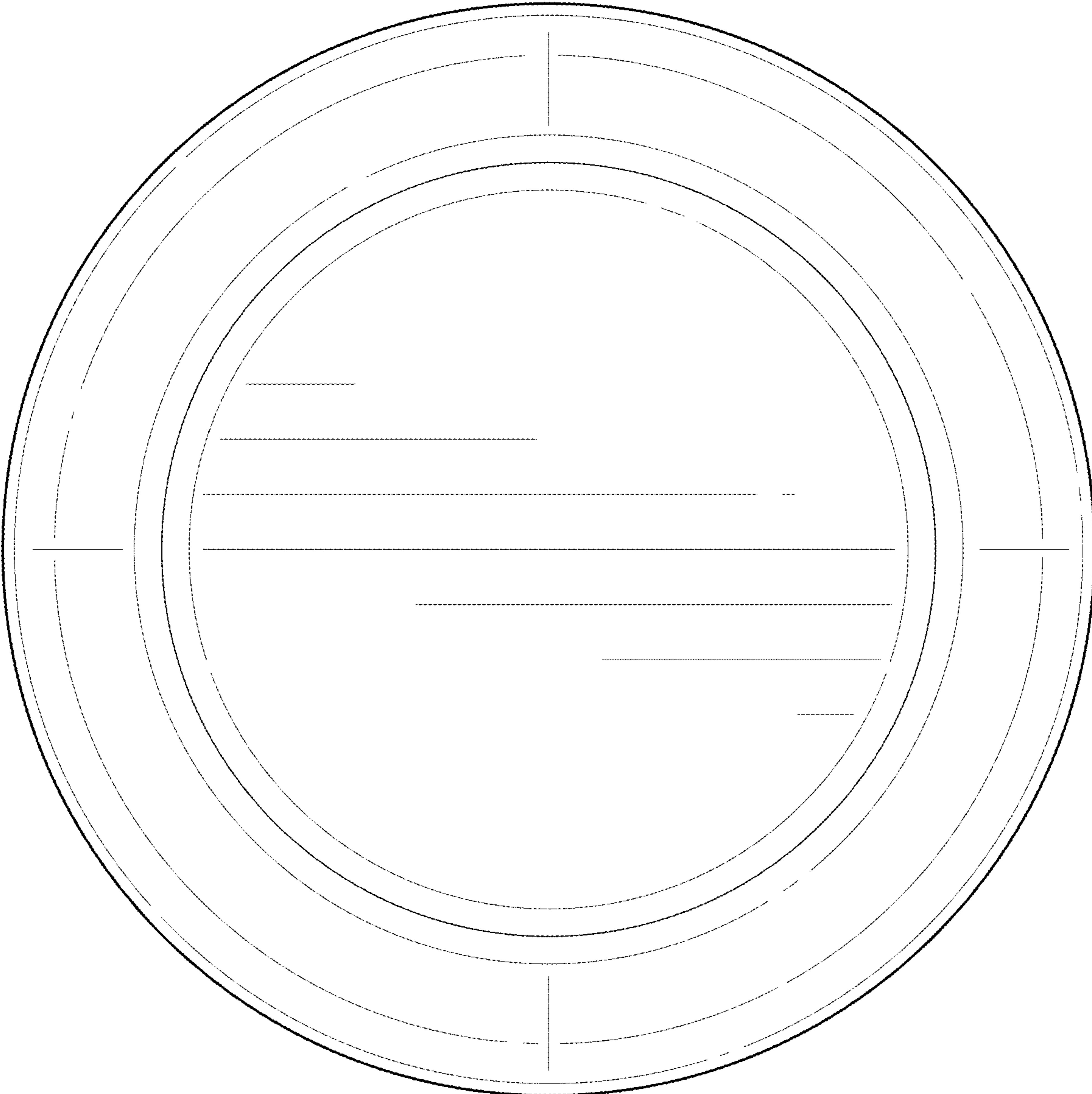


FIG. 4

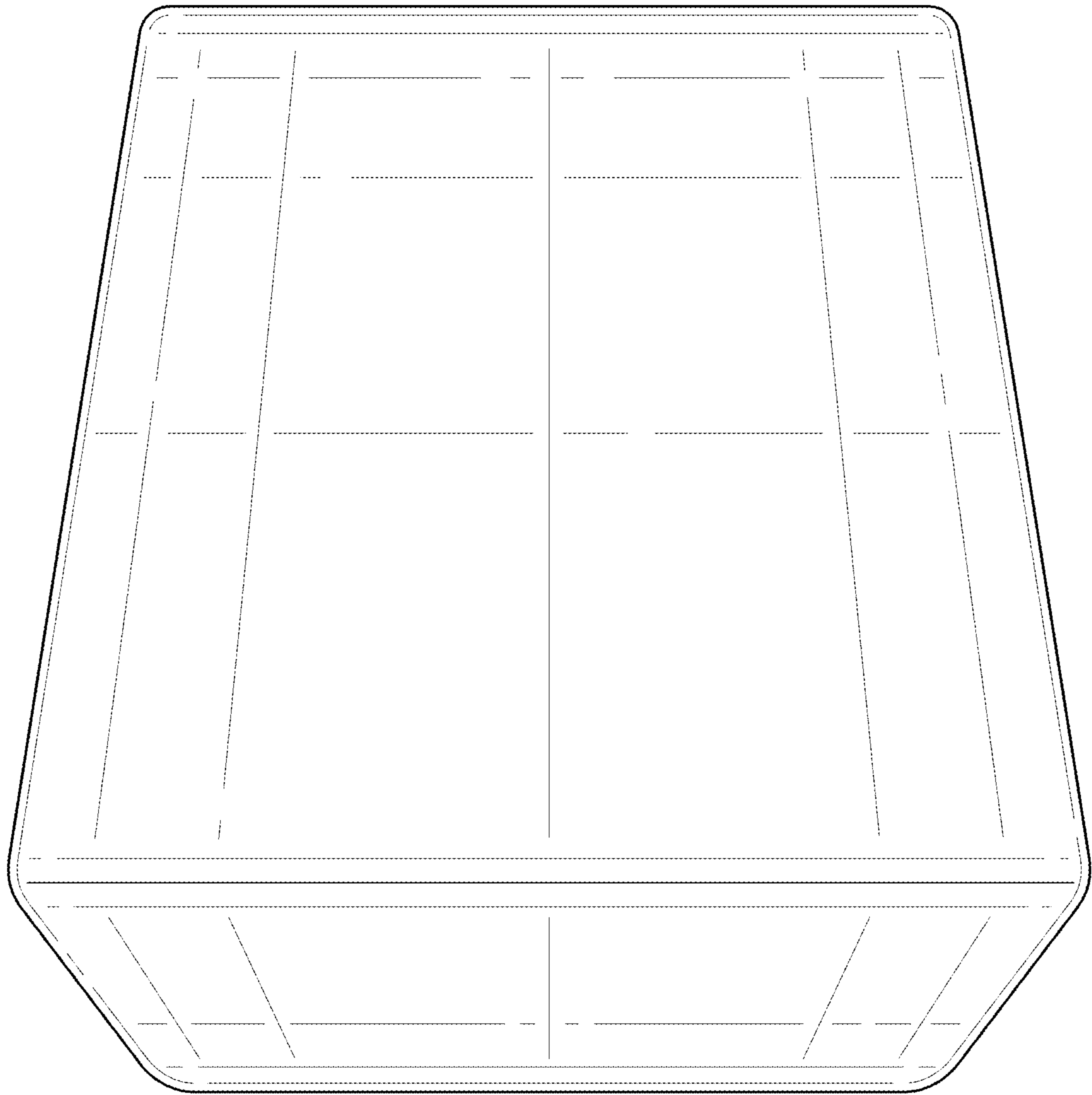


FIG. 5

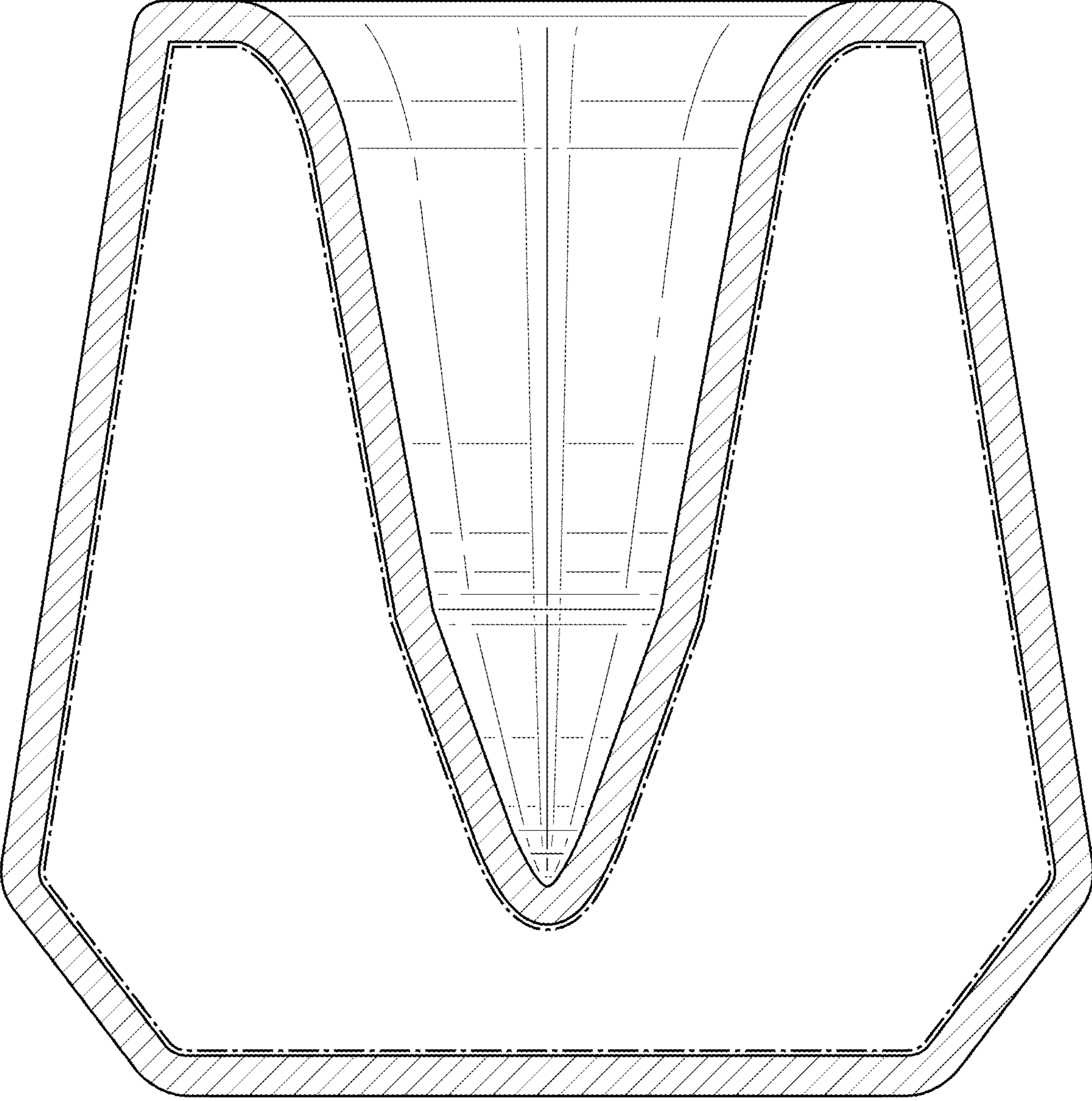


FIG. 6

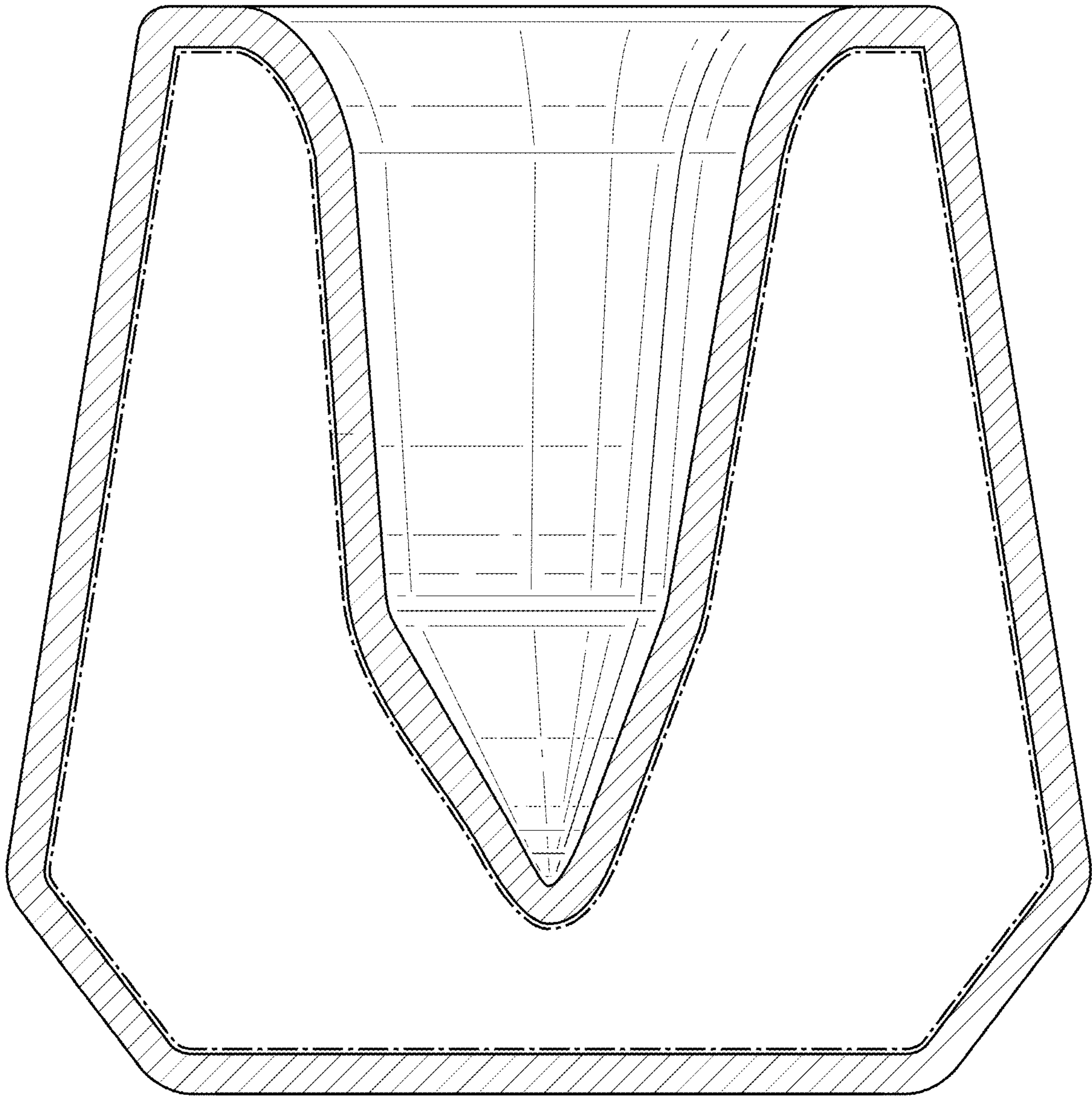


FIG. 7