



US00D966279S

(12) **United States Design Patent** (10) **Patent No.:** **US D966,279 S**
Ok (45) **Date of Patent:** **** Oct. 11, 2022**

(54) **HOLDER FOR A DISPLAY PANEL**

(71) Applicant: **Moiin Co., Ltd.**, Seongnam-Si (KR)

(72) Inventor: **Jae Yun Ok**, Yongin-si (KR)

(**) Term: **15 Years**

(21) Appl. No.: **35/511,655**

(22) Filed: **Dec. 18, 2020**

(80) **Hague Agreement Data**

Int. Filing Date: **Dec. 18, 2020**

Int. Reg. No.: **DM/213317**

Int. Reg. Date: **Dec. 18, 2020**

Int. Reg. Pub. Date: **Apr. 2, 2021**

(30) **Foreign Application Priority Data**

Jun. 18, 2020 (KR) 30-2020-0027546

(51) **LOC (13) Cl.** **14-02**

(52) **U.S. Cl.**
USPC **D14/452; D14/447**

(58) **Field of Classification Search**
USPC D14/251, 252, 447, 451, 452, 457;
D15/199

CPC A47B 21/0314; A47B 2021/0321; A47B
2021/0364; A47B 21/02; A47B 21/04
See application file for complete search history.

(56) **References Cited**

U.S. PATENT DOCUMENTS

- 6,257,531 B1 * 7/2001 Penner A47B 21/0314
248/118.1
- D736,217 S * 8/2015 Wang D14/451
- D749,223 S * 2/2016 Vargas D24/185
- D758,375 S * 6/2016 Won D14/451
- D825,632 S * 8/2018 Clemmer D15/199
- D841,710 S * 2/2019 Klassen D15/199
- D847,823 S * 5/2019 Monsalve D14/452
- D848,444 S * 5/2019 Jung D14/452
- D891,497 S * 7/2020 Kouthoofd D15/199

- D906,392 S * 12/2020 Wappler D15/199
- D913,350 S * 3/2021 Gupta D15/199
- D921,645 S * 6/2021 Shu D14/452
- D923,679 S * 6/2021 Wappler D15/199
- D931,292 S * 9/2021 Kleist D14/452
- 2017/0196352 A1 * 7/2017 King F16M 11/18
- 2020/0191321 A1 * 6/2020 Kleist F16M 11/10

(Continued)

OTHER PUBLICATIONS

Top 5 Robotic Arms for your desktop, publication date Sep. 16, 2017, [online] URL: <https://www.youtube.com/watch?v=-69raWQ2DUc> (Year: 2017).*

(Continued)

Primary Examiner — L. A. Grabenstetter
(74) *Attorney, Agent, or Firm* — Antonio Ha & U.S. Patent, LLC

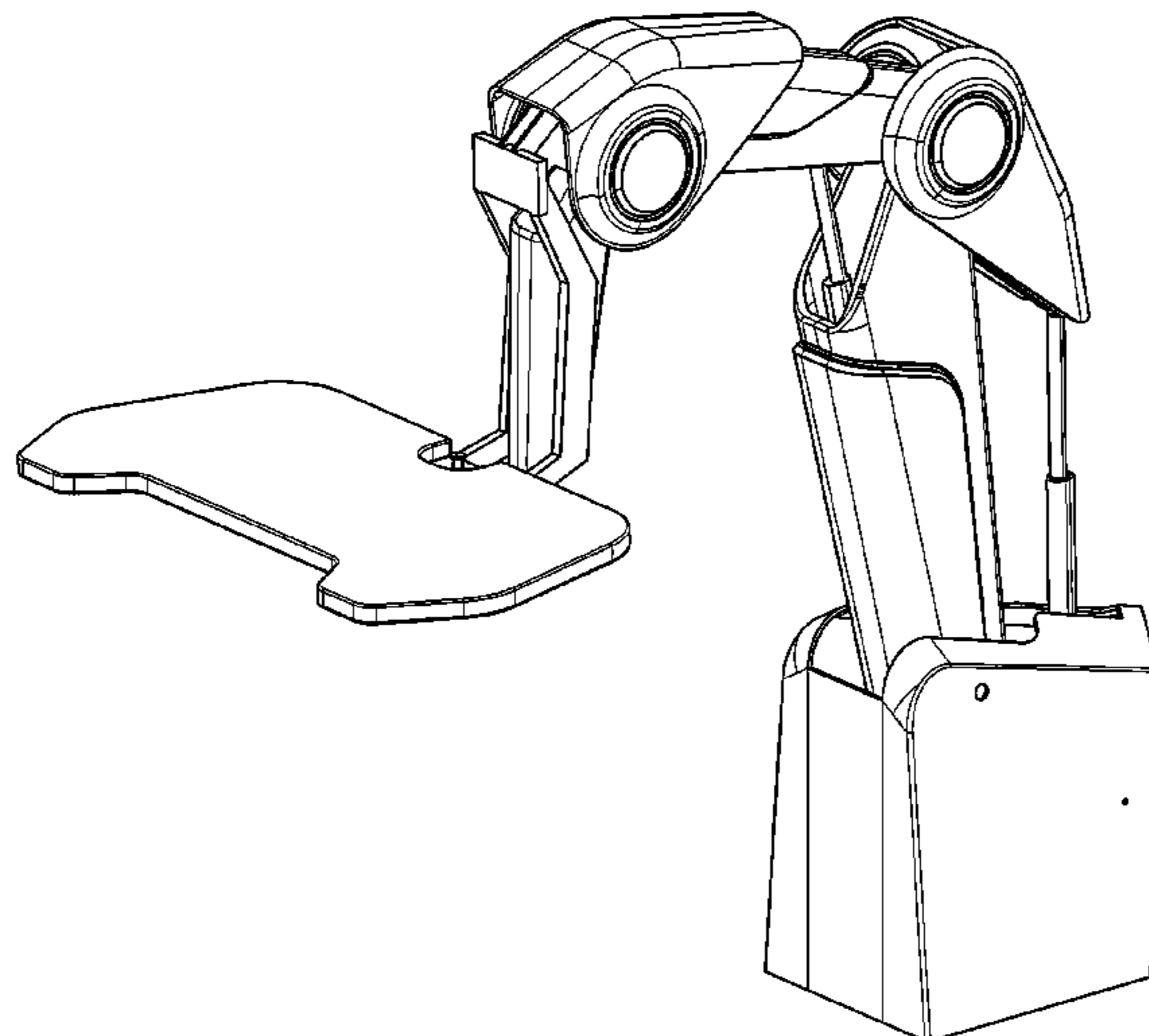
(57) **CLAIM**

The ornamental design for a holder for a display panel, as shown and described.

DESCRIPTION

1. Holder for a display panel
Fig. 1.1 illustrates a front perspective view of the subject design;
Fig. 1.2 illustrates a rear perspective view of the subject design;
Fig. 1.3 illustrates a bottom perspective view of the subject design;
Fig. 1.4 illustrates a front view of the subject design;
Fig. 1.5 illustrates a rear view of the subject design;
Fig. 1.6 illustrates a left view of the subject design;
Fig. 1.7 illustrates a right view of the subject design;
Fig. 1.8 illustrates a top view of the subject design; and
Fig. 1.9 illustrates a bottom view of the subject design.
The broken lines, and regions surrounded on all sides by broken lines, depict portions of the holder for a display panel that form no part of the claimed design.

1 Claim, 9 Drawing Sheets



(56)

References Cited

U.S. PATENT DOCUMENTS

2020/0331151 A1* 10/2020 Zsche B25J 9/102
2020/0338746 A1* 10/2020 Kouthoofd B25J 15/0019
2021/0252721 A1* 8/2021 Alspach B25J 15/12

OTHER PUBLICATIONS

Robodesk from Moiin, publication date Jul. 15, 2020, [online] URL:
<https://www.cnet.co.kr/view/?no=20200715120011> (Year: 2020).*

* cited by examiner

Fig. 1.1

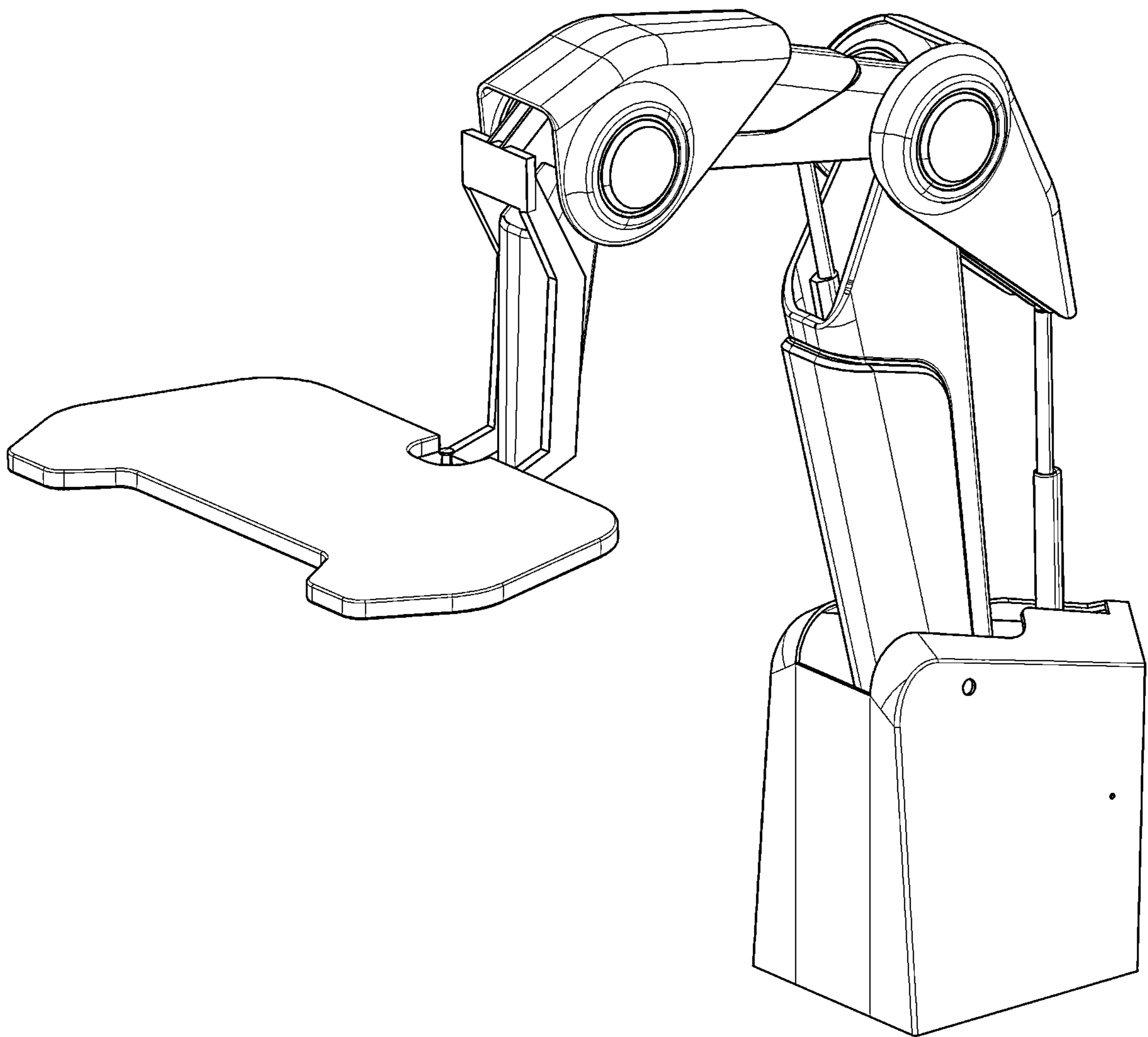


Fig. 1.2

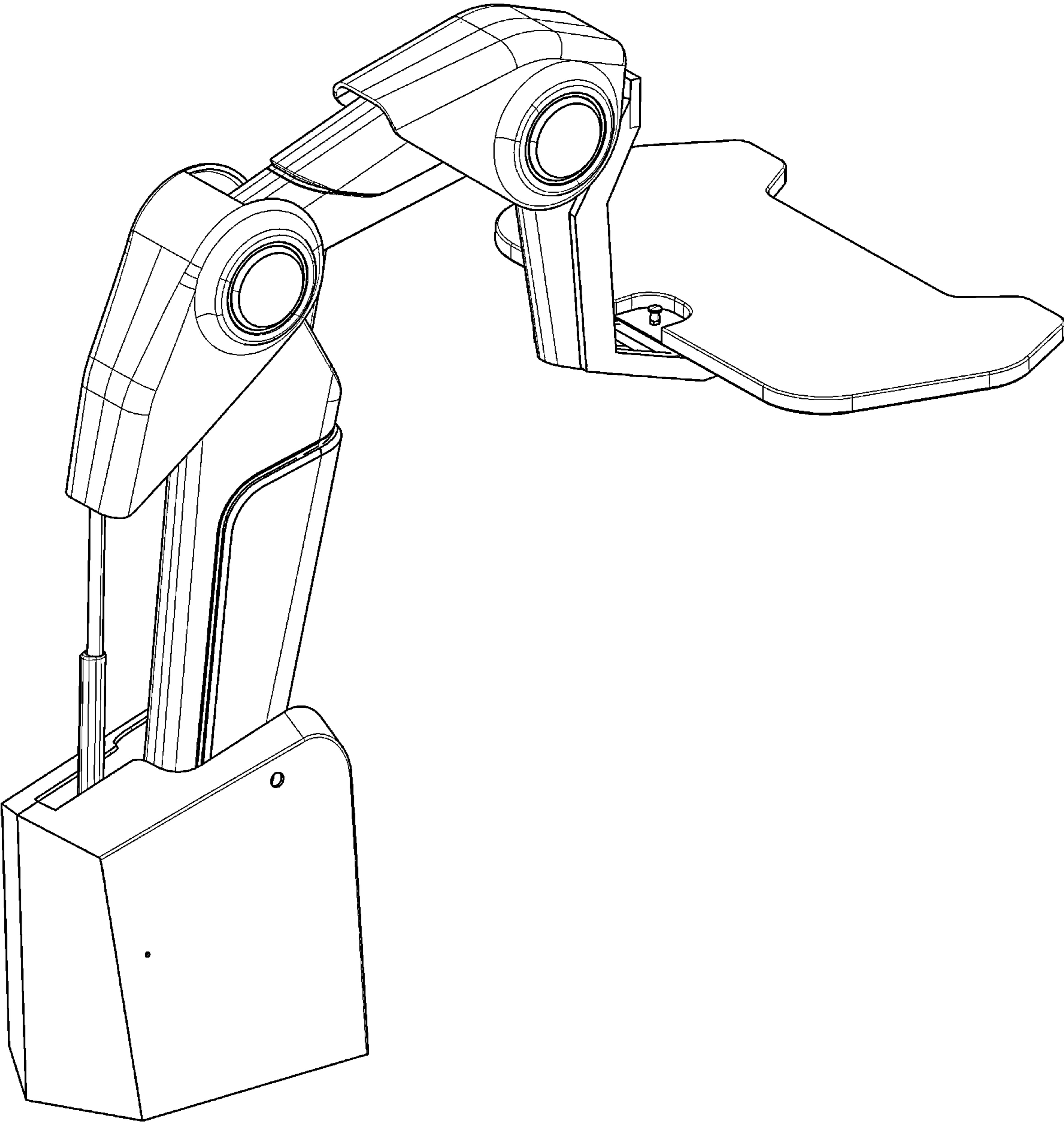


Fig. 1.3

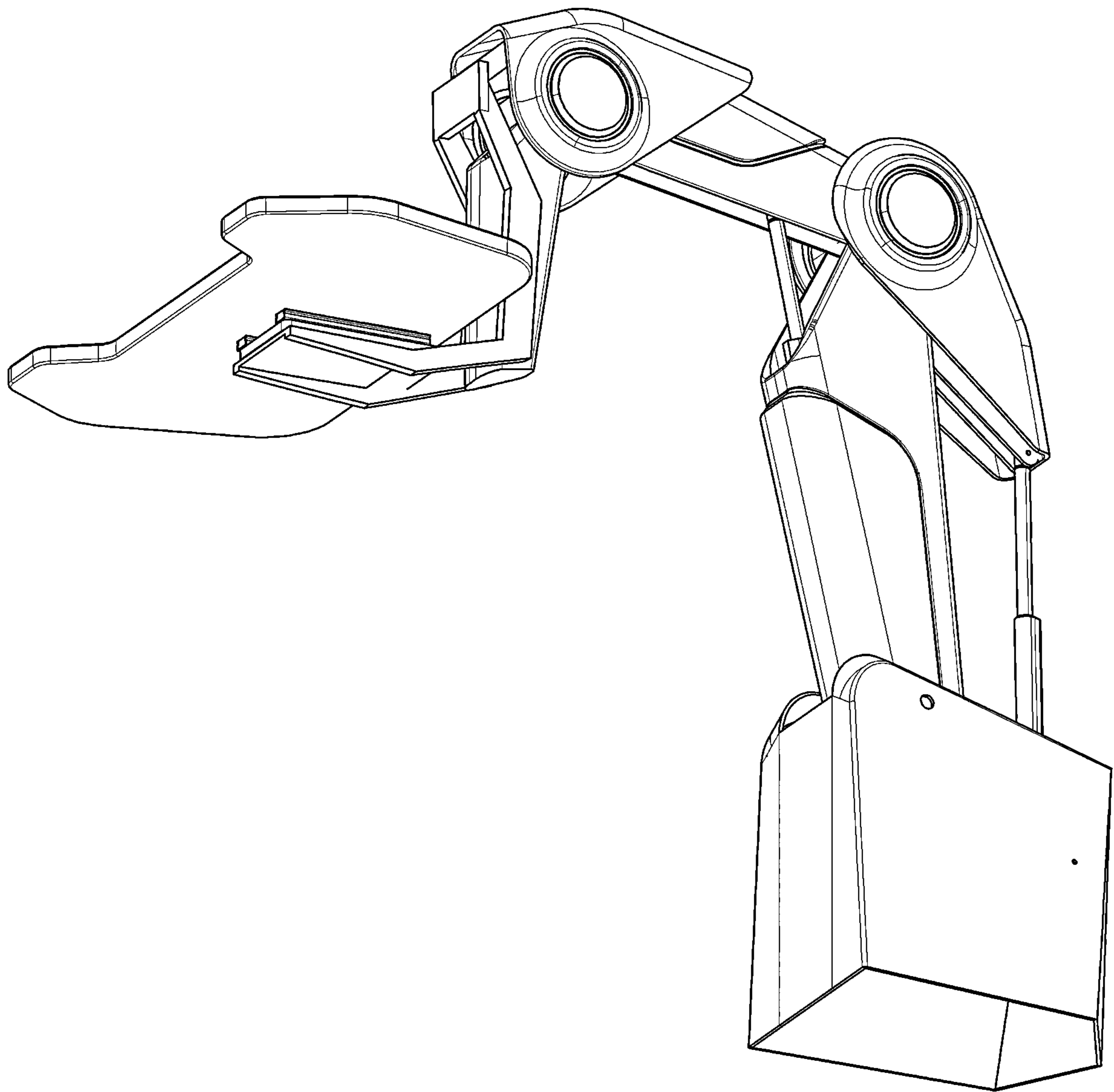


Fig. 1.4

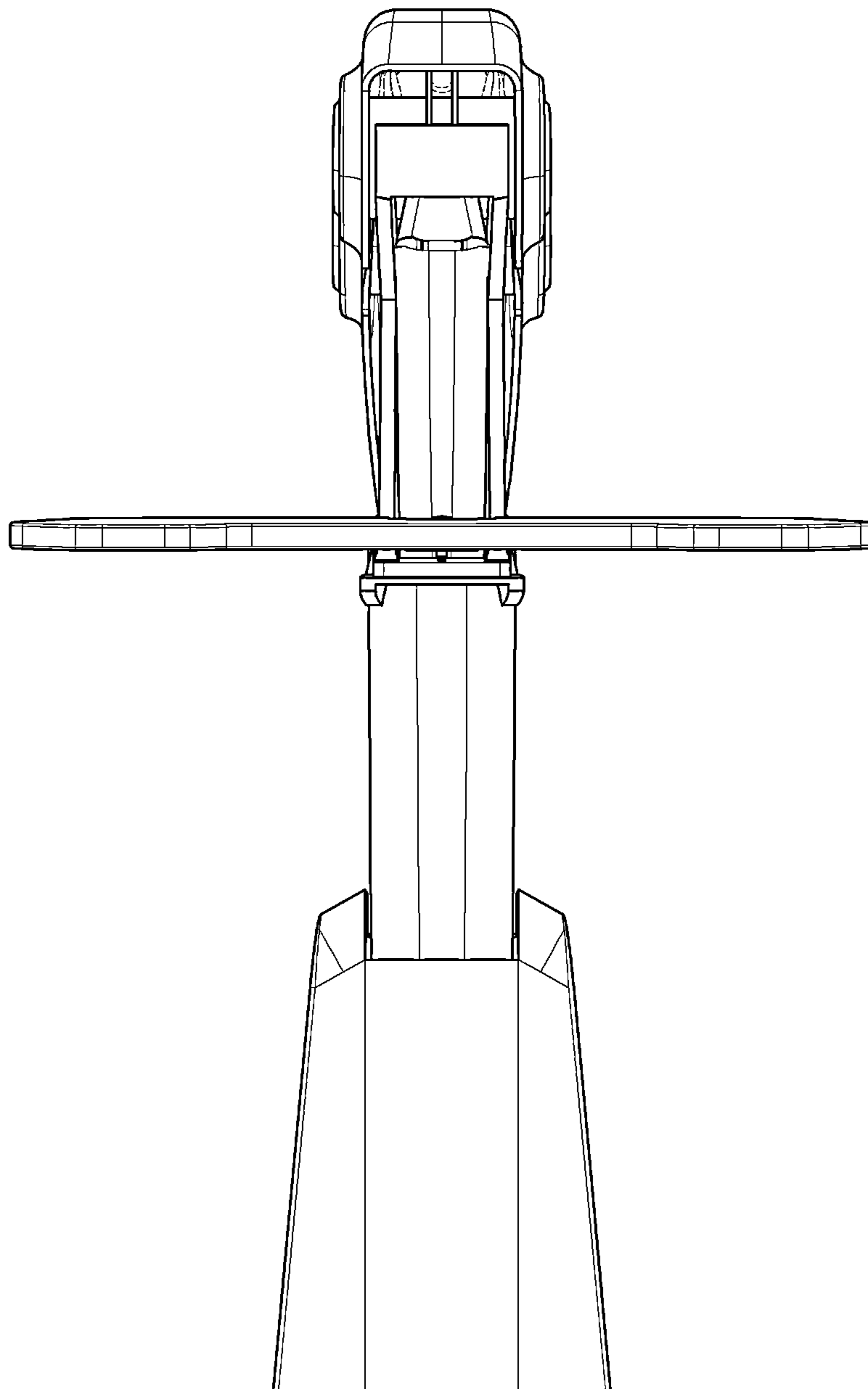


Fig. 1.5

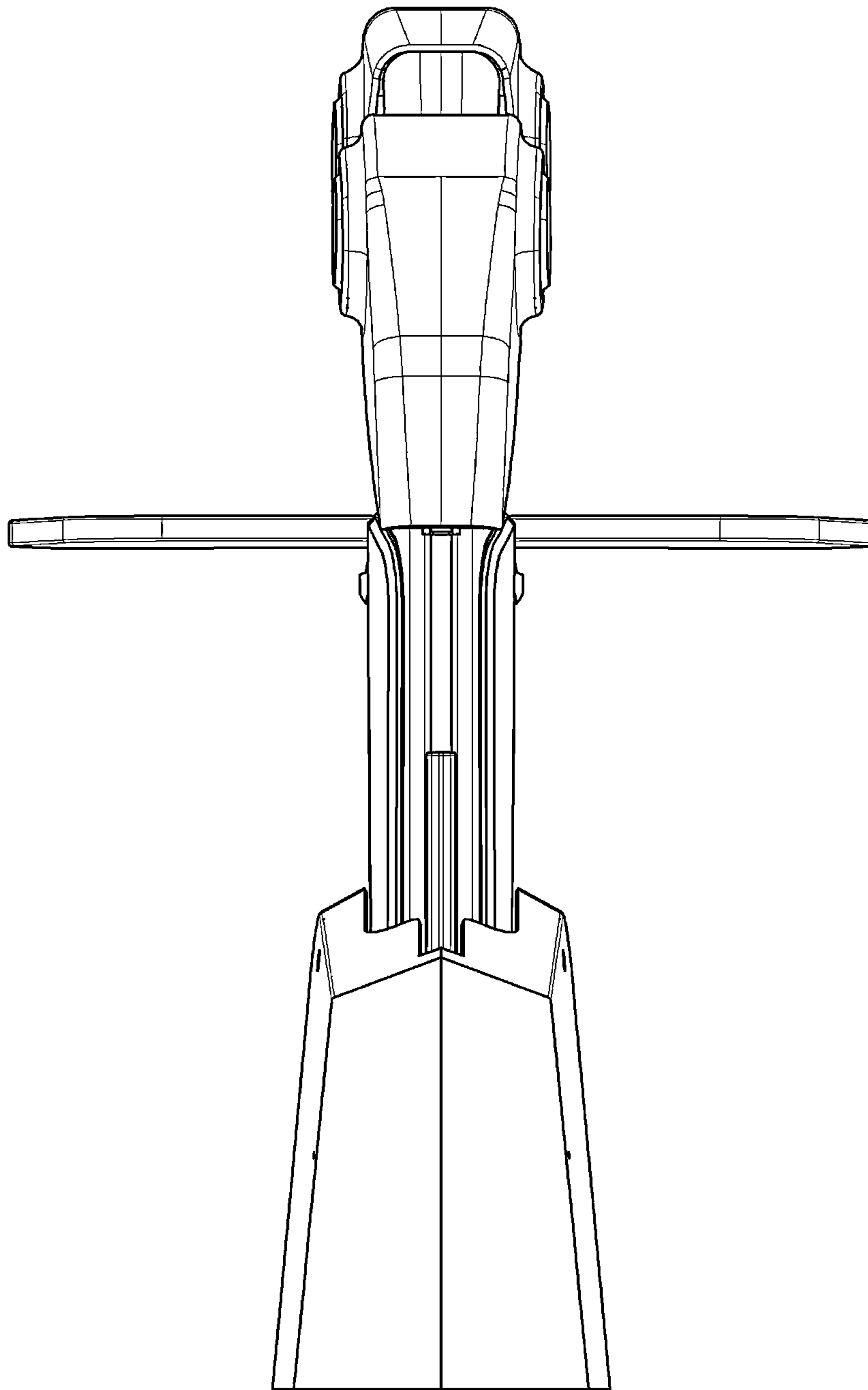


Fig. 1.6

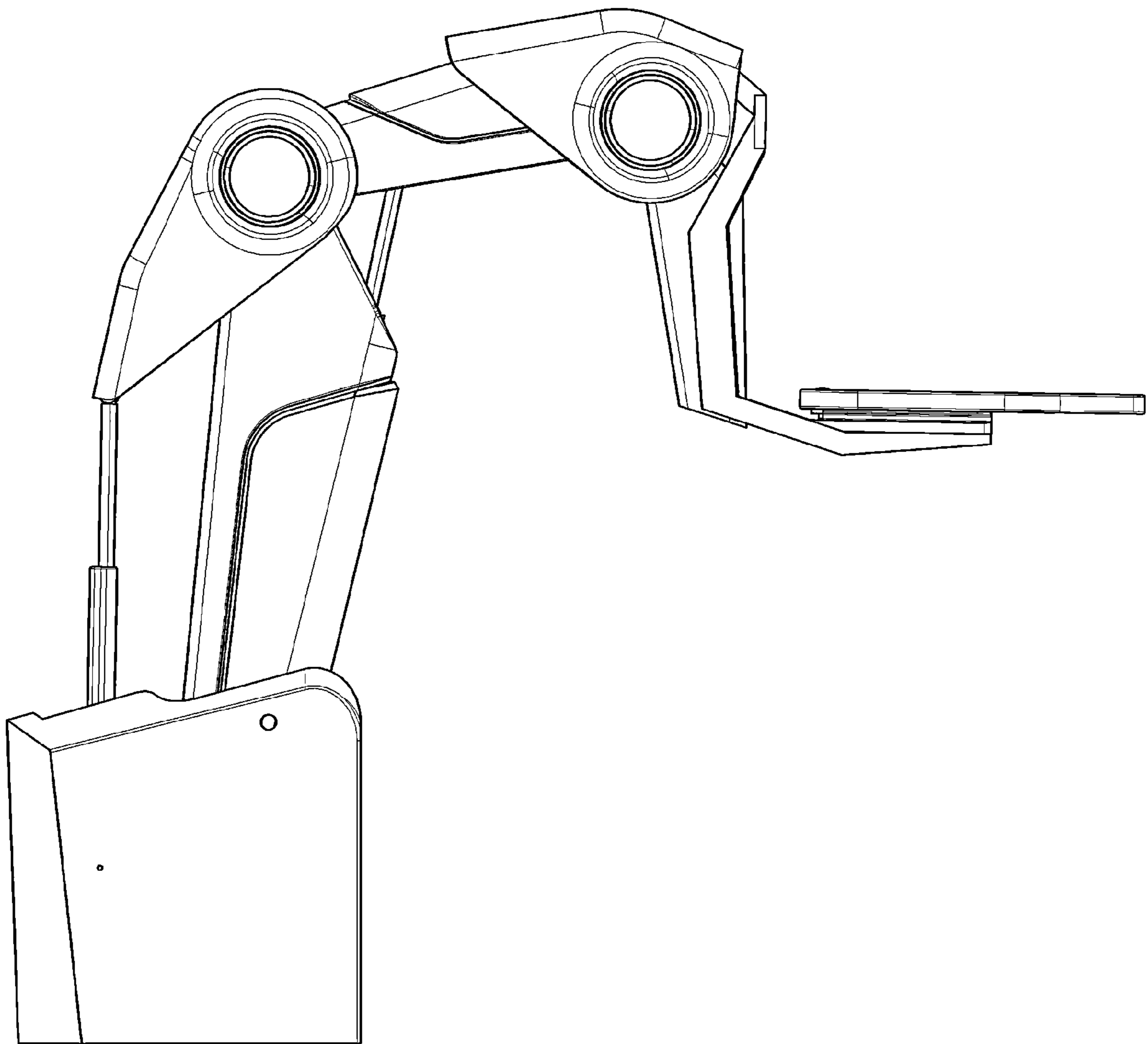


Fig. 1.7

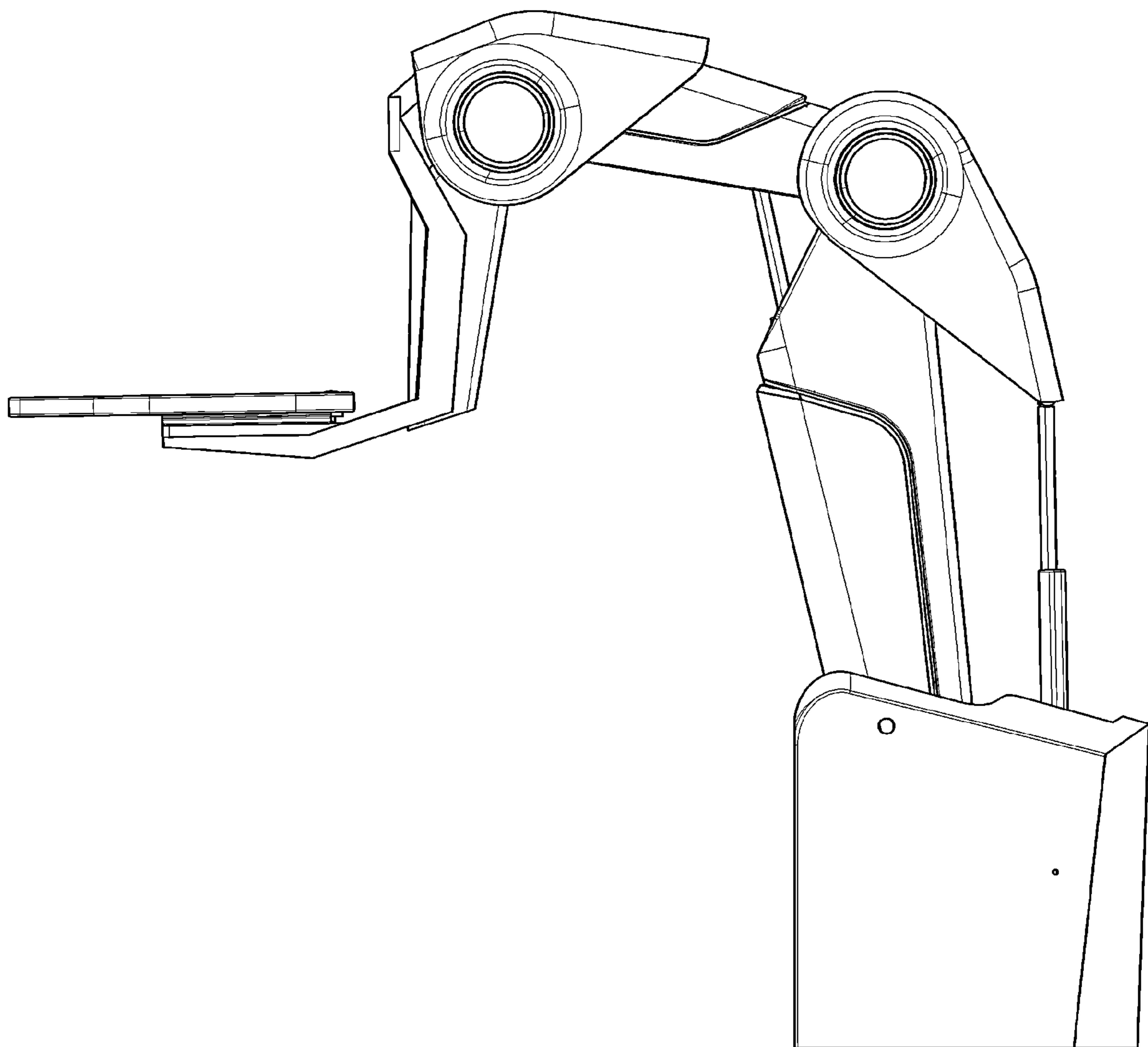


Fig. 1.8

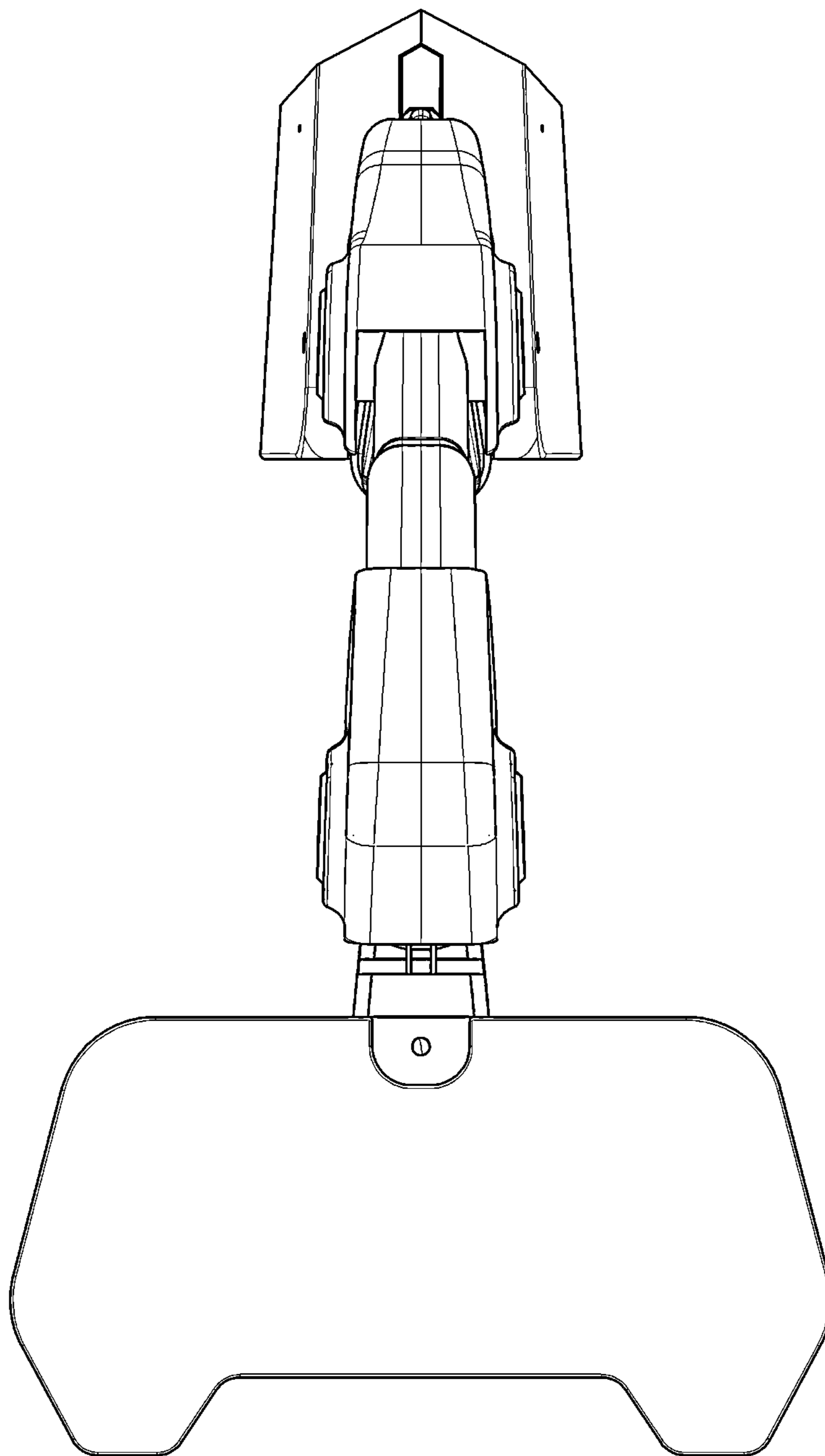


Fig. 1.9

