



US00D966278S

(12) **United States Design Patent**
Lu

(10) **Patent No.:** **US D966,278 S**

(45) **Date of Patent:** **** Oct. 11, 2022**

(54) **DISPLAY MOUNT**

(71) Applicant: **SHENZHEN BESTQI INNOVATION TECHNOLOGY CO., LTD**, Shenzhen (CN)

(72) Inventor: **Chengan Lu**, Shenzhen (CN)

(73) Assignee: **SHENZHEN BESTQI INNOVATION TECHNOLOGY CO., LTD**, Shenzhen (CN)

(**) Term: **15 Years**

(21) Appl. No.: **29/773,477**

(22) Filed: **Mar. 10, 2021**

(51) **LOC (13) Cl.** **14-02**

(52) **U.S. Cl.**
USPC **D14/452**

(58) **Field of Classification Search**
USPC D14/239, 371-382, 125-129, 336-337, D14/447-452, 492, 335, 432, 251-253
CPC G06F 3/0488; G06F 3/04883; G06F 3/023; G06F 3/0213; G06F 3/0219; G06F 3/0202; G06F 3/0338; G06F 3/03543; G06F 3/038; G06F 3/011; G06F 3/016; G06F 1/1616

See application file for complete search history.

(56) **References Cited**

U.S. PATENT DOCUMENTS

D539,123 S *	3/2007	Ly Hau	D8/363
D543,210 S *	5/2007	Stenhouse	D14/452
D553,135 S *	10/2007	Muday	D14/452
D816,646 S *	5/2018	Pei	D14/239
D822,011 S *	7/2018	Namala	D14/239
D841,631 S *	2/2019	Pei	D14/239
D842,284 S *	3/2019	Pei	D14/239
D848,988 S *	5/2019	Pei	D14/239
D852,805 S *	7/2019	Lyu	D14/452
D877,746 S *	3/2020	Pei	D14/452
D878,382 S *	3/2020	Pei	D14/452

D912,025 S *	3/2021	Lyu	D14/239
D915,361 S *	4/2021	Pei	D14/239
D915,362 S *	4/2021	Pei	D14/239

(Continued)

FOREIGN PATENT DOCUMENTS

GB	6119993	*	2/2021
GB	6123230	*	3/2021

(Continued)

OTHER PUBLICATIONS

Pipishell, announced on May 31, 2019 [online], retrieved on Jul. 20, 2022, retrieved from internet, <https://www.amazon.com/Articulating-Extension-Rotation-200x200mm-Pipishell/dp/B07SHFPD8S> (Year: 2019).*

(Continued)

Primary Examiner — Messina L Smith

Assistant Examiner — Noah Perez

(57) **CLAIM**

The ornamental design for a display mount, as shown and described.

DESCRIPTION

FIG. 1 is a perspective view of a display mount showing my new design;

FIG. 2 is another perspective view thereof;

FIG. 3 is a front elevational view thereof;

FIG. 4 is a rear elevational view thereof;

FIG. 5 is a left side elevational view thereof;

FIG. 6 is a right side elevational view thereof;

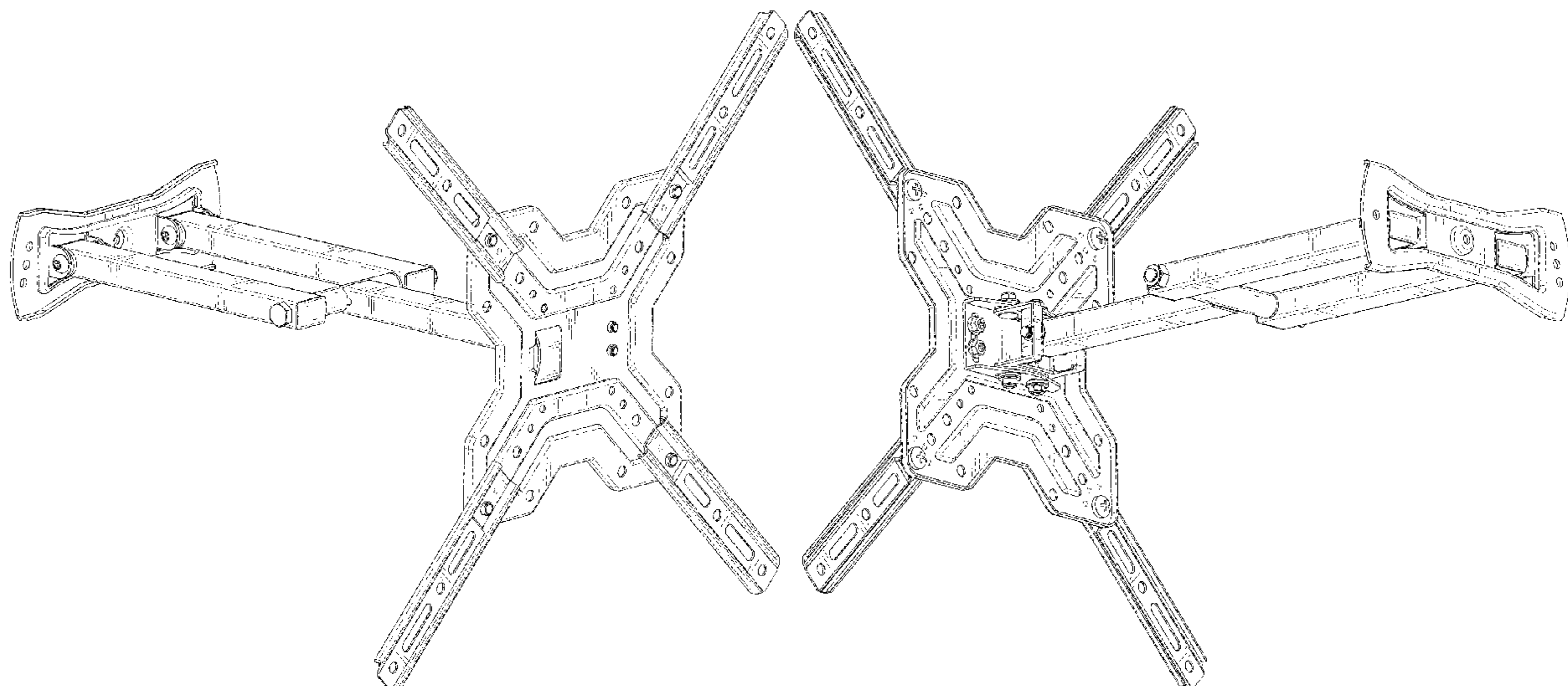
FIG. 7 is a top plan view thereof; and

FIG. 8 is a bottom plan view thereof; and,

FIG. 9. Is an exploded perspective view of the display mount.

The broken lines in the drawings depict portions of the display mount that form no part of the claimed design.

1 Claim, 9 Drawing Sheets



(56)

References Cited

U.S. PATENT DOCUMENTS

D918,217	S	*	5/2021	Lyu	D14/452
D918,928	S	*	5/2021	Jia	D14/452
D925,509	S	*	7/2021	Jin	D14/239
D930,006	S	*	9/2021	Pei	D14/452
D932,499	S	*	10/2021	Lu	D14/452
D936,045	S	*	11/2021	Xie	D14/239
D950,530	S	*	5/2022	Bohnen	D14/239
D950,533	S	*	5/2022	Jia	D14/239
D953,313	S	*	5/2022	Pei	D14/239
2018/0177299	A1	*	6/2018	Pei	F16M 11/2014
2019/0191879	A1	*	6/2019	Pei	F16M 11/2092

FOREIGN PATENT DOCUMENTS

GB	6123232	*	3/2021
GB	6123233	*	3/2021
GB	6123236	*	3/2021
GB	6123237	*	3/2021

OTHER PUBLICATIONS

Transform Partners LLC, announced on Feb. 7, 2010 [online], retrieved on Jul. 20, 2022, retrieved from internet, <https://www.amazon.com/Mount-Bracket-Computer-Monitor-Tilting/dp/B00CMVE2AO> (Year: 2010).*

StarTech, no announcement date, retrieved on Jul. 20, 2022, retrieved from internet, https://www.insight.com/en_US/shop/product/FPWARTB1M/STARTECH.COM/FPWARTB1M/StarTech-com-Full-Motion-TV-Wall-Mount---Articulating-Arm---Supports-32--to-55--TVs-Displays---Flat-Screen-TV-Wall-Mount---Wall-Mount-TV-Bracket--Steel-FP.*

Alibaba, announced on Oct. 3, 2017 [online], retrieved on Jul. 20, 2022, retrieved from internet, https://www.alibaba.com/photo-detail/Full-Motion-TV-Wall-Mount-Bracket_60647911611.html (Year: 2017).*

Displays2Go, Earliest Review on Nov. 25, 2015 [online], retrieved on Jul. 20, 2022, retrieved online, <https://www.displays2go.com/Review/View/13311/1/20?Value=13311> (Year: 2015).*

* cited by examiner

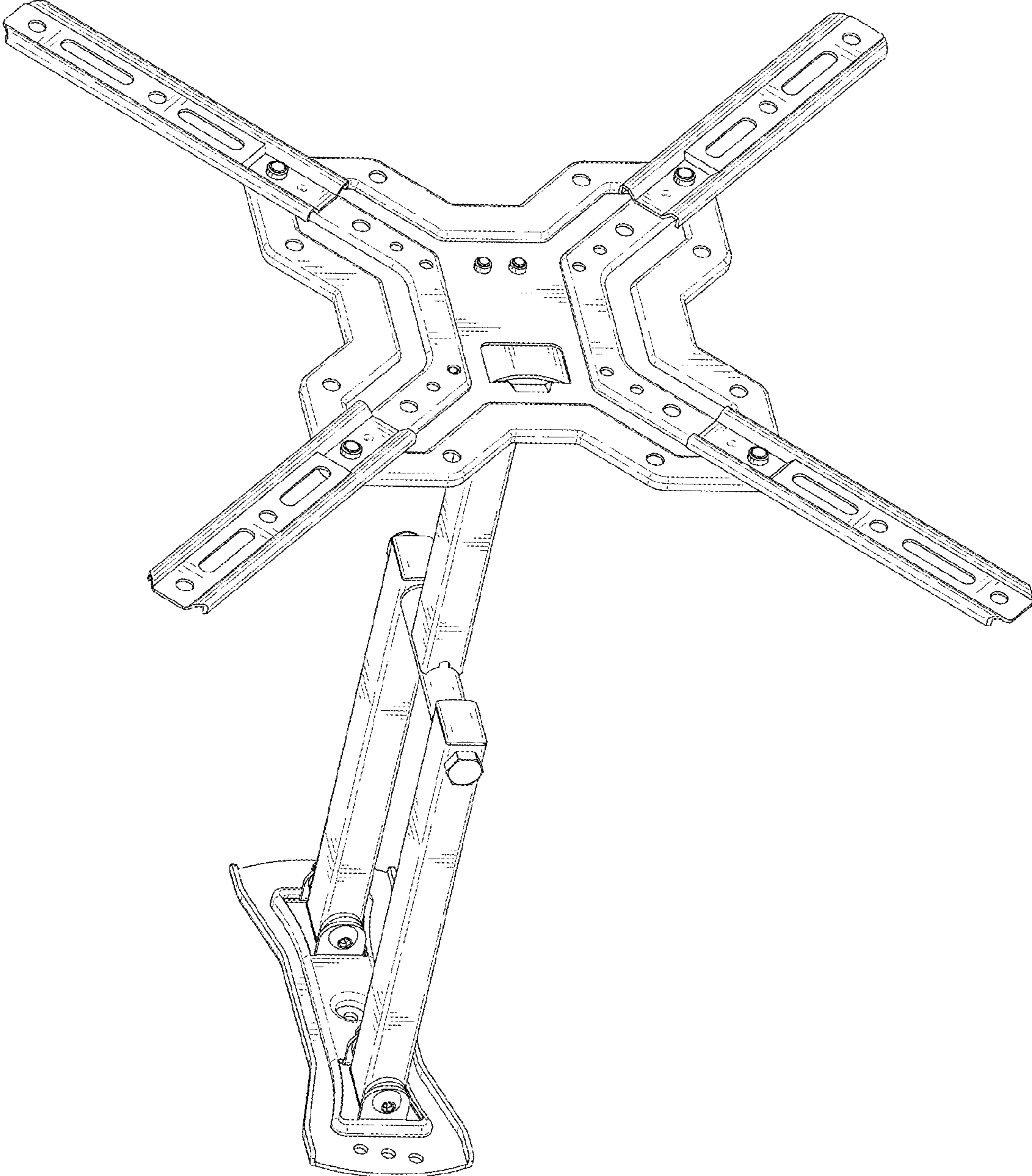


FIG. 1

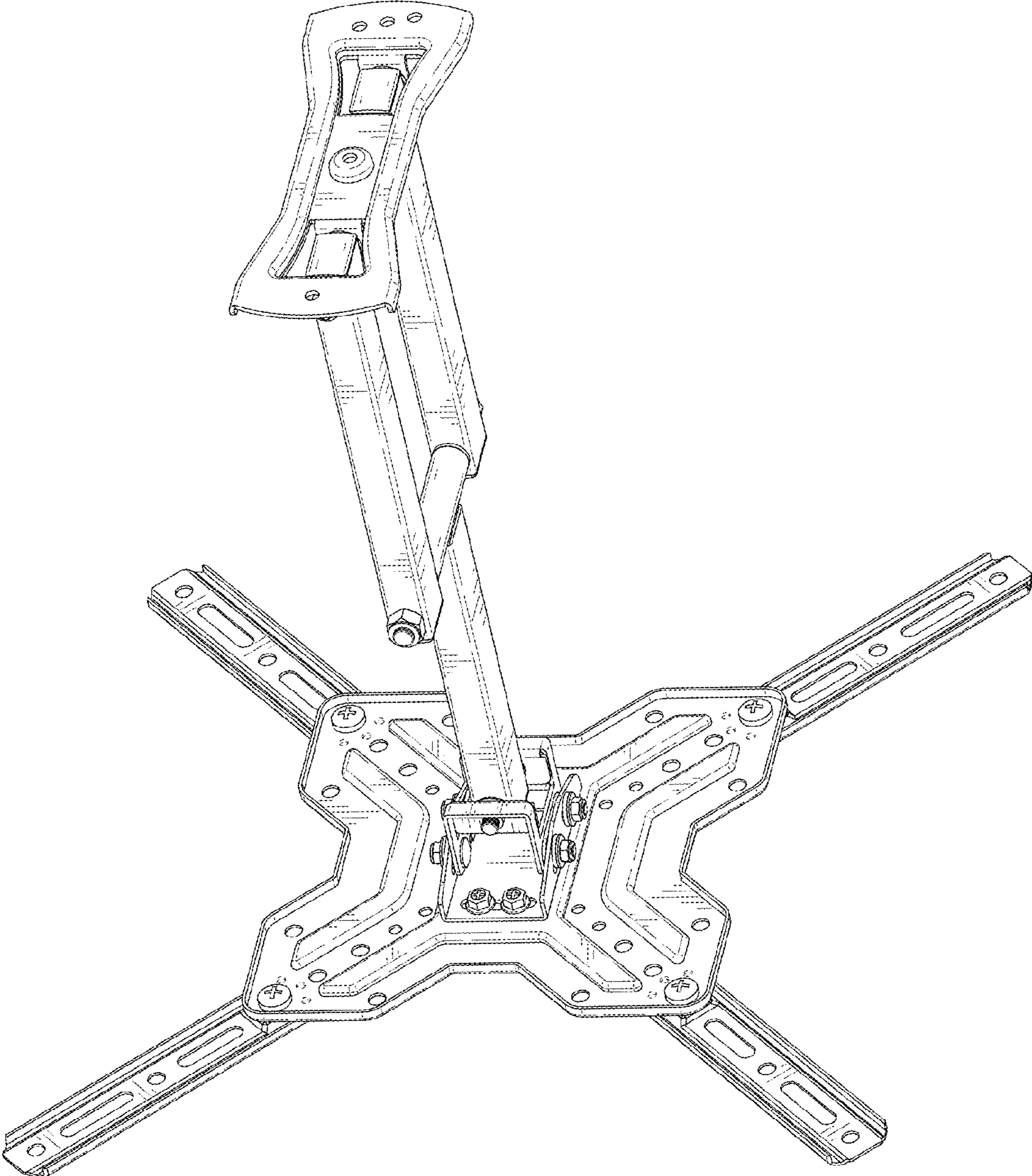


FIG. 2

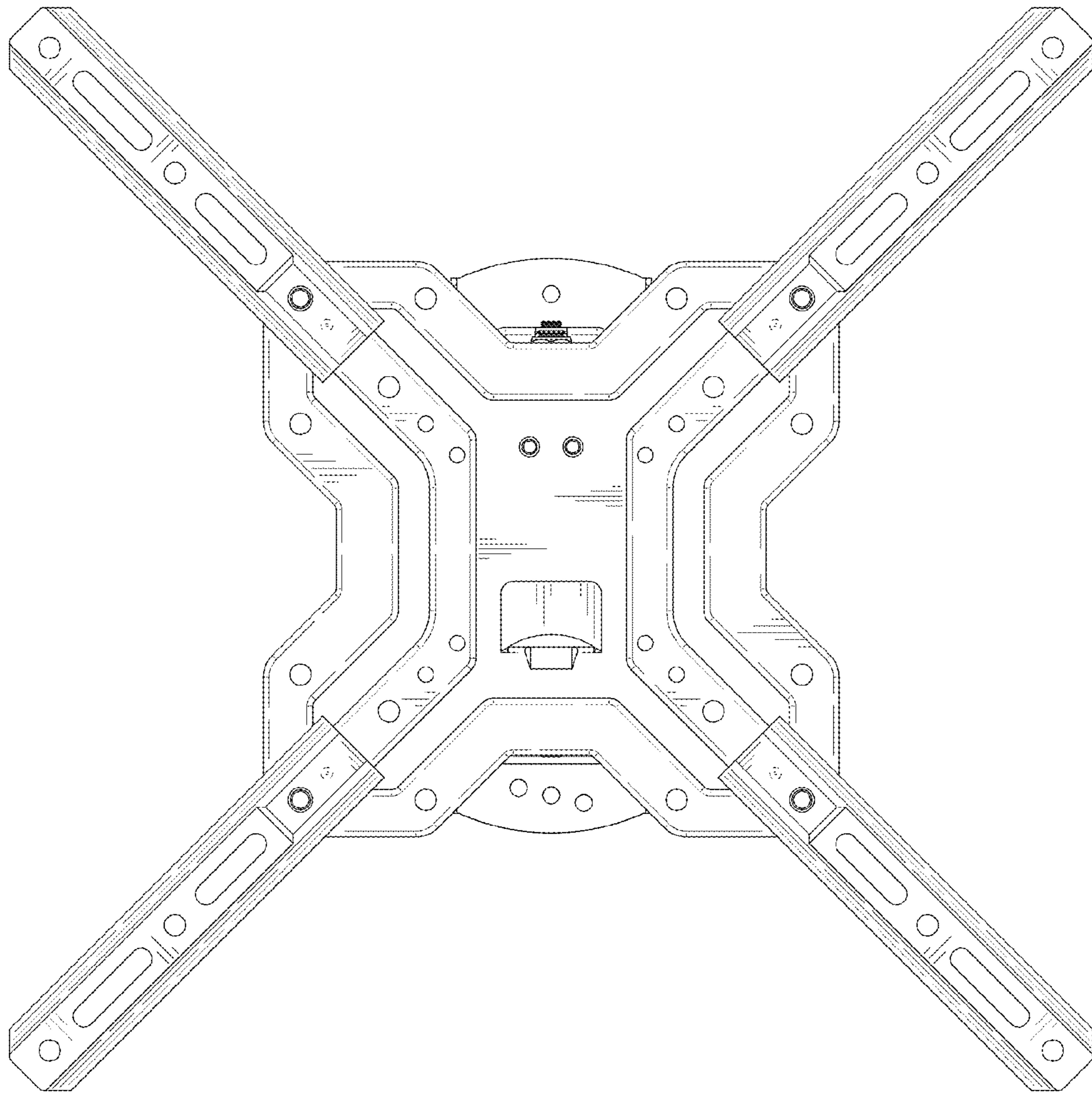


FIG. 3

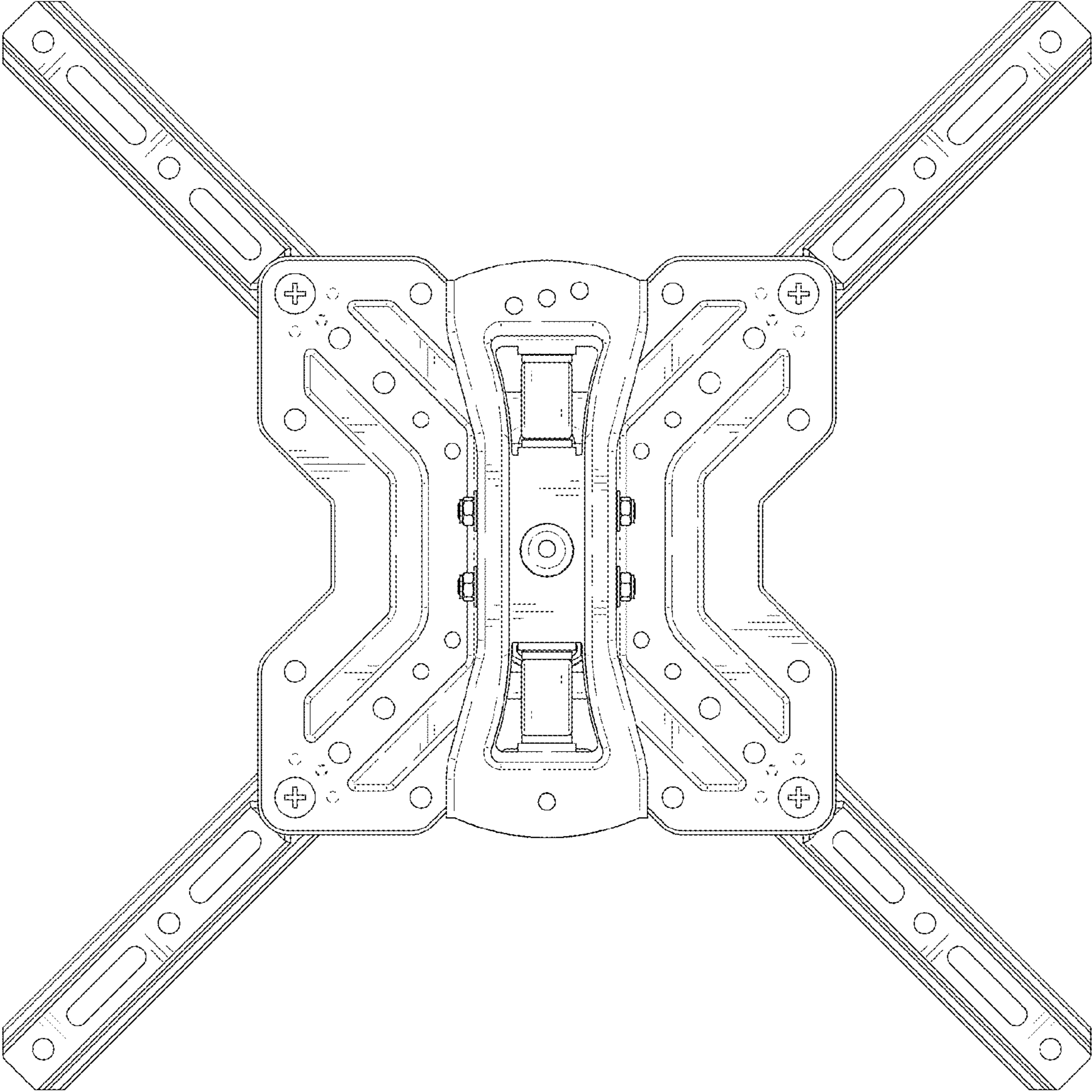


FIG. 4

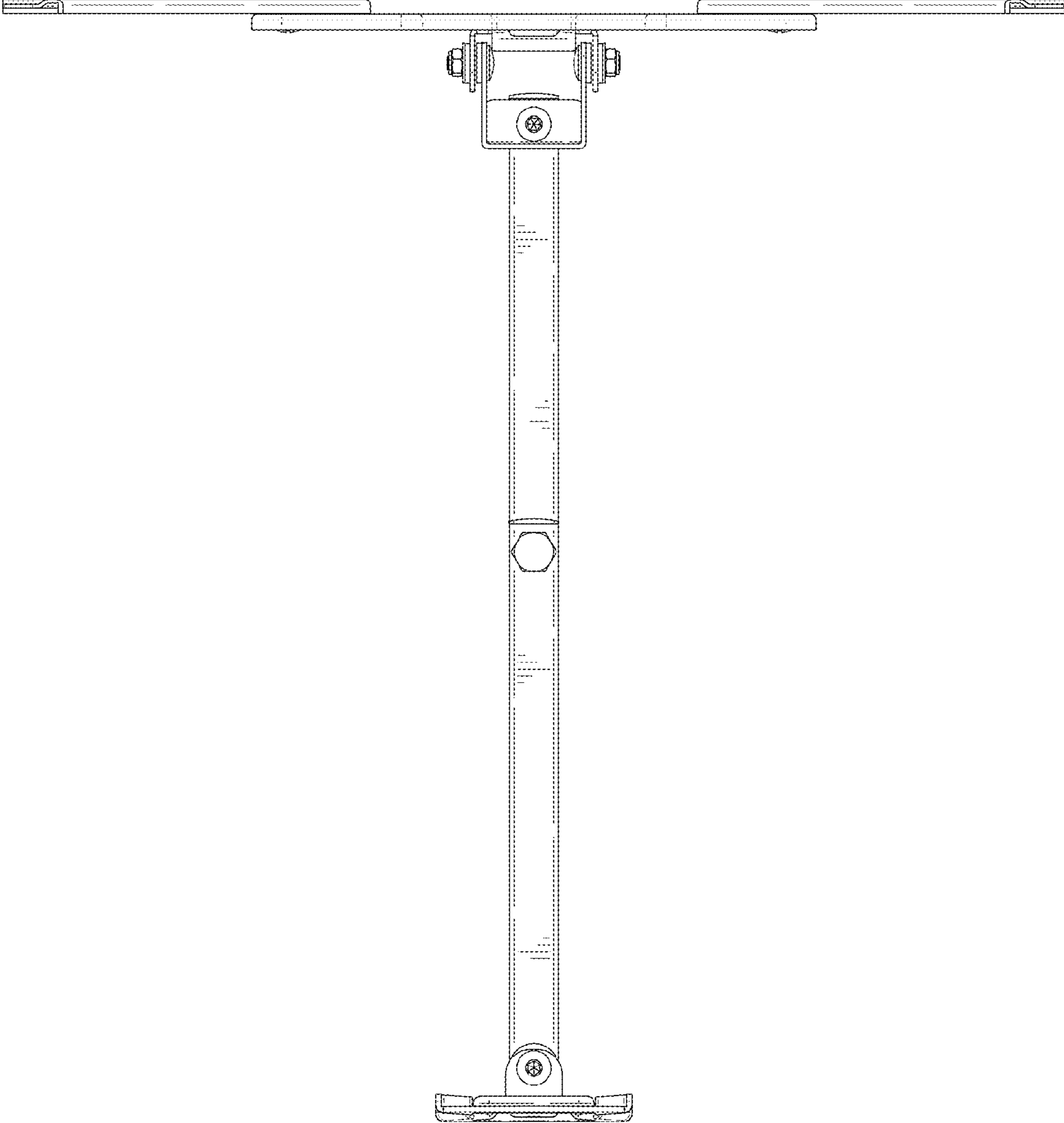


FIG. 5

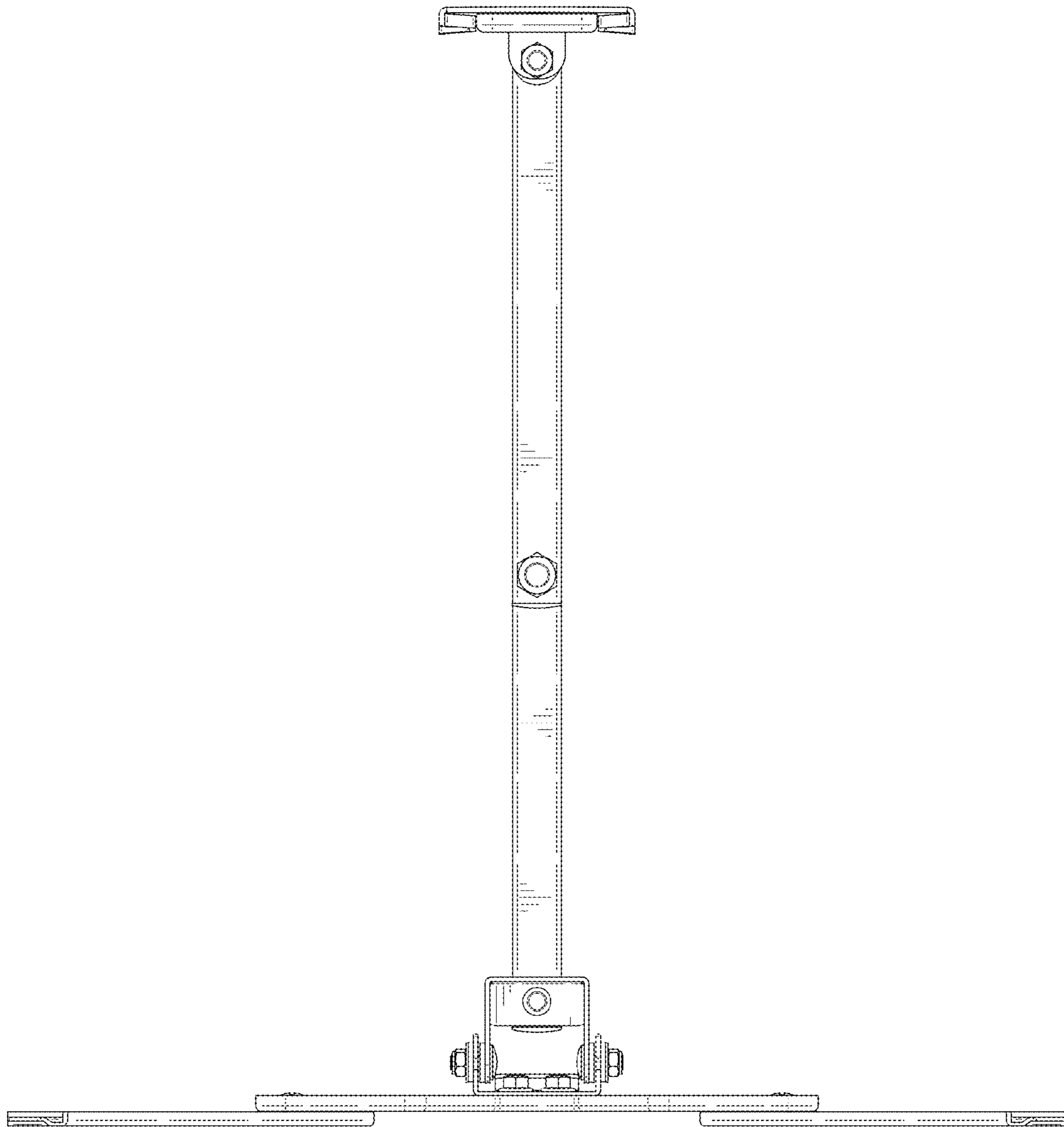


FIG. 6

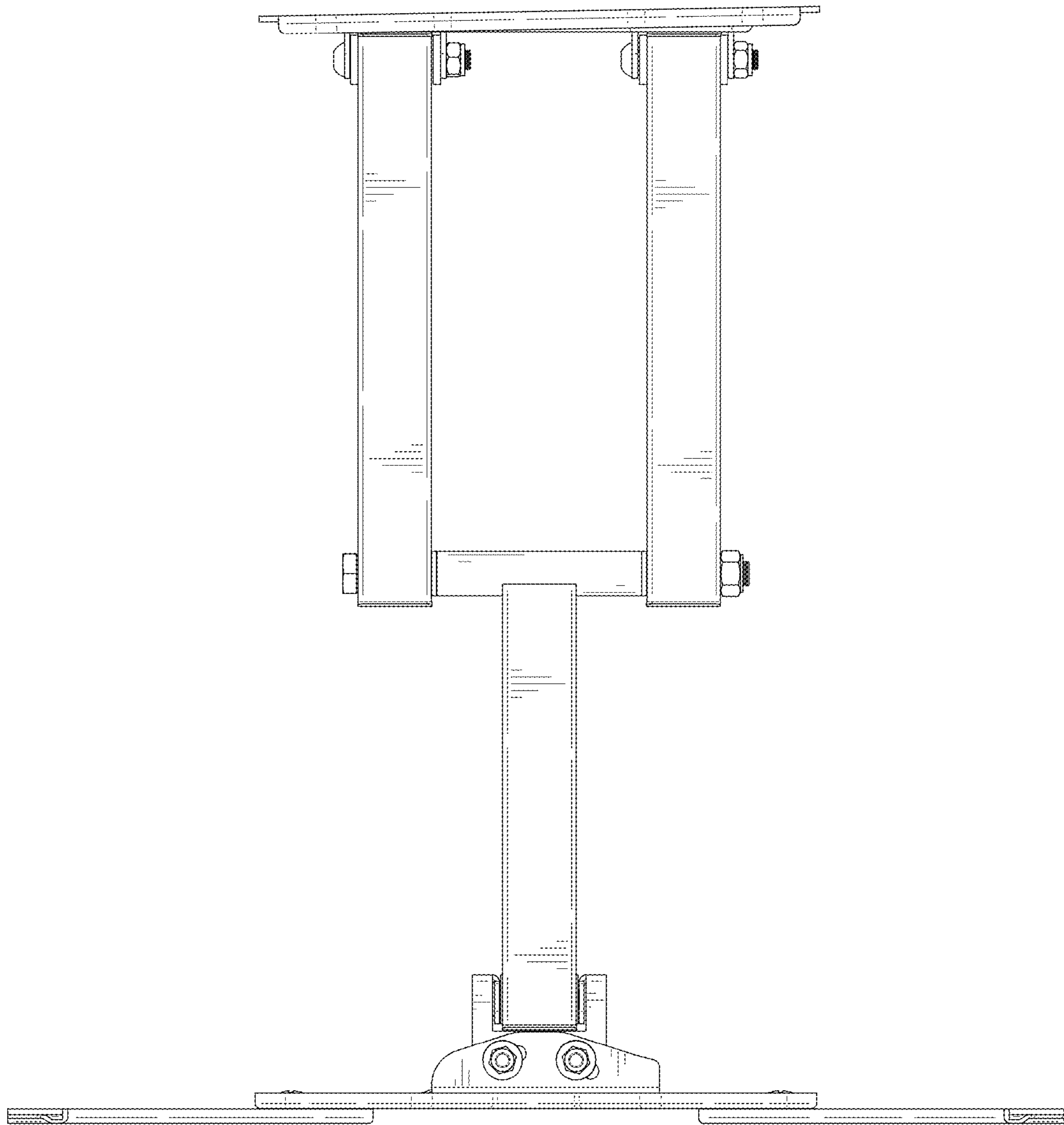


FIG. 7

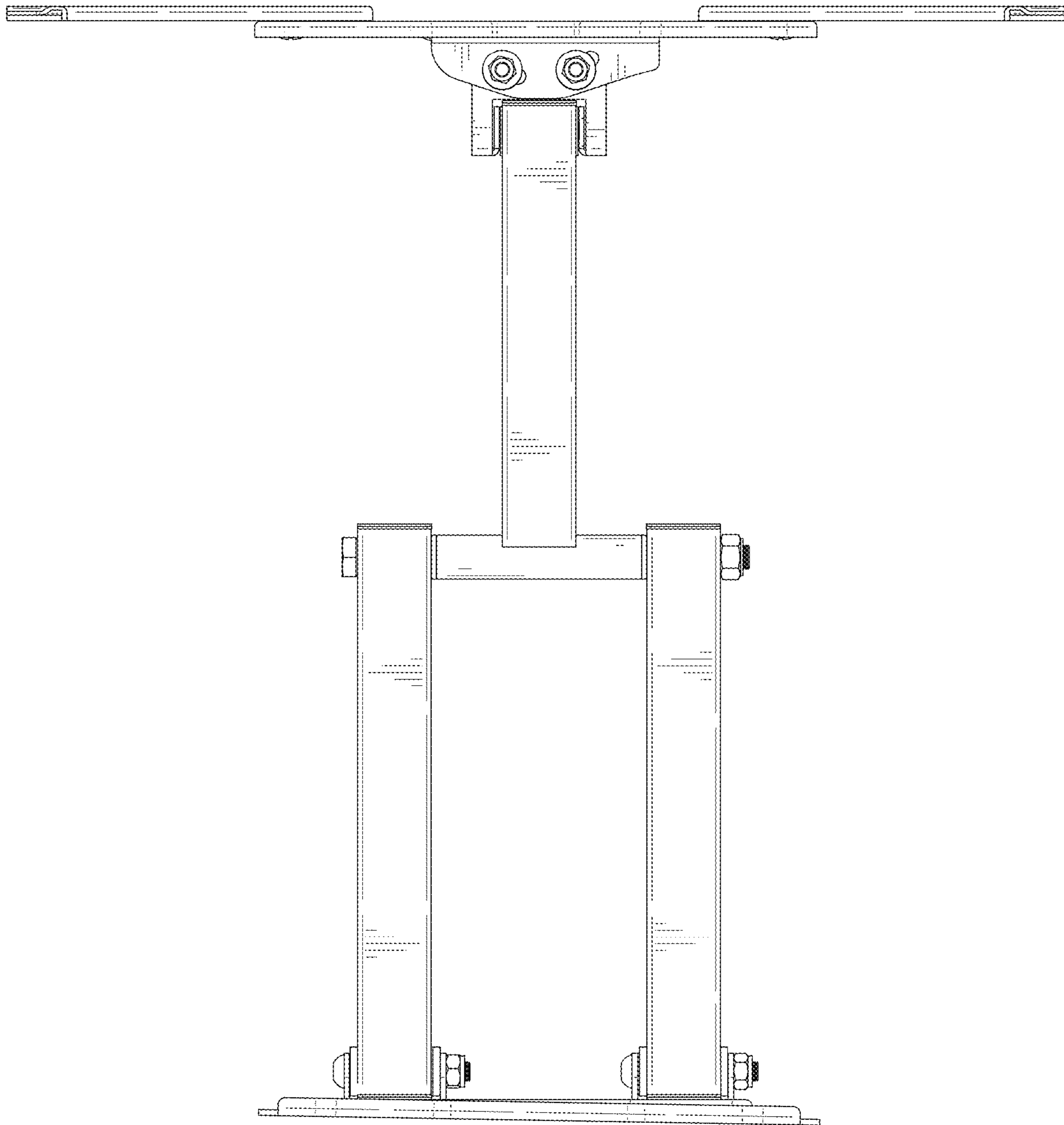


FIG. 8

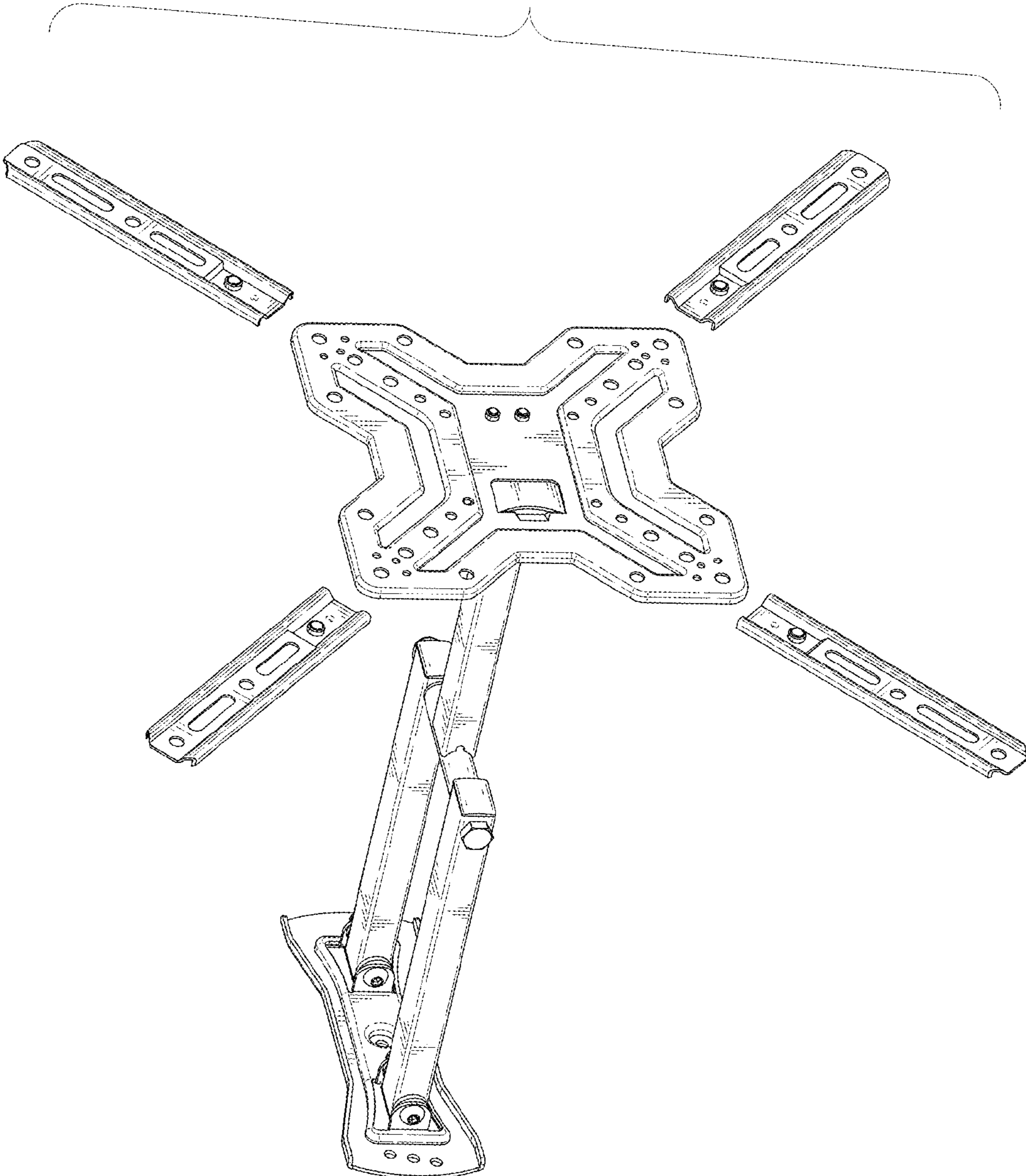


FIG. 9