

US00D966277S

(12) **United States Design Patent** (10) **Patent No.:** **US D966,277 S**
Knapp et al. (45) **Date of Patent:** **** Oct. 11, 2022**

(54) **DISPLAY STAND**

(71) Applicant: **CKnapp Sales, Inc.**, Goodfield, IL (US)

(72) Inventors: **Chance Knapp**, Goodfield, IL (US);
Brandon Meyer, Normal, IL (US)

(73) Assignee: **CKnapp Sales, Inc.**, Goodfield, IL (US)

(**) Term: **15 Years**

(21) Appl. No.: **29/743,234**

(22) Filed: **Jul. 20, 2020**

(51) **LOC (13) Cl.** **14-02**

(52) **U.S. Cl.**
USPC **D14/452**

(58) **Field of Classification Search**
USPC D14/451-452, 125, 126-129, 239,
D14/371-377, 335-337, 341, 447-450;
D8/335, 363, 373; D6/672, 682
CPC .. F16M 11/10; F16M 11/105; F16M 11/2085;
F16M 11/2092; F16M 11/2007; F16M
11/044; F16M 11/12; F16M 11/2021;
F16M 13/022

See application file for complete search history.

(56) **References Cited**

U.S. PATENT DOCUMENTS

- D649,552 S * 11/2011 Huang F16M 11/24
D14/452
- D660,308 S * 5/2012 Huang D14/452
- D805,523 S * 12/2017 Bowman D14/452
- 10,066,785 B1 * 9/2018 Chen F16M 11/14
- 10,118,437 B1 * 11/2018 Weaver F16M 11/105
- D853,404 S * 7/2019 Bowman D14/452
- D854,861 S * 7/2019 Lee D6/656
- D872,067 S * 1/2020 Knapp D14/126
- D872,719 S * 1/2020 Knapp D14/126
- D877,745 S * 3/2020 Knapp D14/452

- D894,197 S * 8/2020 Knapp D14/452
- D895,632 S * 9/2020 Knapp D14/452
- D901,514 S * 11/2020 Knapp D14/452
- D905,700 S * 12/2020 Lu D14/452
- D909,395 S * 2/2021 Knapp D14/452
- D920,340 S * 5/2021 Shu D14/452
- D922,395 S * 6/2021 Shu D14/452
- D923,018 S * 6/2021 Lu D14/452

(Continued)

OTHER PUBLICATIONS

“VIVO Quad 13 to 24 inch LCD Monitor Clamp-on Desk Mount . . .”, first available Jul. 2, 2020, amazon.com, [online], [site visited Sep. 21, 2021], Available from internet URL: <https://www.amazon.com/VIVO-Monitor-Articulating-100x100mm-STAND-V104C/dp/B08C81WG6L> (Year: 2020).*

(Continued)

Primary Examiner — Christian P. McLean
(74) *Attorney, Agent, or Firm* — Hanley, Flight & Zimmerman, LLC

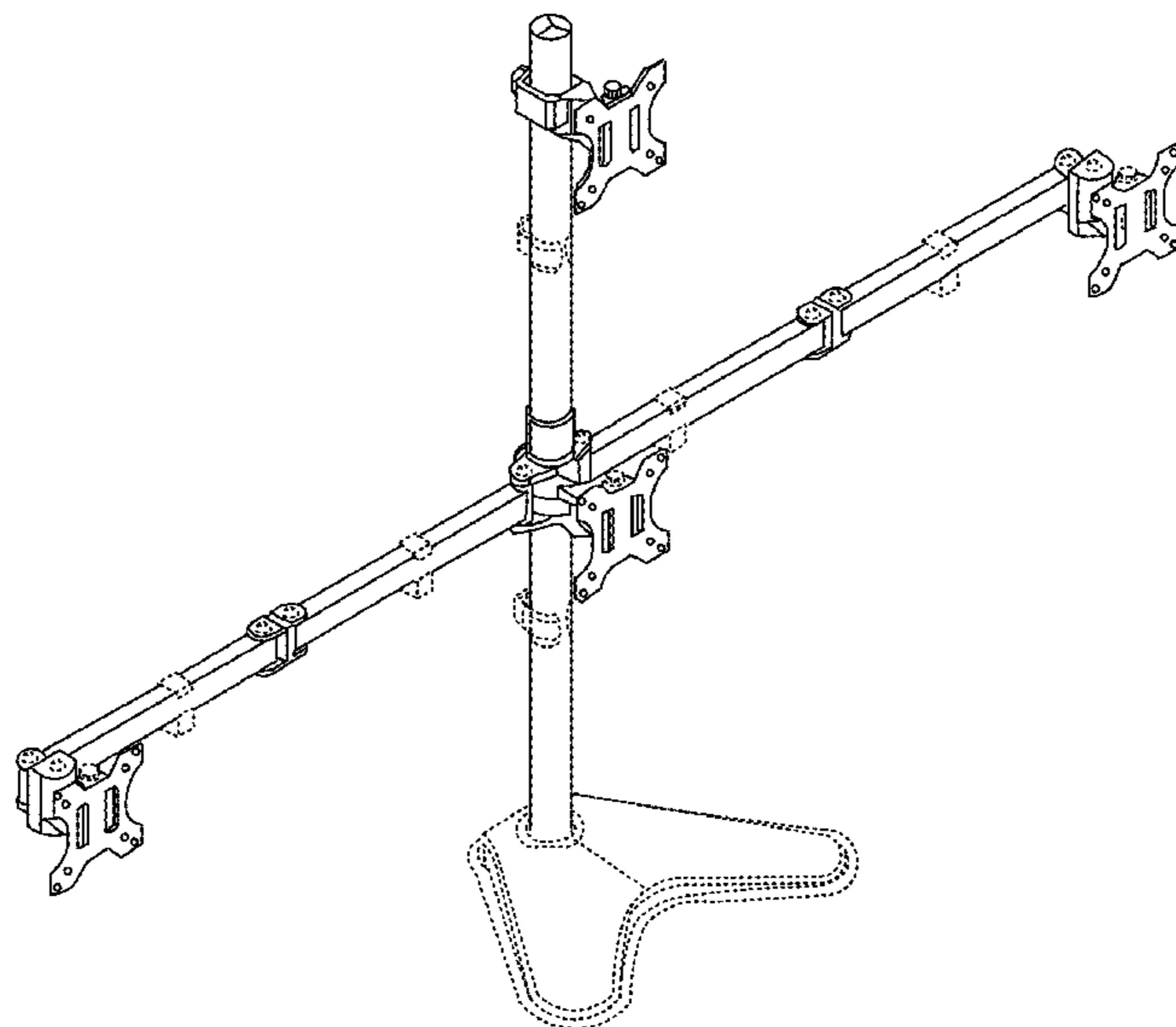
(57) **CLAIM**

The ornamental design for a display stand, substantially as shown and described.

DESCRIPTION

FIG. 1 is a front elevation view of a display stand, showing our new design;
FIG. 2 is a rear elevation view thereof;
FIG. 3 is a top plan view thereof;
FIG. 4 is a bottom plan view thereof;
FIG. 5 is a right side view thereof;
FIG. 6 is a left side view thereof;
FIG. 7 is a first perspective view thereof; and,
FIG. 8 is another perspective view showing the design of FIG. 7 but in a different broken line environment.
The broken lines illustrate portions of the display stand that form no part of the claimed design.

1 Claim, 8 Drawing Sheets



(56)

References Cited

U.S. PATENT DOCUMENTS

D931,293 S * 9/2021 Jin D14/452
D933,460 S * 10/2021 Jin D14/239
D936,053 S * 11/2021 Chen D14/375
D937,845 S * 12/2021 Zhang D14/452
11,266,232 B2 * 3/2022 Knapp F16M 11/28
D947,858 S * 4/2022 Zhang D14/452
2017/0191607 A1 * 7/2017 Huang F16M 11/08
2018/0328533 A1 * 11/2018 Carrasquillo F16M 11/16
2019/0353297 A1 * 11/2019 Huang F16M 11/08
2019/0374025 A1 * 12/2019 Bowman A47B 21/02
2020/0232596 A1 * 7/2020 Lombardi F16M 11/10

OTHER PUBLICATIONS

VIVO, "VIVO Steel Quad LED LCD Computer Monitor, Heavy Duty Desk Mount, 3 Plus 1 Fully, Adjustable Stand, Holds 4 Screens up to 32 inches (Stand-V104A)," retrieved from <https://www.amazon.com/VIVO-Computer-Monitor-Adjustable-STAND-V104A/dp/B07G9P4XGQ/> on Jul. 20, 2020, 5 pages.

VIVO, "Quad LCD Monitor Desk Stand Mount Free-Standing 3+1=4 / Holds Four Screens up to 27" (Stand-V004Z)," retrieved from <https://www.amazon.com/Monitor-Stand-Free-Standing-Screens-STAND-V004Z/dp/B01E5ZIE4E/>, on Jul. 20, 2020, 10 pages.

VIVO, "VIVO Black Triple Monitor Adjustable Desk Mount, Articulating Tri Stand Holds 3 Screens up to 24 inches (Stand-V003Y)," retrieved from https://www.amazon.com/dp/B078K23CFF?ref=myi_title_dp, on Jul. 20, 2020, 10 pages.

* cited by examiner

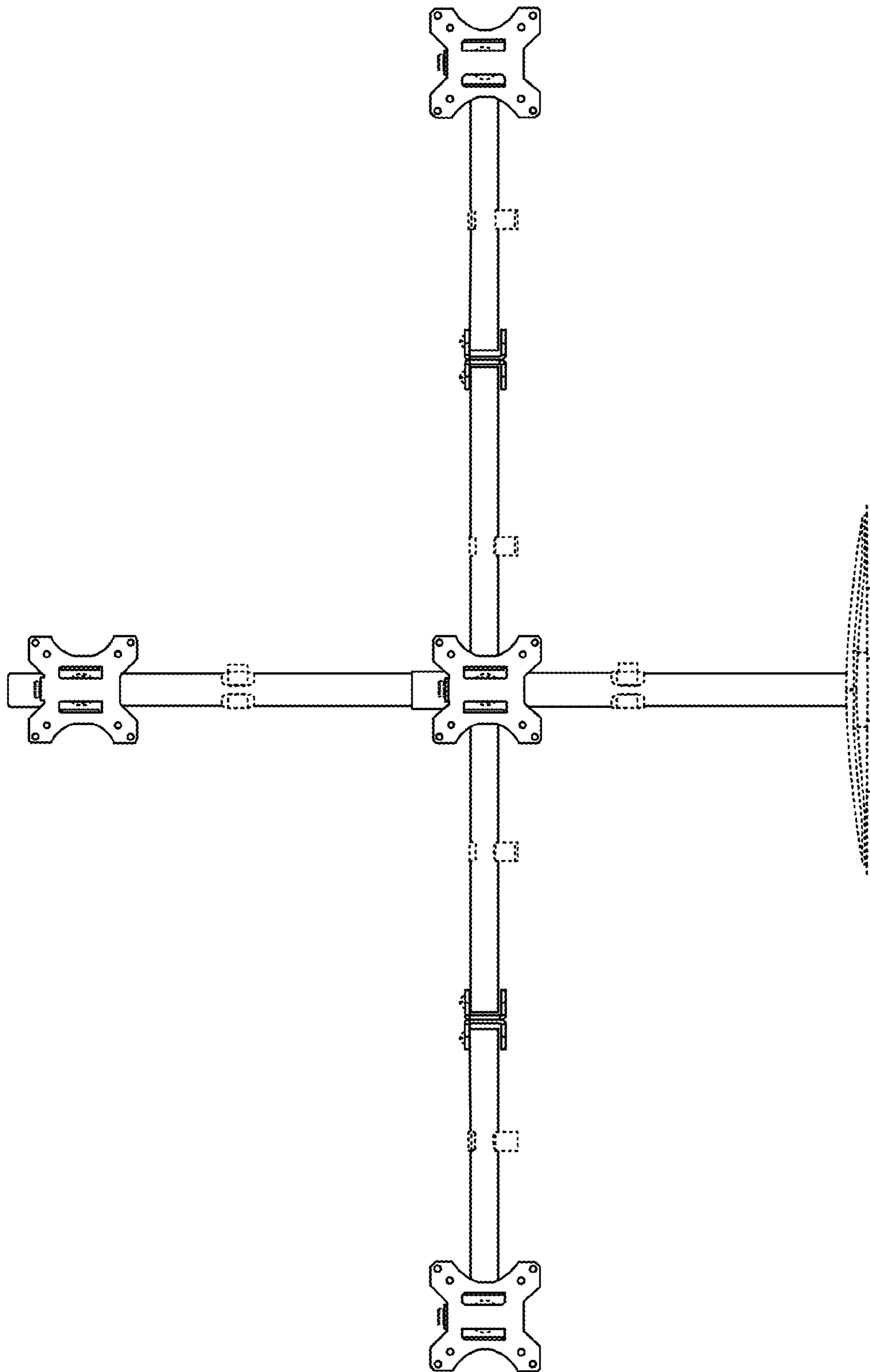


FIG. 1

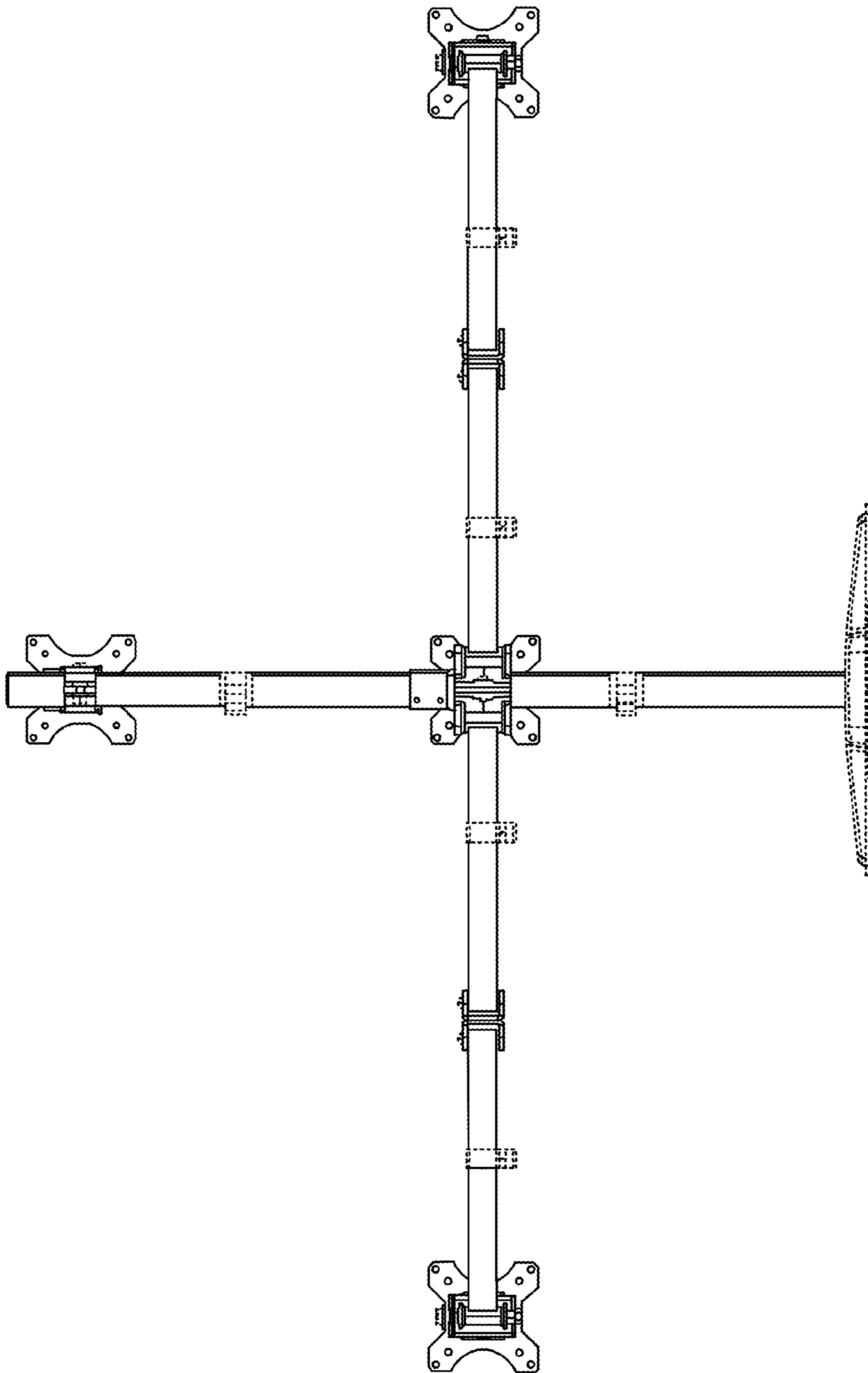


FIG. 2

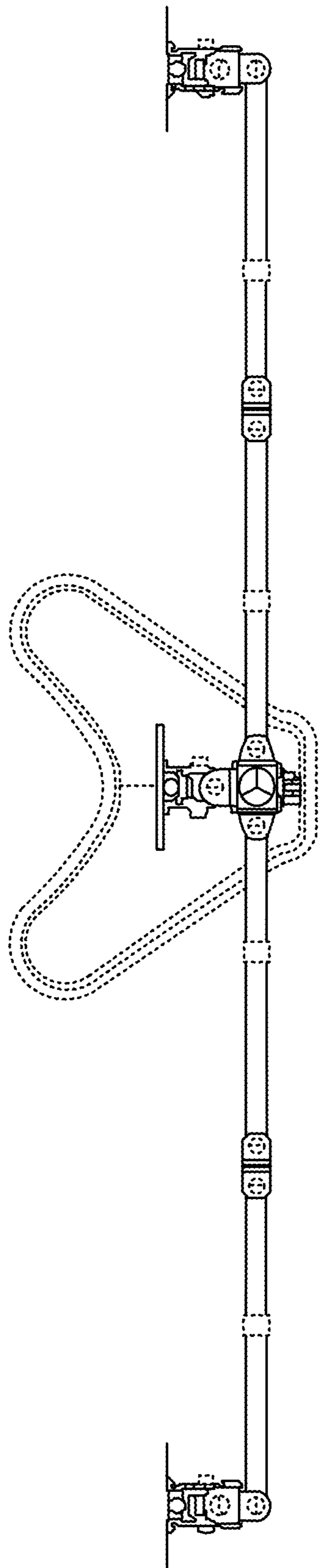


FIG. 3

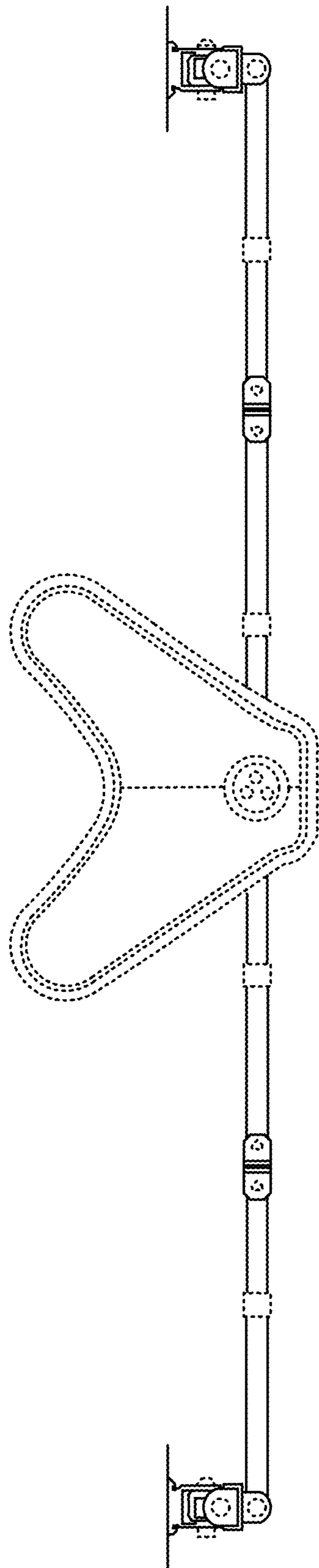


FIG. 4

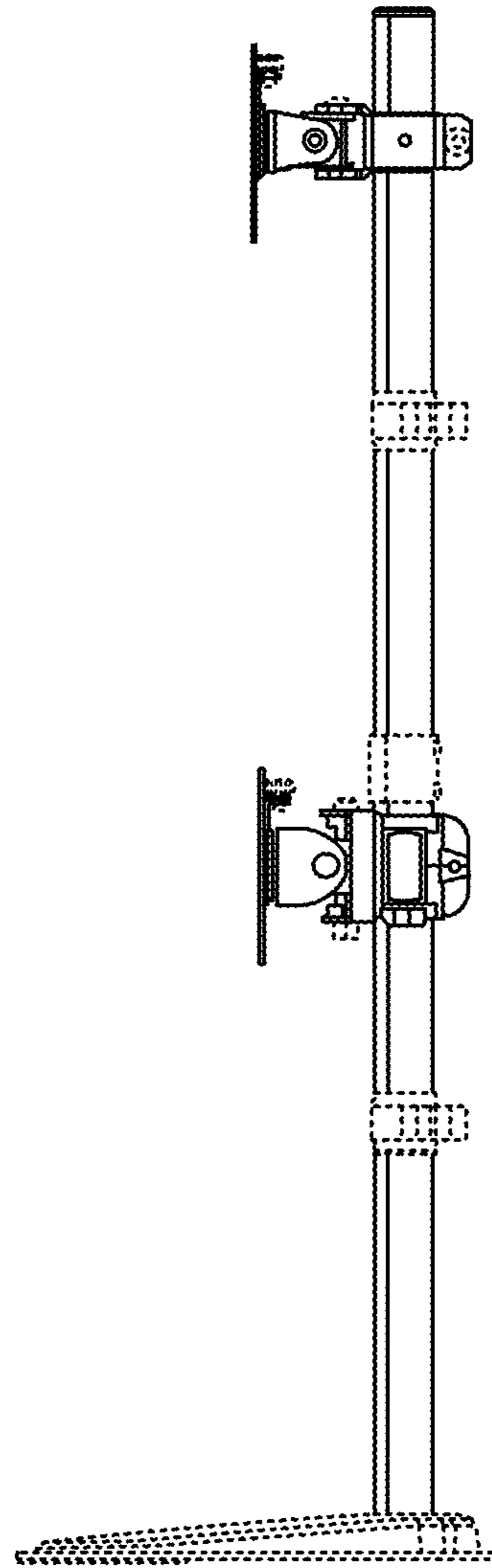


FIG. 5

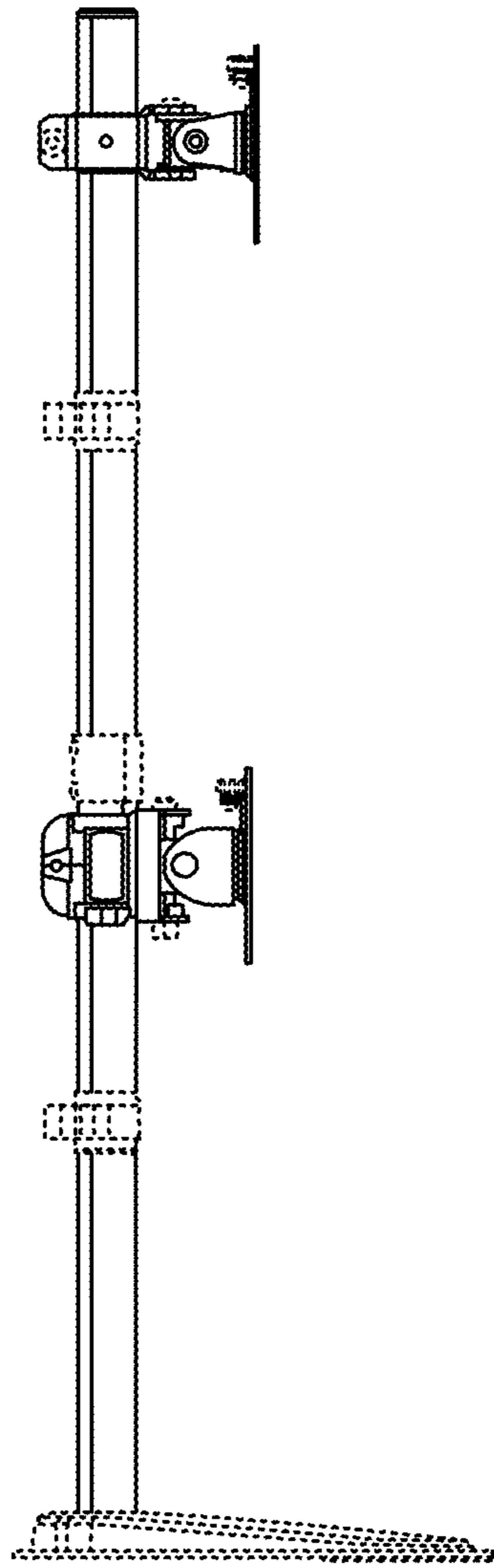


FIG. 6

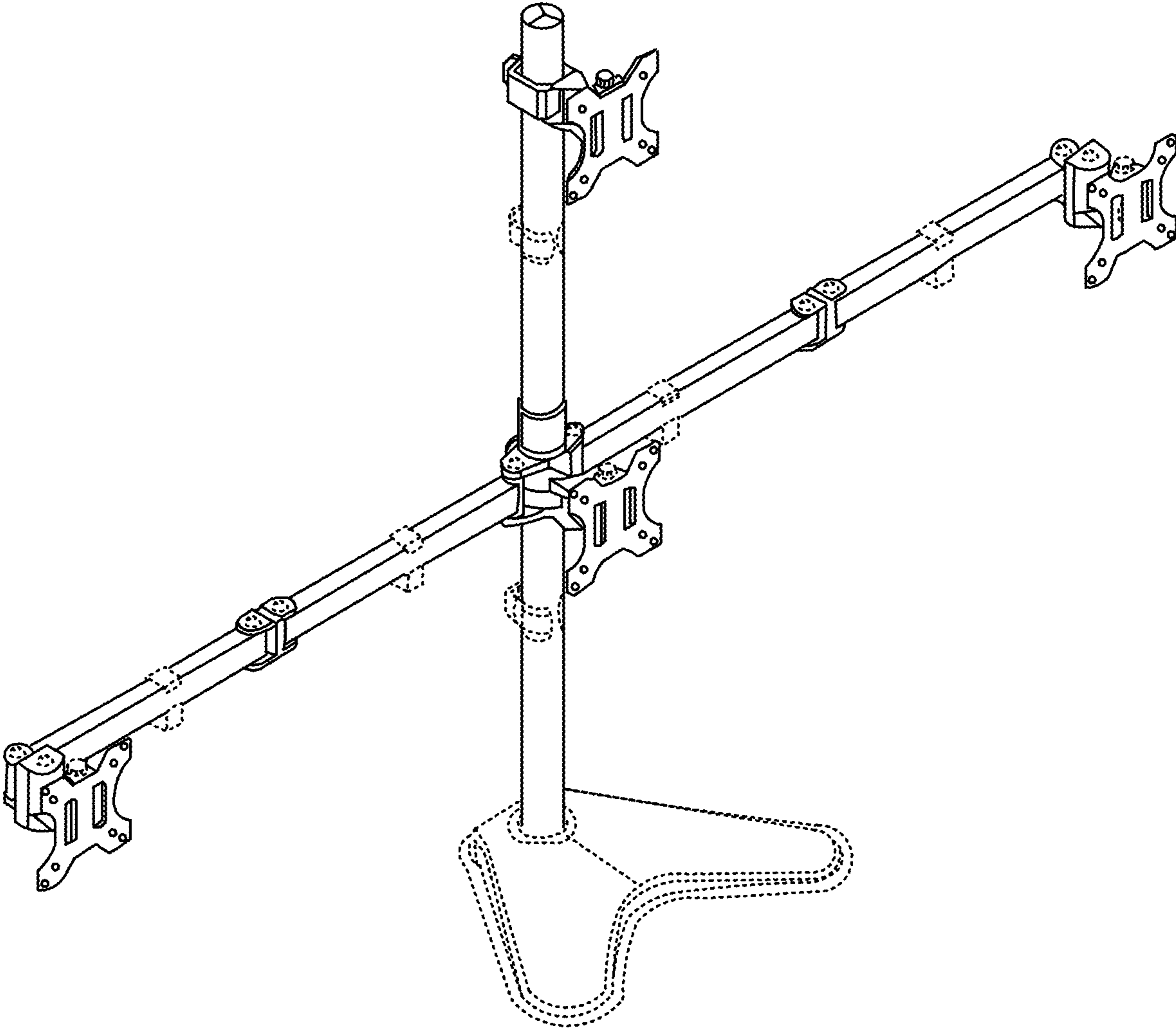


FIG. 7

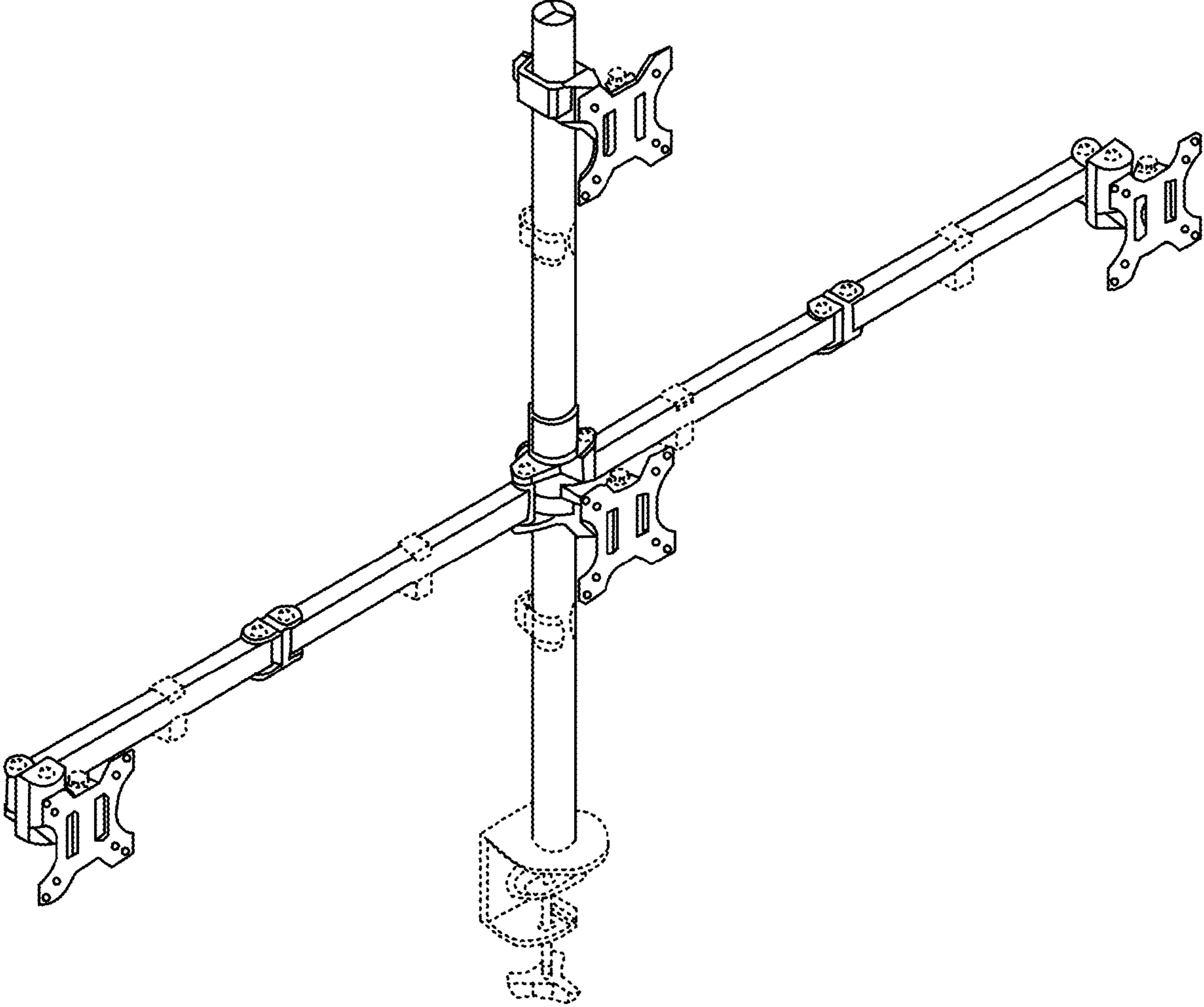


FIG. 8