



US00D966275S

(12) **United States Design Patent**
Yu et al.

(10) **Patent No.:** **US D966,275 S**
(45) **Date of Patent:** **** Oct. 11, 2022**

(54) **LAPTOP STAND**

(71) Applicant: **DONGGUAN RONGDEKANG ELECTRONIC TECHNOLOGY CO. LTD**, Dongguan (CN)

(72) Inventors: **Rongling Yu**, Jiujiang (CN); **Jian Liu**, Jiujiang (CN); **Kunxiang Shi**, Shenzhen (CN)

(73) Assignee: **DONGGUAN RONGDEKANG ELECTRONIC TECHNOLOGY CO. LTD**, Dongguan (CN)

(**) Term: **15 Years**

(21) Appl. No.: **29/784,097**

(22) Filed: **May 18, 2021**

(30) **Foreign Application Priority Data**

Dec. 15, 2020 (CN) 202030771377.3

(51) **LOC (13) Cl.** **14-02**

(52) **U.S. Cl.**
USPC **D14/447**

(58) **Field of Classification Search**
USPC D14/251, 252, 253, 432, 433, 434, 440, D14/447, 451, 452, 457; D6/406.3, D6/406.4, 406.5, 406.6, 655, 656; D19/91, 113; D13/107, 108
CPC A47B 2023/049; A47B 2097/006; A47B 23/04; A47B 23/043; A47B 23/044
See application file for complete search history.

(56) **References Cited**

U.S. PATENT DOCUMENTS

D413,872 S * 9/1999 Jessen D14/447
D673,961 S * 1/2013 Matsui D14/447
D711,884 S * 8/2014 Turksu D14/433
D711,888 S * 8/2014 Huebner D14/447
D729,256 S * 5/2015 Feng D14/447

D749,508 S * 2/2016 Ireland D13/108
D804,490 S * 12/2017 Wei D14/447
D857,019 S * 8/2019 Mecchella D14/434
D886,828 S * 6/2020 Huebner D14/447
D887,418 S * 6/2020 Valentine D14/447
D903,688 S * 12/2020 Hong D14/447
D913,290 S * 3/2021 Mecchella D14/434
D915,414 S * 4/2021 Yang D14/447
D936,660 S * 11/2021 He D14/447

(Continued)

FOREIGN PATENT DOCUMENTS

CN 306934143 * 11/2021

OTHER PUBLICATIONS

Amazon.com_Aceele 8-in-1 USB C Docking Station with Laptop Stand, first available Jul. 22, 2021 [online], retrieved Jul. 12, 2022, available at URL: <https://a.co/d/a0djc5V> (Year: 2021).*

Primary Examiner — Wendy L Arminio

Assistant Examiner — Carrie S Gelula

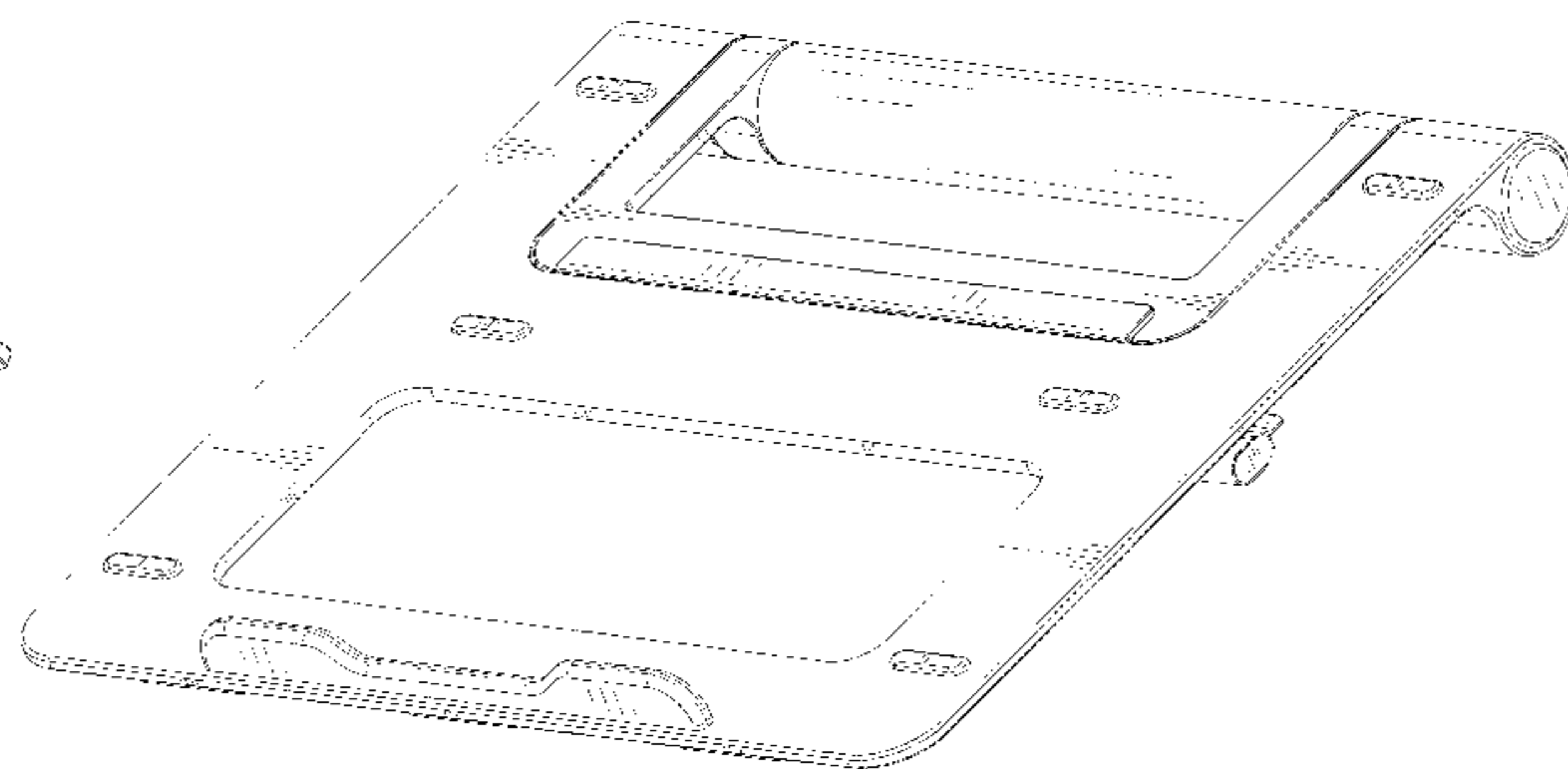
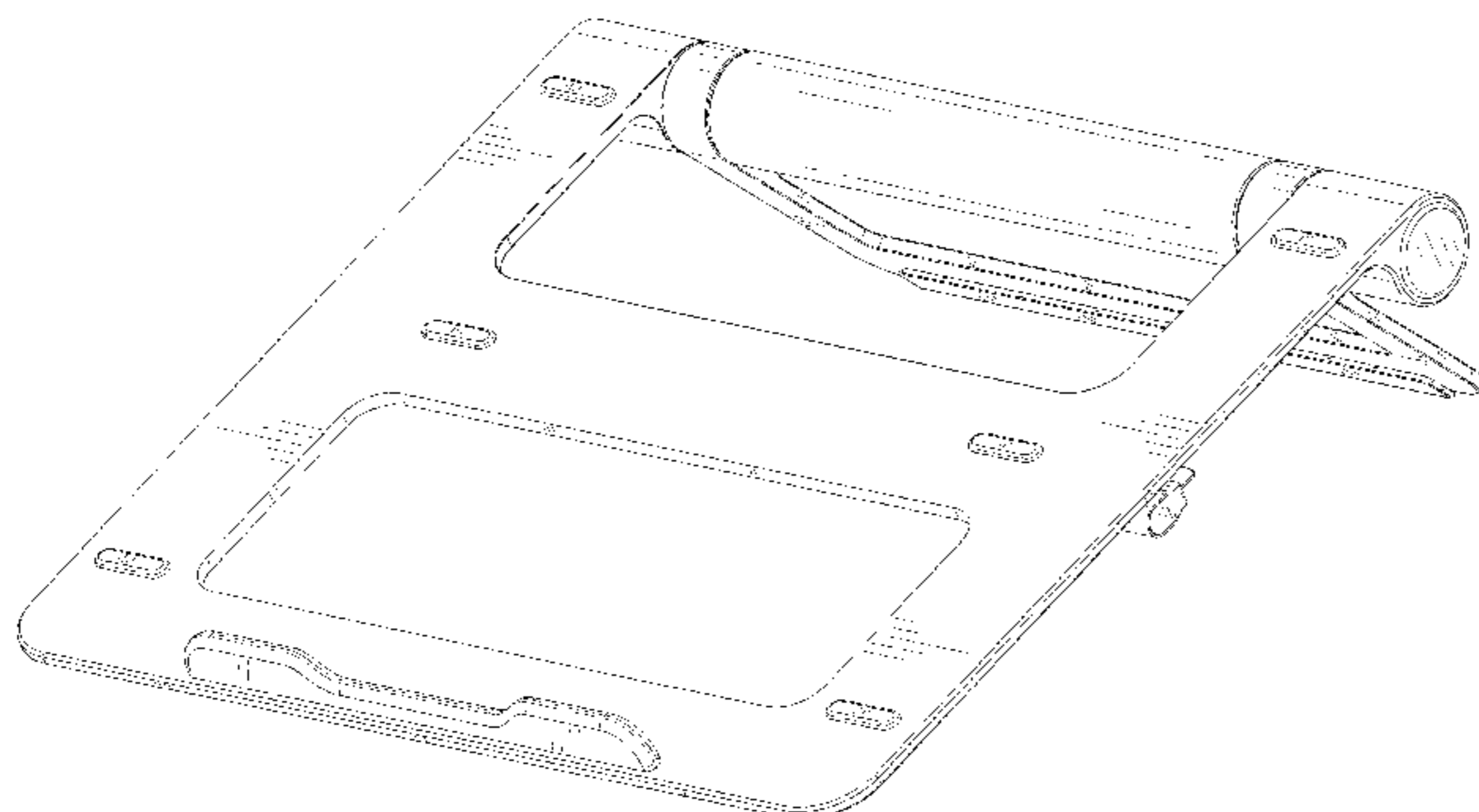
(57) **CLAIM**

The ornamental design for a laptop stand, as shown and described.

DESCRIPTION

FIG. 1 is a perspective view of a laptop stand showing my new design;
FIG. 2 is another perspective view thereof;
FIG. 3 is a front elevational view thereof;
FIG. 4 is a rear elevational view thereof;
FIG. 5 is a left side elevational view thereof;
FIG. 6 is a right side elevational view thereof;
FIG. 7 is a top plan view thereof;
FIG. 8 is a bottom plan view thereof; and,
FIG. 9 is a perspective view of the laptop stand where the laptop stand is in an alternative configuration of use.
The broken lines in the drawings depict portions of the laptop stand that form no part of the claimed design.

1 Claim, 9 Drawing Sheets



(56)

References Cited

U.S. PATENT DOCUMENTS

D943,594 S *	2/2022	Chen	D14/447
D944,729 S *	3/2022	Qi	D14/447
D944,806 S *	3/2022	Zhang	D14/251
D953,264 S *	5/2022	Qi	D14/447

* cited by examiner

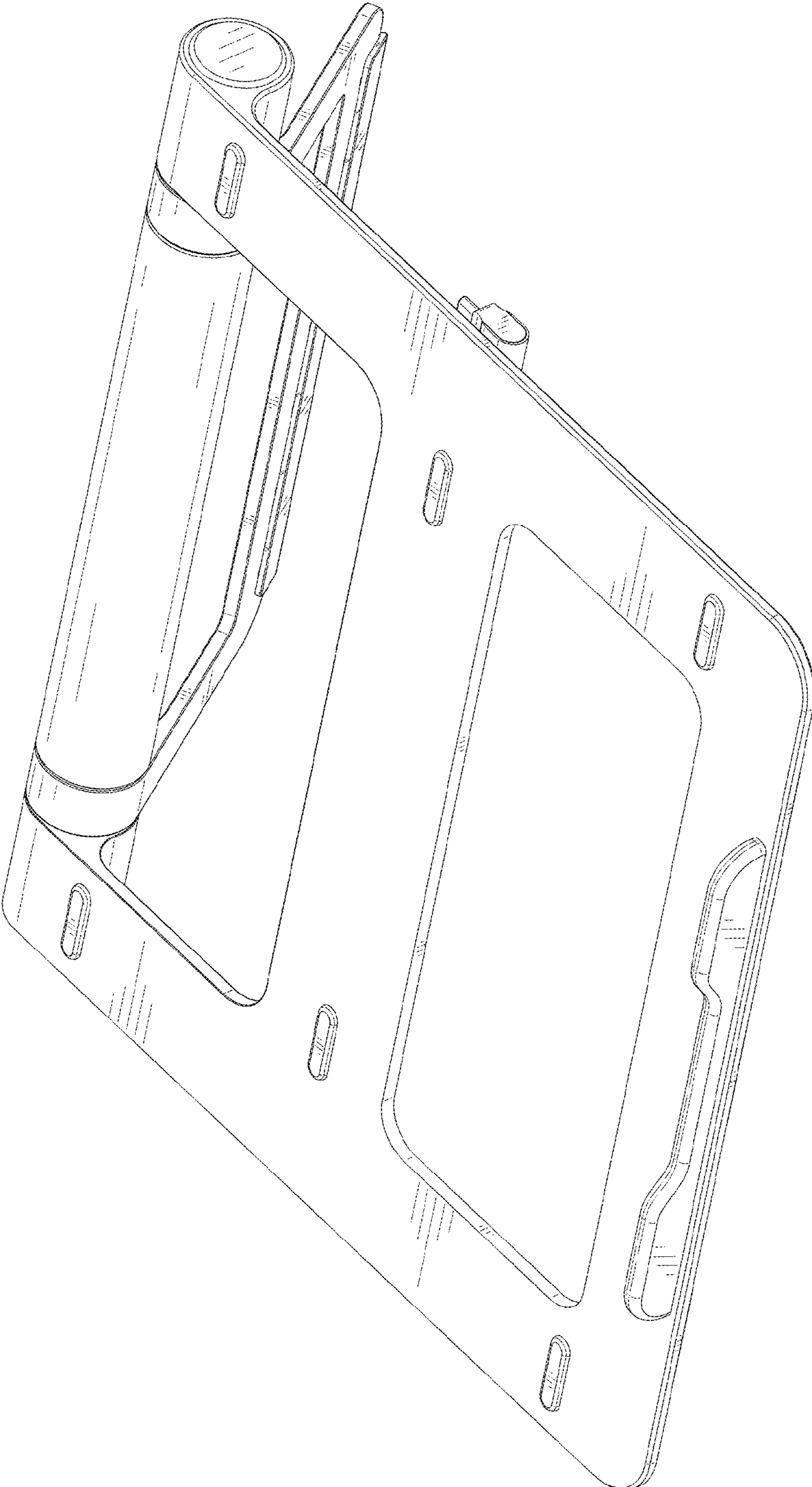


FIG. 1

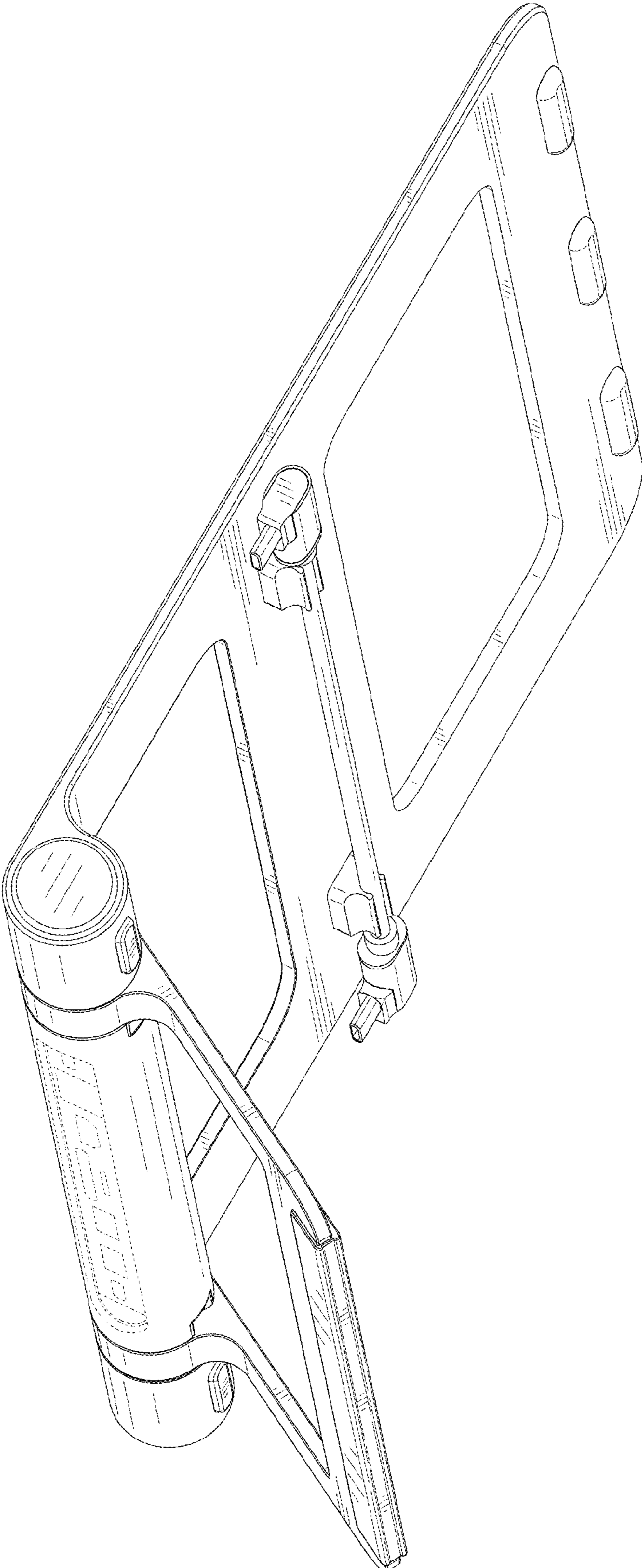


FIG. 2

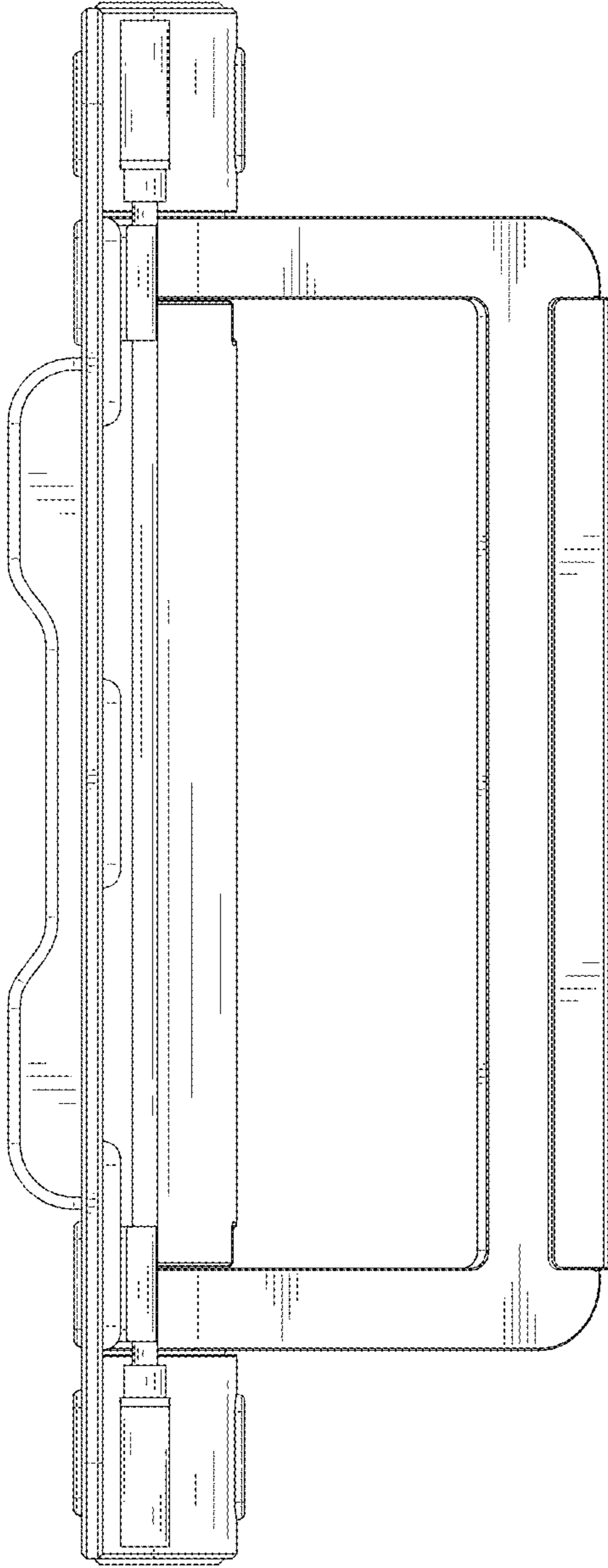


FIG. 3

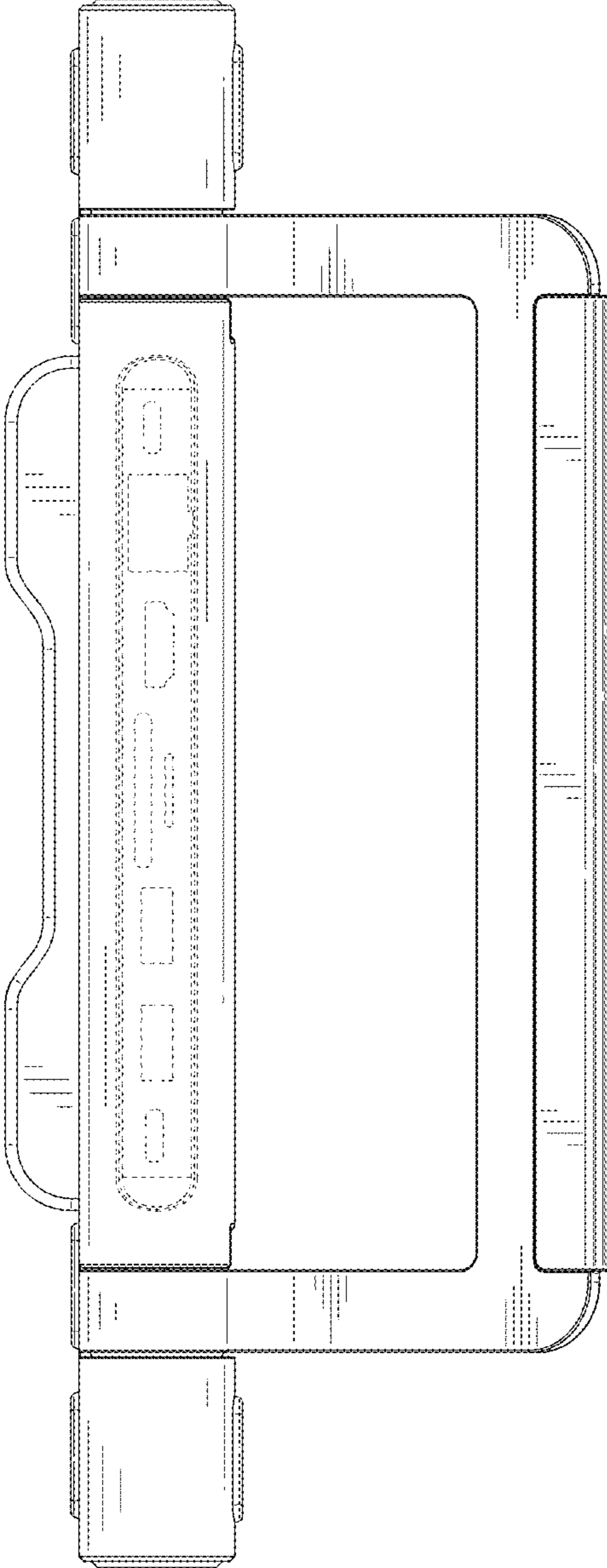


FIG. 4

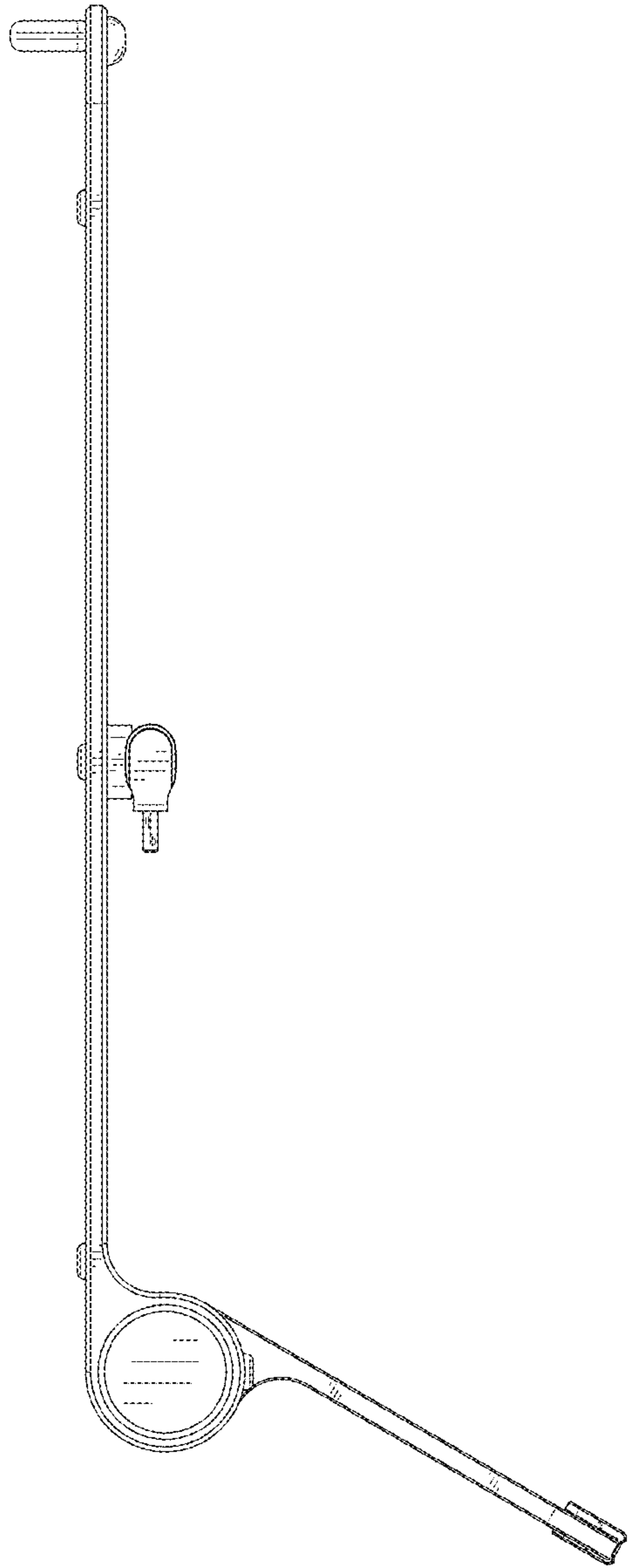


FIG. 5

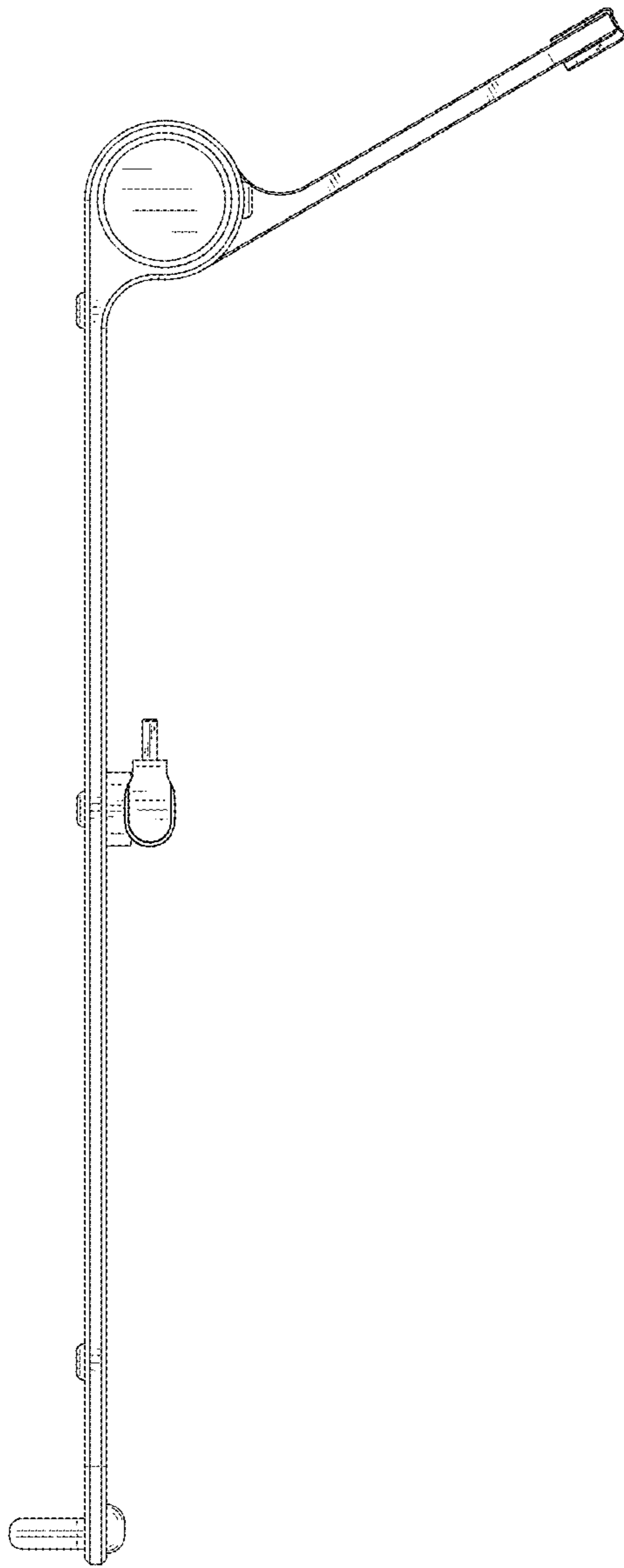


FIG. 6

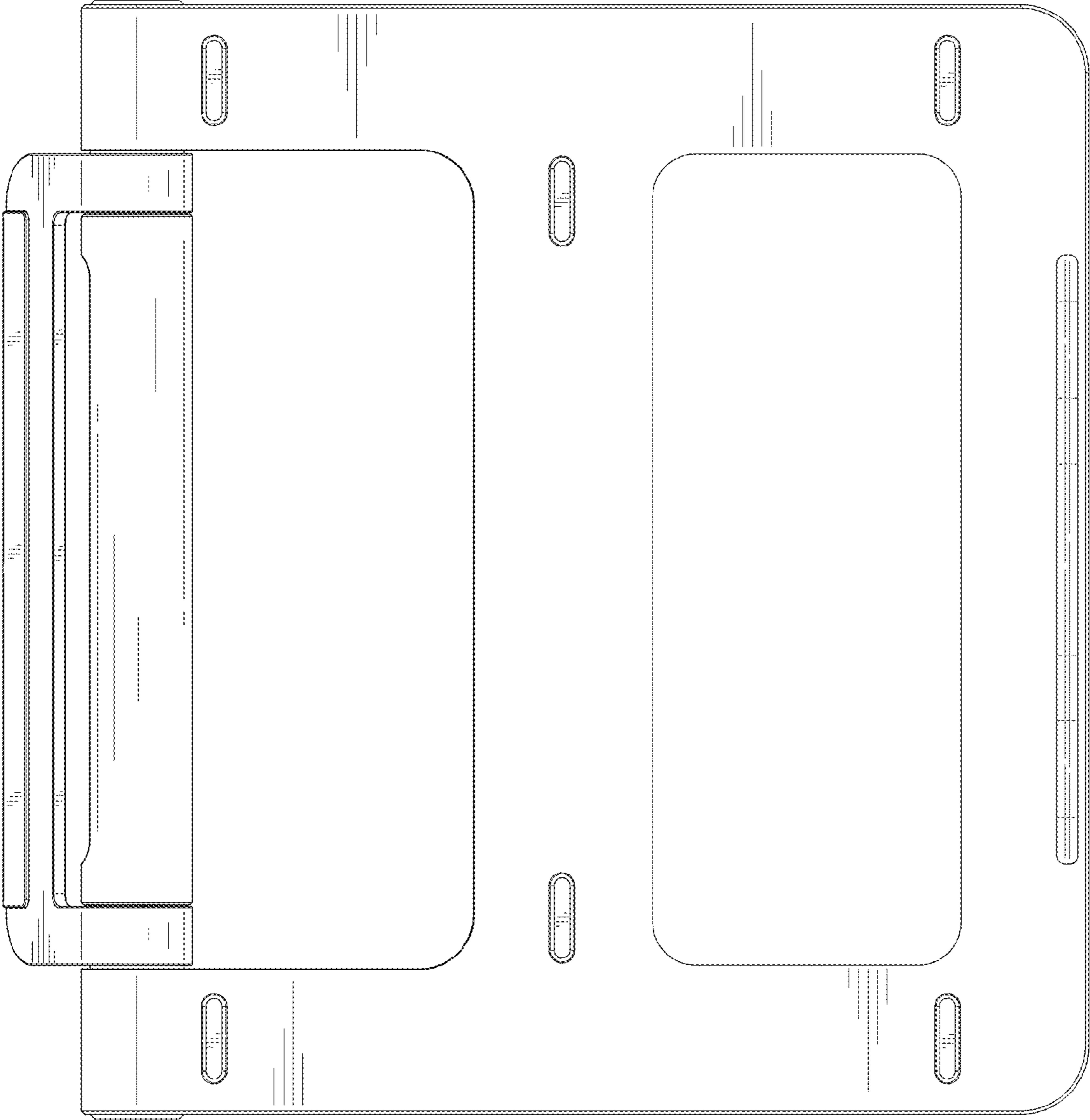


FIG. 7

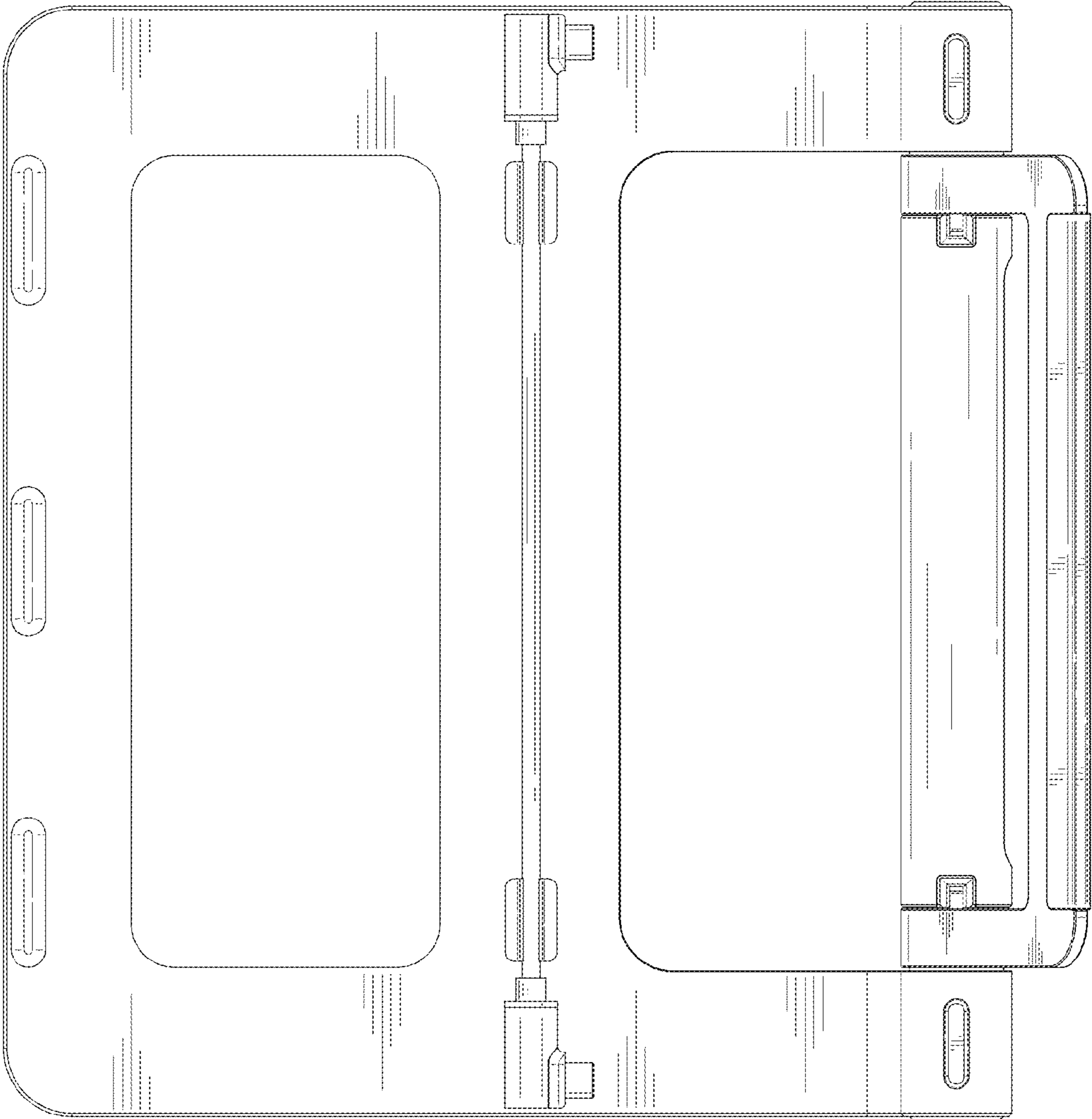


FIG. 8

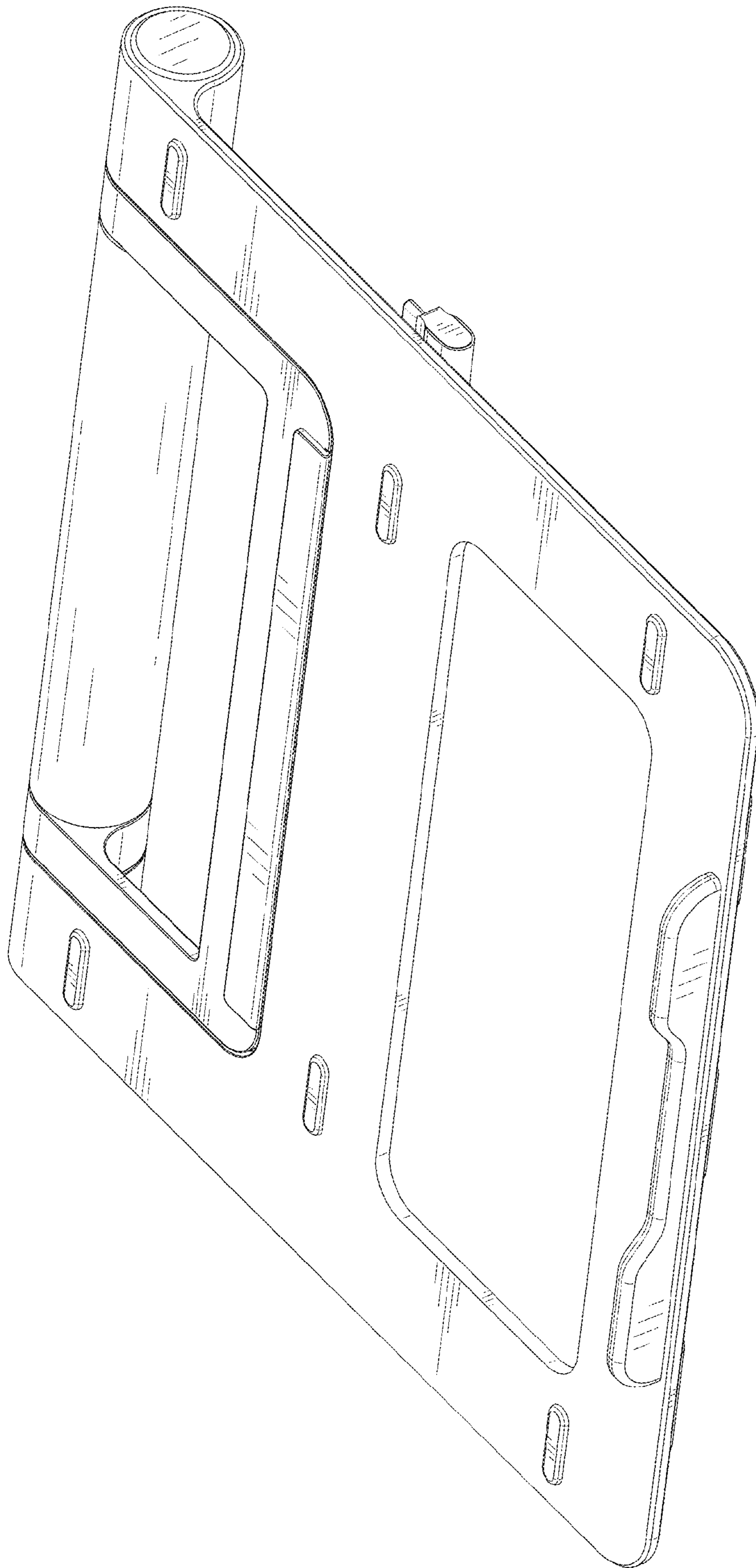


FIG. 9