

US00D966274S

(12) **United States Design Patent**
Yu et al.

(10) **Patent No.:** **US D966,274 S**

(45) **Date of Patent:** **** Oct. 11, 2022**

(54) **LAPTOP STAND**

(71) Applicant: **DONGGUAN RONGDEKANG ELECTRONIC TECHNOLOGY CO, LTD**, Dongguan (CN)

(72) Inventors: **Rongling Yu**, Jiujiang (CN); **Jian Liu**, Jiujiang (CN); **Kunxiang Shi**, Shenzhen (CN)

(73) Assignee: **DONGGUAN RONGDEKANG ELECTRONIC TECHNOLOGY CO, LTD**, Dongguan (CN)

(**) Term: **15 Years**

(21) Appl. No.: **29/784,094**

(22) Filed: **May 18, 2021**

(51) **LOC (13) Cl.** **14-02**

(52) **U.S. Cl.**
USPC **D14/447**

(58) **Field of Classification Search**
USPC D14/251, 252, 253, 432, 433, 434, 440, D14/447, 451, 452, 457; D6/406.3, D6/406.4, 406.5, 406.6, 655, 656; D19/91, 113; D13/107, 108
CPC A47B 2023/049; A47B 2097/006; A47B 23/04; A47B 23/043; A47B 23/044
See application file for complete search history.

(56) **References Cited**

U.S. PATENT DOCUMENTS

D413,872 S	*	9/1999	Jessen	D14/447
D673,961 S	*	1/2013	Matsui	D14/447
D711,884 S	*	8/2014	Turksu	D14/433
D711,888 S	*	8/2014	Huebner	D14/447
D729,256 S	*	5/2015	Feng	D14/447
D749,508 S	*	2/2016	Ireland	D13/108
D804,490 S	*	12/2017	Wei	D14/447
D857,019 S	*	8/2019	Mecchella	D14/434
D886,828 S	*	6/2020	Huebner	D14/447
D887,418 S	*	6/2020	Valentine	D14/447

D903,688 S	*	12/2020	Hong	D14/447
D913,290 S	*	3/2021	Mecchella	D14/434
D915,414 S	*	4/2021	Yang	D14/447
D936,660 S	*	11/2021	He	D14/447
D943,594 S	*	2/2022	Chen	D14/447
D944,729 S	*	3/2022	Qi	D14/447
D944,806 S	*	3/2022	Zhang	D14/251
D953,264 S	*	5/2022	Qi	D14/447

FOREIGN PATENT DOCUMENTS

CN 306934143 * 11/2021

OTHER PUBLICATIONS

Amazon.com_ Aceele 8-in-1 USB C Docking Station with Laptop Stand, first available Jul. 22, 2021 [online], retrieved Jul. 12, 2022, available at URL: <https://a.co/d/a0dje5V> (Year: 2021).*

* cited by examiner

Primary Examiner — Wendy L Arminio

Assistant Examiner — Carrie S Gelula

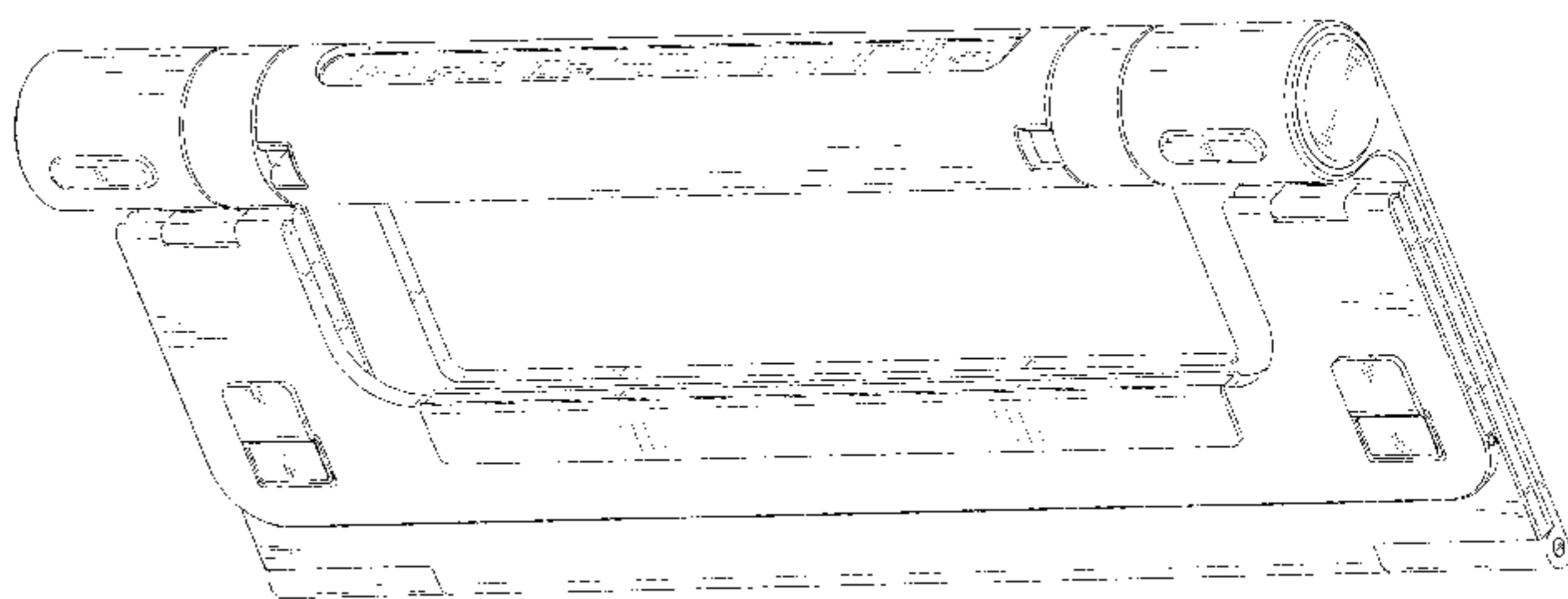
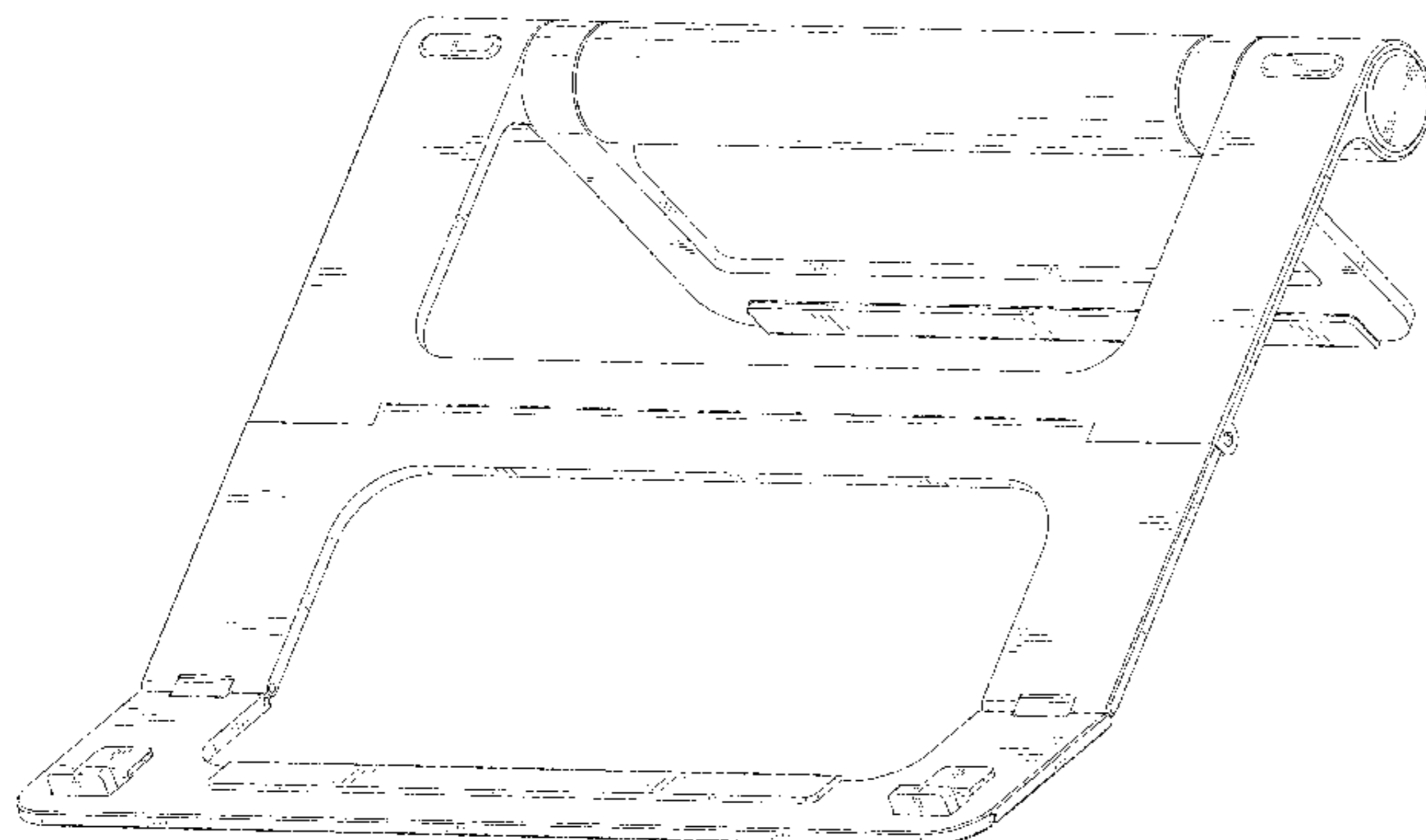
(57) **CLAIM**

The ornamental design for a laptop stand, as shown and described.

DESCRIPTION

FIG. 1 is a perspective view of a laptop stand showing my new design;
FIG. 2 is another perspective view thereof;
FIG. 3 is a front elevational view thereof;
FIG. 4 is a rear elevational view thereof;
FIG. 5 is a left side elevational view thereof;
FIG. 6 is a right side elevational view thereof;
FIG. 7 is a top plan view thereof;
FIG. 8 is a bottom plan view thereof; and,
FIG. 9 is a perspective view of the laptop stand where the laptop stand is in an alternative configuration of use.
The broken lines in the drawings depict portions of the laptop stand that form no part of the claimed design.

1 Claim, 9 Drawing Sheets



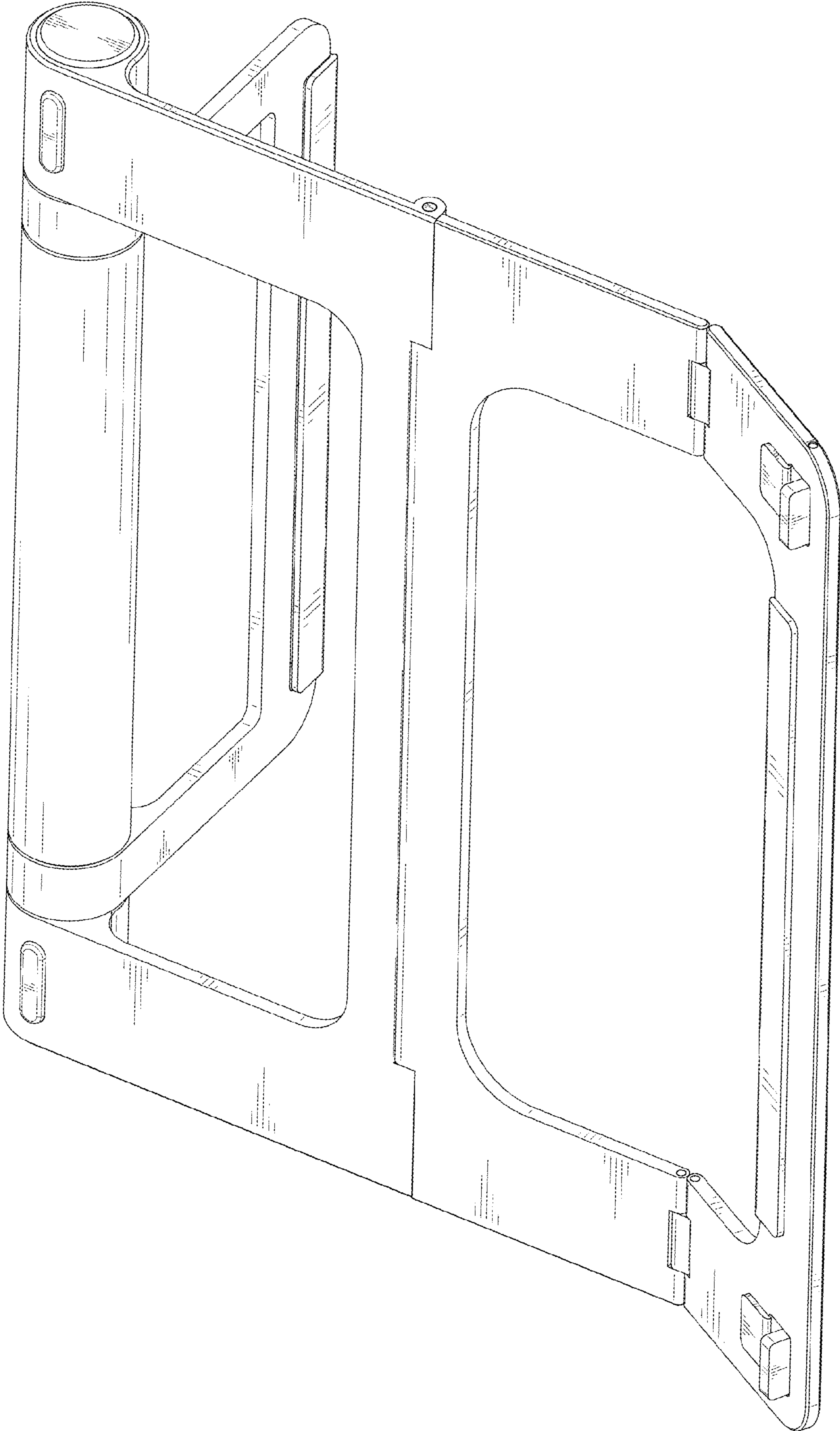


FIG. 1

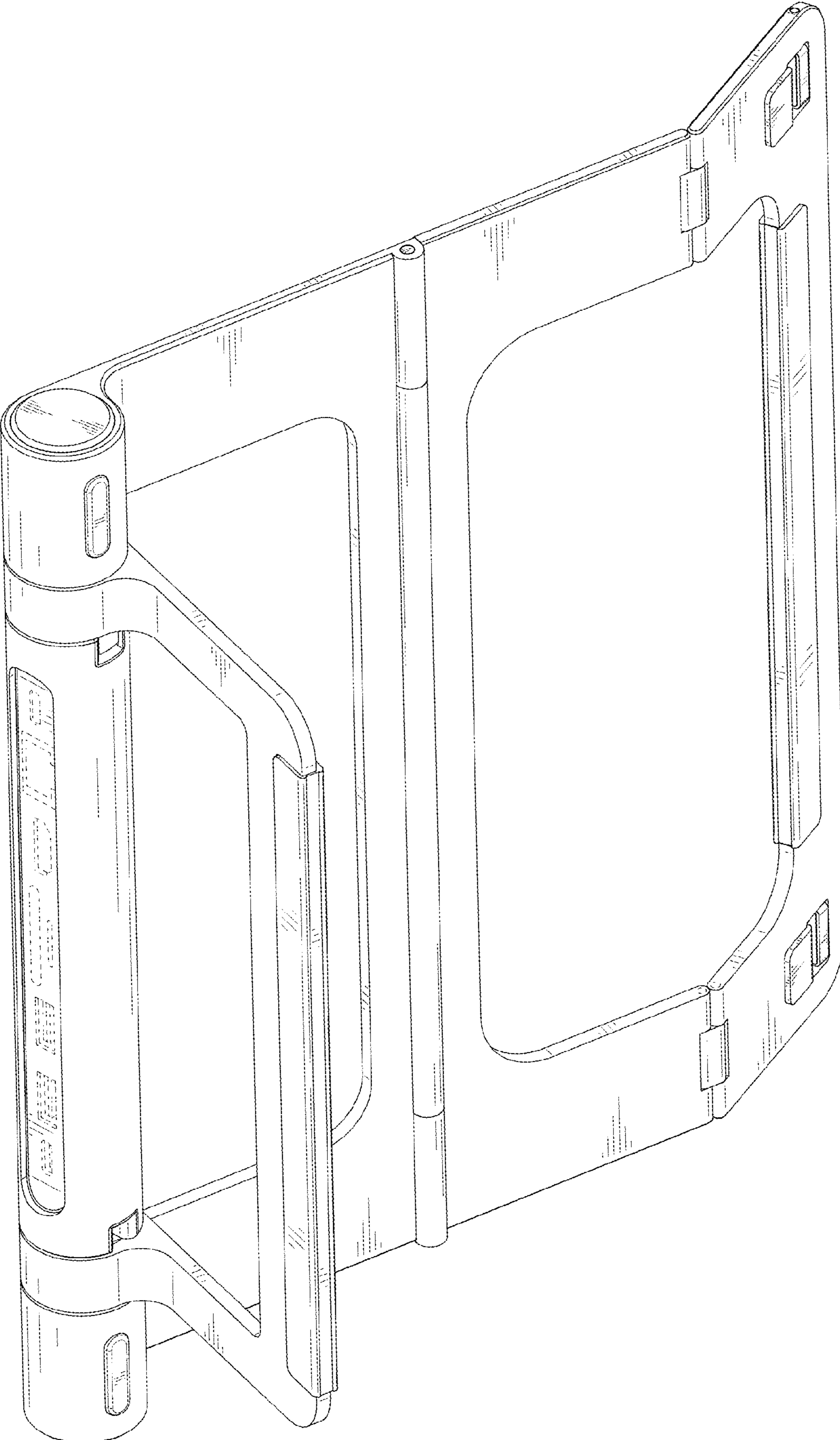


FIG. 2

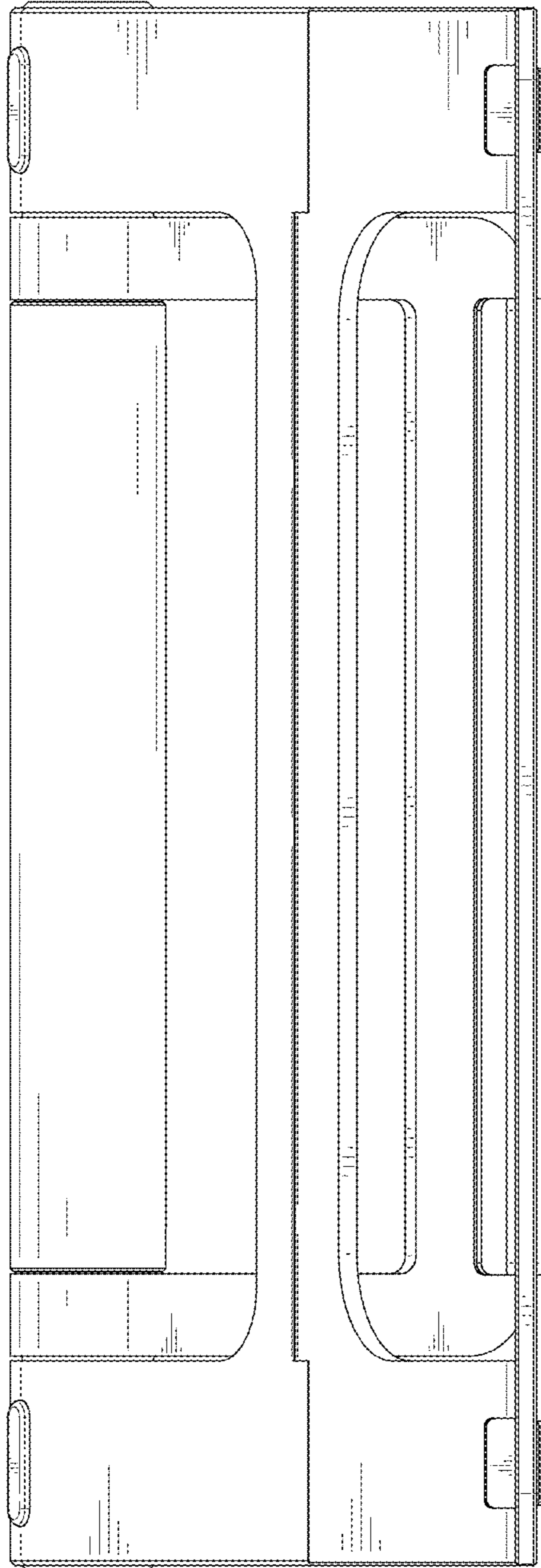


FIG. 3

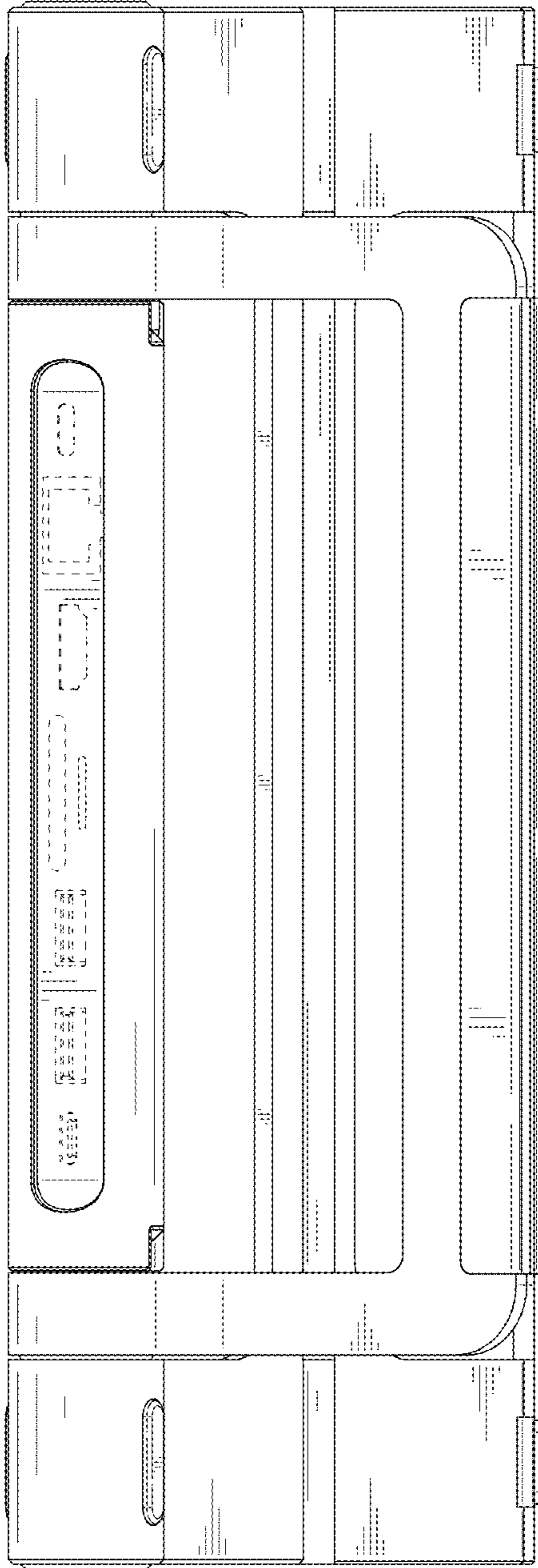


FIG. 4

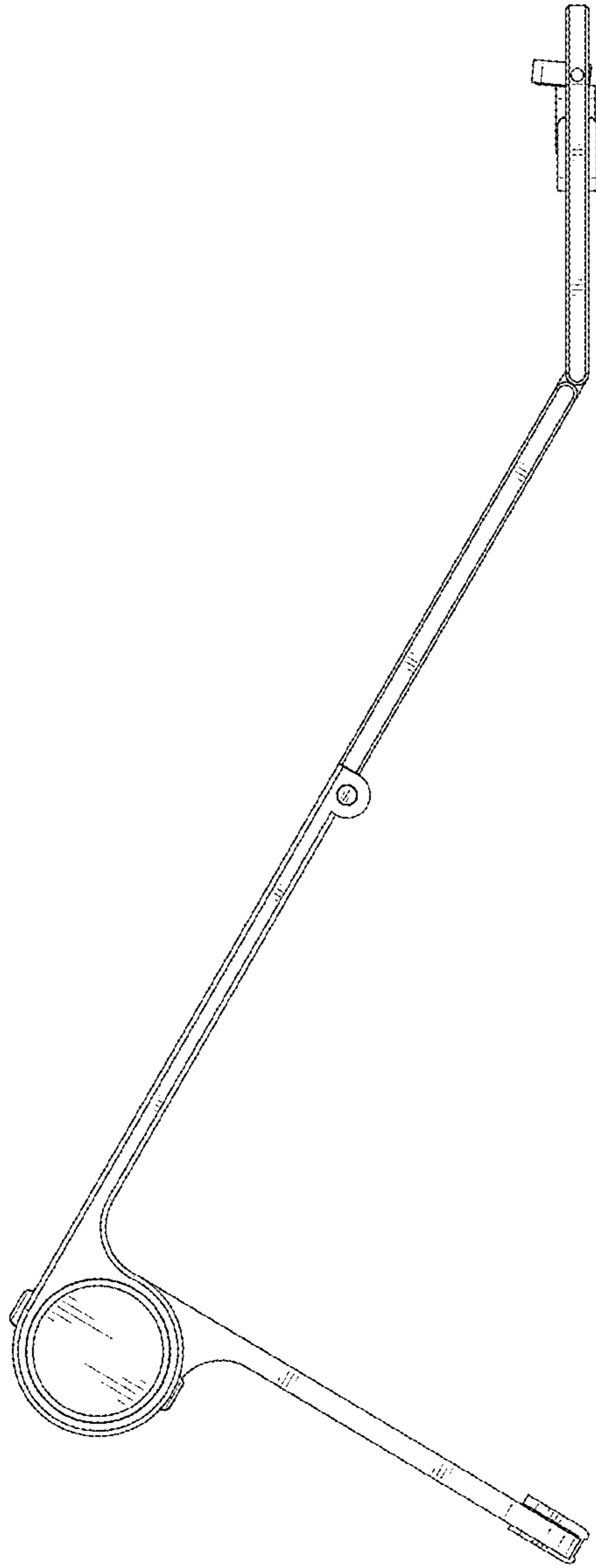


FIG. 5

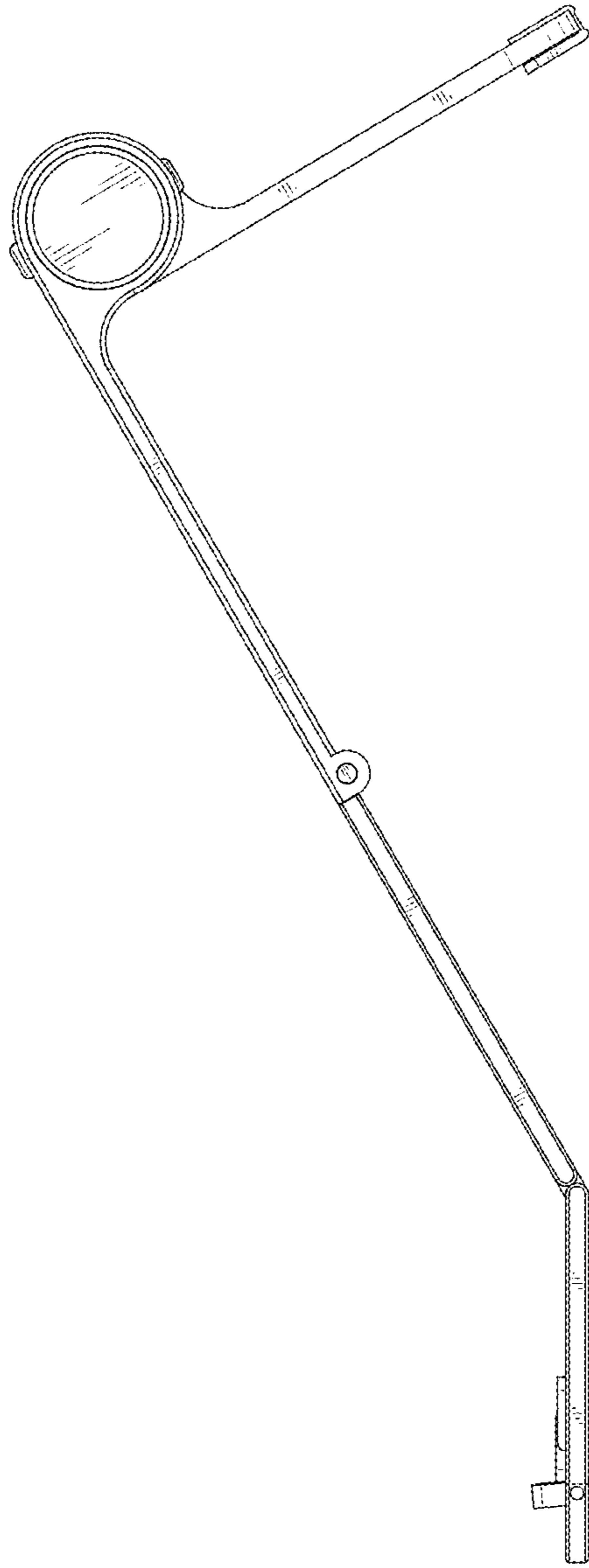


FIG. 6

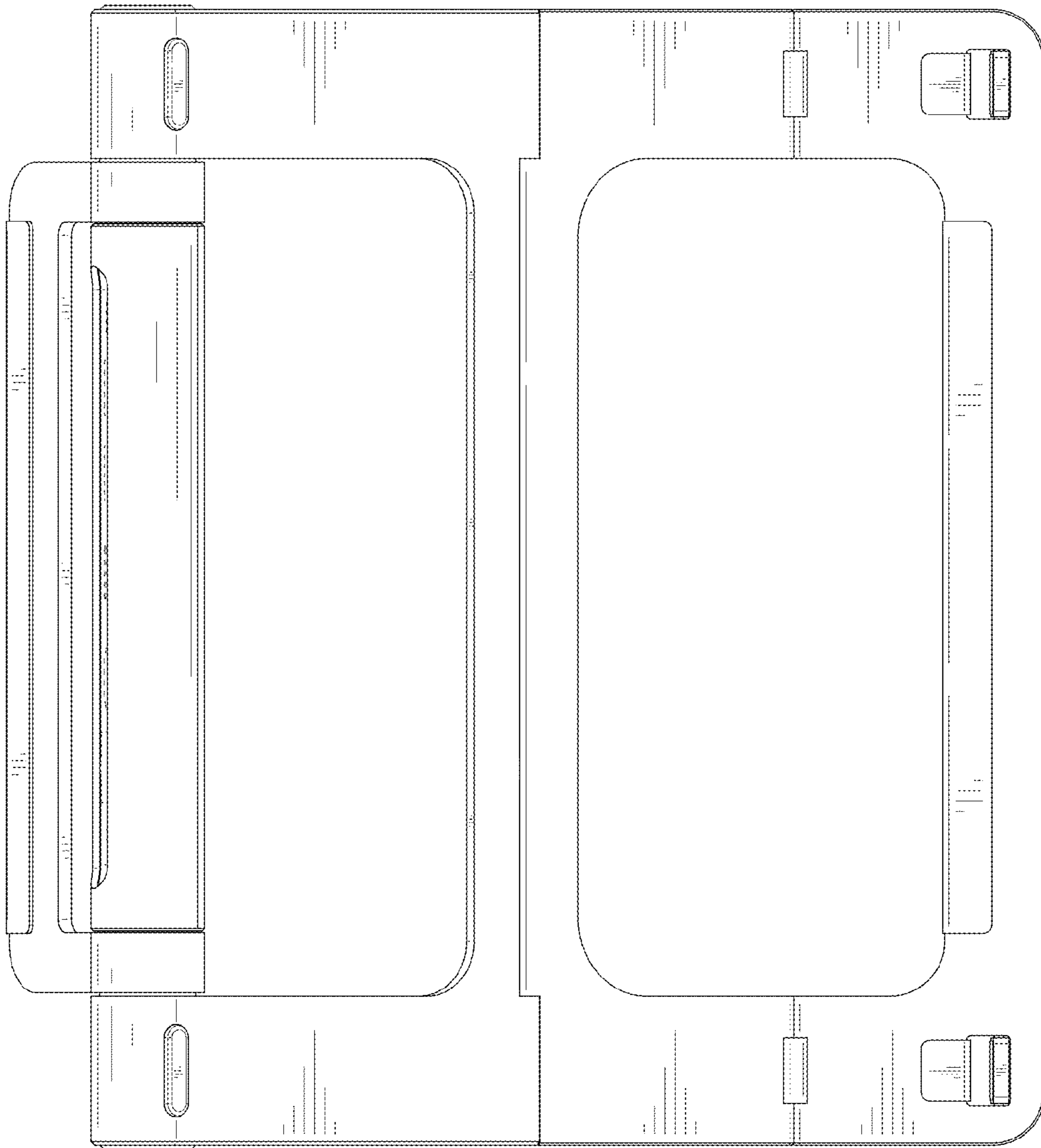


FIG. 7

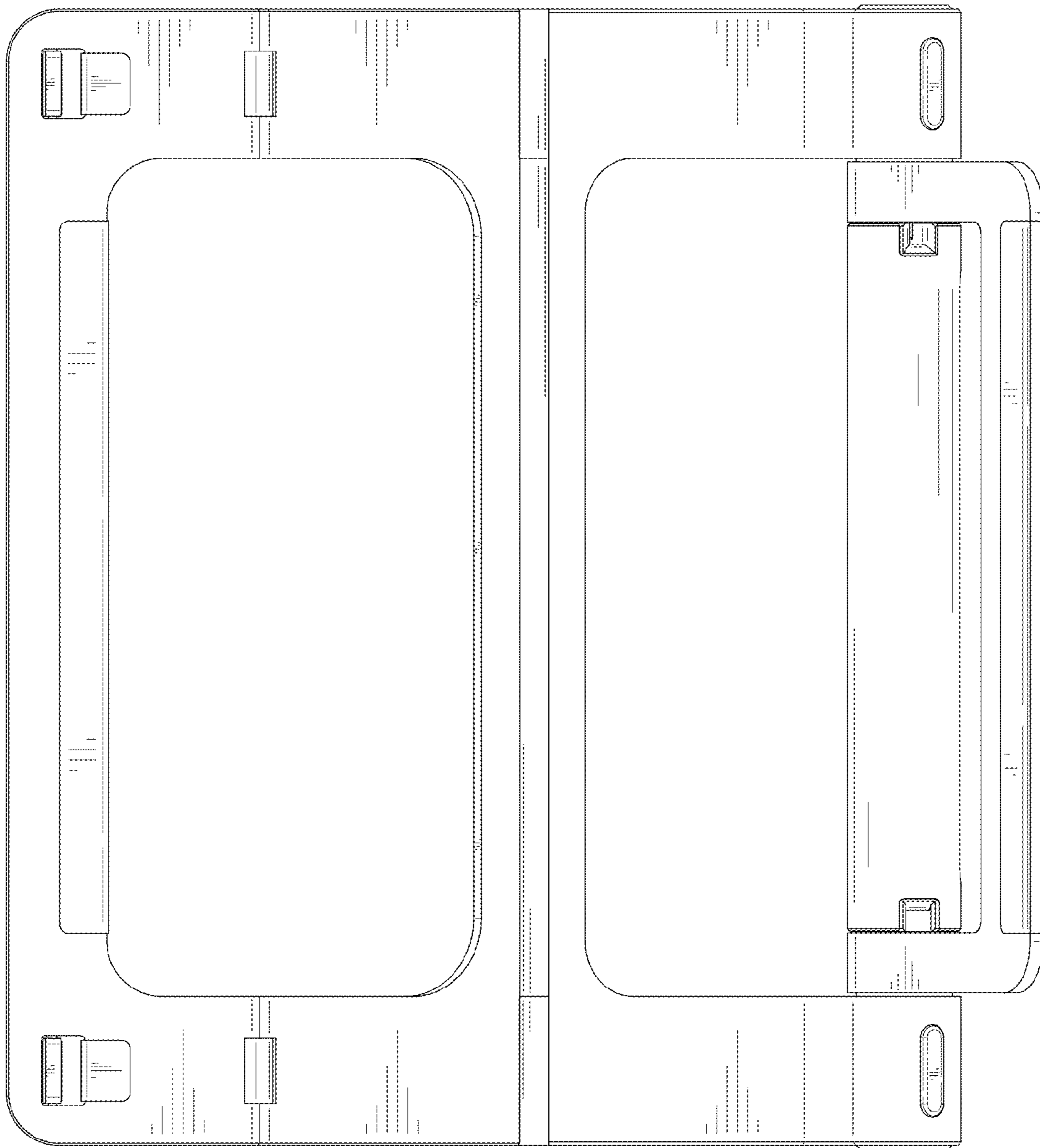


FIG. 8

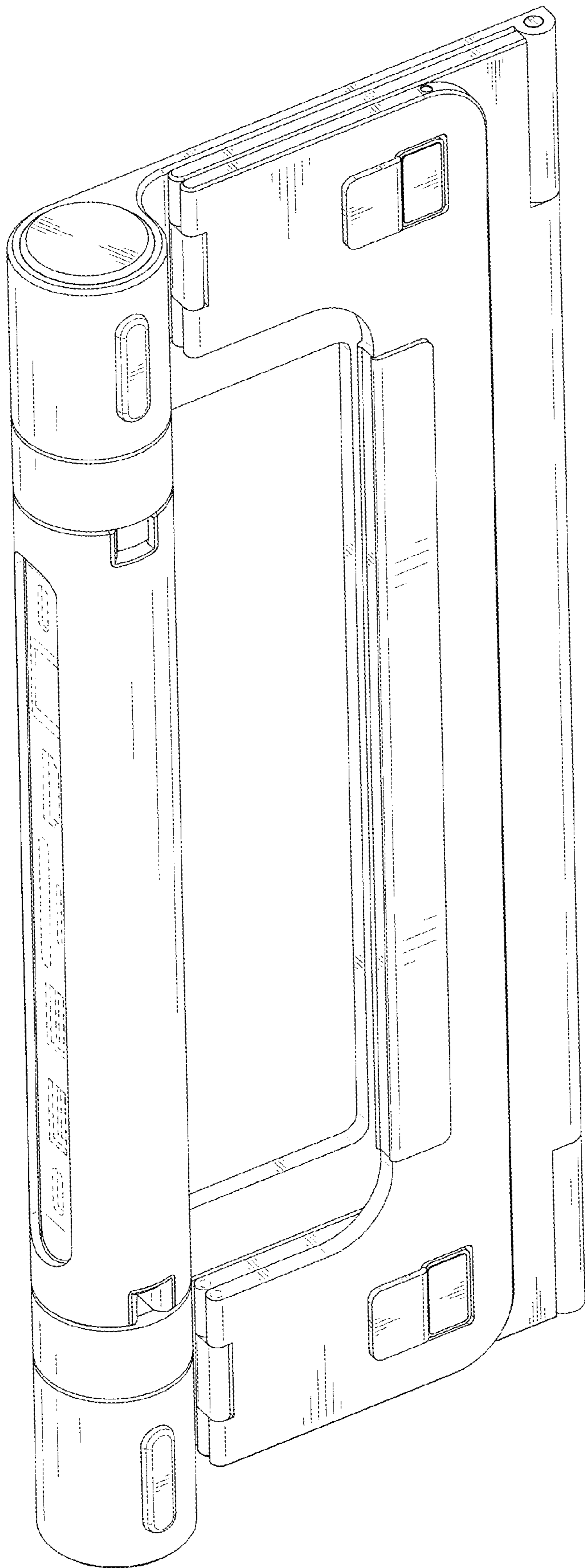


FIG. 9