



US00D966273S

(12) **United States Design Patent** (10) **Patent No.:** **US D966,273 S**
Chan et al. (45) **Date of Patent:** **** Oct. 11, 2022**

(54) **CASE FOR PORTABLE ELECTRONIC COMPUTING DEVICE**
(71) Applicant: **Pioneer Square Brands, Inc.**, Seattle, WA (US)
(72) Inventors: **Jaimie Emerald Chan**, Renton, WA (US); **Brian Lewis Piper**, Seattle, WA (US)
(73) Assignee: **Pioneer Square Brands, Inc.**, McLean, VA (US)
(**) Term: **15 Years**

D808,395 S 1/2018 Fenton
D810,732 S 2/2018 Fenton et al.
D811,410 S * 2/2018 Burmester D14/440
D816,087 S 4/2018 Fenton et al.
D817,334 S 5/2018 Fenton et al.
D832,269 S * 10/2018 Cheng D14/440
D835,625 S * 12/2018 Li D14/440
D837,219 S 1/2019 Gao
D837,796 S 1/2019 Kim et al.
D837,797 S * 1/2019 Wright D14/440

(Continued)

FOREIGN PATENT DOCUMENTS

FR 2985160 A3 * 7/2013 A45C 11/00
KR 300635178.0000 * 3/2012

OTHER PUBLICATIONS

Best ipad cases 2022, Esquire article, date visited Aug. 12, 2022, <https://www.esquire.com/lifestyle/g39438513/best-ipad-cases/>.*

Primary Examiner — John R Yeh
(74) *Attorney, Agent, or Firm* — Grandview Law

(21) Appl. No.: **29/821,821**
(22) Filed: **Jan. 3, 2022**
(51) **LOC (13) Cl.** **14-02**
(52) **U.S. Cl.**
USPC **D14/440**
(58) **Field of Classification Search**
USPC D14/440, 447; D3/276
CPC . A45C 11/34; A45C 15/00; G06F 1/20; G06F 1/203
See application file for complete search history.

(57) **CLAIM**

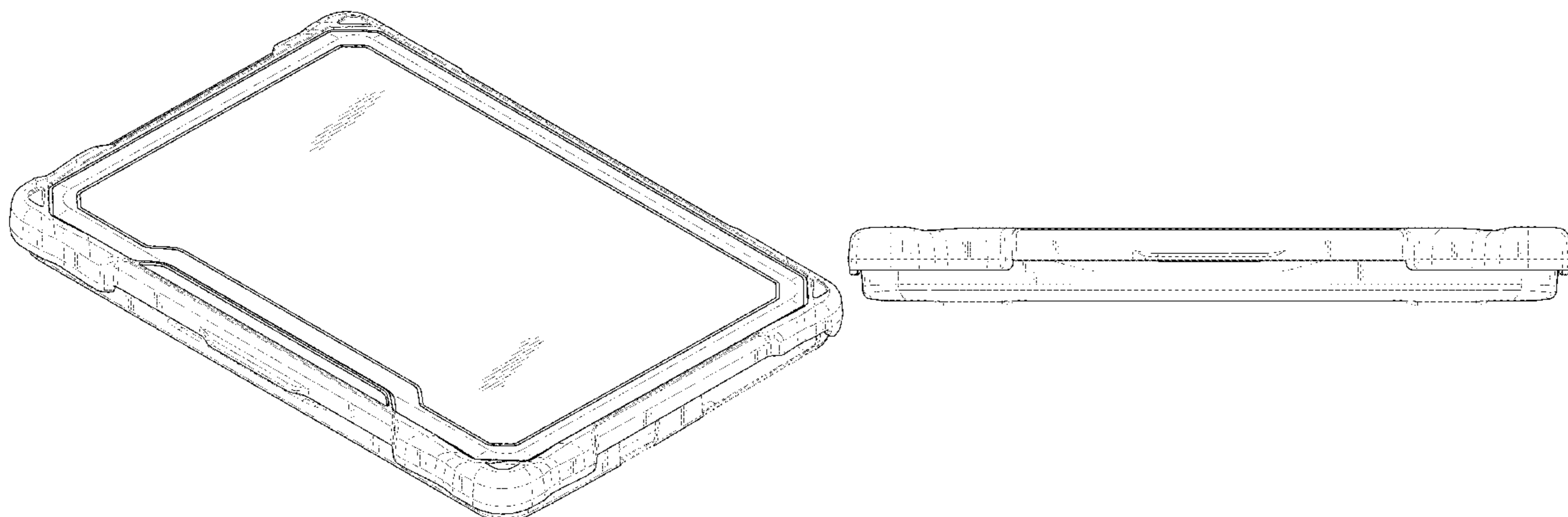
The ornamental design for a case for portable electronic computing device, as shown and described.

DESCRIPTION

FIG. 1 is a front perspective view of a case for portable electronic computing device showing my new design.
FIG. 2 is a front elevational view thereof.
FIG. 3 is a rear elevational view portion thereof.
FIG. 4 is a right elevational view thereof.
FIG. 5 is a left elevational view thereof.
FIG. 6 is a top plan view thereof; and,
FIG. 7 is a bottom plan view thereof.
The broken lines in the drawings depict features that form no part of the claimed design.

1 Claim, 7 Drawing Sheets

(56) **References Cited**
U.S. PATENT DOCUMENTS
D658,188 S 4/2012 Diebel
D663,304 S * 7/2012 Akana D14/440
D665,168 S * 8/2012 Dawson D3/276
D673,158 S * 12/2012 Yang D14/440
D681,641 S 5/2013 Van Den Nieuwenhuizen et al.
D689,056 S * 9/2013 Li D14/440
D696,257 S * 12/2013 Ward D14/440
D709,510 S * 7/2014 Soare D14/440
D724,091 S * 3/2015 Gelsomini D14/440
D729,255 S * 5/2015 Kilkenny D14/440
D763,853 S * 8/2016 Pearce D14/440
D784,349 S * 4/2017 Schwibner D14/440
D803,221 S * 11/2017 Guo D14/440



(56)

References Cited

U.S. PATENT DOCUMENTS

D852,201 S	1/2019	Chan et al.	
D841,012 S	2/2019	Kim et al.	
D841,013 S	2/2019	Ferren et al.	
D861,698 S	2/2019	Fenton et al.	
D844,611 S	4/2019	Ferren et al.	
D847,817 S	5/2019	Cheng	
D848,441 S	5/2019	Ferren et al.	
D850,452 S	6/2019	Akana et al.	
D850,454 S	6/2019	Kim et al.	
D852,199 S	6/2019	Kim et al.	
D852,200 S	6/2019	Chan et al.	
D852,802 S	7/2019	Gao	
D863,314 S	7/2019	Chan et al.	
D863,315 S	7/2019	Chan et al.	
D864,210 S	7/2019	Chan et al.	
D863,316 S	9/2019	Chan et al.	
D862,478 S	* 10/2019	Ahn	D14/440
D862,480 S	* 10/2019	Chan	D14/440
D863,313 S	* 10/2019	Li	D14/440
D863,317 S	10/2019	Piper et al.	
D868,789 S	12/2019	Weng	
D868,790 S	12/2019	Weng	
D874,467 S	2/2020	Piper et al.	
D881,895 S	4/2020	Liu	
D883,989 S	5/2020	Cheng	
D888,063 S	6/2020	Chan et al.	
D888,718 S	6/2020	Xu	
D892,804 S	8/2020	Lin	
D892,806 S	8/2020	Manazo et al.	
D895,630 S	9/2020	Piper et al.	
D897,349 S	* 9/2020	Li	D14/440
D898,035 S	* 10/2020	Xu	D14/440
D898,747 S	* 10/2020	Deng	D14/440
D902,934 S	11/2020	Manzano et al.	
D905,698 S	12/2020	Wall	
D905,699 S	12/2020	Hyun	
D906,334 S	12/2020	Du	
D906,338 S	12/2020	Hyun	
D906,341 S	12/2020	Jiao	
D907,638 S	1/2021	Yang	
D908,129 S	1/2021	Nyholm et al.	
D908,132 S	1/2021	Poon	
D908,708 S	1/2021	Miller et al.	
D910,026 S	2/2021	Li	
D910,641 S	2/2021	Wu	
D911,349 S	2/2021	Giazzon	
D913,294 S	* 3/2021	Li	D14/440
D913,295 S	3/2021	Piper et al.	
D920,337 S	5/2021	Chan et al.	
D920,983 S	6/2021	Chan et al.	
D922,392 S	6/2021	Chan et al.	
D926,194 S	7/2021	Piper et al.	
D928,167 S	8/2021	Cheng	
D930,653 S	9/2021	Armstrong	
D933,074 S	10/2021	Hu	
D933,665 S	10/2021	Ke	
D934,262 S	10/2021	Manzano et al.	
D935,468 S	11/2021	Li	
D936,061 S	11/2021	Li	
D936,659 S	11/2021	Li	
D937,273 S	* 11/2021	Wei	D14/440
D939,513 S	12/2021	Fleming	
D939,514 S	12/2021	Wall et al.	
D941,297 S	* 1/2022	Wright	D14/440

* cited by examiner

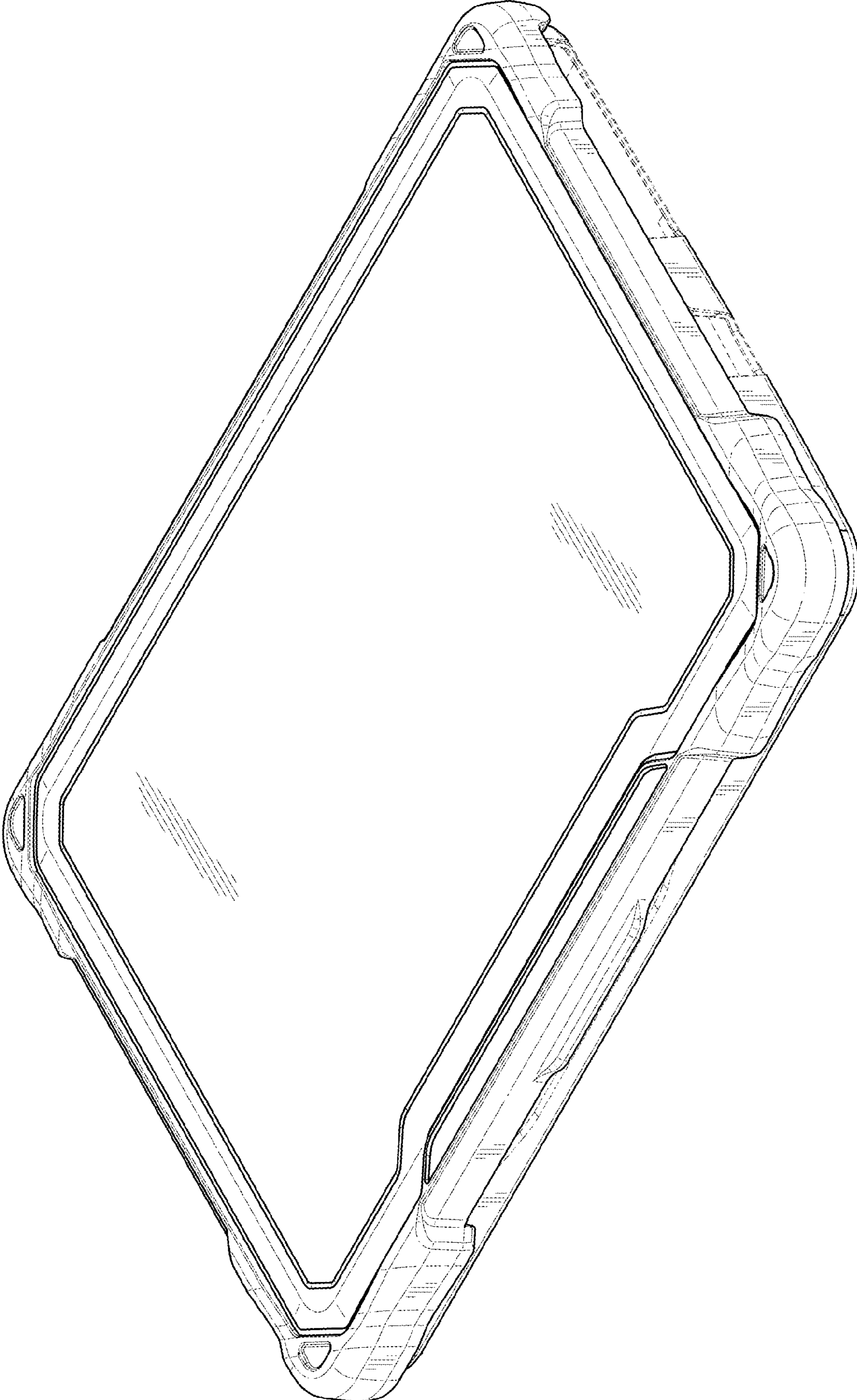


FIG. 1

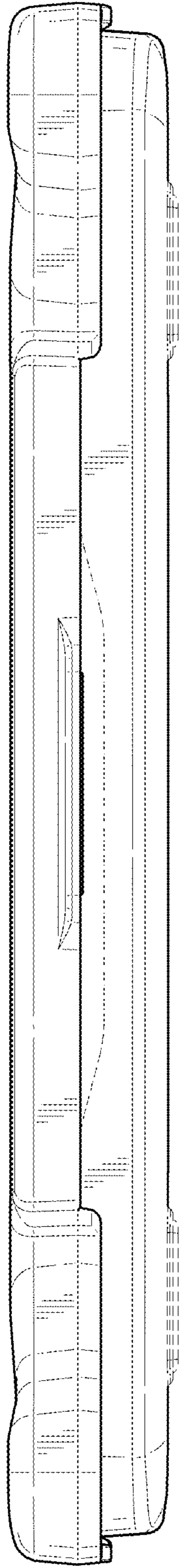


FIG. 2

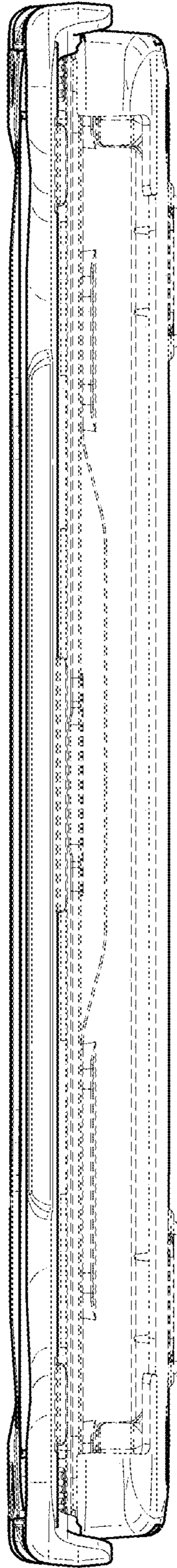


FIG. 3

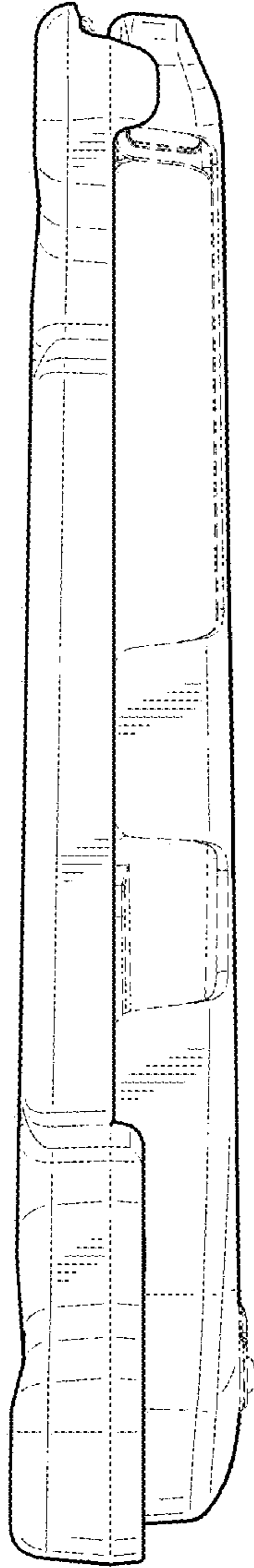


FIG. 4

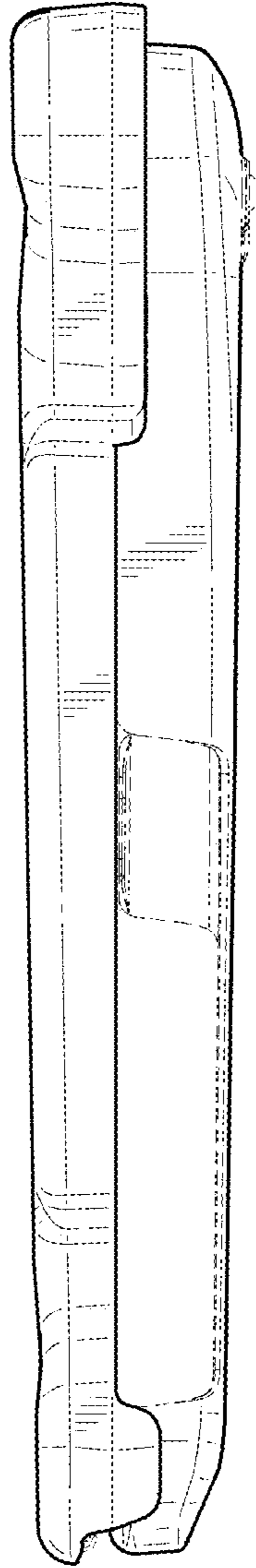


FIG. 5

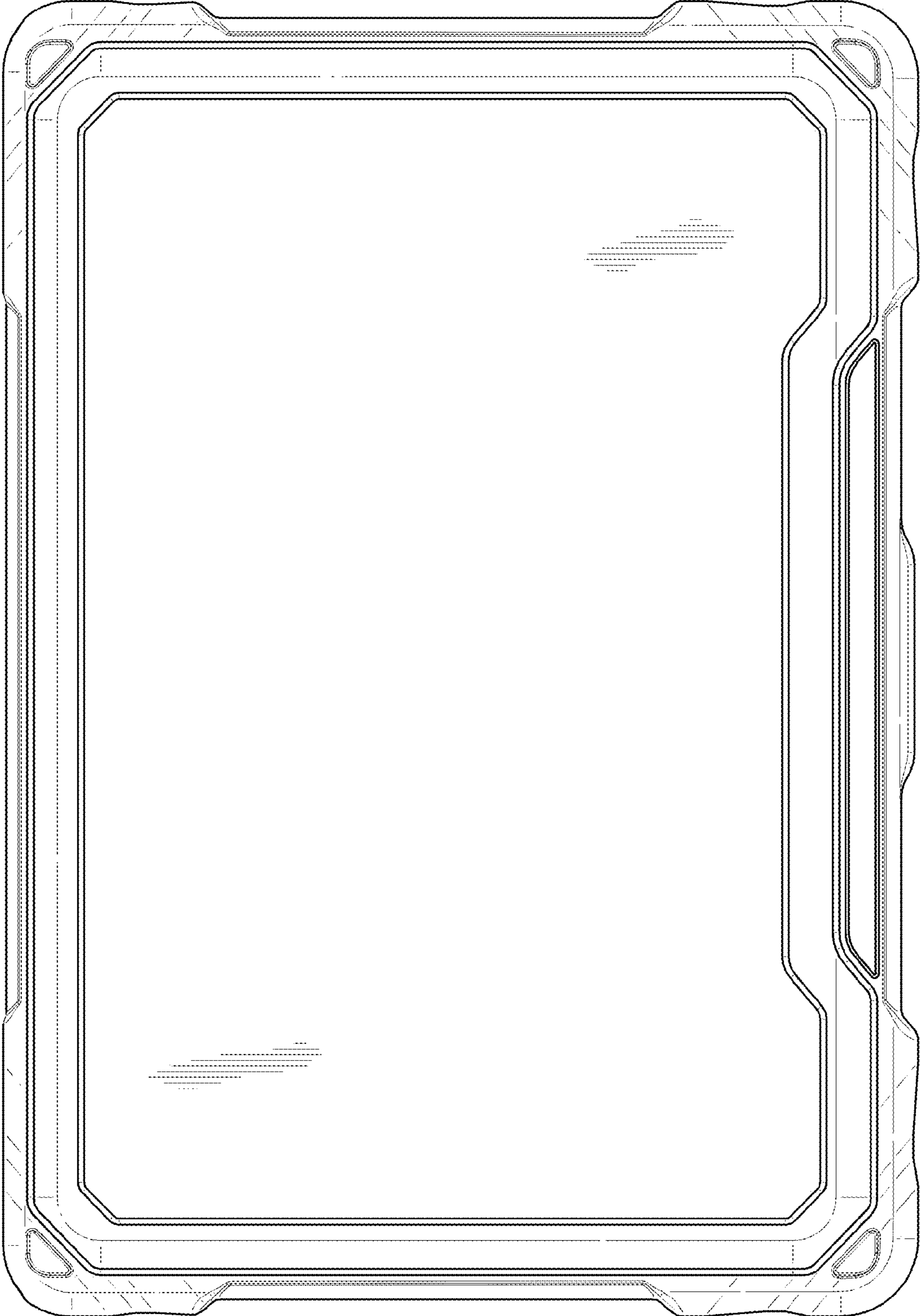


FIG. 6

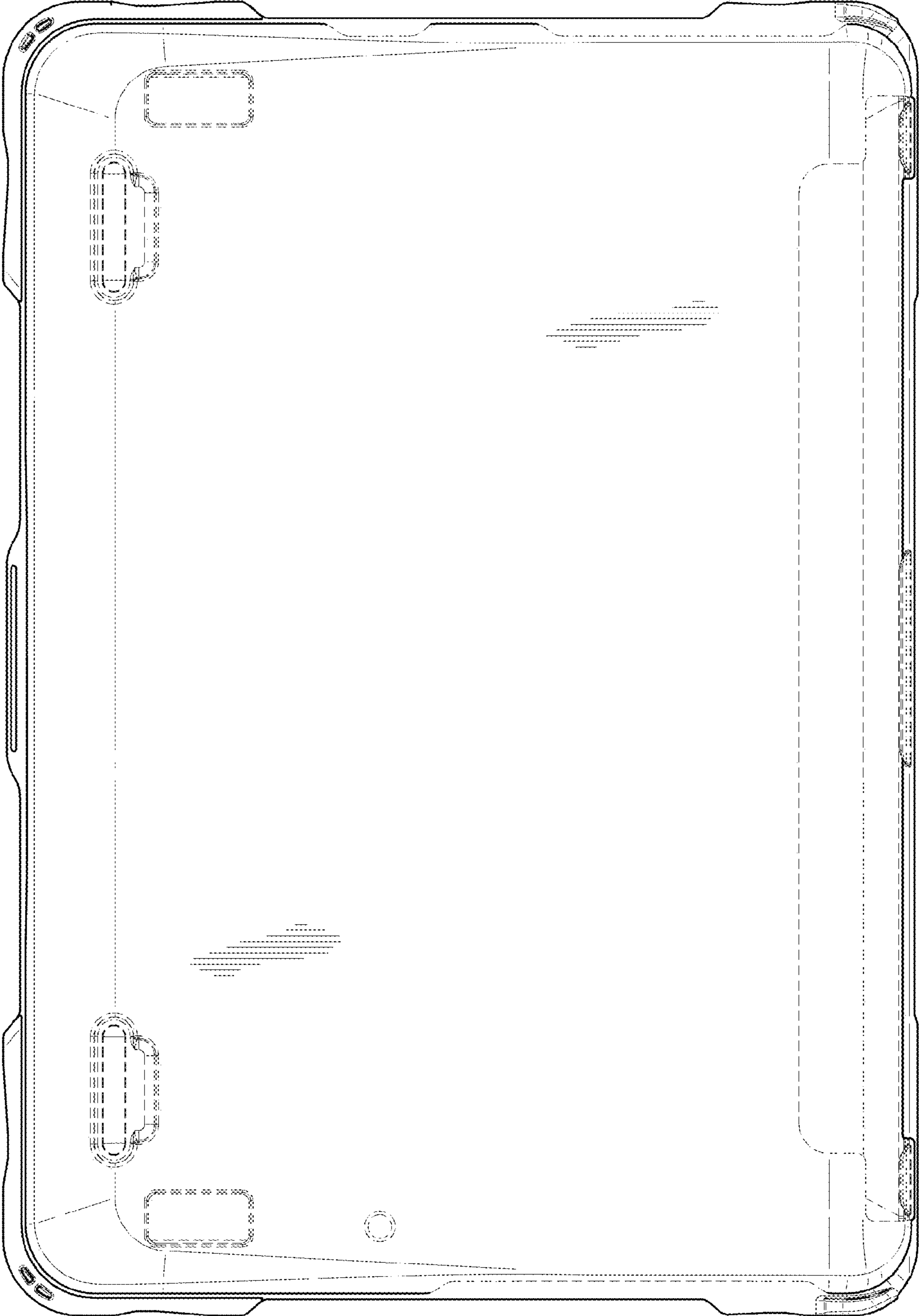


FIG. 7