



US00D966271S

(12) **United States Design Patent** (10) **Patent No.:** **US D966,271 S**
Du (45) **Date of Patent:** **** Oct. 11, 2022**

(54) **LAPTOP CASE**
(71) Applicant: **SHENZHEN DDC TECHNOLOGY CO., LTD**, Shenzhen (CN)
(72) Inventor: **Decheng Du**, Xinyang (CN)
(73) Assignee: **SHENZHEN DDC TECHNOLOGY CO., LTD**, Shenzhen (CN)
(**) Term: **15 Years**
(21) Appl. No.: **29/768,889**
(22) Filed: **Feb. 2, 2021**
(51) **LOC (13) Cl.** **14-02**
(52) **U.S. Cl.**
USPC **D14/440**
(58) **Field of Classification Search**
USPC D14/440, 250, 447; 206/45.2, 45.23, 206/320; 361/679.55; 294/25; 224/218
CPC ... G06F 1/1628; G06F 1/1626; A47B 23/044; H04B 1/3888
See application file for complete search history.

D748,636 S * 2/2016 Zadvinskis D14/440
D779,497 S * 2/2017 Meng D14/440
D788,058 S * 5/2017 Astheimer D14/138 G
D789,315 S * 6/2017 Astheimer D14/138 G
D812,618 S * 3/2018 Altaras D14/440
D883,989 S * 5/2020 Cheng D14/440
D893,497 S * 8/2020 Li D14/440

* cited by examiner
Primary Examiner — Katie Jane Stofko

(57) **CLAIM**

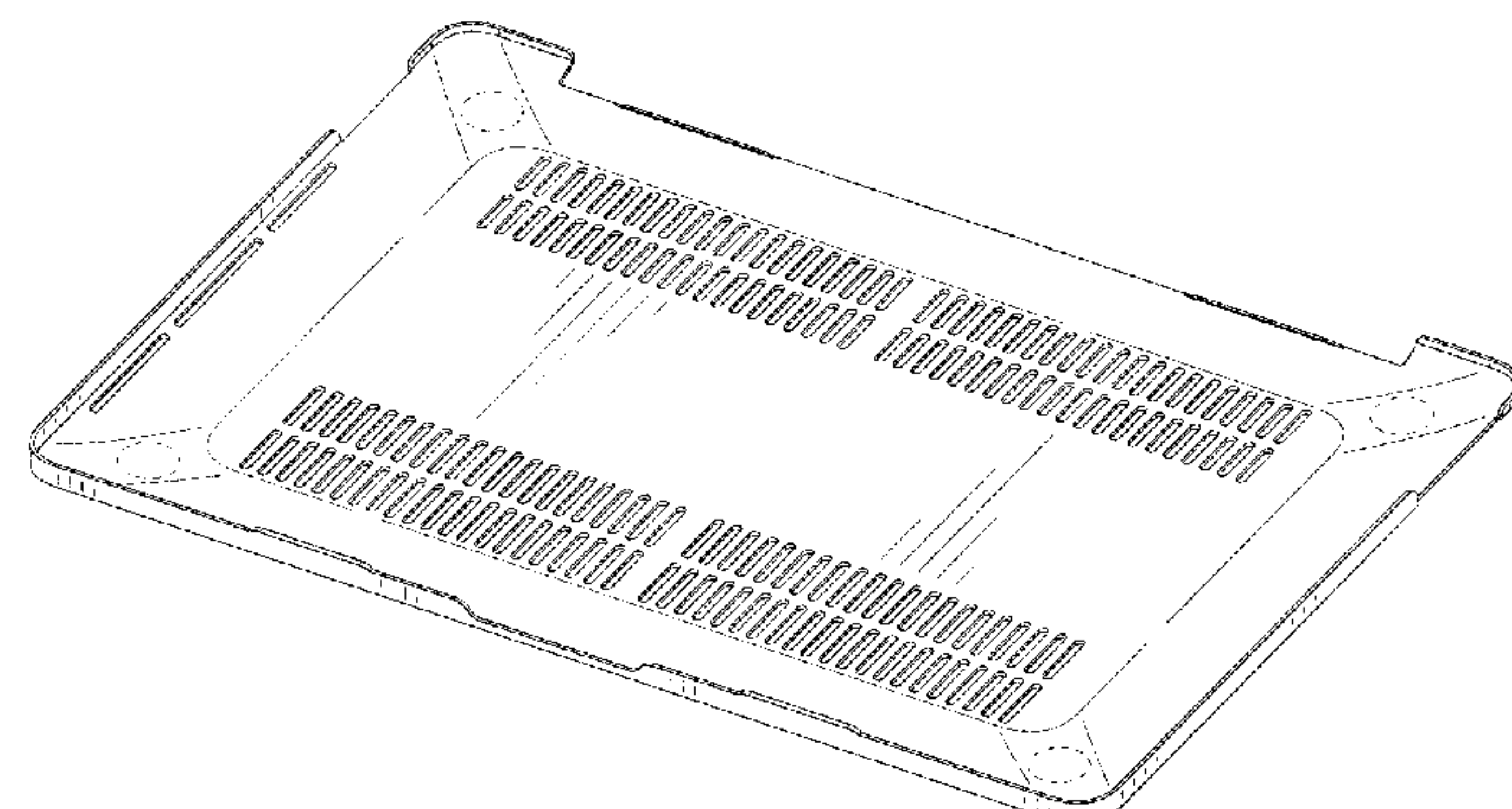
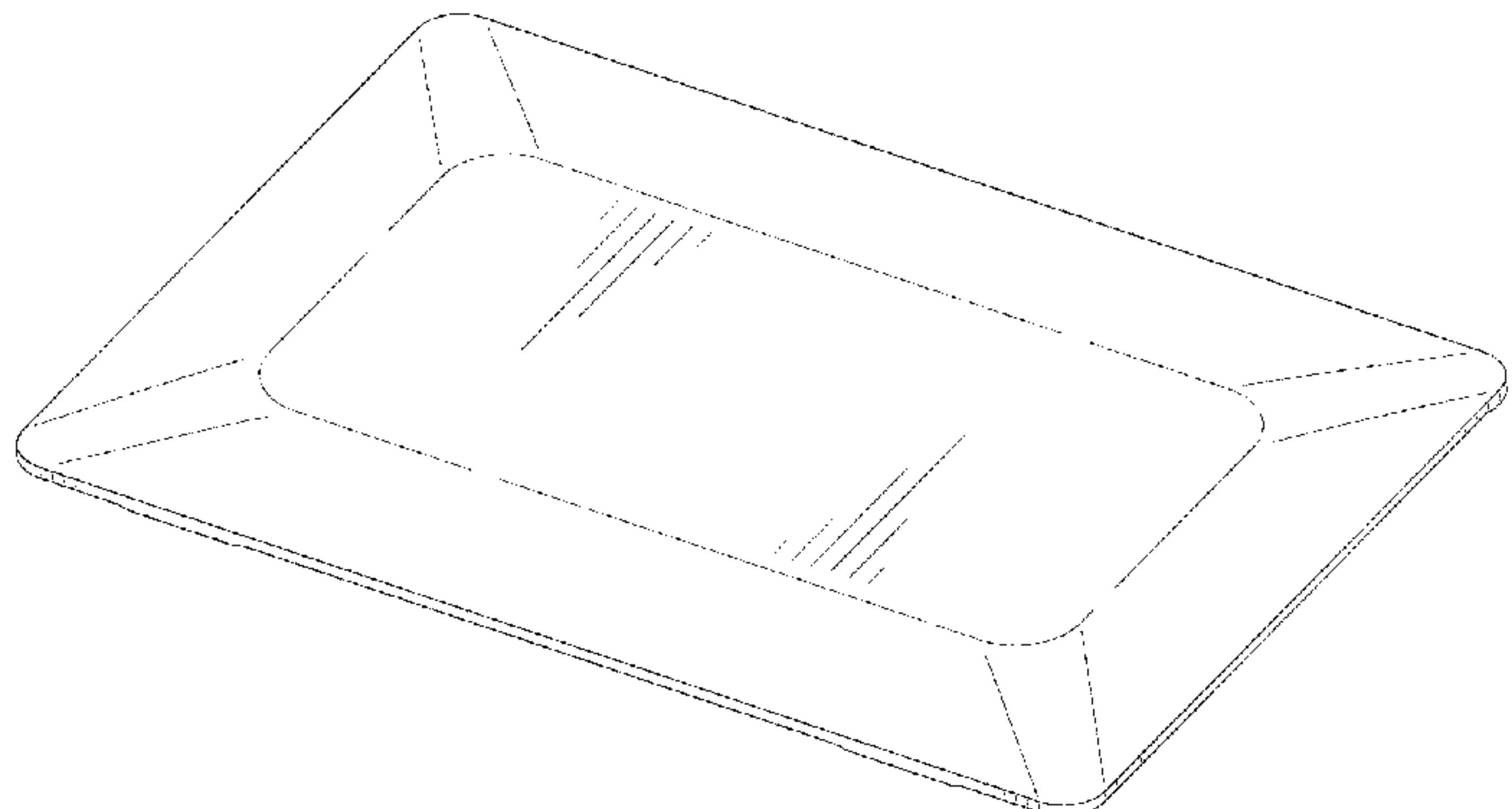
The ornamental design for a laptop case, as shown and described.

DESCRIPTION

FIG. 1 is a front, top and right side perspective view of a laptop case showing my new design;
FIG. 2 is a rear, bottom and left side perspective view thereof;
FIG. 3 is a front elevational view thereof;
FIG. 4 is a rear elevational view thereof;
FIG. 5 is a left side elevational view thereof;
FIG. 6 is a right side elevational view thereof;
FIG. 7 is a top plan view thereof;
FIG. 8 is a bottom plan view thereof; and,
FIG. 9 is an exploded front, top and right side perspective view thereof.
The broken lines in the drawings depict portions of the laptop case that form no part of the claimed design.

1 Claim, 9 Drawing Sheets

(56) **References Cited**
U.S. PATENT DOCUMENTS
D391,224 S * 2/1998 Schumacher D13/103
D681,622 S * 5/2013 Melanson D14/250
D683,340 S * 5/2013 Chang D14/250
D716,281 S * 10/2014 Melanson D14/250
D716,282 S * 10/2014 Melanson D14/250
D716,284 S * 10/2014 Melanson D14/250



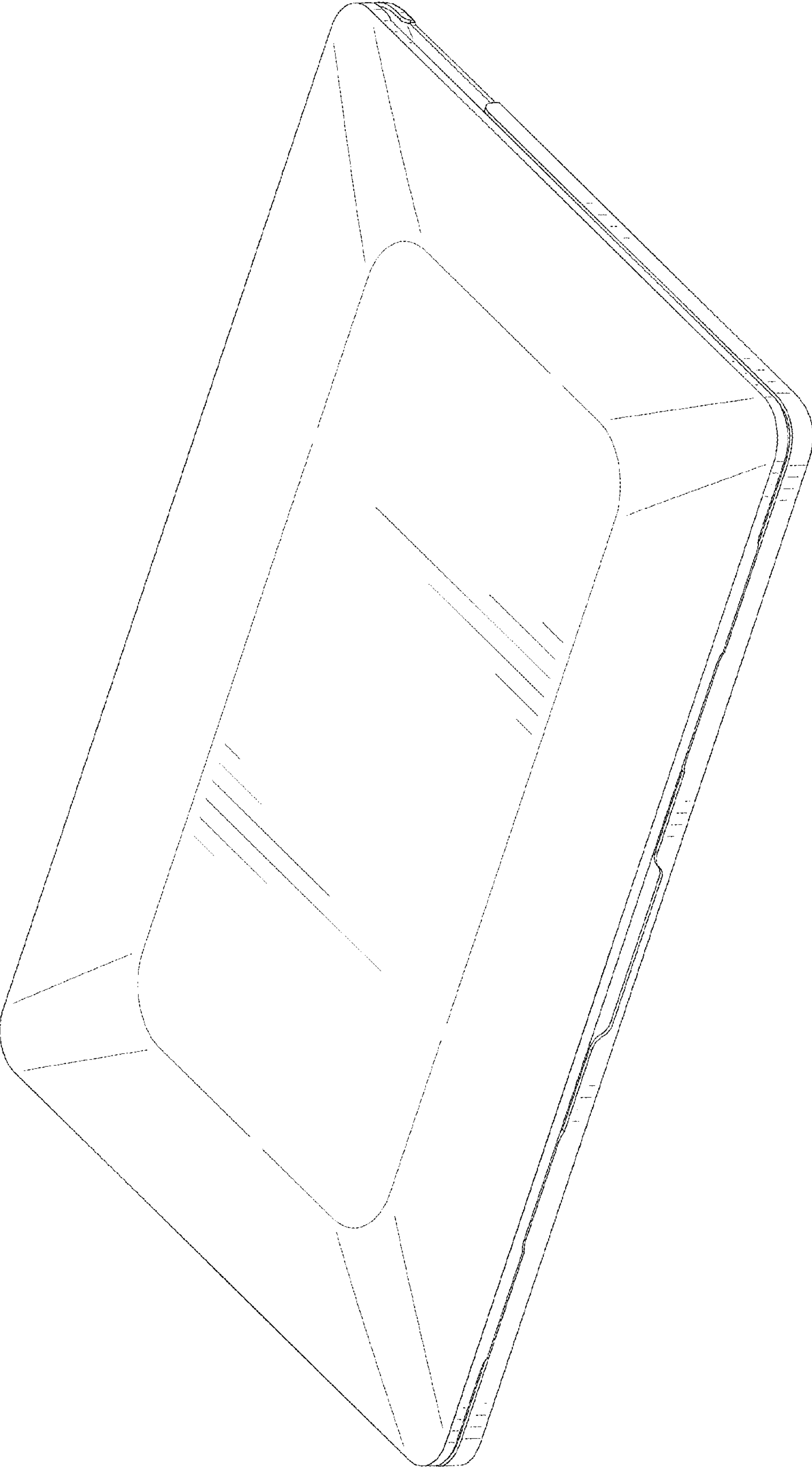


FIG. 1

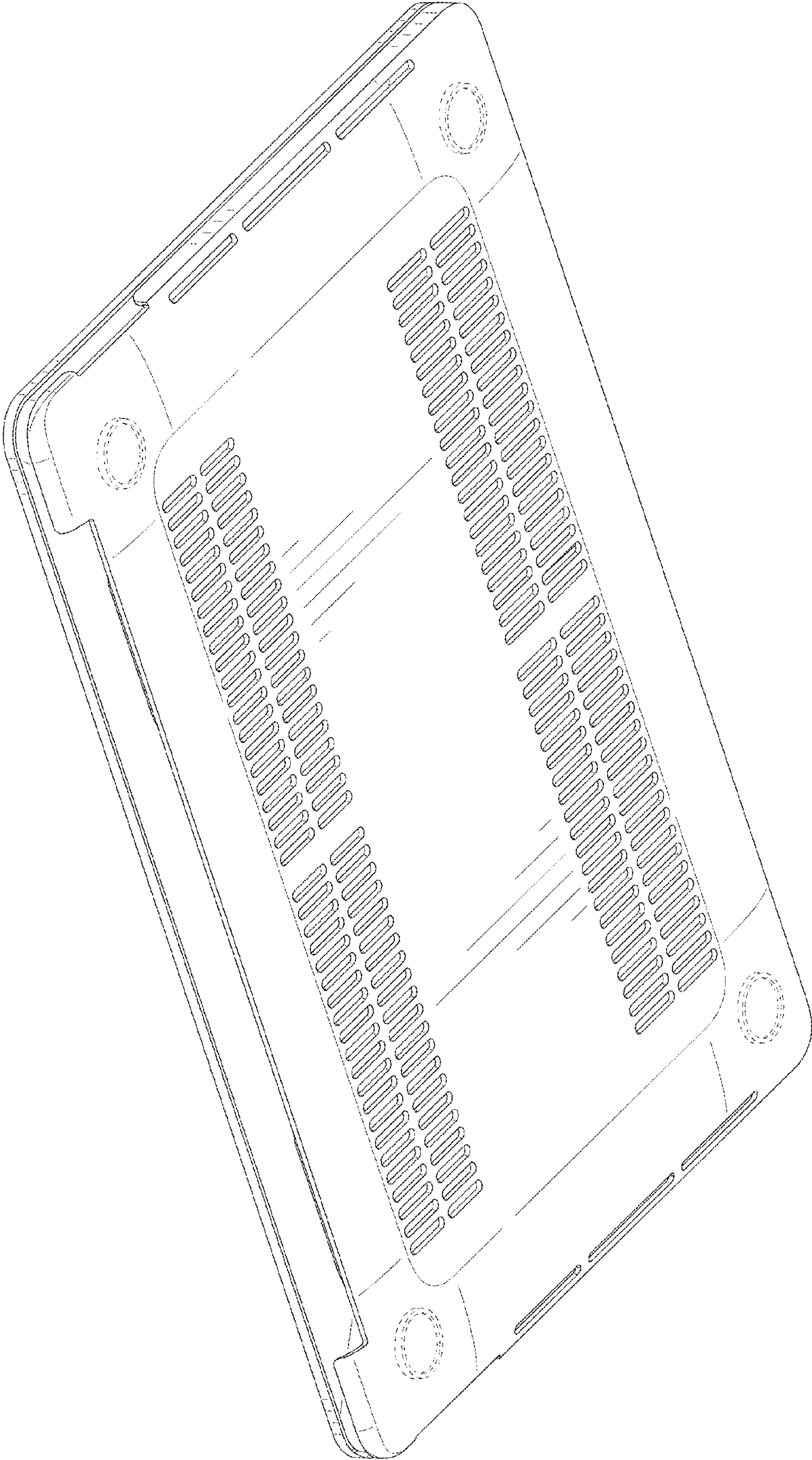


FIG. 2

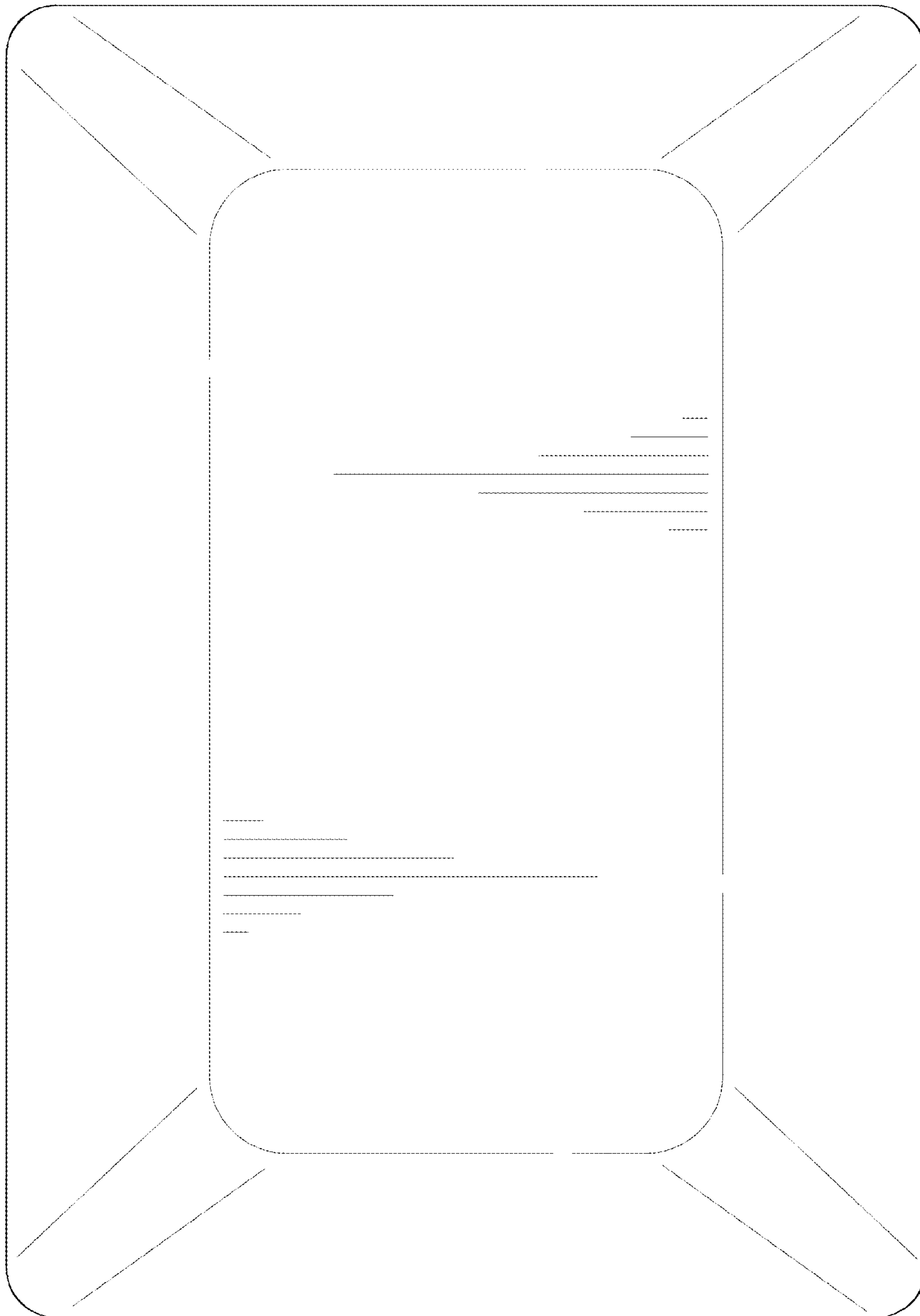


FIG. 3

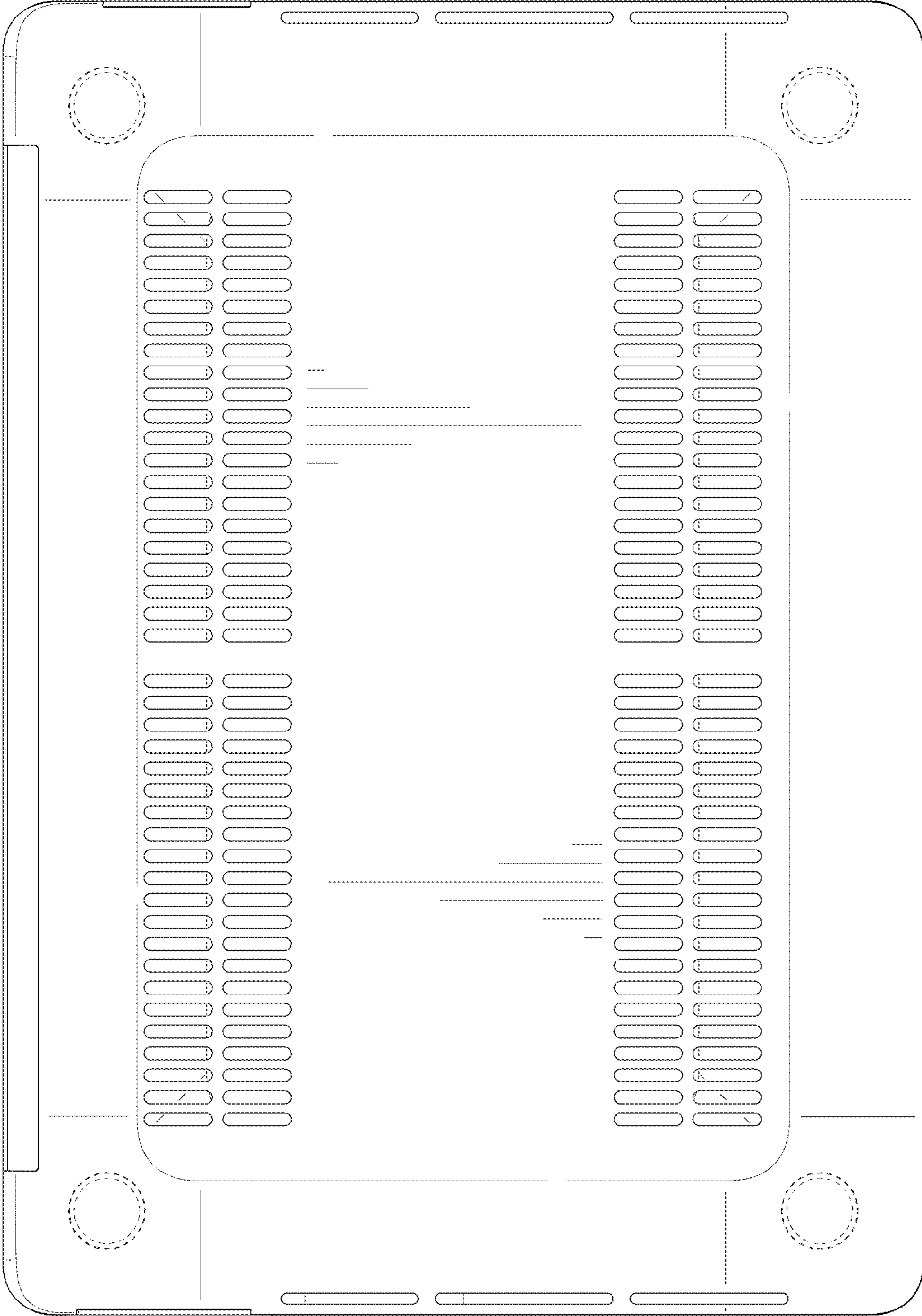


FIG. 4

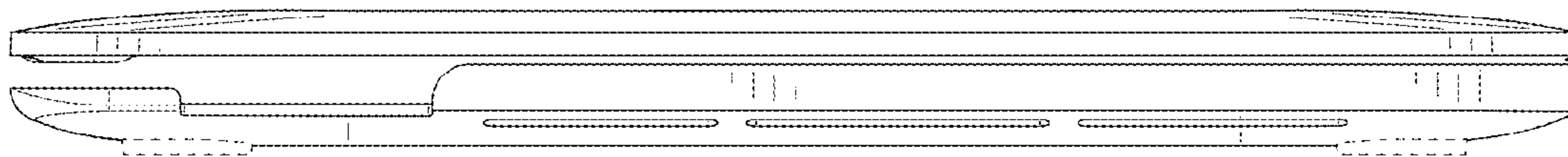


FIG. 5

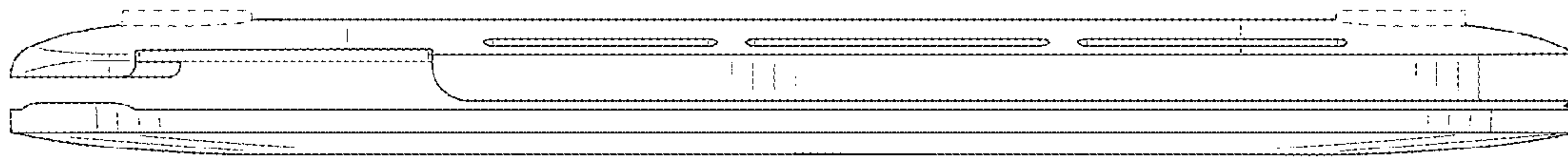


FIG. 6

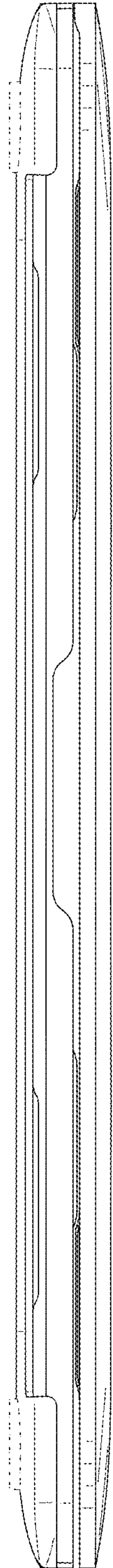


FIG. 7

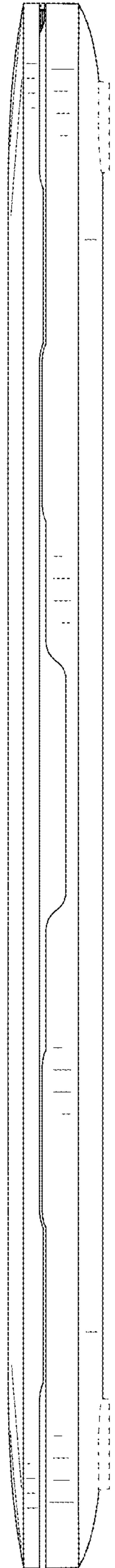


FIG. 8

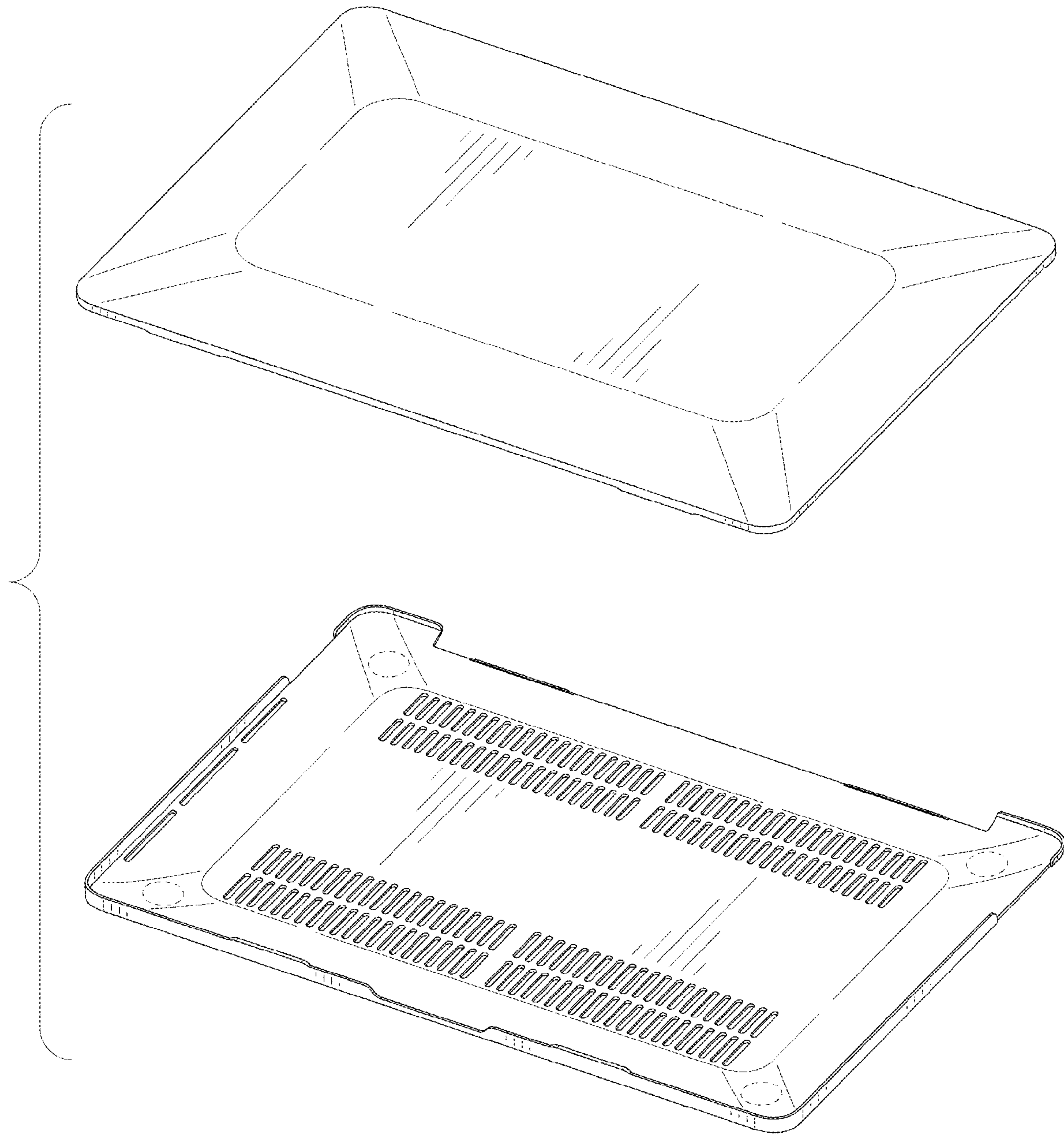


FIG. 9