

US00D966268S

(12) **United States Design Patent** (10) **Patent No.:** **US D966,268 S**  
**Kamiyama et al.** (45) **Date of Patent:** **\*\* Oct. 11, 2022**

(54) **CARTRIDGE FOR AN ELECTRONIC PEN**

(71) Applicant: **Wacom Co., Ltd.**, Kazo (JP)

(72) Inventors: **Ryoji Kamiyama**, Tokyo (JP);  
**Masamitsu Ito**, Toyko (JP); **Toshihiko Horie**, Toyko (JP)

(73) Assignee: **Wacom Co., Ltd.**, Kazo (JP)

(\*\*) Term: **15 Years**

(21) Appl. No.: **29/755,522**

(22) Filed: **Oct. 21, 2020**

(30) **Foreign Application Priority Data**

Apr. 21, 2020 (JP) ..... 2020-008220 D

(51) **LOC (13) Cl.** ..... **14-02**

(52) **U.S. Cl.**  
USPC ..... **D14/411**

(58) **Field of Classification Search**  
USPC ..... D14/372, 496, 432, 371, 125, 126, 129,  
D14/299, 411; D16/300-342; 351/158,  
351/153, 144; 345/7-9, 905; 455/344;  
348/115, 53, 121, 739  
CPC ..... G02B 27/017; G06F 3/016; G06F 3/033;  
G06F 3/0317; G06F 3/03545; G06F  
3/041; G06K 9/222  
See application file for complete search history.

(56) **References Cited**

**U.S. PATENT DOCUMENTS**

D444,171 S 6/2001 McCullough  
D450,767 S 11/2001 Itoh et al.  
10,503,281 B2\* 12/2019 Fujitsuka ..... G06F 3/0383  
D897,341 S \* 9/2020 Kamiyama ..... D14/411

10,768,720 B2\* 9/2020 Yamashita ..... G06F 3/03545  
D933,659 S \* 10/2021 Hashimoto ..... D14/411  
D933,661 S \* 10/2021 Hashimoto ..... D14/411  
D944,253 S \* 2/2022 Gettings ..... D14/411  
D945,420 S \* 3/2022 Hashimoto ..... D14/411  
2014/0306940 A1\* 10/2014 Fukushima ..... G06F 3/03545  
345/179

**FOREIGN PATENT DOCUMENTS**

EM 005809480-0001 S 1/2019  
EM 007770276-0002 S 4/2020  
EM 007770284-0002 S 4/2020  
JP D1383822 S 3/2010

\* cited by examiner

*Primary Examiner* — Austin Murphy

(74) *Attorney, Agent, or Firm* — Christensen O'Connor Johnson Kindness PLLC

(57) **CLAIM**

The ornamental design for a cartridge for an electronic pen, as shown and described.

**DESCRIPTION**

FIG. 1 is a front-bottom-right perspective view of a cartridge for an electronic pen according to an embodiment of our new design;

FIG. 2 is a rear-top-left perspective view thereof;

FIG. 3 is a front elevational view thereof;

FIG. 4 is a rear elevational view thereof;

FIG. 5 is a right side elevational view thereof;

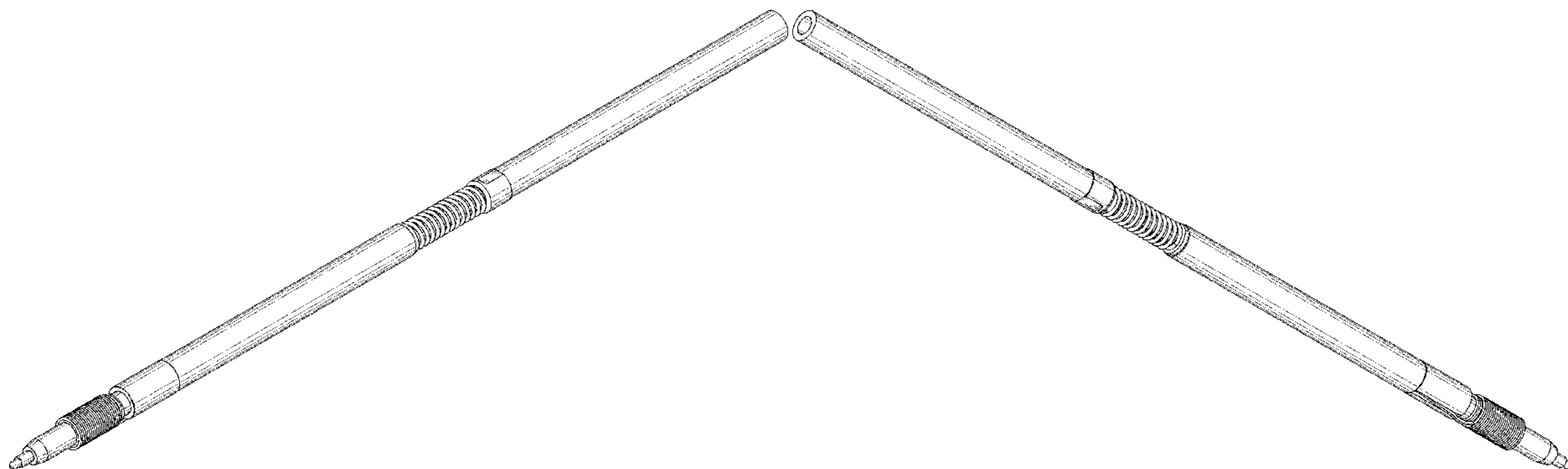
FIG. 6 is a left side elevational view thereof;

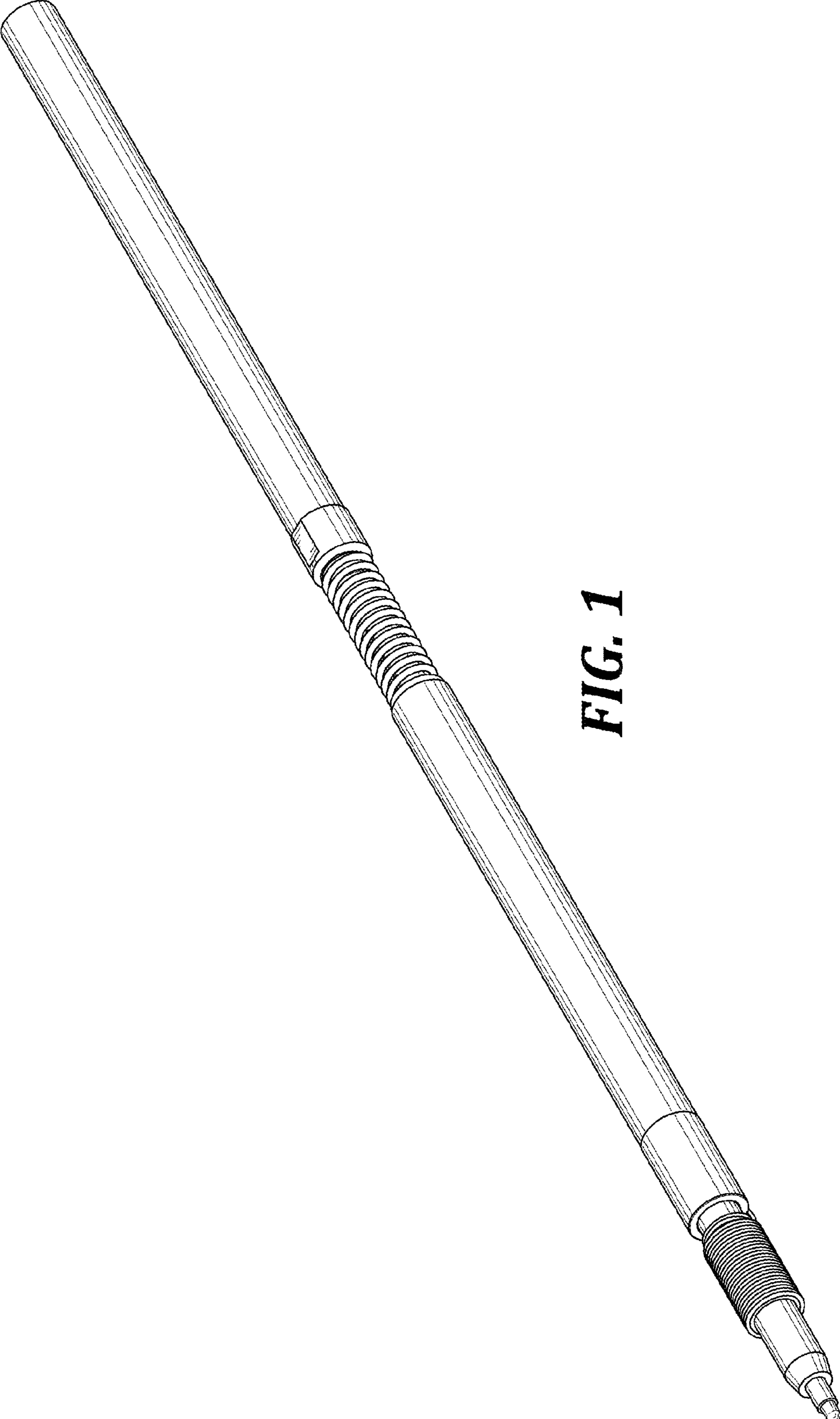
FIG. 7 is top plan view thereof; and,

FIG. 8 is a bottom plan view thereof.

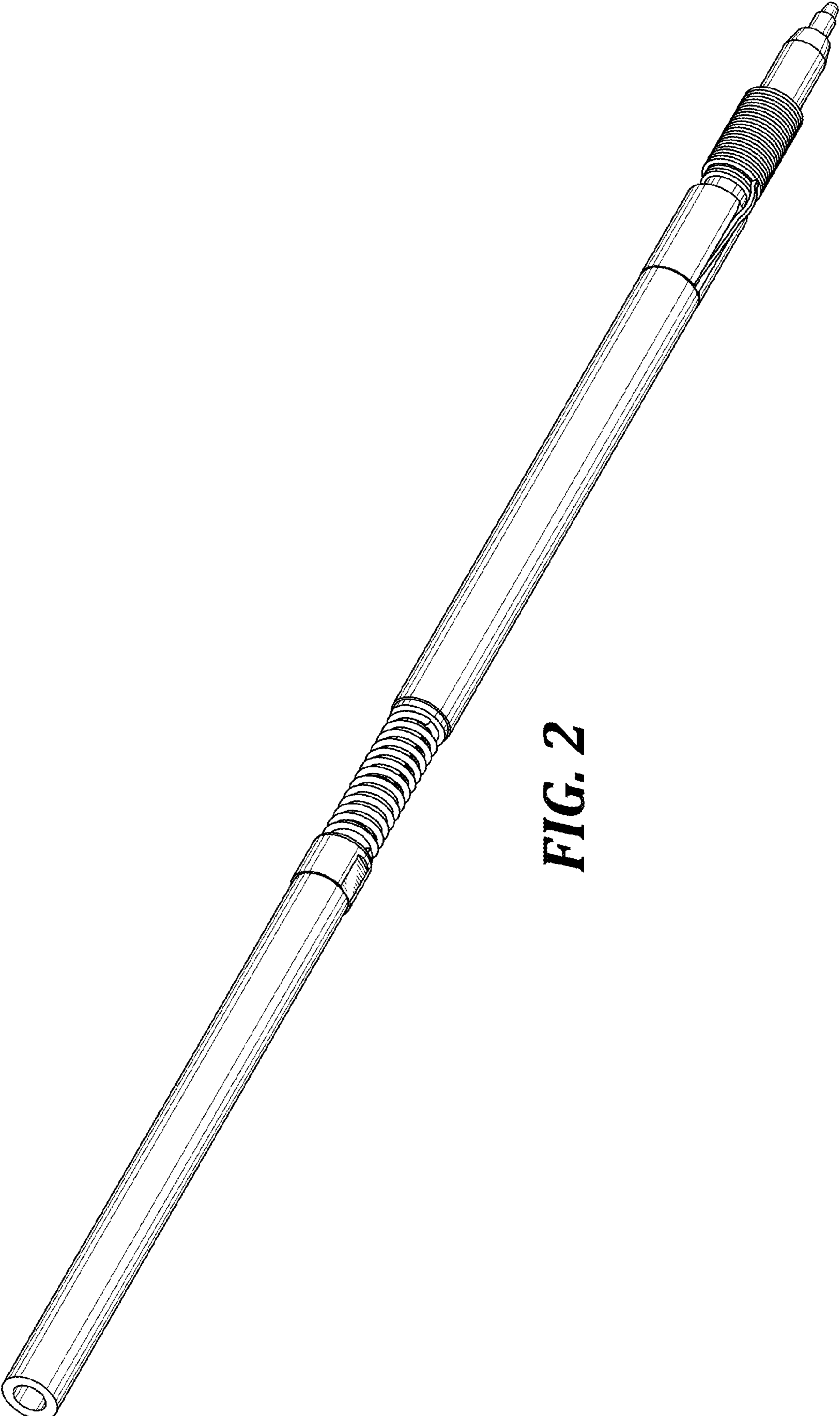
The broken lines in the figures depict portions of the cartridge for an electronic pen that form no part of the claimed design.

**1 Claim, 5 Drawing Sheets**

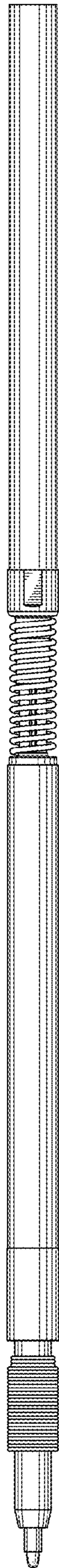




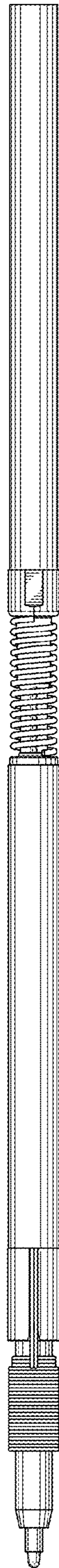
**FIG. 1**



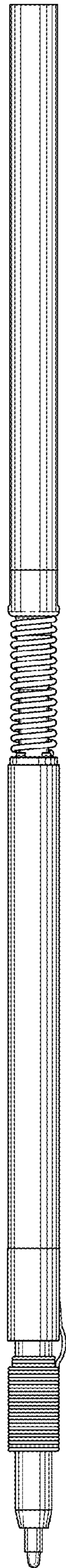
**FIG. 2**



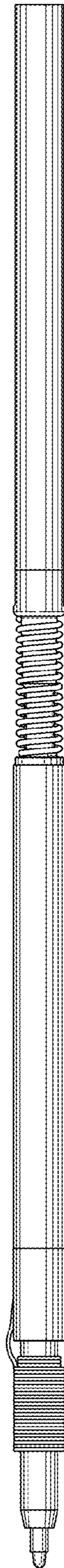
**FIG. 3**



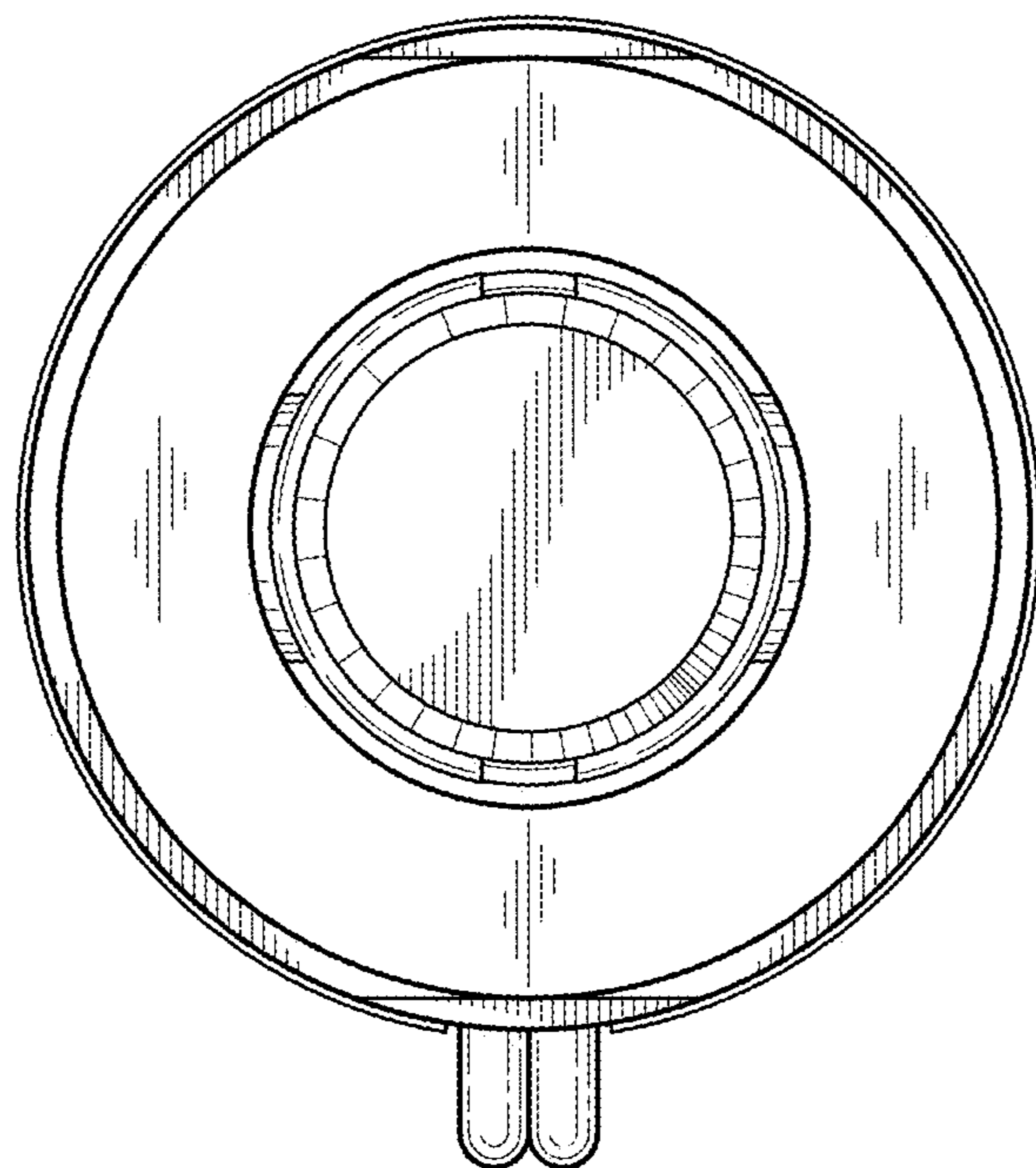
**FIG. 4**



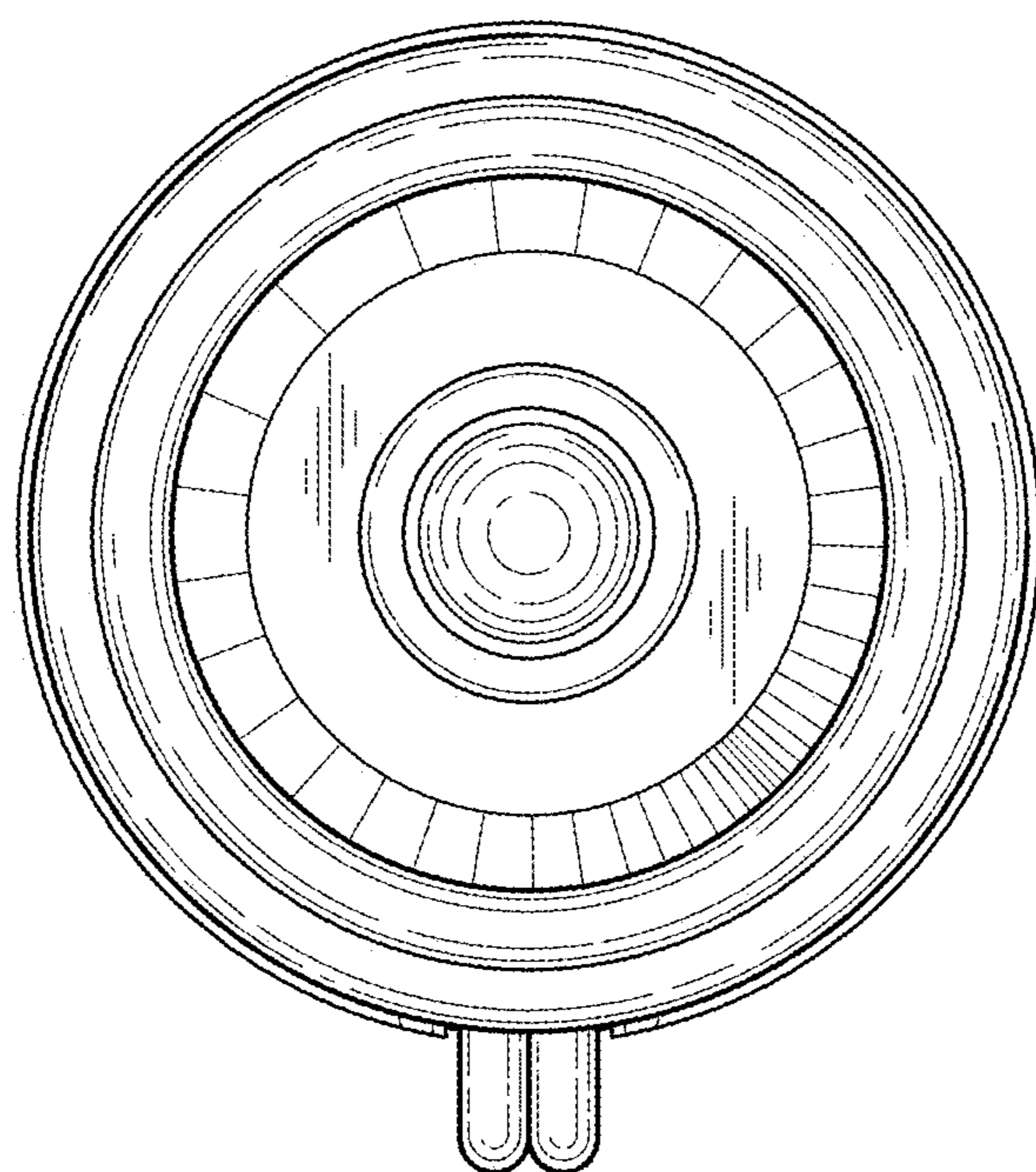
**FIG. 5**



**FIG. 6**



**FIG. 7**



**FIG. 8**