

US00D966267S

(12) **United States Design Patent**
Chatterjee et al.

(10) **Patent No.:** **US D966,267 S**

(45) **Date of Patent:** **** Oct. 11, 2022**

(54) **MOUSE**

(71) Applicant: **Microsoft Corporation**, Redmond, WA (US)

(72) Inventors: **Monique Chatterjee**, Seattle, WA (US);
Corrie Greening, Seattle, WA (US);
Richard T. Hanks, Arlington, MA (US)

(73) Assignee: **Microsoft Corporation**, Redmond, WA (US)

(**) Term: **15 Years**

(21) Appl. No.: **29/775,978**

(22) Filed: **Mar. 26, 2021**

(51) **LOC (13) Cl.** **14-03**

(52) **U.S. Cl.**
USPC **D14/408**; D14/402

(58) **Field of Classification Search**
USPC D14/402–411, 356, 388, 389, 383–385,
D14/417, 426; 345/156–167; 463/36–38;
358/471, 473; 273/148 B
CPC G06F 3/03543; G06F 2203/0333; G06F
3/039; G06F 3/038; G06F 2203/0384
See application file for complete search history.

(56) **References Cited**

U.S. PATENT DOCUMENTS

D411,189 S	6/1999	Liao et al.	
D460,071 S	7/2002	Sheehan et al.	
D513,259 S	12/2005	Chen	
D560,661 S	1/2008	Chatterjee et al.	
D560,662 S	1/2008	Chatterjee et al.	
D560,663 S	1/2008	Chatterjee	
D560,664 S	1/2008	Chatterjee	
D564,515 S	3/2008	Chatterjee et al.	
D574,828 S	8/2008	Chatterjee et al.	
D581,417 S	11/2008	Huang	
D590,398 S *	4/2009	Kim	D14/402

D591,298 S	4/2009	Huang	
D591,299 S	4/2009	Chen et al.	
D591,748 S *	5/2009	Hu	D14/402
D598,021 S	8/2009	Kujawski et al.	
D598,022 S	8/2009	Kujawski et al.	
D607,454 S *	1/2010	Reed	D14/408
D607,455 S *	1/2010	Reed	D14/408
D607,456 S *	1/2010	Reed	D14/408
D616,444 S *	5/2010	Lacotta	D14/402
D617,324 S	6/2010	Fang et al.	
D622,725 S *	8/2010	Reed	D14/408
D638,837 S *	5/2011	Tzeng	D14/402
D651,604 S	1/2012	Fischer	
D656,499 S	3/2012	Lee	

(Continued)

OTHER PUBLICATIONS

“Xbox Wireless Controller—Night Ops Camo Special Edition”, posted Oct. 8, 2019[online], [retrieved Mar. 26, 2021]. Retrieved from Internet, <https://www.xbox.com/en-US/accessories/controllers/night-ops-camo-special-edition>.

Primary Examiner — Austin Murphy
(74) *Attorney, Agent, or Firm* — Banner & Witcoff, Ltd.

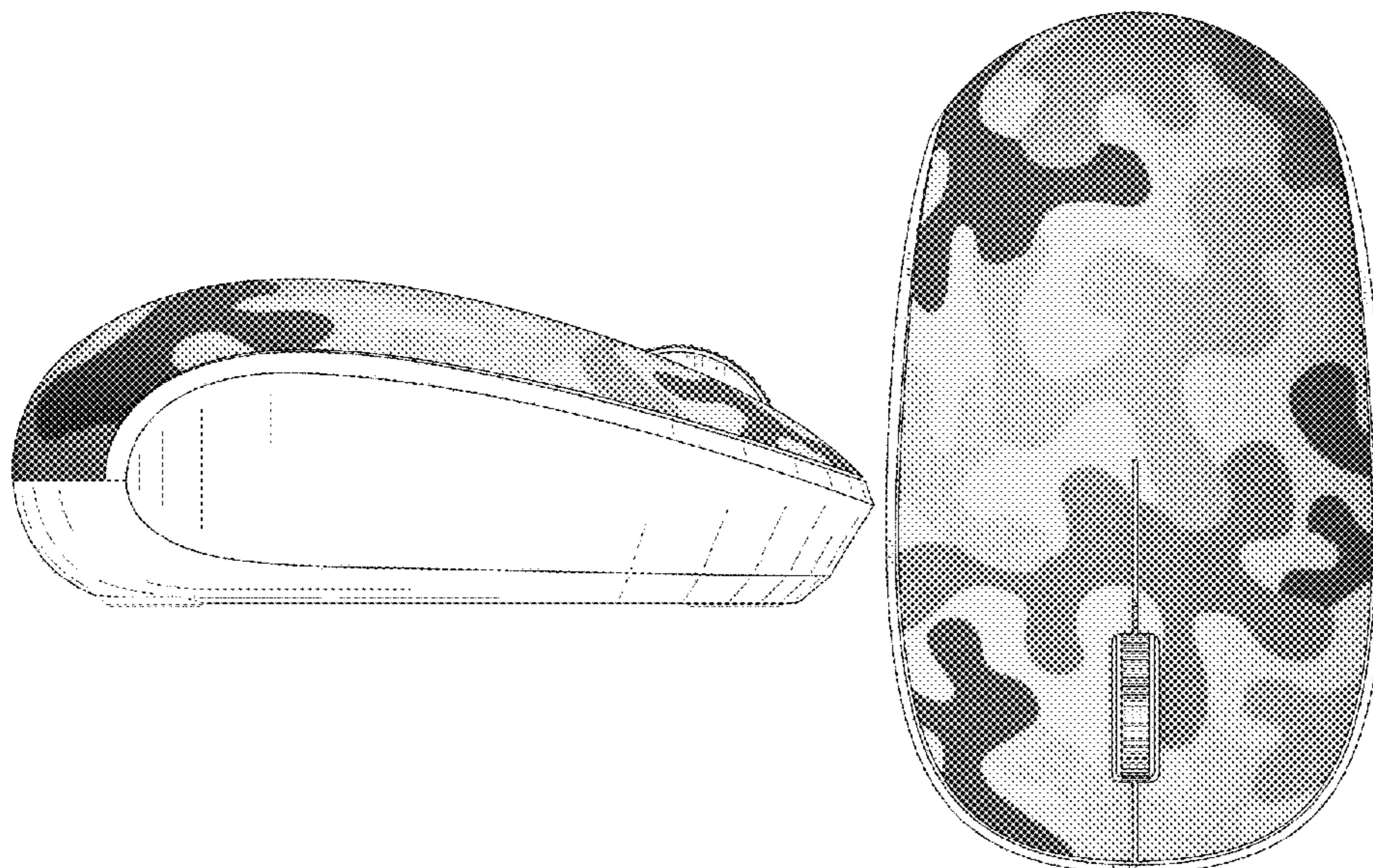
(57) **CLAIM**

The ornamental design for a mouse, as shown and described.

DESCRIPTION

FIG. 1 is a front perspective view of a mouse showing our new design;
FIG. 2 is a front view thereof;
FIG. 3 is a rear view thereof;
FIG. 4 is a right side view thereof;
FIG. 5 is a left side view thereof;
FIG. 6 is a top view thereof; and,
FIG. 7 is a bottom view thereof.
The broken lines depicting the remainder of the mouse shows features that form no part of the claimed design.

1 Claim, 6 Drawing Sheets



(56)

References Cited

U.S. PATENT DOCUMENTS

D657,359 S * 4/2012 Kujawski D14/402
D657,360 S 4/2012 Kujawski et al.
D666,199 S 8/2012 Kujawski et al.
D689,494 S 9/2013 Widiaman et al.
D725,111 S 3/2015 Jeong et al.
D738,884 S 9/2015 Zheng et al.
D749,076 S 2/2016 Helwig et al.
D793,393 S * 8/2017 Jeong D14/402
D807,359 S 1/2018 Jeong et al.
D821,399 S 6/2018 Jones et al.
D821,400 S 6/2018 Pang et al.
D834,022 S 11/2018 Gleeson et al.
D853,386 S 7/2019 Kujawski et al.
D853,387 S 7/2019 Kujawski et al.
D853,388 S 7/2019 Loughnane et al.
D855,614 S 8/2019 DiLoreto et al.
D868,065 S 11/2019 Xu
D882,575 S 4/2020 Jinkinson et al.
D890,179 S 7/2020 Xu
D892,799 S 8/2020 Jinkinson et al.
D908,700 S * 1/2021 Chan D14/402
2009/0140983 A1 * 6/2009 Chatterjee G06F 3/03543
345/163

* cited by examiner

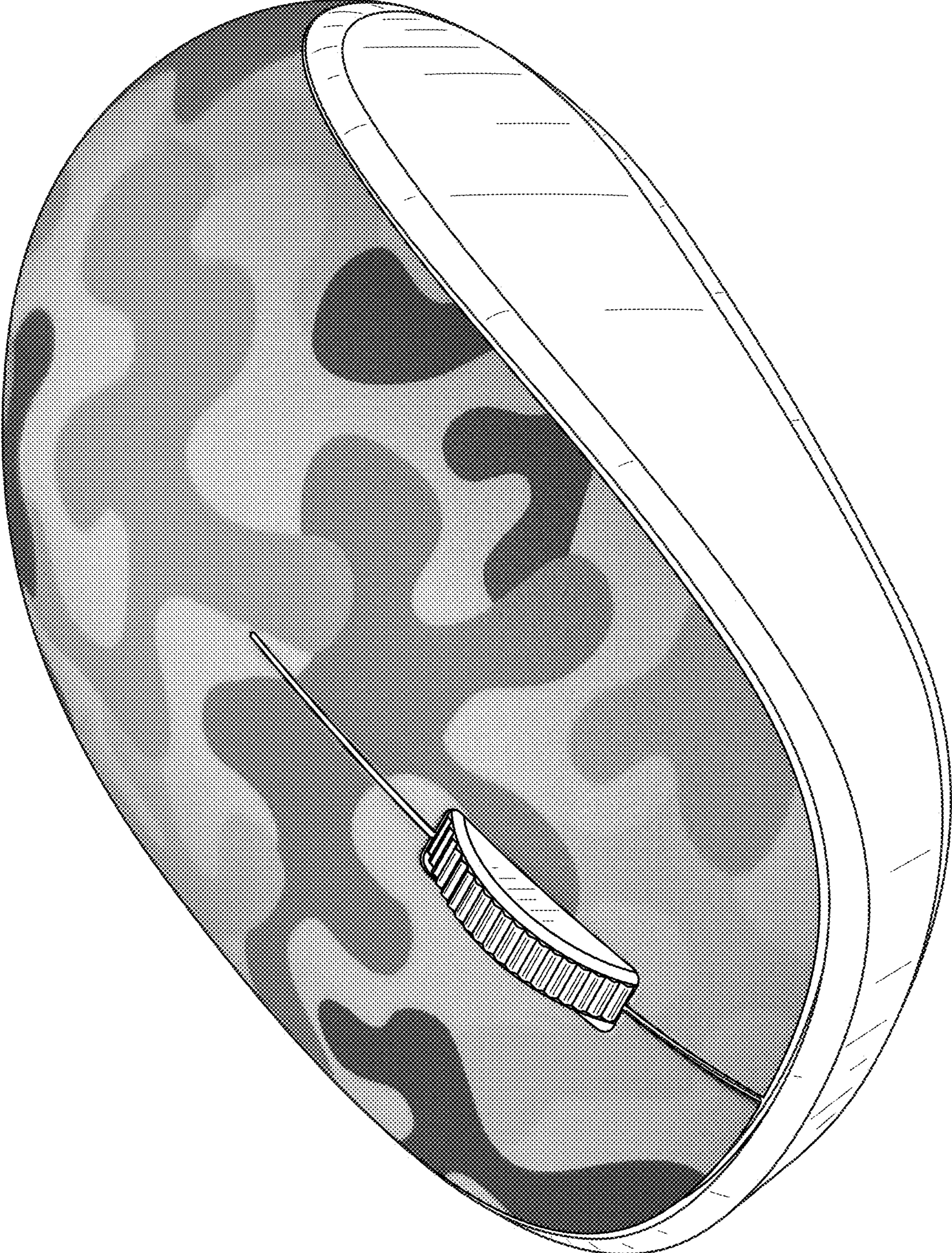


FIG. 1

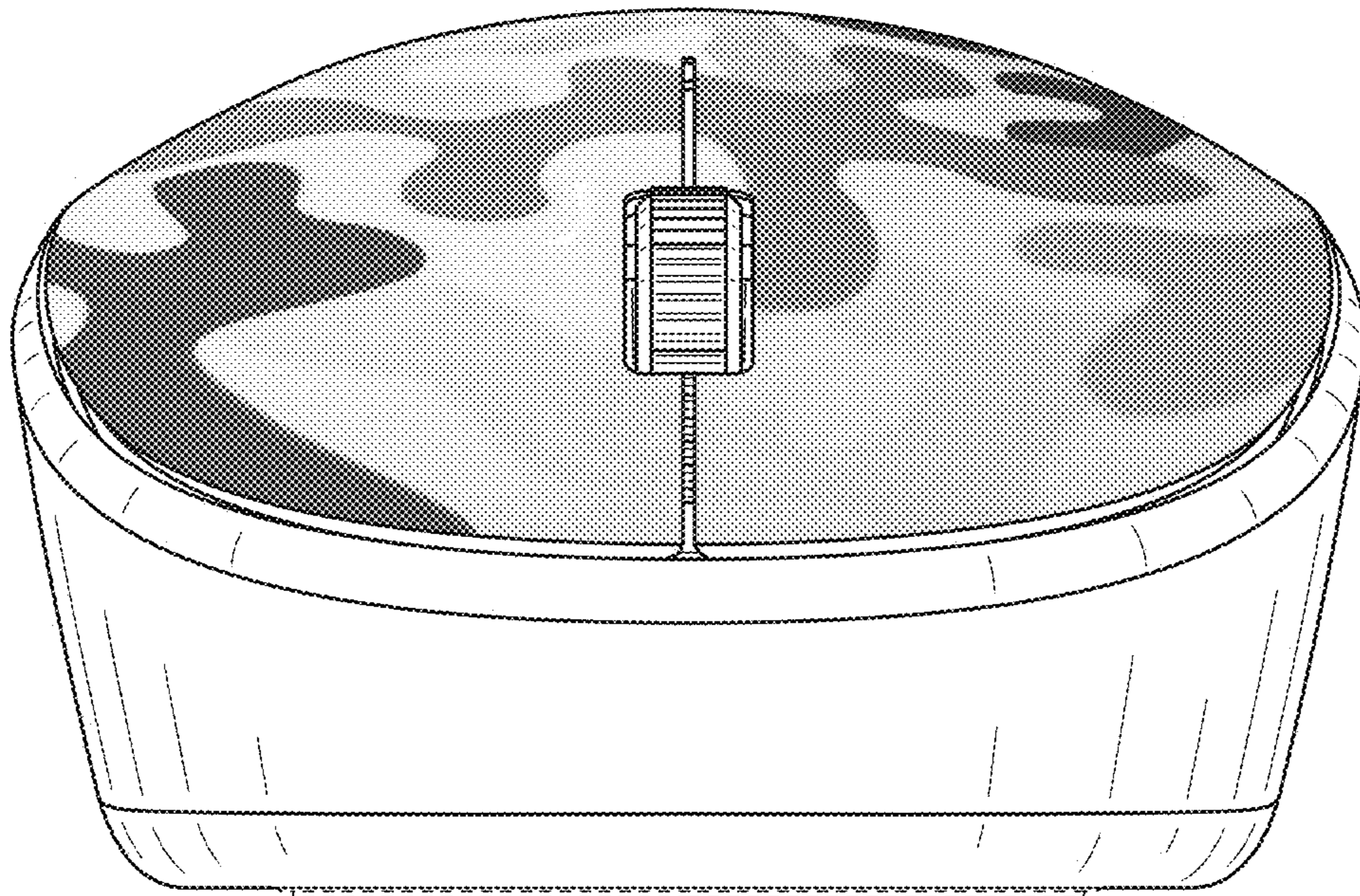


FIG. 2

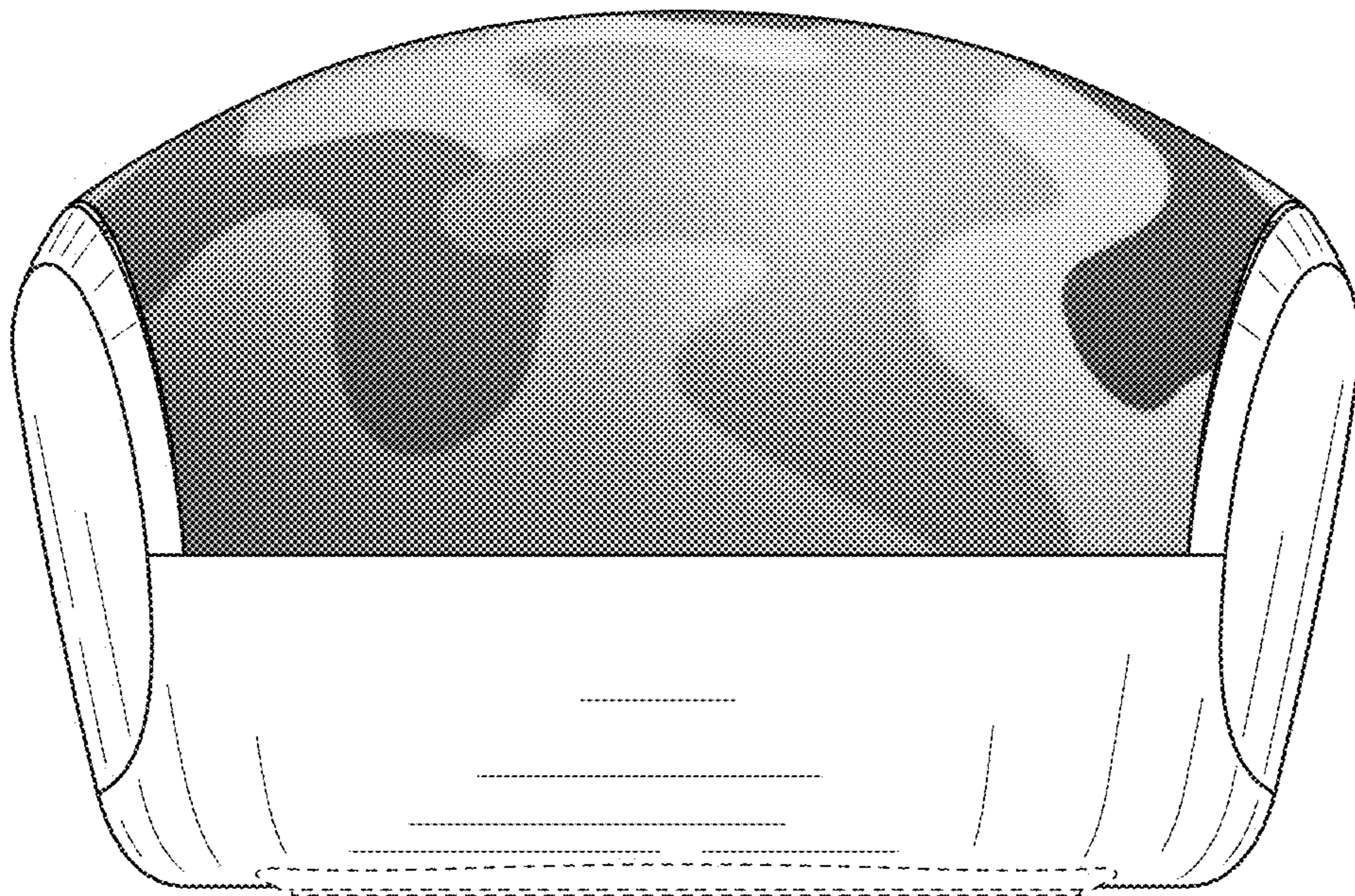


FIG. 3

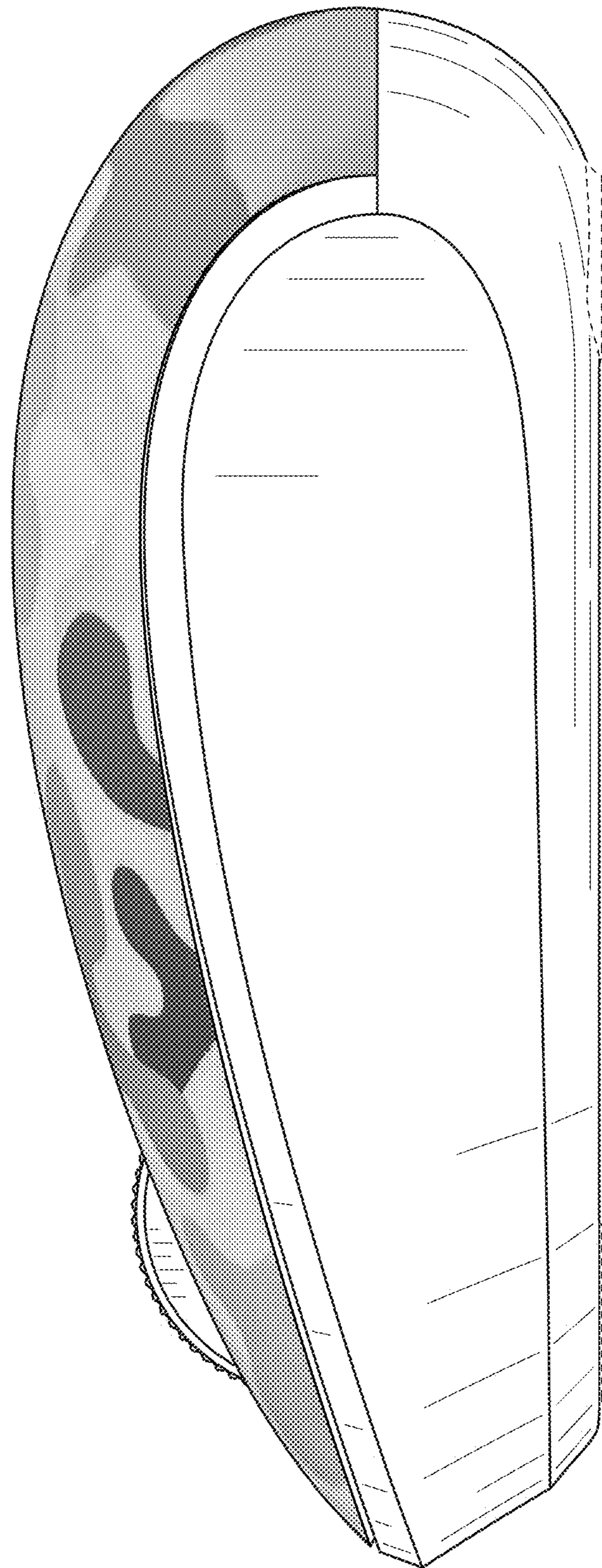


FIG. 4

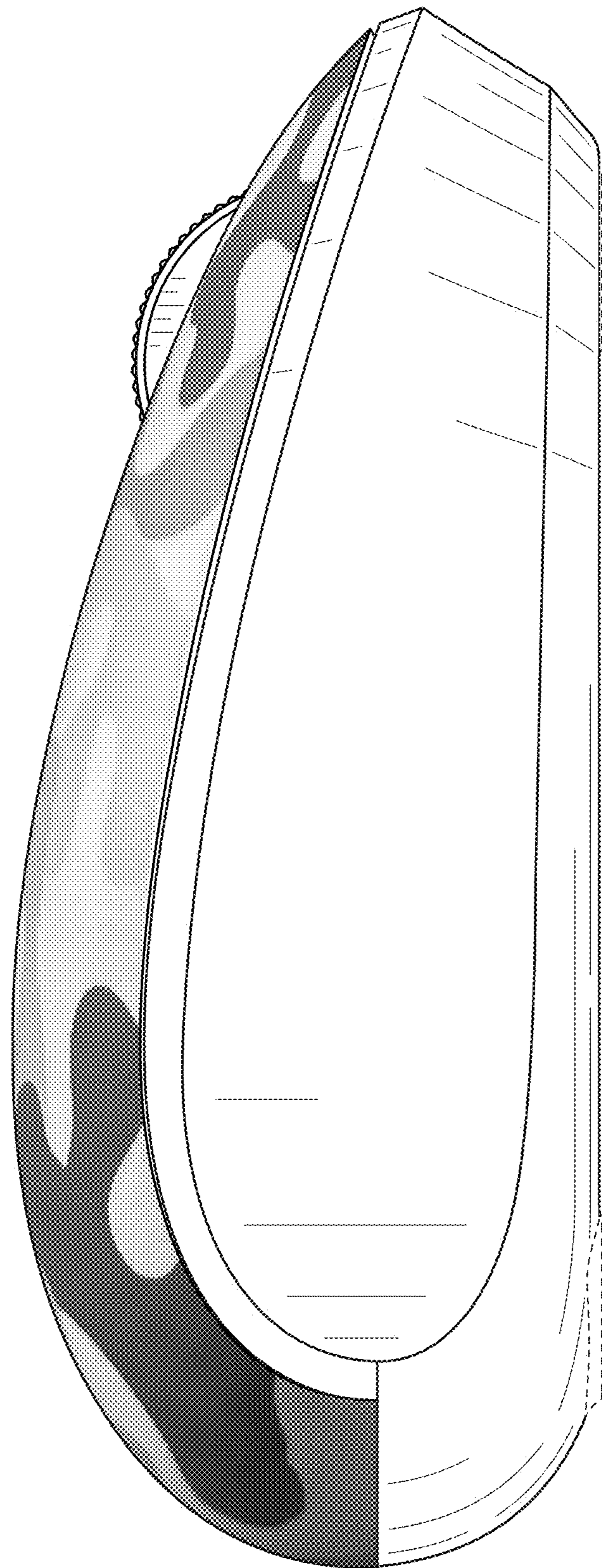


FIG. 5

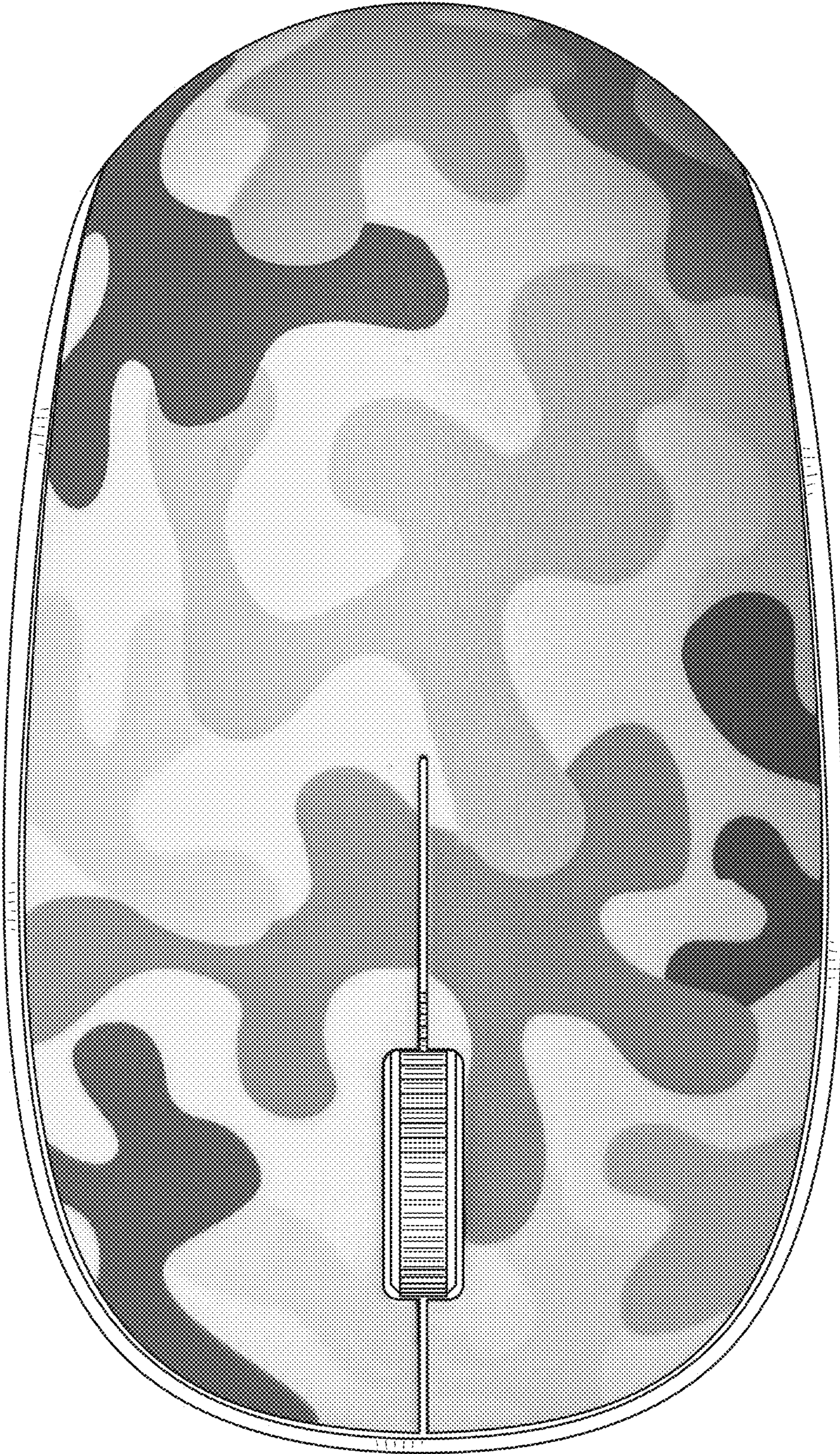


FIG. 6

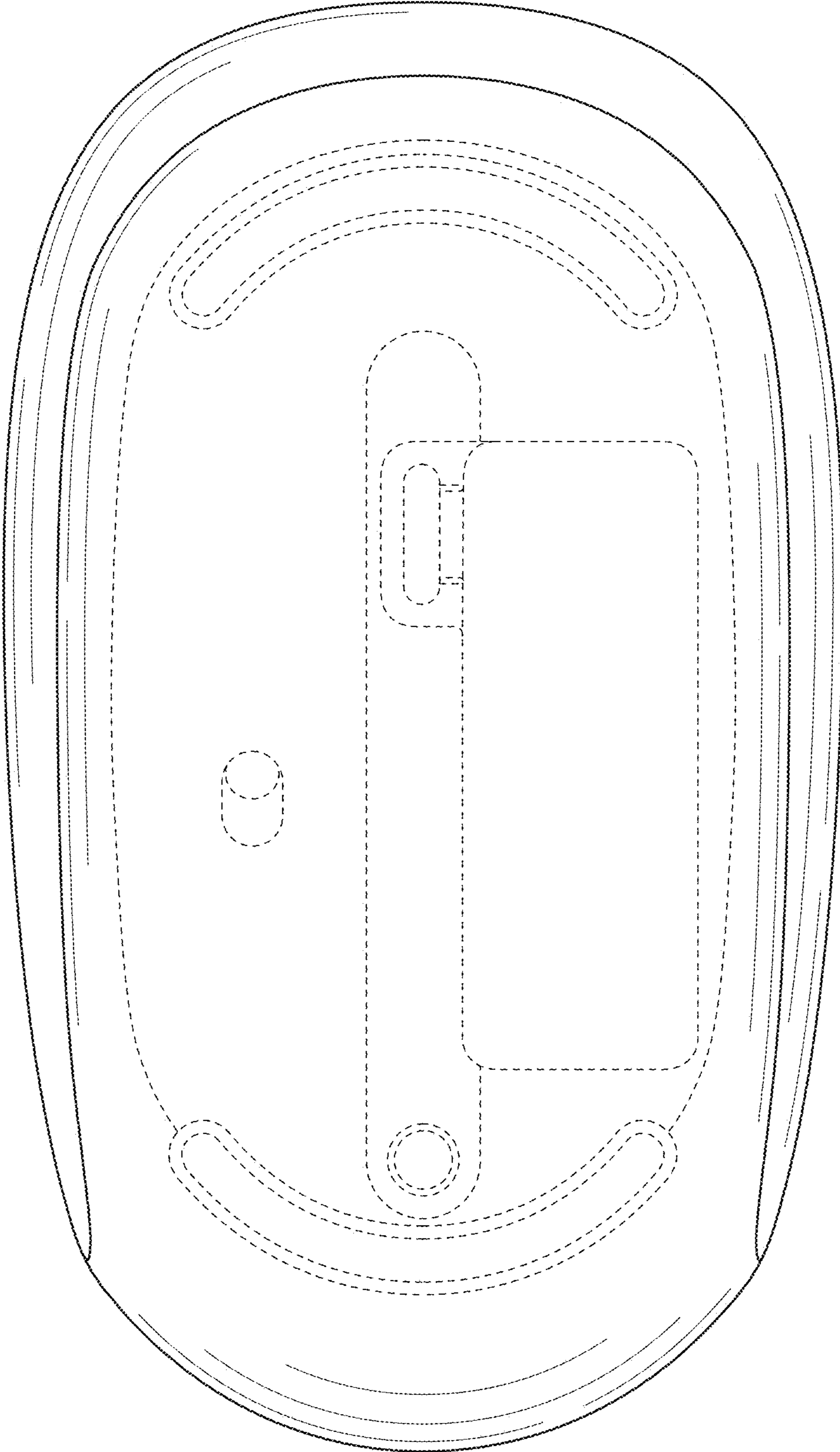


FIG. 7