



US00D966265S

(12) **United States Design Patent**
Zhou

(10) **Patent No.:** **US D966,265 S**
(45) **Date of Patent:** **** Oct. 11, 2022**

(54) **PORTABLE MONITOR**

(71) Applicant: **Shenzhen Chaoshangyou Lepao Technology Co., Ltd.**, Guangdong (CN)

(72) Inventor: **Chaoran Zhou**, Guangdong (CN)

(73) Assignee: **SHENZHEN CHAOSHANGYOU LEPAO TECHNOLOGY CO., LTD.**, Shenzhen (CN)

(**) Term: **15 Years**

(21) Appl. No.: **29/766,376**

(22) Filed: **Jan. 14, 2021**

(30) **Foreign Application Priority Data**

Dec. 23, 2020 (CN) 202030795044.4

(51) **LOC (13) Cl.** **14-02**

(52) **U.S. Cl.**
USPC **D14/371**

(58) **Field of Classification Search**

USPC D14/126, 305, 307, 314, 335-336, 340, D14/371-372, 374-379, 381-382, 448; D21/324, 329, 332; D24/186; D13/162; D18/4.5; D6/300, 308, 310-312
CPC G06F 1/16; G06F 1/1601; G06F 21/84
See application file for complete search history.

(56) **References Cited**

U.S. PATENT DOCUMENTS

D258,479 S * 3/1981 Mills D6/310
D302,767 S * 8/1989 Morrozzi D6/310
D596,596 S * 7/2009 Honda D14/126
D644,642 S * 9/2011 Chou D14/374
D645,044 S * 9/2011 Chang D14/375
D712,366 S * 9/2014 Kim D14/126
D712,367 S * 9/2014 Park D14/126
D725,121 S * 3/2015 Kim D14/451

D727,865 S * 4/2015 Moon D14/126
D734,284 S * 7/2015 Dai D14/126
D738,334 S * 9/2015 Shin D14/126

(Continued)

FOREIGN PATENT DOCUMENTS

GB 6120666 * 12/2020

OTHER PUBLICATIONS

M155 Full HD 1080P Portable Gaming Monitor, GAEMS, nerdtechy.com, published by TechGuru on Nov. 4, 2018 © 2022 Nerd Techy, online, site visited Mar. 23, 2022. Available at URL: <https://nerdtechy.com/gaems-m155-1080p-review> (Year: 2018).*

Primary Examiner — Holly E Thurman
Assistant Examiner — Altaira J Swangin

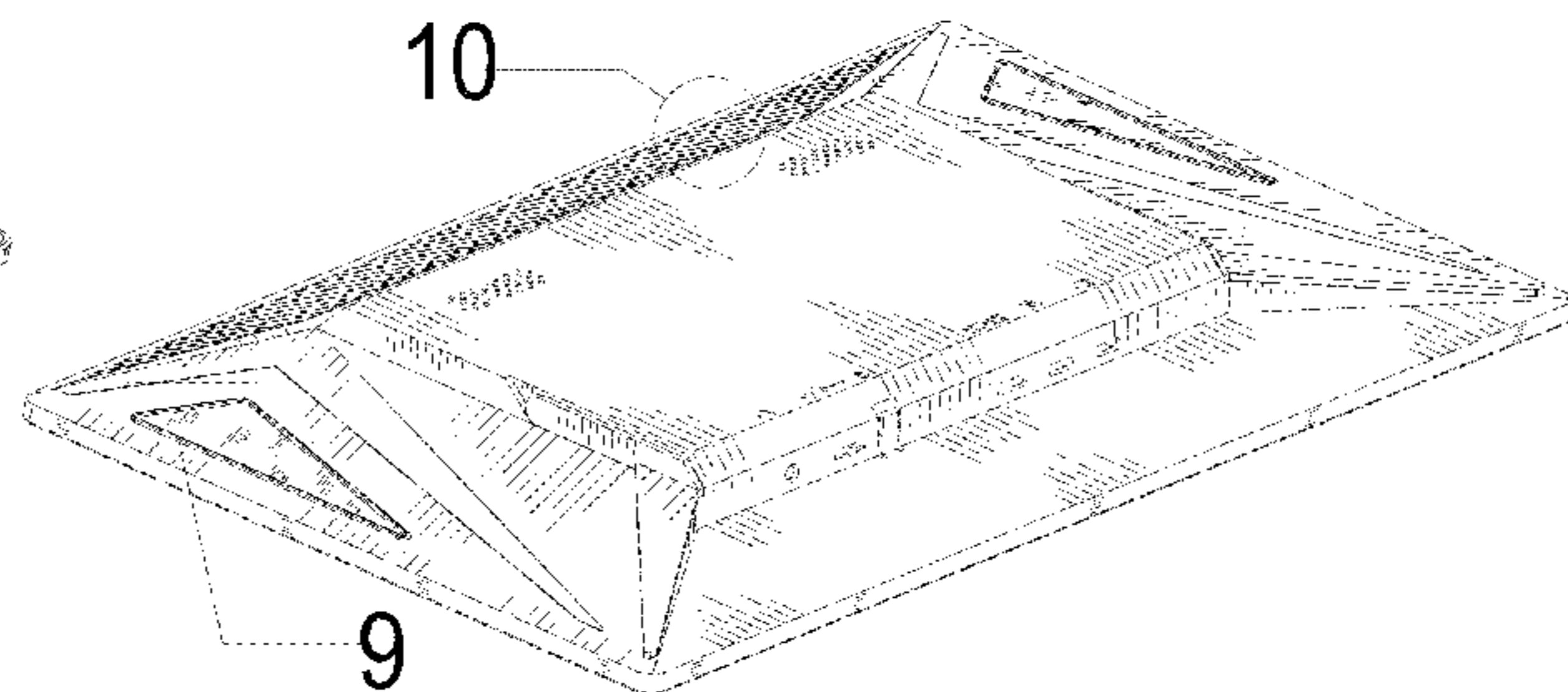
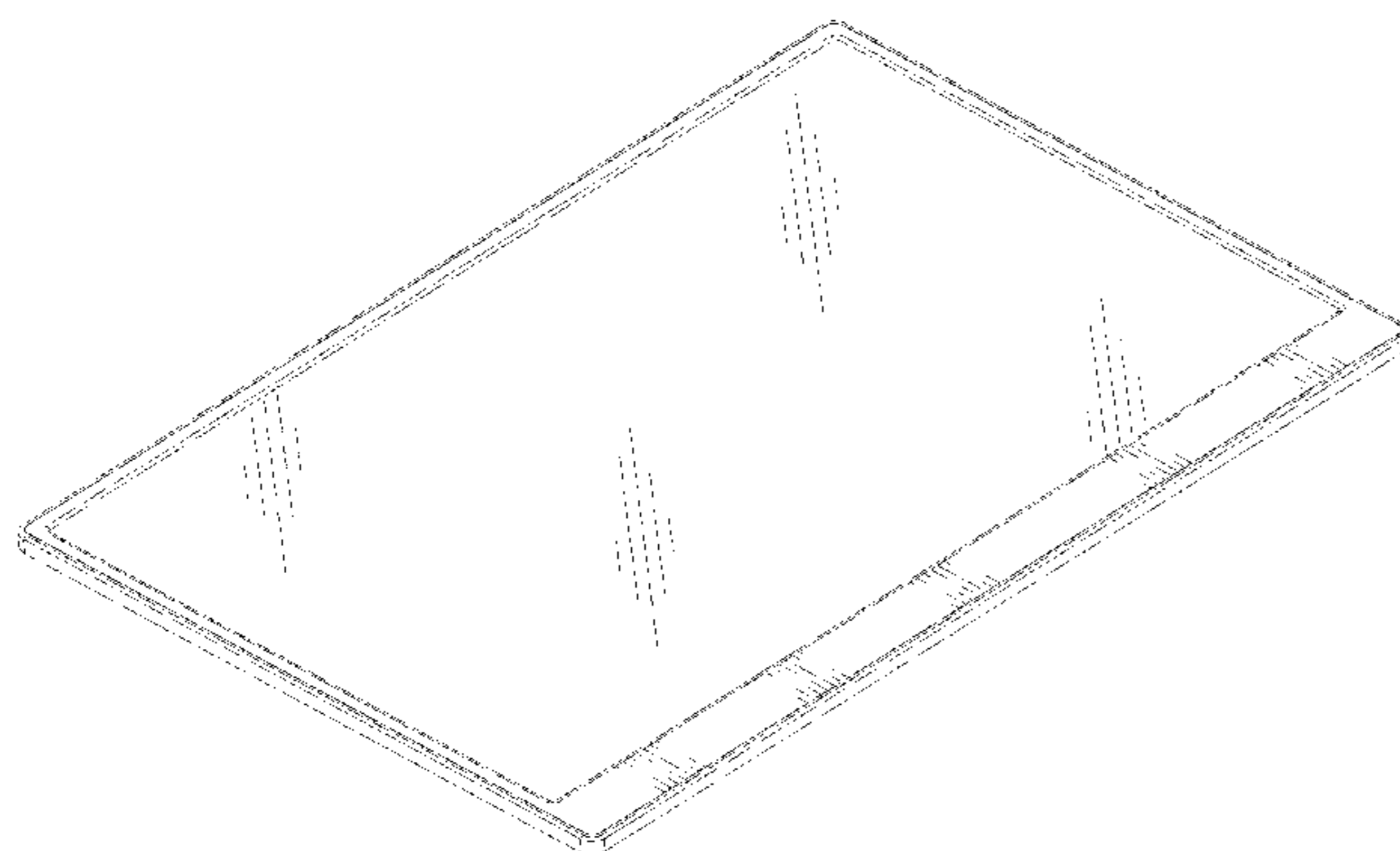
(57) **CLAIM**

The ornamental design for a portable monitor, as shown and described.

DESCRIPTION

FIG. 1 is a bottom, front and left side perspective view of a portable monitor showing my new design; FIG. 2 is a bottom, rear and right side perspective view thereof; FIG. 3 is a front elevational view thereof; FIG. 4 is a rear elevational view thereof; FIG. 5 is a left side view thereof; FIG. 6 is a right side view thereof; FIG. 7 is a top plan view thereof; FIG. 8 is a bottom plan view thereof; FIG. 9 is an enlarged view of portion 9 in FIG. 2; and, FIG. 10 is an enlarged view of portion 10 in FIG. 2. The broken lines in the drawings illustrate portions of the portable monitor which form no part of the claimed design. The diagonal lines in the drawings represent reflective surfaces. The dot-dash broken lines in the drawings depict boundaries of the enlarged portions and form no part of the claimed design.

1 Claim, 10 Drawing Sheets



(56)

References Cited

U.S. PATENT DOCUMENTS

D738,335	S	*	9/2015	Shin	D14/126
D752,535	S	*	3/2016	Kim	D14/126
D753,078	S	*	4/2016	Kim	D14/126
D776,655	S	*	1/2017	Chen	D14/240
D776,736	S	*	1/2017	Aquino	D16/135
D825,554	S	*	8/2018	Nagai	D14/315
D826,878	S	*	8/2018	Kim	D14/126
D836,587	S	*	12/2018	Cha	D14/126
D836,588	S	*	12/2018	Cha	D14/126
D837,224	S	*	1/2019	Kim	D14/451
D845,263	S	*	4/2019	Kim	D14/126
D848,386	S	*	5/2019	Kuwao	D14/126
D848,968	S	*	5/2019	Kim	D14/126
D849,741	S	*	5/2019	Wei	D14/336
D854,012	S	*	7/2019	Oakley	D14/374
D867,371	S	*	11/2019	Chen	D14/451
D875,697	S	*	2/2020	Diao	D14/126
D899,387	S	*	10/2020	Lee	D14/126
D912,047	S	*	3/2021	Wang	D14/371
D951,248	S	*	5/2022	Chen	D14/371

* cited by examiner

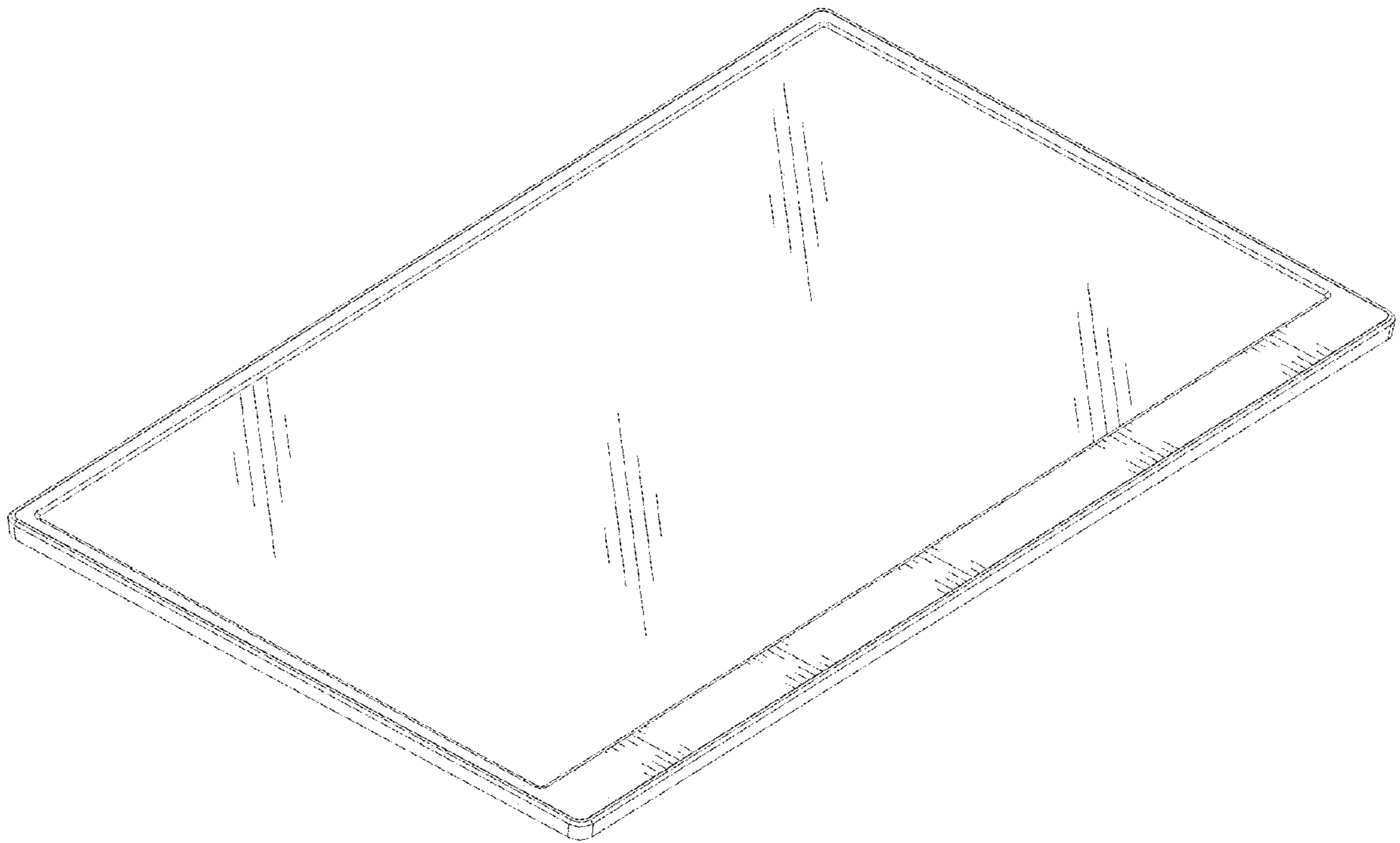


FIG. 1

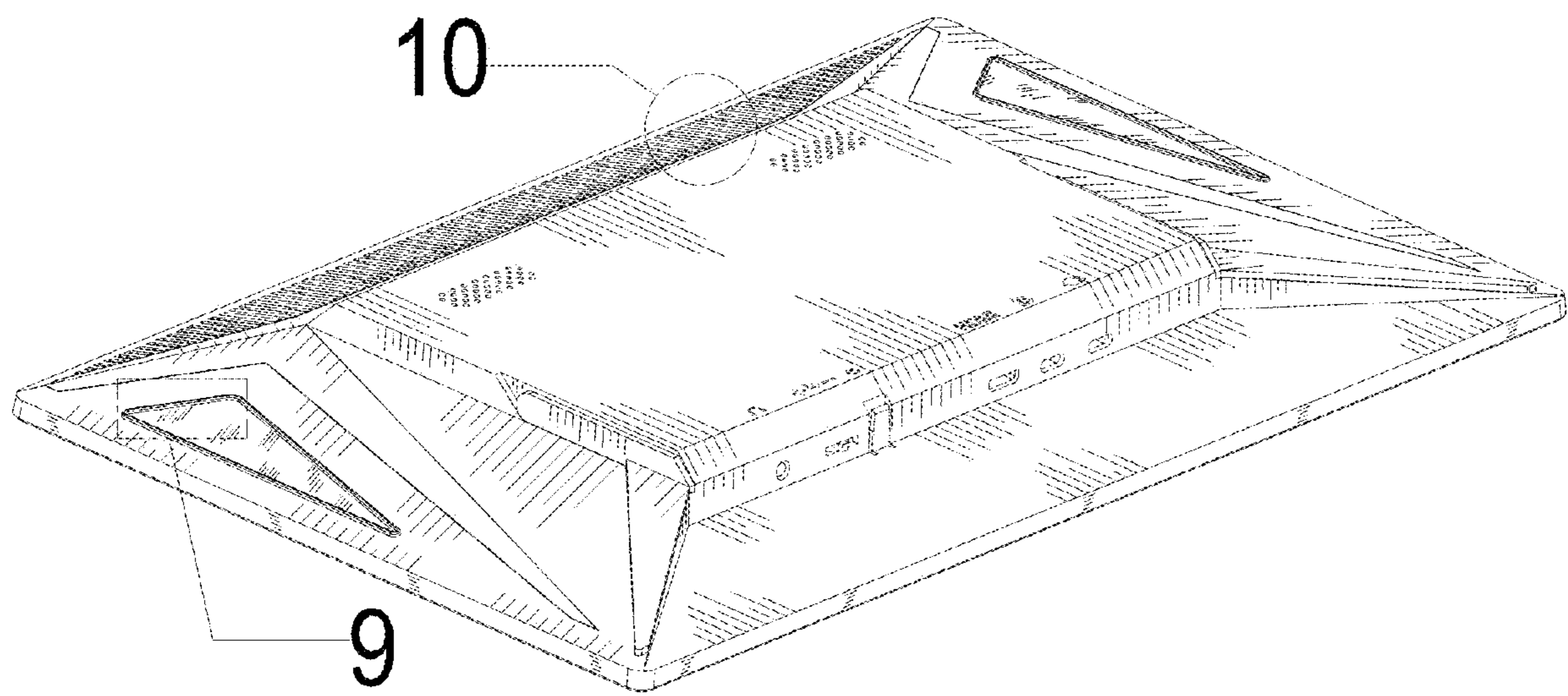


FIG. 2

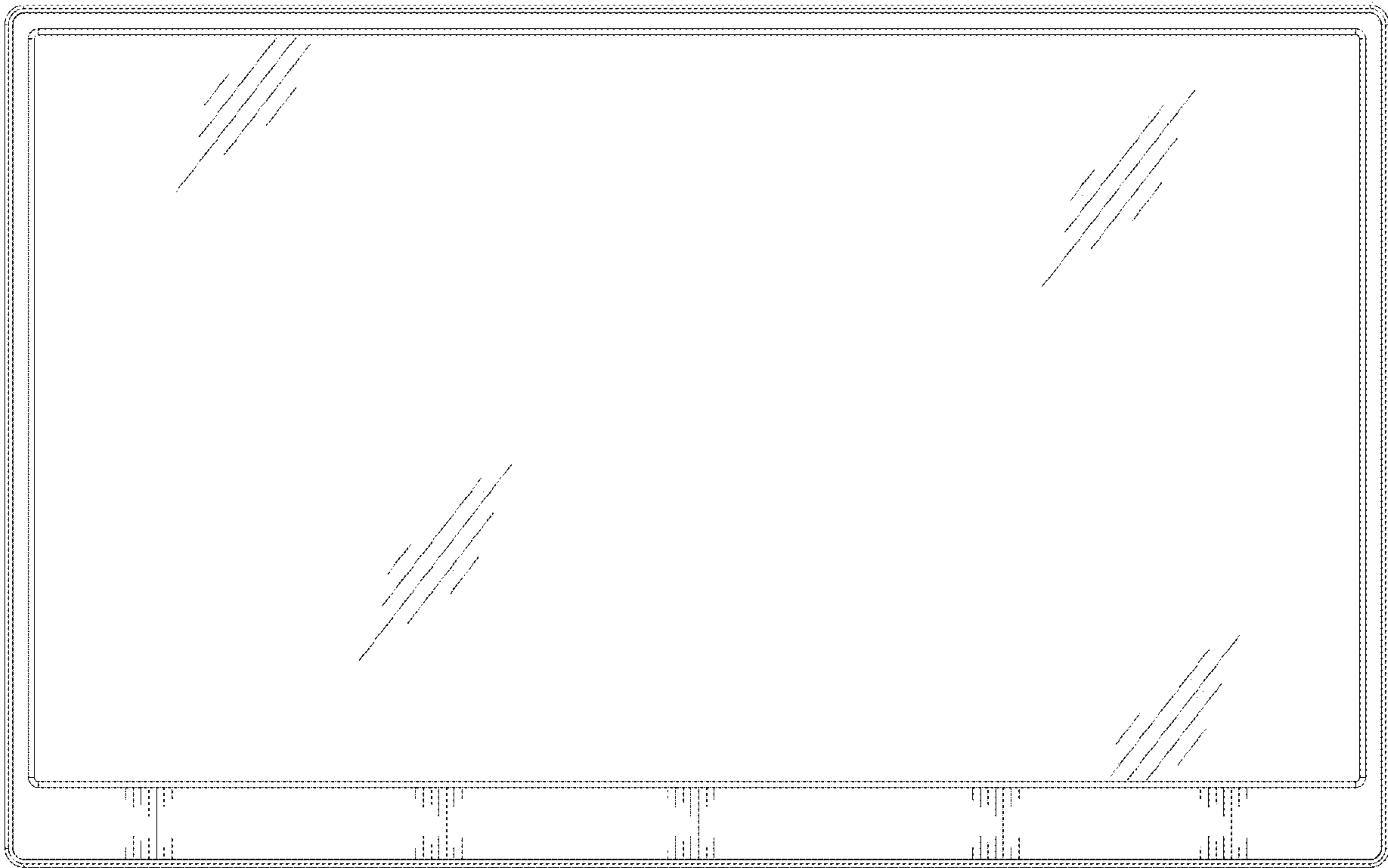


FIG. 3

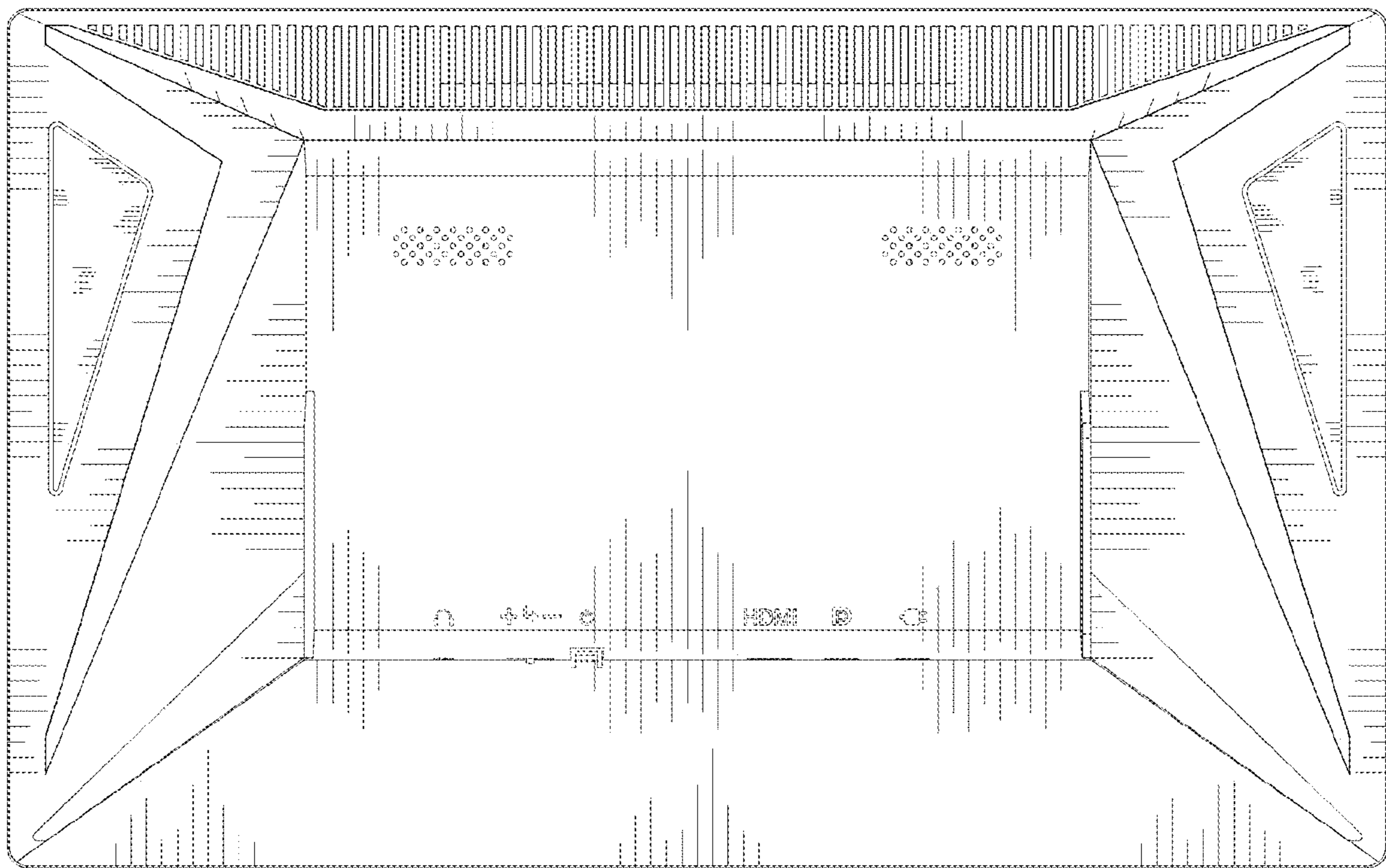


FIG. 4

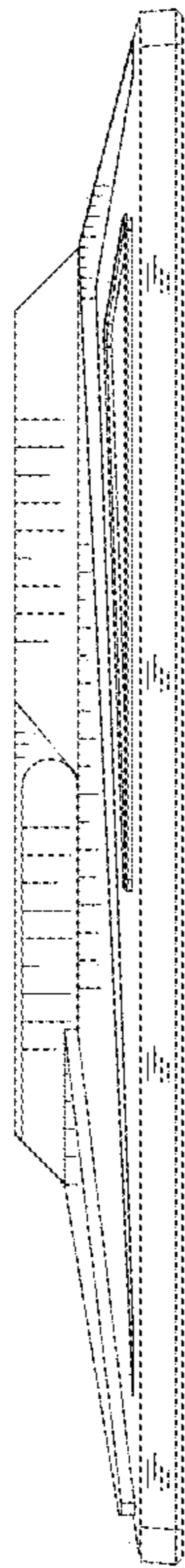


FIG. 5



FIG. 6

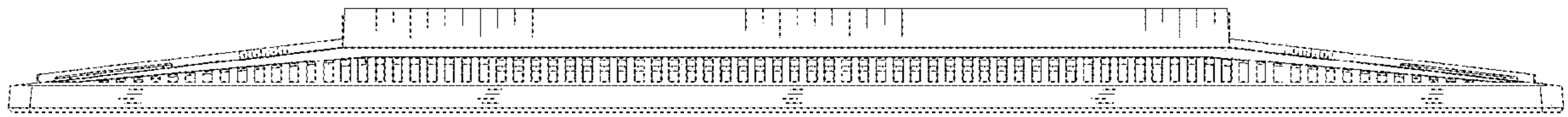


FIG. 7

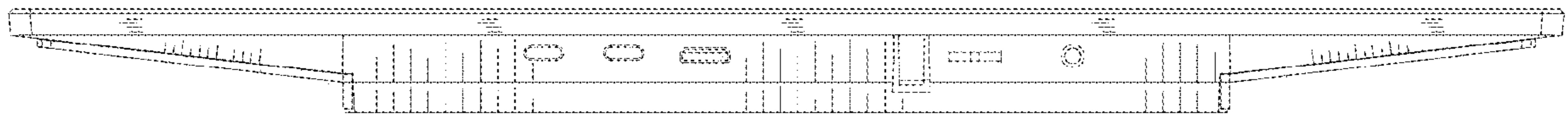


FIG. 8

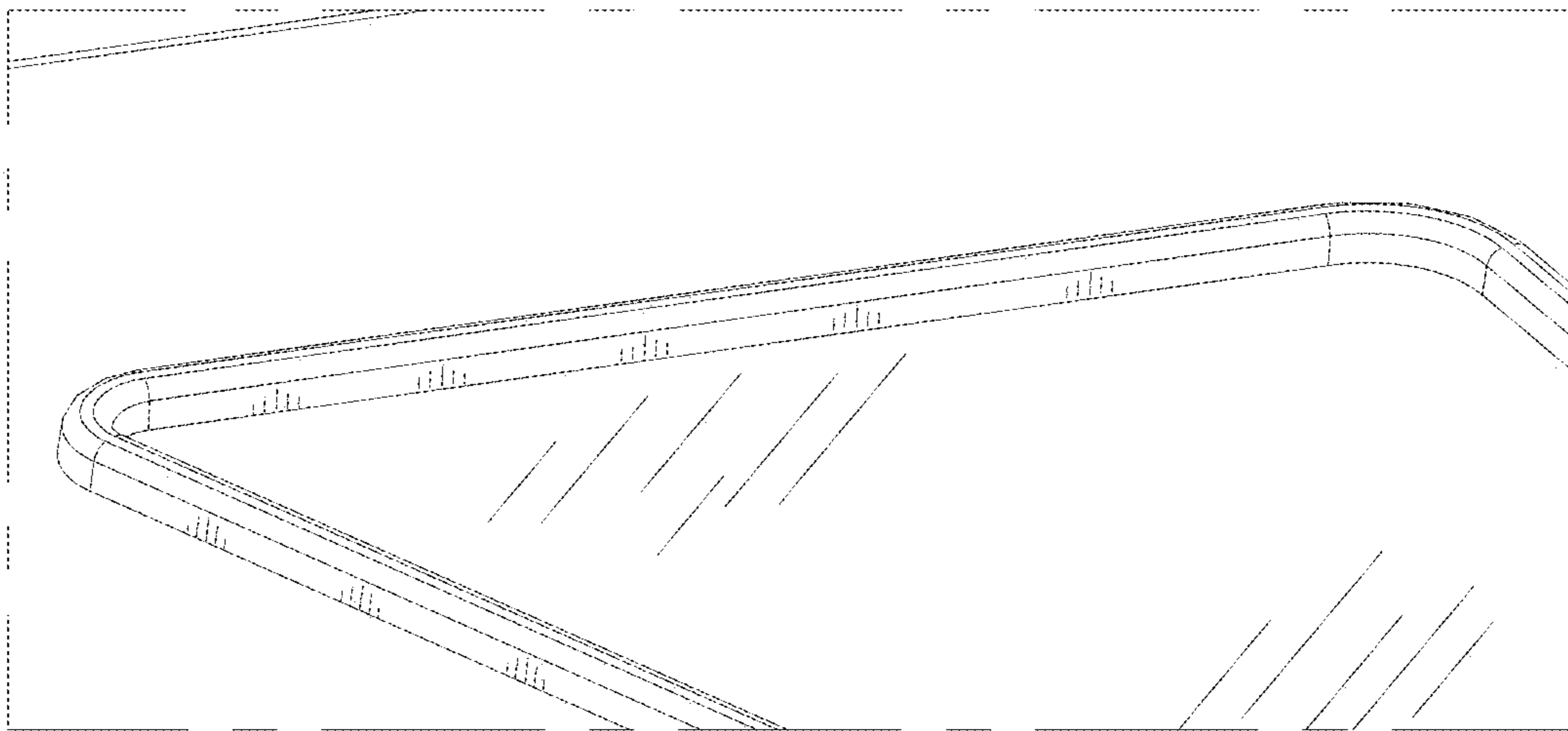


FIG. 9

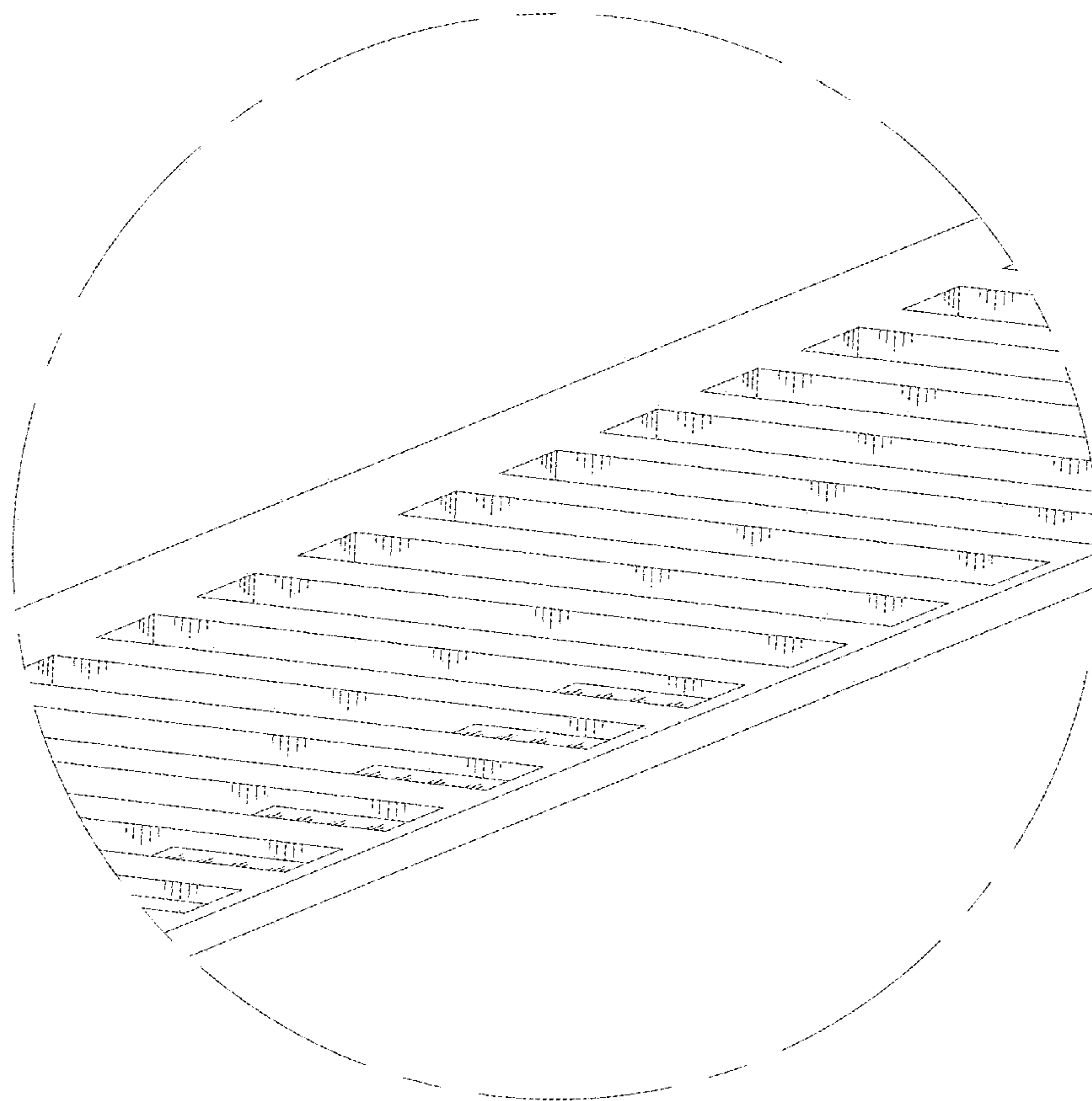


FIG. 10